

2002 JEEP GRAND CHEROKEE (WJ)

PARTS CATALOG

ILLUSTRATION AND TEXT
(CHASSIS - BODY - TRIM)

May 2002

SUPERSEDES
April 2002
ENGLISH



Jeep

CHRYSLER • PLYMOUTH • DODGE • JEEP

THE MOPAR DIFFERENCE

INDEX TO INFORMATION PAGES

The use of this Parts Catalog and the arrangement of information herein is explained in the General Information Section as indexed below.

Abbreviations	INF-13
Alphabetic Index	INF-10
Body Code Plate Interpretation	INF-12
Catalog Groups - Titles & Contents	INF-2
How to Use This Catalog and Locate Parts	INF-8
Illustration Index	INF-10
Illustration Numbering Index	INF-9
Index.....	INF-1
Logical Illustration Index.....	INF-3
Logical Illustrations	INF-9
Numerical Index	INF-10
Page Numbering.....	INF-9
Part Packages	INF-10
Standard Parts.....	INF-10
Symbols Used in this Catalog.....	INF-9
VIN Plate Decoding Information	INF-11

CATALOG GROUPS - TITLES & CONTENT

Group	Content
001	Component Parts for Mopar Accessories
002	Front Suspension & Drive
003	Rear Axle
004	Parking Brake
005	Service Brakes
007	Cooling
008	Electrical
009	Engine Mounting
011	Exhaust
013	Frames and Bumpers
014	Fuel
016	Propeller Shafts and U-Joints
017	Rear Suspension
019	Steering
022	Wheels, Covers and Jacks
024	Air Conditioning & Heater
025	Emission Systems
08A	Instrument Panel and Radios and Consoles
23D	Wiper/Lock Cylinder and Keys
242	Transfer Case Model 242
247	Transfer Case Model 247
4.0L	Engine 4.0L Six Cylinder
4.7L	Engine 4.7L Eight Cylinder
42RE	Automatic Transmission 4 Speed
45RFE	Automatic Transmission Multi-Speed
DWJ	Doors and Related Parts
EWJ	Exterior Ornamentation
IWJ	Interior Trim
SWJ	Body Sheet Metal Except Doors

LOGICAL ILLUSTRATION INDEX

Group	Logical Illustration	Logical Illustration Name
001	100	Audio & Electronics
001	200	Carriers & Cargo Hauling
001	300	Driving Convenience
001	500	Exterior Protection
001	600	Fog Lights & Electrical
001	800	Interior Storage
001	900	Security
002	100	Front Suspension
002	200	Front Axle Drive Shafts
002	300	Front Axle Housing
002	400	Front Axle Assembly
002	600	Front Axle Differential
002	800	Front Axle Skid Plate
003	100	Rear Axle
003	200	Differential and Housing
003	300	Rear Axle Vent
003	400	Rear Axle Shafts
004	100	Parking Brake Lever and Cables
005	100	Front Brakes
005	200	Rear Brakes
005	300	Power Brake Booster
005	400	Brake Master Cylinder
005	500	Brake Lines and Hoses
005	600	Brake Pedals
007	100	Radiator and Related Parts
007	200	Water Pump and Related Parts
007	300	Tank, Coolant Engine
007	400	Pulleys and Related Parts
007	500	Drive Belts
007	600	Lines, Transmission Oil Cooler
007	700	Grilles
008	100	Starters
008	1000	Battery Tray and Cables

008	1100	Lamps - Front, Rear and Courtesy
008	1200	Wiring-Engine & Related Parts
008	1300	Wiring-Headlamp to Dash
008	1400	Wiring-Instrument Panel
008	1500	Wiring-Body & Accessories
008	1600	Wiring Repair
008	1900	Spark Plugs-Cables-Coils
008	200	Alternators
008	400	Modules
008	500	Relays
008	600	Sensors
008	700	Single Board Engine Controllers
008	800	Switches
008	900	Horns
009	100	Engine Mounting
011	100	Exhaust System
011	200	Heat Shields
013	200	Front Bumper and Fascia
013	300	Rear Bumper and Fascia
013	600	Trailer Tow
014	100	Tank, Fuel
014	1000	Speed Control
014	1100	Accelerator Pedal
014	200	Fuel Tank Filler Tube
014	300	Fuel Lines
014	400	Fuel Rail
014	500	Fuel Pump and Sending Unit
014	600	Throttle Body
014	700	Throttle Controls
014	800	Air Cleaner
014	900	Air Intake System
016	100	Propeller Shaft
017	100	Rear Suspension
017	200	Rear Stabilizer
019	100	Steering Wheel
019	200	Steering Column

019	300	Steering Gear
019	400	Steering Linkage
019	500	Power Steering Pump
019	700	Power Steering Hoses
022	100	Wheels and Hardware
022	200	Wheel Covers and Center Caps
022	300	Jack Stowage
022	400	Spare Tire Stowage
024	100	Air Conditioner and Heater Units
024	200	Air Conditioner and Heater Plumbing
024	300	Air Conditioner and Heater Controls
024	400	Air Conditioning Compressor
024	500	Air Conditioning Compressor Mounting
024	600	Air Ducts and Outlets
025	100	Emission Labels
025	300	Vacuum Canister
025	400	Emission Harness
08A	100	Instrument Panel
08A	200	Instrument Panel Cluster
08A	300	Radio, Antenna, and Speakers
08A	400	Consoles
23D	100	Lock Cylinders and Keys
23D	200	Windshield Wiper and Washer Systems
23D	300	Rear Wiper and Washer System
242	100	Transfer Case Assembly
242	1200	Gearshift Controls
242	200	Case and Related Parts
242	400	Gear Train
242	900	Fork and Rails
247	100	Transfer Case Assembly
247	1200	Gearshift Controls
247	200	Case and Related Parts
247	400	Gear Train
247	900	Fork and Rails
4.0L	200	Cylinder Head
4.0L	300	Cylinder Block

4.0L	400	Crankshaft, Piston and Torque Converter
4.0L	500	Camshafts & Valves
4.0L	600	Timing Belt and Cover
4.0L	700	Engine Oiling
4.0L	800	Manifolds
4.0L	900	Crankcase Ventilation
4.7L	200	Cylinder Head
4.7L	300	Cylinder Block
4.7L	400	Crankshaft, Pistons and Torque Converter
4.7L	500	Camshafts and Valves
4.7L	600	Timing Belt and Cover
4.7L	700	Engine Oiling
4.7L	800	Manifolds
4.7L	900	Crankcase Ventilation
42RE	100	Transmission Assembly
42RE	1000	Overdrive Gear Train
42RE	1200	Gearshift Controls
42RE	200	Case and Extension
42RE	300	Oil Pump
42RE	400	Gear Train
42RE	500	Bands, Reverse and Kickdown
42RE	700	Valve Body
45RFE	100	Transmission Assembly
45RFE	1200	Gearshift Controls
45RFE	1300	Seal and Shim Packages
45RFE	200	Case and Extension
45RFE	300	Oil Pump
45RFE	400	Gear Train
45RFE	700	Valve Body
DWJ	100	Front Door
DWJ	200	Rear Door
DWJ	500	Exterior Mirror
DWJ	600	Weatherstrips and Seals
EWJ	100	Nameplates
EWJ	200	Moldings and Ornamentation
IWJ	100	Headliner and Visor

IWJ	1000	Lift Gate Trim
IWJ	200	Panel - Mouldings, Scuff Plates
IWJ	300	Carpet and Tonneau Cover
IWJ	400	Door Trim Panels
IWJ	500	Front Seats and Attaching Parts
IWJ	600	Rear Seats and Attaching Parts
IWJ	700	Seat Belts - Front and Rear
IWJ	800	Adjusters, Covers, Shields and Risers
SWJ	1100	Roof Panels
SWJ	1200	Sunroof
SWJ	1300	Liftgate Panel
SWJ	1600	Luggage Rack
SWJ	200	Floor Pans
SWJ	300	Plugs
SWJ	400	Front Fenders
SWJ	500	Hood and Hood Release
SWJ	600	Cowl and Dash Panel
SWJ	700	Glass and Rear View Mirror
SWJ	800	Aperture Panel
SWJ	900	Quarter Panel and Pillars

HOW TO USE THIS CATALOG AND LOCATE PARTS

This Catalog is divided into Part Groups in which illustrations for parts of a similar function and/or location are published. The Group contents listing on the next page shows the type of parts contained in each group. Tabs are provided or available to separate each group.

Several methods may be used to locate a specific part:

Option 1: From the Group Contents listing. Select the group which would most logically contain the part to be found. Open the catalog to the beginning of that group. The first page of the group will contain the part. Turn to the selected illustration and locate the part by reviewing the illustration item numbers and associated text information following the illustration.

Option 2: If the "noun" name of the part you seek is known, an alphabetical index of Nouns and illustration titles is provided to assist in finding the part. Several keys may be found in this index.

RESERVOIR, Power Steering Oil Pump Group 19	Group Reference
ALTERNATOR All Engines 8-210	Illustration Reference
BELT, Front Seat Imdl/710/3	Illustration/Item Reference

Group by Model _____	}
Illustration Number _____	
Item _____	

Option 3: If the part number is known but the applications need to be determined, refer to the numerical index. This index shows the group, illustration number and each part listed in the catalog. Multiple references mean the part is listed more than once.

Option 4: Other options such as group identifiers exist in these catalogs. For Example, Group 23 Body has been broken in sections, i.e. 23A Sheet Metal now is S(model code). Example: SGS for model GS. Group 23C Doors now is D(model code) ex. DGS. Group 23 Exterior Ornamentation now is E(model code). This same logic applies to the Interior Trim Section (ex. IGS).

The Group 9 Engine sections in prior parts catalogs had been numbered 9A, 9B, 9C, etc. There was no real meaning to this numbering scheme. In this new MACS produced catalog the group numbering scheme is as follows: 2.5LD means 2.5 Liter Diesel Engine; 2.0L means 2.0 Liter Four Cylinder Gas Engine; 3.3L6T means 3.3 Liter Six Cylinder Transverse Mounted Engine; and 3.8L means 3.8 Liter Six Cylinder Engine. Also note that Engine Mounting parts are located in Group 9.

PAGE NUMBERING

Two-part page numbers are used throughout this catalog. The first part of the page designation indicates one major group or section. The second part indicates the actual page number in the group. For example:

2-1 indicates Group 2, Front Suspension, Page 1

3-4 indicates Group 3, Axle Rear, Page 4

In the maintenance of the Loose Leaf Parts Catalog Revision Service, it may become necessary to add information beyond the capacity of the page. In this event, an "A" page will be used. For example, if it becomes necessary, because of change, to add several part numbers to page 2-1 and space does not permit the addition, you will be given Page 2-1A. Page 2-1A should be filed immediately following Page 2-1.

Figure and Item Numbers are also commonly used to identify locations in the Catalog, i.e., 14-910/8 refers to Group 14, illustration 910, Item Number 8. Illustration Numbers are always ascending sequential within the Groups.

SYMBOLS USED IN THIS CATALOG

The Following symbols are commonly used with Part Number and Quantity information in this Catalog:

AR - Indicates the quantity required may vary or is to be determined by the user.

PAR - Indicates "Paint As Required"

BLANK - Indicates "All Condition"

- = "Not Illustrated"

LOGICAL ILLUSTRATIONS

Refer to Illustration in front of each group. This will give assistance to as how each group is broken down and what Specific Illustration should be referenced.

ILLUSTRATION NUMBERING INDEX

Illustration numbers in this Catalog are Group standards. This indicates group and consistent content. EXAMPLE: 8-100 is a Logical Illustration for Starters. 8-101 to 8-199 are Specific Illustrations used for Starters for all Catalogs. 8-200 will contain Alternators for all Catalogs and so on. Always refer to group index in front of each group.

ILLUSTRATION INDEX

This index is a compilation of catalog parts description data with reference to illustrations, figures and key numbers as shown:

Fender ic; Model.....Group: S(Model)Illustration 410
(Fender is located in Sheet Metal Section (S) in Illustration 410)

The first page of each group contains a listing of all illustrations and group breakdown within that group. Also refer to illustrations alphabetically listed in information section.

ALPHABETIC INDEX

This index is a compilation of catalog parts description data with a reference to the location of the item by Group, Figure, and Key Number as shown in the following example:

Housing, w/Pump.....Group 7 Illustration 210 Item 10
(Housing, w/Pump.....7-210/10)

The index will be expanded progressively as data is added to computer files. To locate a part by name refer to the Alphabetical Index. This index indicates the group and illustration and item number where the part is located. Alphabetical Index can be found in INF section of this Catalog.

NUMERICAL INDEX

A listing of Part Numbers contained in the catalog. The numbers are in numerical sequence with reference to the group and Illustration and item number where the part is located.

PARTS PACKAGES

Service Parts Packages, containing all parts needed for specific service operation, are listed in their respective groups with related parts. The listing will show adaptability and model application.

STANDARD PARTS

Important attaching standard parts such as bolts, nuts, etc, are generally listed in the text of the respective major parts groups.

VIN PLATE DECODING INFORMATION

1	2	3	4	5	6	7	8	9	10	11	12 thru 17
Country	Make	Vehicle Type	Other	Line	Series	Body Style	Engine	Check Digit	Model Year	Assy. Plant	Sequence No.

The following table interprets the VIN Plate positions shown above.

Position	Interpretation	Codes = Description
1	Country of Origin	1 = Built in United States by DaimlerChrysler Corp
2	Assembler	J = Jeep
3	Vehicle type	4 = Multipurpose Passenger Vehicle
4	GVWR & Pass. Safety	D = 1 - 3000lbs (0-1360KGS) E = 3001-4000lbs (1361-1814KGS) F = 4001-5000lbs (1815-2267KGS) G = 5001-6000lbs (2268-2721KGS) H = 6001-7000lbs (2722-3175KGS) J = 7001-8000lbs (3176-3628KGS) K = 8001-9000lbs (3629-4082KGS) L = 9001-10000lbs (4083-4535KGS) M = 10001-14000lbs (4536-6350KGS)
5	Vehicle Line	2 = Grand Cherokee 4x2 (LHD) W = Grand Cherokee 4x4 (LHD)
6	Series	3 = Sport 4 = Laredo - High Line 5 = Limited - Premium 6 = Overland
7	Body Style	8 = 4 Dr. Sport Utility
8	Engine	S = 4.0L 6 Cyl. Gas (ERH) N = 4.7Liters 8 Cyl (EVA)
9	Check Digit	
10	Model Year	2 = 2002
11	Assembly Plant	C = Jefferson North Assembly
12 thru 17	Vehicle Build Sequence	Model Year Assembly Sequence

BODY CODE PLATE INTERPRETATION

The Body Code Plate is located on the Left Front Side Shield or Wheel Housing or the Upper Radiator Support. The Plate contains 7 rows of data. The bottom 3 rows are reserved for the specific information as depicted below. Starting at the fourth row (following the reserved portion), other Sales Codes used to build a specific vehicle are listed in the ascending order by ALPHA sequence.

1	2	3	4	5	6	7	8	9	10	11	12	13	14	15	16	17	18	19	20	21	
22	23	24	25	26	27	28	29	30	31	32	33	34	35	36	37	38	39				
40	41	42	43	44	45	46	47	48	49	50	51	52	53	54	55	56	57	58	59	60	

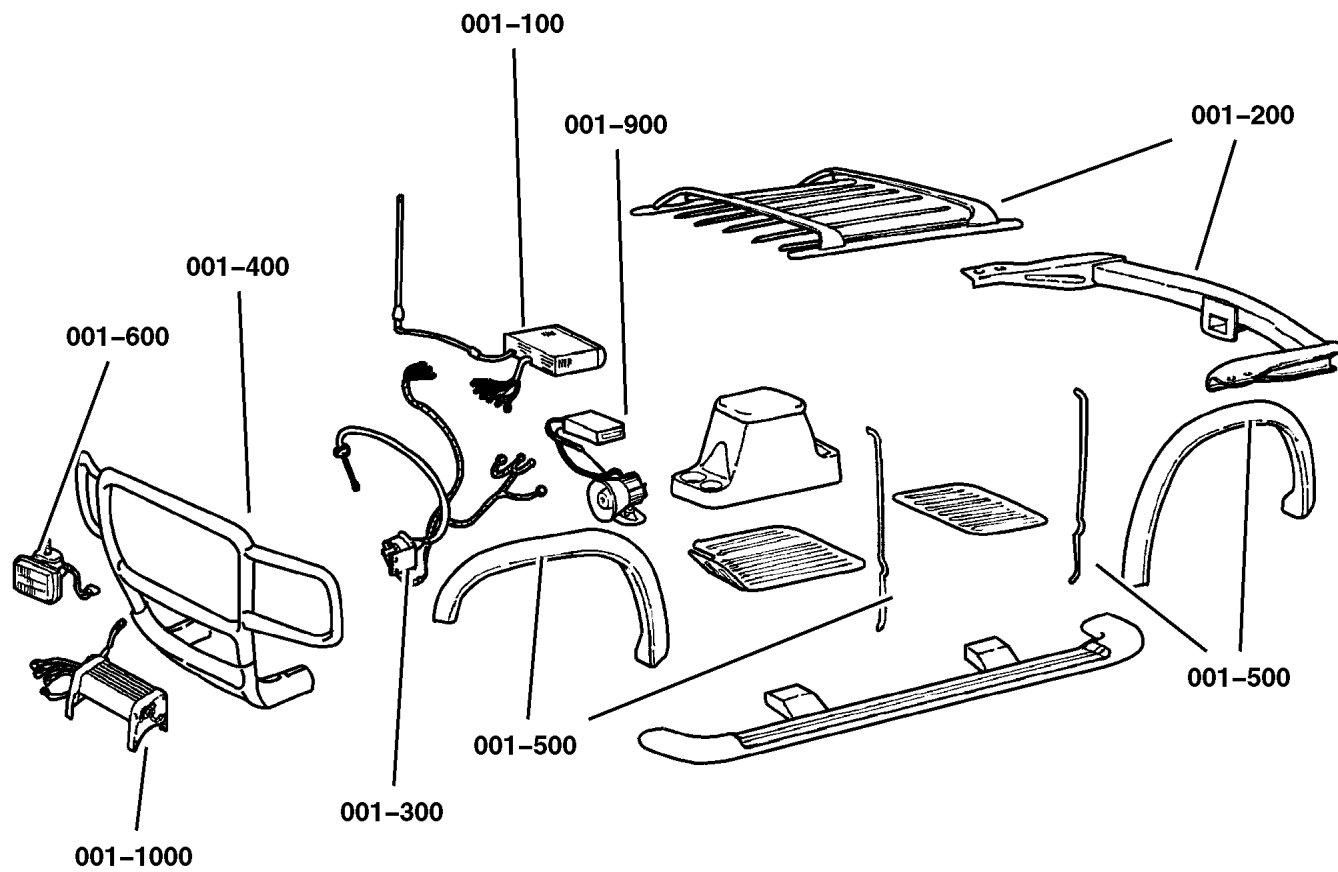
1-12	VEHICLE ORDER NUMBER
13-15	VINYL ROOF CODE/DOOR COMBO CODES
16-18	VEHICLE SHELL CAR LINE
19	PRICE CLASS
20-21	BODY TYPE
22-24	PAINT PROCEDURE
25-28	PRIMARY PAINT
29-32	SECONDARY PAINT
33-36	INTERIOR TRIM CODE
37-39	ENGINE CODES
40-42	TRANSMISSION CODES
43	MARKET CODES
44-46	VEHICLE IDENTIFICATION NUMBER (VIN) For definition of the Elements and the individual position see Vin Plate Defined.

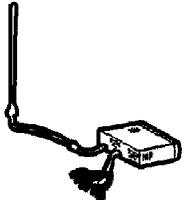
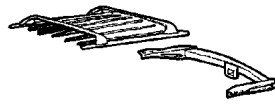

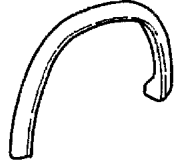



ABBREVIATIONS

A/C	Air Conditioner
ABS	Anti-Lock Brakes System
AR	As Required
ATC	Automatic Temperature Control
AWD	All Wheel Drive
BUX	Built Up Export
CV	Constant Velocity
DOHC	Dual (or Double) OverHead Cam
EFI	Electronic Fuel Injection
EGR	Exhaust Gas Recirculation
ECU	Electronic Control Unit
FWD	Front Wheel Drive
HEX	HEXagon
HCU	Hydraulic Control Unit
I/D	Inside Diameter
L	Liter
LED	Light Emitting Diode
MAP	Manifold Absolute Pressure
MPH	Miles Per Hour
O/D	Outside Diameter
P/S	Power Steering
PSI	Pounds per Square Inch
PSF	Pounds per Square Foot
PRNODL	Park, Reverse, Neutral, Overdrive, Drive, Low
PRNDL	Park, Reverse, Neutral, Drive, Low
PTO	Power Take Off
RFI	Radio Frequency Interference
RPM	Revolutions Per Minute
RTV	Room Temperature Vulcanizer (sealant)
T/BODY	Throttle BODY
U/BODY	Under BODY
SOHC	Single OverHead Cam
PAR	Paint As Required

Group - 001

Component Parts for Mopar Accessories



<p>001-100 Audio & Electronics</p> 	<p>001-200 Carriers & Cargo Hauling</p> 	<p>001-300 Driving Convenience</p> 	<p>001-500 Exterior Protection</p> 
<p>001-600 Fog Lights & Electrical</p> 	<p>001-800 Interior Storage</p> 	<p>001-900 Security</p> 	

GROUP 1 - Component Parts for Mopar Accessories

Illustration Title

Group-Fig. No.

Audio & Electronics

Player Kit 10-Disc Fig. 001-115

Navigation Kit Fig. 001-140

Carriers & Cargo Hauling

Bike Carrier - Hitch Mount 2 Bikes Fig. 001-210

Bike Carrier - Hitch Mount 4 Bike Fig. 001-211

Bike Carrier - Roof Fork Mount Fig. 001-212

Bike Carrier - Roof Upright Mount Fig. 001-214

Carrier Kit - Canoe Fig. 001-220

Carrier Kit - Water Sports Fig. 001-222

Carrier Kit - Ski, Hitch Mount Fig. 001-230

Carrier Kit - Ski (Four Pair) Roof Mount Fig. 001-234

Carrier Kit - Ski (six Pair) Roof Mount Fig. 001-236

Box Kit - Storage (Interior) Fig. 001-260

Luggage Carrier - Roof Mount Fig. 001-274

Adapter Kit - Ball Mount Fig. 001-282

Driving Convenience

Mounting Kit - Cellular Phone Fig. 001-310

Filter Kit - Cabin Air Fig. 001-315

Exterior Protection

Shield Kit, Air Front Fig. 001-510

Skid Plate Package - Front Fig. 001-520

Skid Plate Package - Transfer Case Fig. 001-522

Fog Lights & Electrical

Heater Kit Fig. 001-610

Light Package - Fog Fig. 001-615

Interior Storage

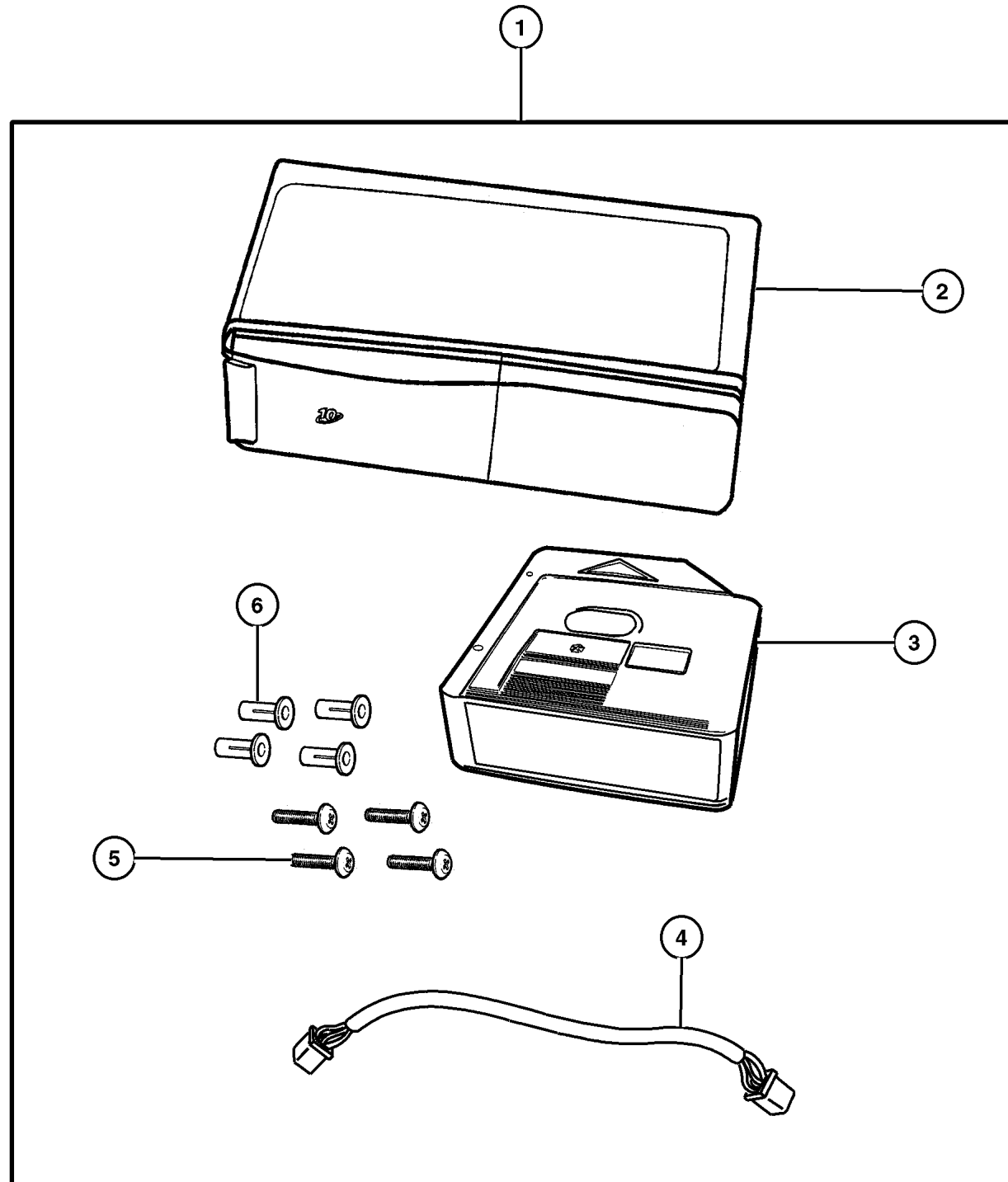
Console Package - Rear Fig. 001-810

Guard Kit - Dog Fig. 001-820

Security

Alarm - EVS Plus System Fig. 001-914

Player Kit 10-Disc
Figure 001-115



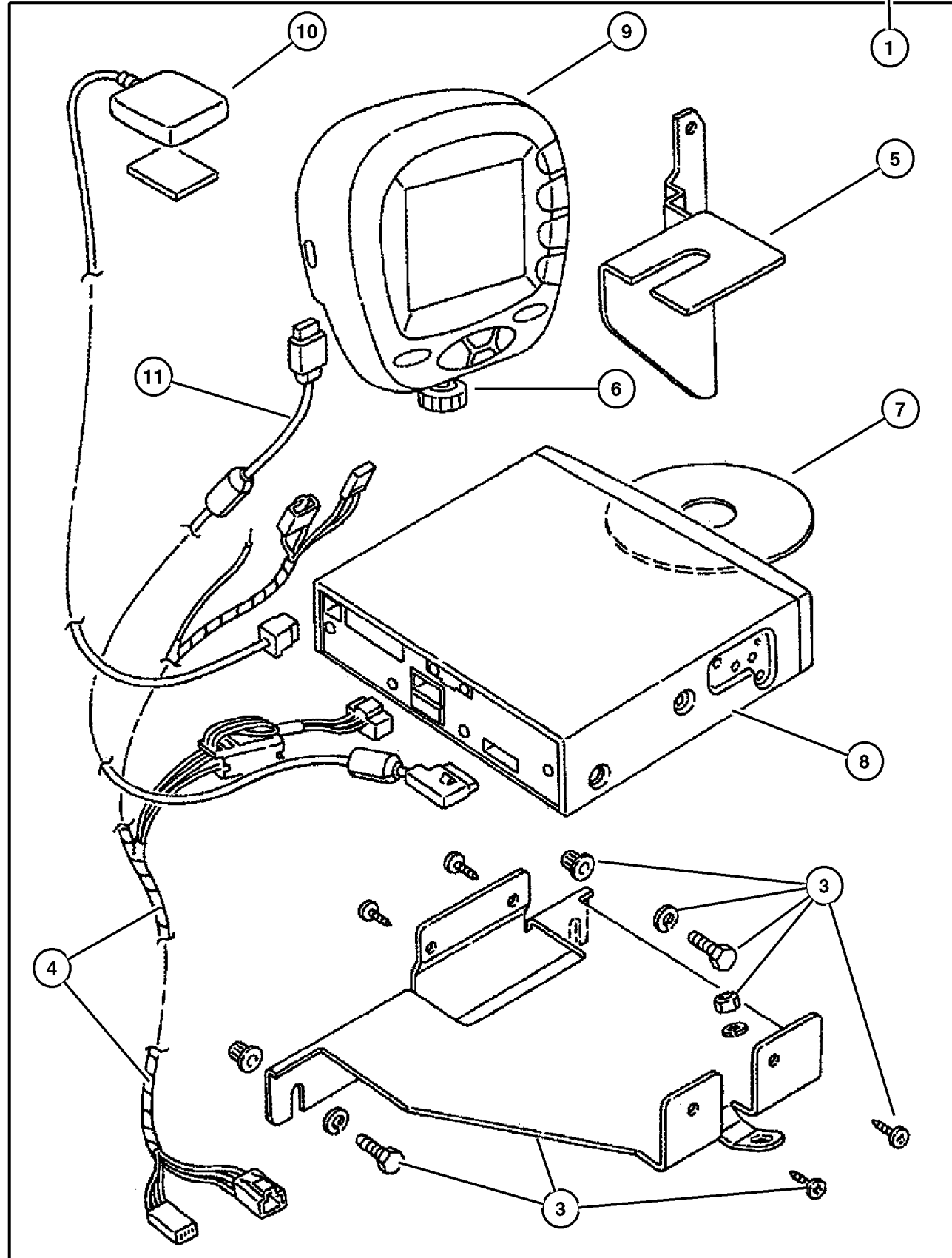
ITEM	PART NUMBER	QTY	LINE	BODY	DESCRIPTION
1	#8220 7521	1		74	PLAYER KIT, CD Changer - 10 Disc
2	56042 129AC	1		74	CHANGER, CD
3	4858 564	1		74	MAGAZINE, CD Changer
4	#5080 971AA	1		74	CABLE, CD Changer
5	6100 047	4			NUT AND WASHER, Hex Nut-Coned Washer, M6 x 1.00
6	6505 002AA	4			STUD

JEEP GRAND CHEROKEE (WJ)				
SERIES	LINE	BODY	ENGINE	TRANSMISSION
H = Laredo	J = 4WD	74 = 4 Door	ERH = 4.0L, Power Tech I-6	DGK = 4 Speed Autm, 42RE
M = Sport	T = 2WD		EVA = 4.7L, Power Tech V8	DGQ = 5 Speed Automatic, 45RFE
P = Limited			EVC = 4.7L HO V8 MPI	DG0 = All Automatic Transm
S = Overland			ERO = All 4.0L 6 Cyl Gas	
			EVO = All 4.7l Gas	

AR = Use as required - = Non illustrated part # = New this model year

May 1, 2002

Navigation Kit
Figure 001-140



ITEM	PART NUMBER	QTY	LINE	BODY	DESCRIPTION
NOTE:					
For warranty orders of items 8 and 9, use a Z prefix through function 11.					
1					NAVIGATION KIT, Vehicle
	#8220 7573	1			Western U.S.
	#8220 7574	1			Central U.S.
	#8220 7575	1			Eastern U.S.
-2	8220 7572	1		74	INSTALL KIT, Vehicle Navigation System, Contains items 3 thru 6
3					BRACKET, Navigation Controller, Serviced in Install Kit, (NOT SERVICED)
4					WIRING, Navigation System, Serviced in Install Kit, (NOT SERVICED)
5	5017 422AA	1		74	BRACKET, Navigation Display, Also Serviced in Install Kit
6	5019 727AA	1		74	SCREW, Thumb, Also Serviced in Install Kit
7					COMPACT DISC, Navigation
	5017 415AB	1	J, T	74	Western U.S.
	5017 416AB	1	J, T	74	Central U.S.
	5017 417AB	1	J, T	74	Eastern U.S.
8	5017 419AB	1			CONTROLLER, Vehicle Navigation
9	5017 418AA	1			MODULE, Navigation Display
10	5017 420AA	1			ANTENNA, Global Positioning
11	5017 433AA	1			WIRING, Navigation Display

JEEP GRAND CHEROKEE (WJ)

SERIES	LINE	BODY	ENGINE	TRANSMISSION
H = Laredo	J = 4WD	74 = 4 Door	ERH = 4.0L, Power Tech I-6	DGK = 4 Speed Autm, 42RE
M = Sport	T = 2WD		EVA = 4.7L, Power Tech V8	DGQ = 5 Speed Automatic, 45RFE
P = Limited			EVC = 4.7L HO V8 MPI	DG0 = All Automatic Transm
S = Overland			ERO = All 4.0L 6 Cyl Gas	
			EVO = All 4.7I Gas	

AR = Use as required - = Non illustrated part # = New this model year

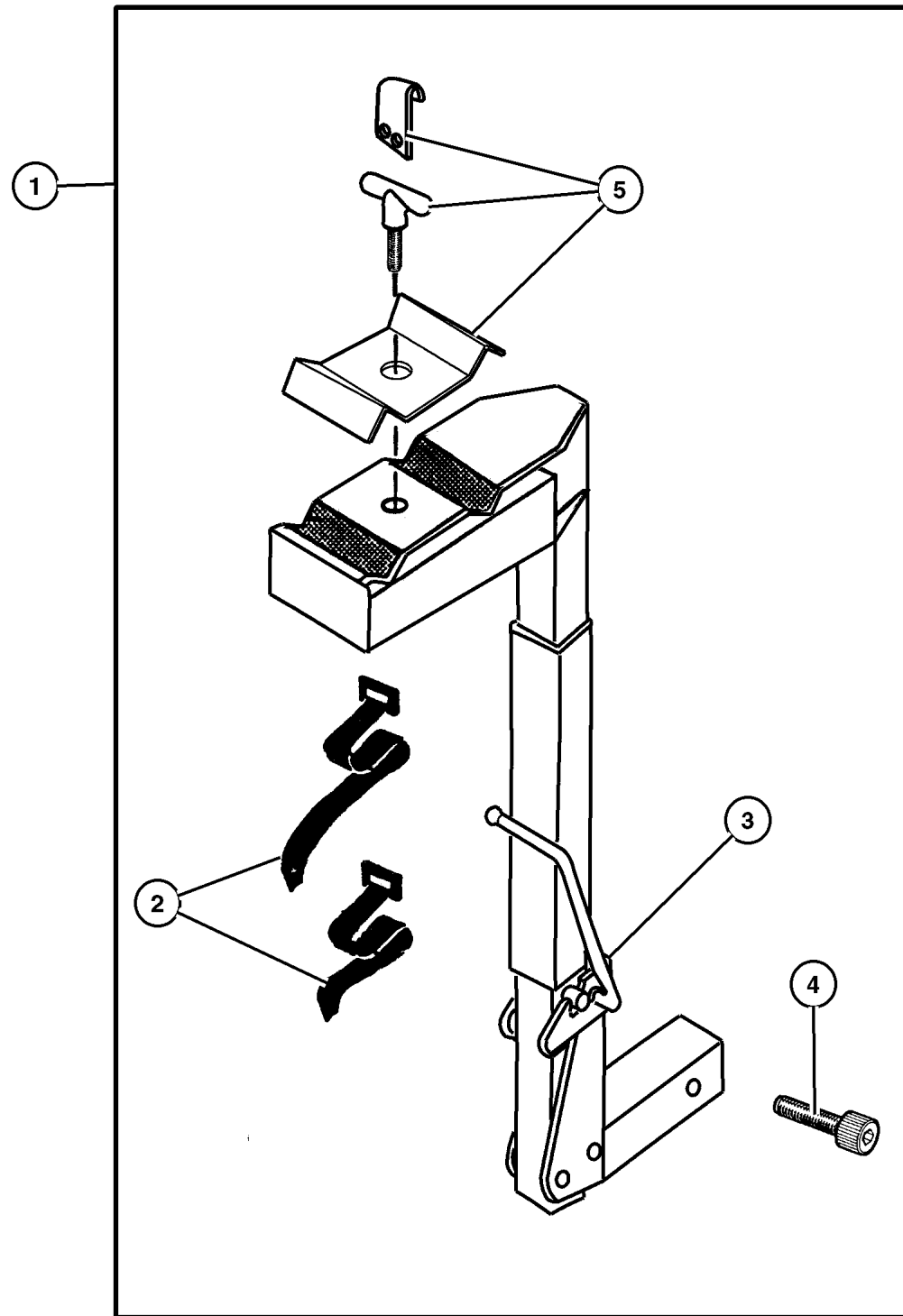
May 1, 2002

Bike Carrier - Hitch Mount 2 Bikes
Figure 001-210

ITEM	PART NUMBER	QTY	LINE	BODY	DESCRIPTION
------	-------------	-----	------	------	-------------

NOTE: Folds down for access to rear hatch, has anti theft bolts.

1	8220 4453	1	J, T	74	CARRIER KIT, Bike, 2.0 inch Receiver
2	4762 880	1	J, T	74	STRAP KIT, Velcro, Contains: 1-Long and 1-Short Strap
3	5016 775AA	1	J, T	74	STRAP KIT, Bike Carrier Latch, Contains: 2-Rubber Straps
4	5016 776AA	1	J, T	74	BOLT KIT, Security, Contains: Bolt, Wrench, Washer and Nut
5	5018 825AA	1	J, T	74	HARDWARE KIT, Bike Carrier, Contains: T-Handle, Lock Strap, Top Clamp and Washer



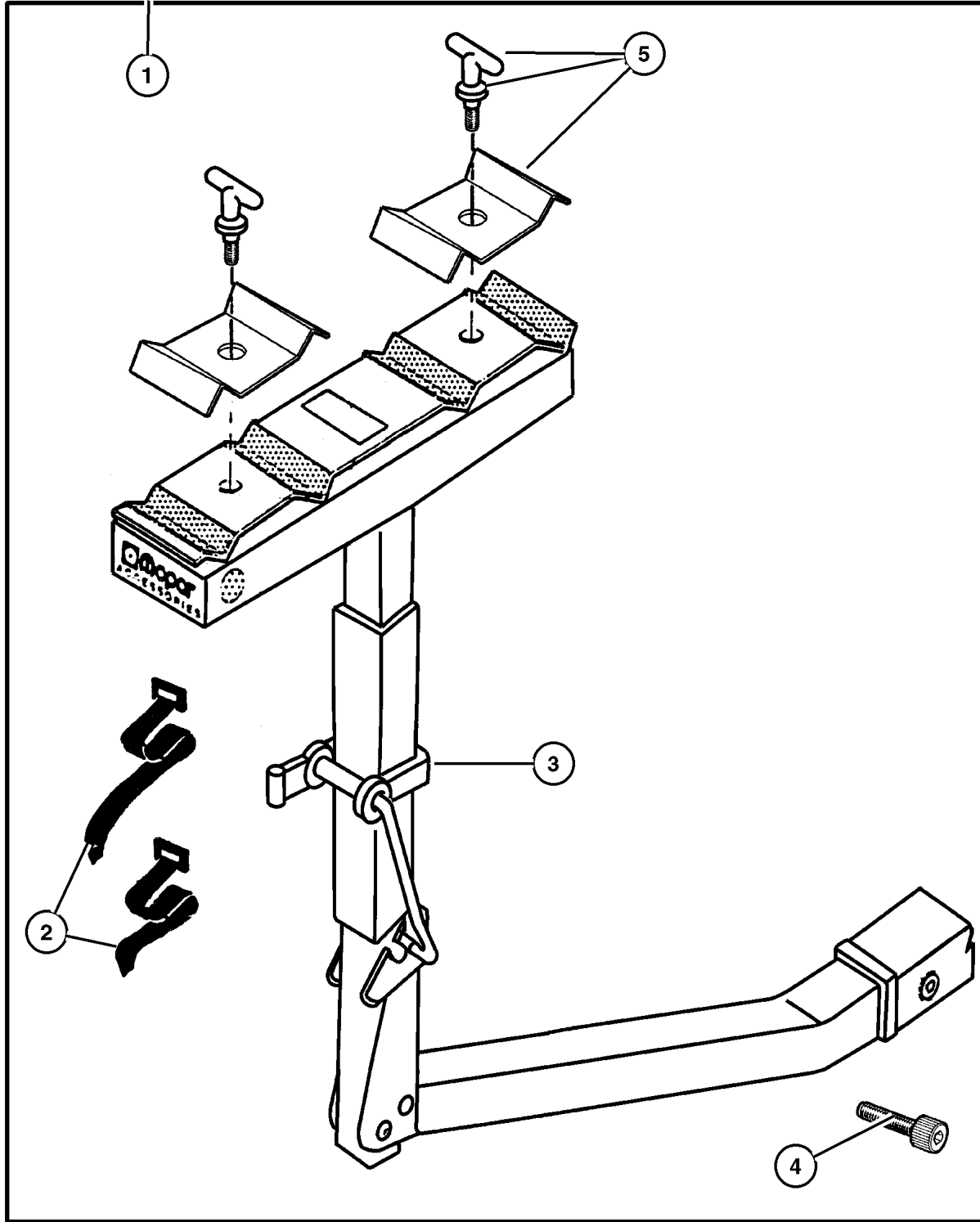
JEEP GRAND CHEROKEE (WJ)

SERIES	LINE	BODY	ENGINE	TRANSMISSION
H = Laredo	J = 4WD	74 = 4 Door	ERH = 4.0L, Power Tech I-6	DGK = 4 Speed Autm, 42RE
M = Sport	T = 2WD		EVA = 4.7L, Power Tech V8	DGQ = 5 Speed Automatic, 45RFE
P = Limited			EVC = 4.7L HO V8 MPI	DG0 = All Automatic Transm
S = Overland			ERO = All 4.0L 6 Cyl Gas	
			EVO = All 4.7l Gas	

AR = Use as required - = Non illustrated part # = New this model year

May 1, 2002

Bike Carrier - Hitch Mount 4 Bike
Figure 001-211



ITEM	PART NUMBER	QTY	LINE	BODY	DESCRIPTION
1	8220 4328	1	J, T	74	CARRIER KIT, Bike, 2-Inch Receiver, Four Bike
2	4762 880	1	J, T	74	STRAP KIT, Velcro, Contains: 1-Long and 1-Short Strap
3	5016 775AA	1	J, T	74	STRAP KIT, Bike Carrier Latch, Contains: 2-Rubber Straps
4	5016 776AA	1	J, T	74	BOLT KIT, Security, Contains: Bolt, Wrench, Washer and Nut
5	5018 825AA	1	J, T	74	HARDWARE KIT, Bike Carrier, Contains: t-Handle, Lock Strap, Top Clamp and Washer

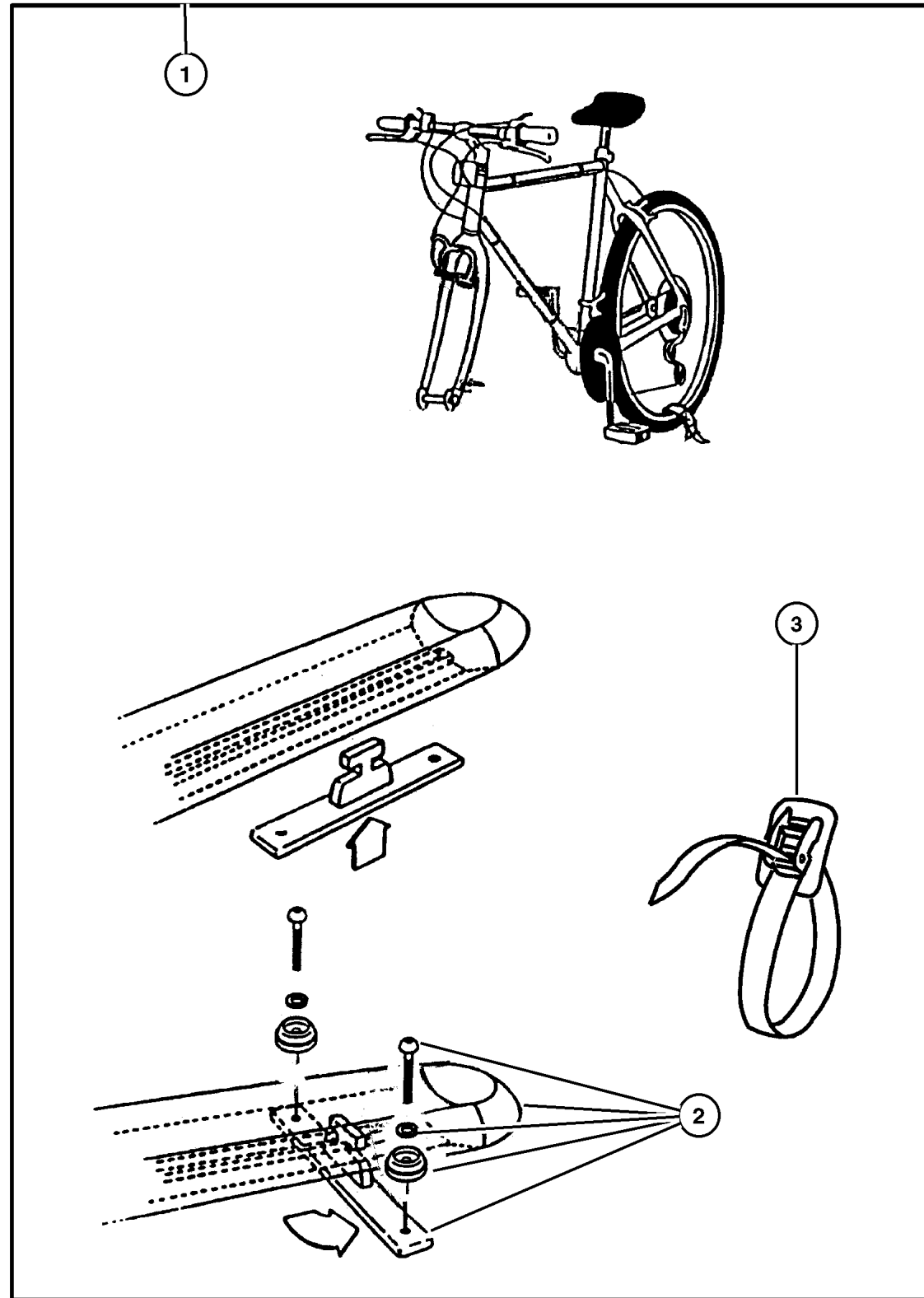
JEEP GRAND CHEROKEE (WJ)

SERIES	LINE	BODY	ENGINE	TRANSMISSION
H = Laredo	J = 4WD	74 = 4 Door	ERH = 4.0L, Power Tech I-6	DGK = 4 Speed Autm, 42RE
M = Sport	T = 2WD		EVA = 4.7L, Power Tech V8	DGQ = 5 Speed Automatic, 45RFE
P = Limited			EVC = 4.7L HO V8 MPI	DG0 = All Automatic Transm
S = Overland			ERO = All 4.0L 6 Cyl Gas	
			EVO = All 4.7l Gas	

AR = Use as required - = Non illustrated part # = New this model year

May 1, 2002

Bike Carrier - Roof Fork Mount
Figure 001-212

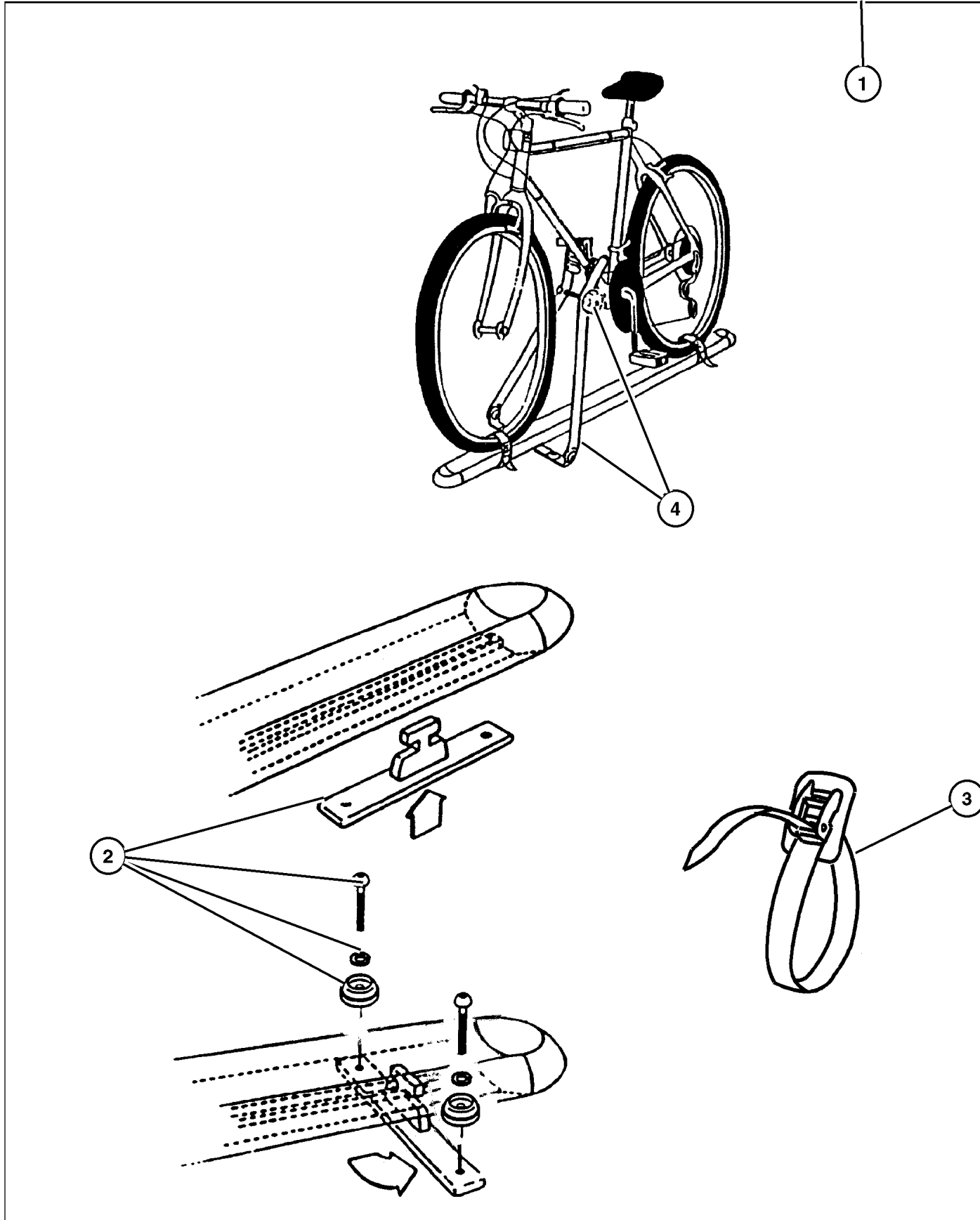


ITEM	PART NUMBER	QTY	LINE	BODY	DESCRIPTION
NOTE: Hardware Kit also contained in Carrier Kit.					
1	8230 0585	1	J, T	74	CARRIER KIT, Bike
2	5093 779AA	1	J, T	74	HARDWARE KIT, Accessory, Contains: T-Slot Anchors and Bar, Screws, Lockwashers and Dome Washers
3	5016 513AA	1	J, T	74	STRAP, Cargo Tie Down, Contains: 2-Straps
-4	5066 632AA	1	J, T	74	TOOL, Screw Driver

JEEP GRAND CHEROKEE (WJ)				
SERIES	LINE	BODY	ENGINE	TRANSMISSION
H = Laredo	J = 4WD	74 = 4 Door	ERH = 4.0L, Power Tech I-6	DGK = 4 Speed Autm, 42RE
M = Sport	T = 2WD		EVA = 4.7L, Power Tech V8	DGQ = 5 Speed Automatic, 45RFE
P = Limited			EVC = 4.7L HO V8 MPI	DG0 = All Automatic Transm
S = Overland			ERO = All 4.0L 6 Cyl Gas	
			EVO = All 4.7I Gas	

AR = Use as required - = Non illustrated part # = New this model year

Bike Carrier - Roof Upright Mount
Figure 001-214



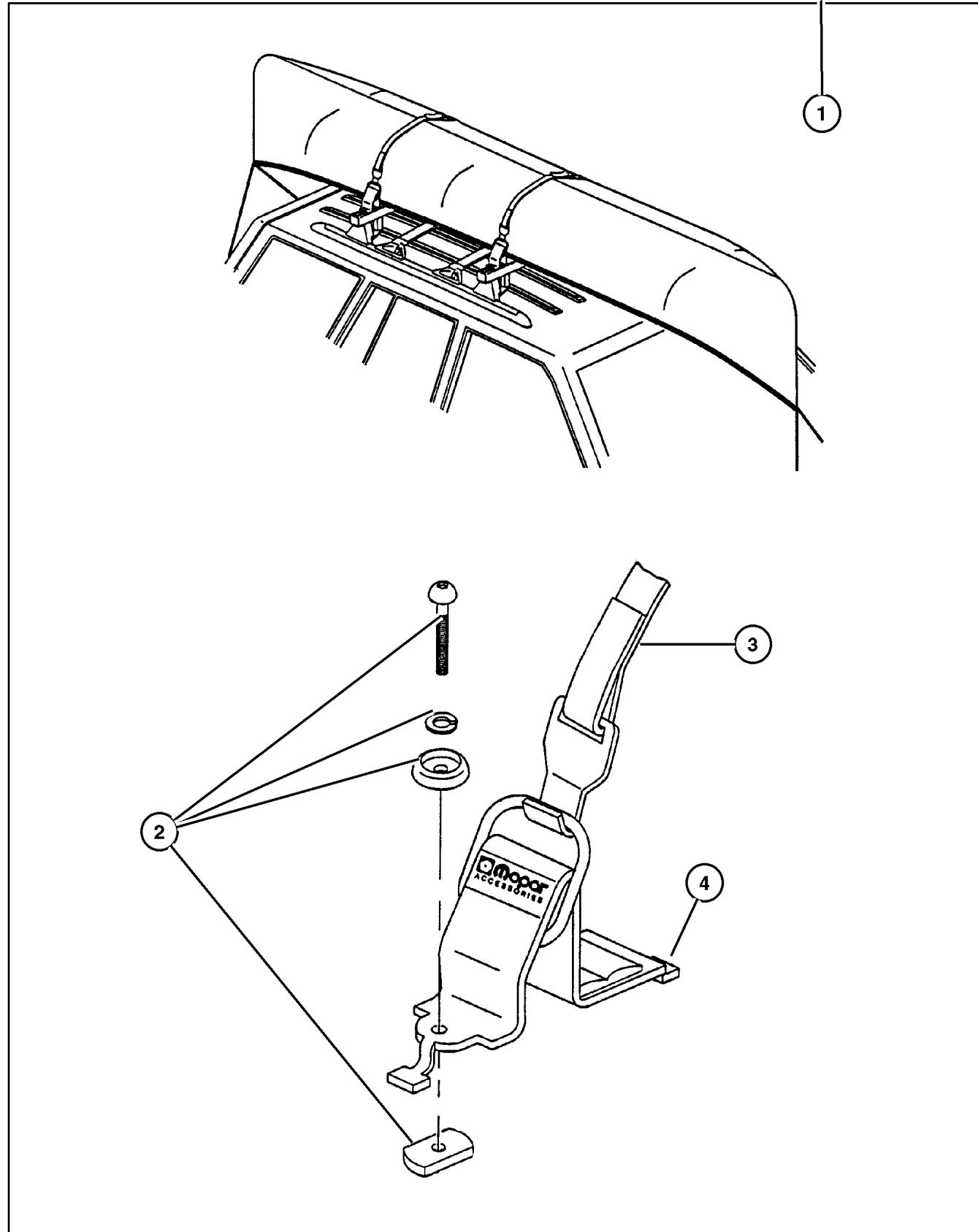
ITEM	PART NUMBER	QTY	LINE	BODY	DESCRIPTION
NOTE: Kit has Upright Clamp for Bike					
1	8220 3471	1	J, T	74	CARRIER KIT, Bike
2	5093 779AA	1	J, T	74	HARDWARE KIT, Accessory, Contains: T-Slot Anchors and Bar, Screws, Lockwashers and Dome Washers
3	5016 513AA	1	J, T	74	STRAP, Cargo Tie Down, Contains: 2-Straps
4	5018 194AA	1	J, T	74	HARDWARE KIT, Bike Carrier
-5	5066 632AA	1	J, T	74	TOOL, Screw Driver

JEEP GRAND CHEROKEE (WJ)				
SERIES	LINE	BODY	ENGINE	TRANSMISSION
H = Laredo	J = 4WD	74 = 4 Door	ERH = 4.0L, Power Tech I-6	DGK = 4 Speed Autm, 42RE
M = Sport	T = 2WD		EVA = 4.7L, Power Tech V8	DGQ = 5 Speed Automatic, 45RFE
P = Limited			EVC = 4.7L HO V8 MPI	DG0 = All Automatic Transm
S = Overland			ERO = All 4.0L 6 Cyl Gas	
			EVO = All 4.7I Gas	

AR = Use as required - = Non illustrated part # = New this model year

May 1, 2002

Carrier Kit - Canoe
Figure 001-220



ITEM	PART NUMBER	QTY	LINE	BODY	DESCRIPTION
------	-------------	-----	------	------	-------------

NOTE: Use only with Sport Utility Bar
NOTE: Hardware Kit also contained in Carrier Kit

1	8220 4700	1	J, T	74	CARRIER KIT, Canoe
2	5016 389AA	1	J, T	74	HARDWARE KIT, Accessory
3	5016 511AA	1	J, T	74	STRAP, Cargo Tie Down
4	5016 510AA	1	J, T	74	BRACKET, Cargo Tie Down

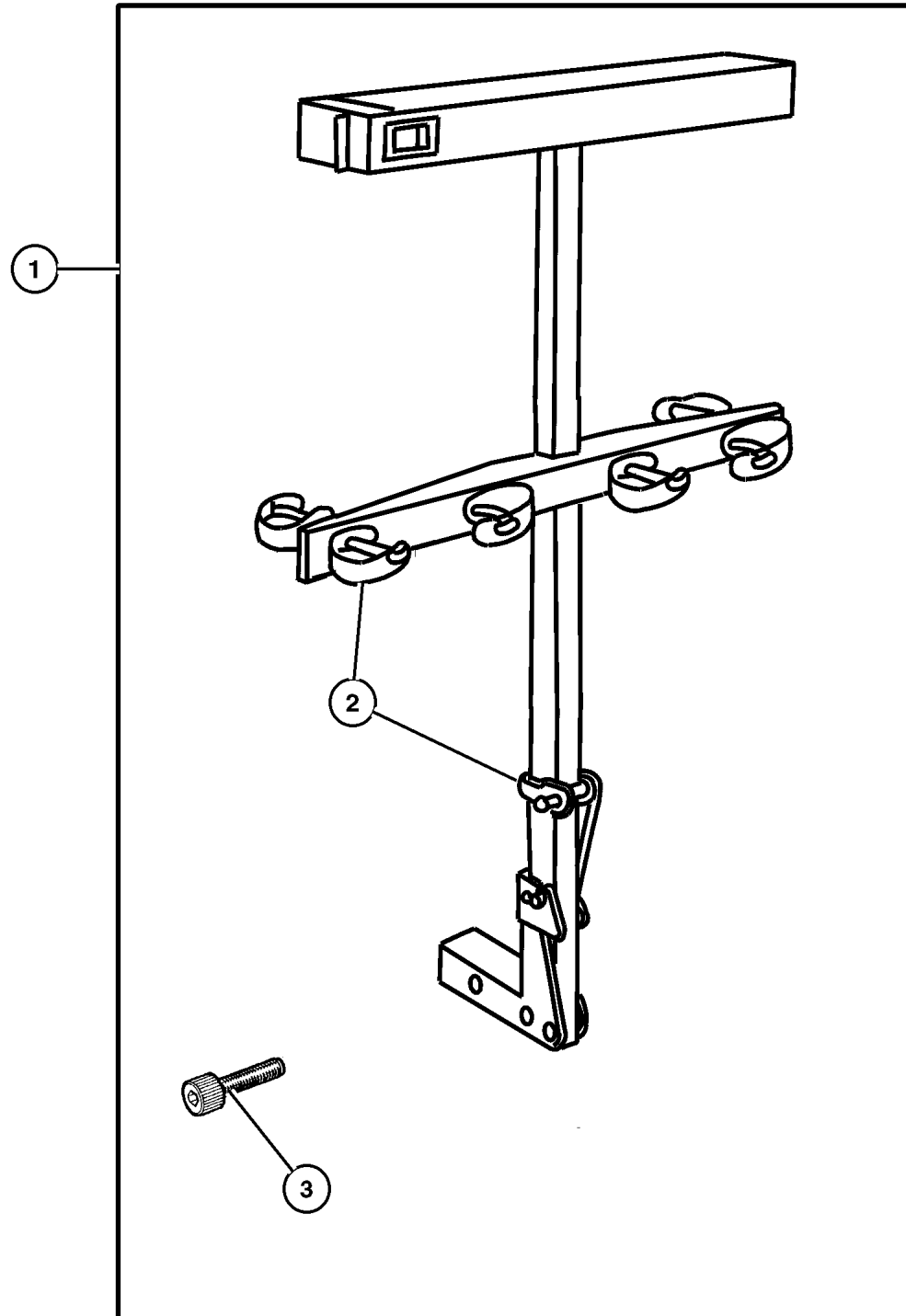
JEEP GRAND CHEROKEE (WJ)				
SERIES	LINE	BODY	ENGINE	TRANSMISSION
H = Laredo	J = 4WD	74 = 4 Door	ERH = 4.0L, Power Tech I-6	DGK = 4 Speed Autm, 42RE
M = Sport	T = 2WD		EVA = 4.7L, Power Tech V8	DGQ = 5 Speed Automatic, 45RFE
P = Limited			EVC = 4.7L HO V8 MPI	DG0 = All Automatic Transm
S = Overland			ERO = All 4.0L 6 Cyl Gas	
			EVO = All 4.7l Gas	

AR = Use as required - = Non illustrated part # = New this model year

May 1, 2002

Carrier Kit - Ski, Hitch Mount
Figure 001-230

ITEM	PART NUMBER	QTY	LINE	BODY	DESCRIPTION
1	8220 4455	1	J, T	74	CARRIER KIT, Ski - 4 Pair
2	5016 775AA	1	J, T	74	STRAP KIT, Bike Carrier Latch, Contains: 2-Rubber Straps
3	5016 776AA	1	J, T	74	BOLT KIT, Security, Contains: Bolt, Wrench, Washer and Nut



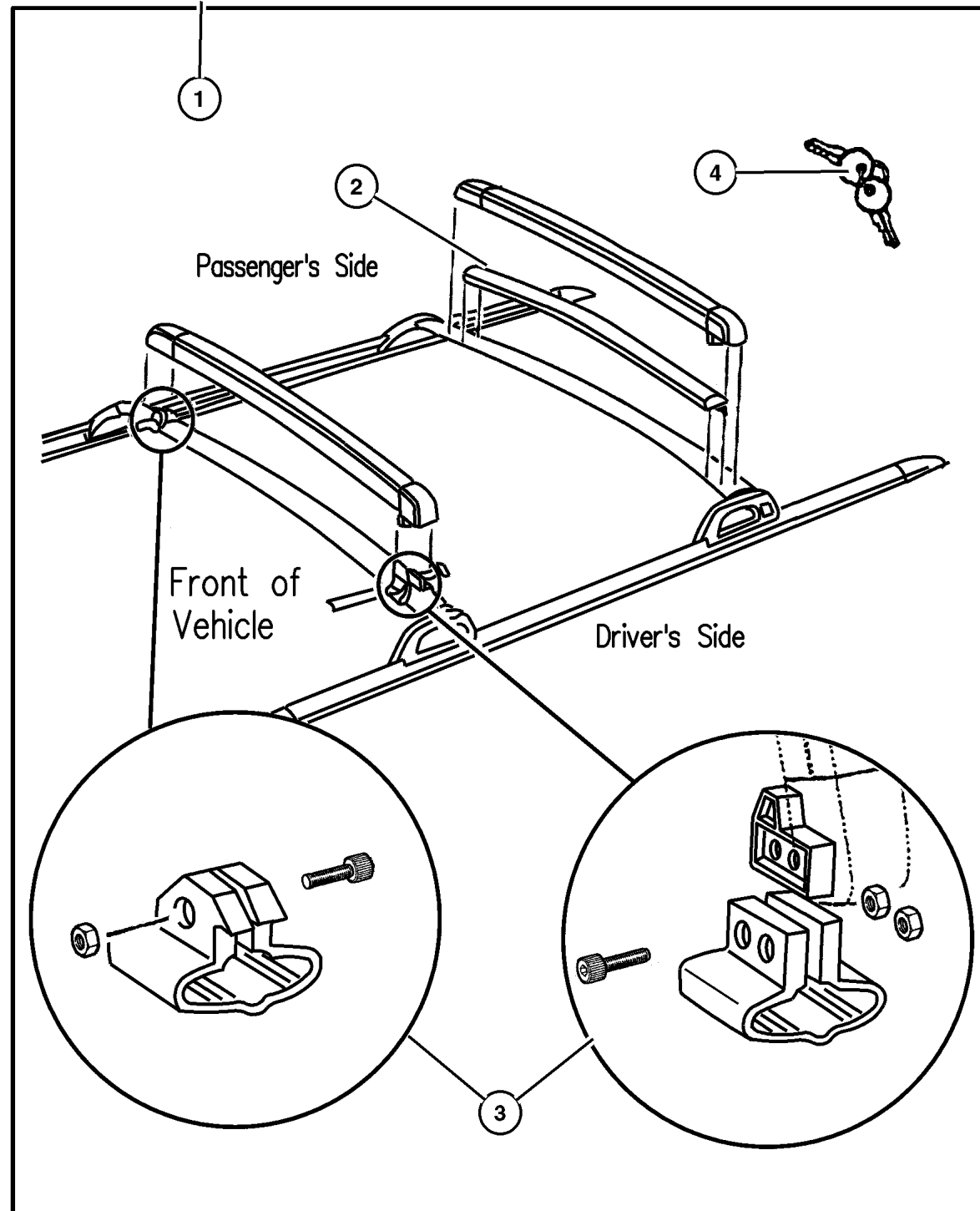
JEEP GRAND CHEROKEE (WJ)				
SERIES	LINE	BODY	ENGINE	TRANSMISSION
H = Laredo	J = 4WD	74 = 4 Door	ERH = 4.0L, Power Tech I-6	DGK = 4 Speed Autm, 42RE
M = Sport	T = 2WD		EVA = 4.7L, Power Tech V8	DGQ = 5 Speed Automatic, 45RFE
P = Limited			EVC = 4.7L HO V8 MPI	DG0 = All Automatic Transm
S = Overland			ERO = All 4.0L 6 Cyl Gas	
			EVO = All 4.7I Gas	

AR = Use as required - = Non illustrated part # = New this model year

May 1, 2002

Carrier Kit - Ski (Four Pair) Roof Mount
Figure 001-234

ITEM	PART NUMBER	QTY	LINE	BODY	DESCRIPTION
1	8220 4101	1	J, T	74	CARRIER KIT, Ski - 4 Pair
2	4797 617	1	J, T	74	PAD, Crossbar, Comes in 36 Inches, Cut to Size.
3	4797 618	1	J, T	74	HARDWARE KIT, Accessory
4	4796 058	1	J, T	74	LOCK KIT, Carrier, Consists of: 2-Lock Assy, with Keys and 2-Clips



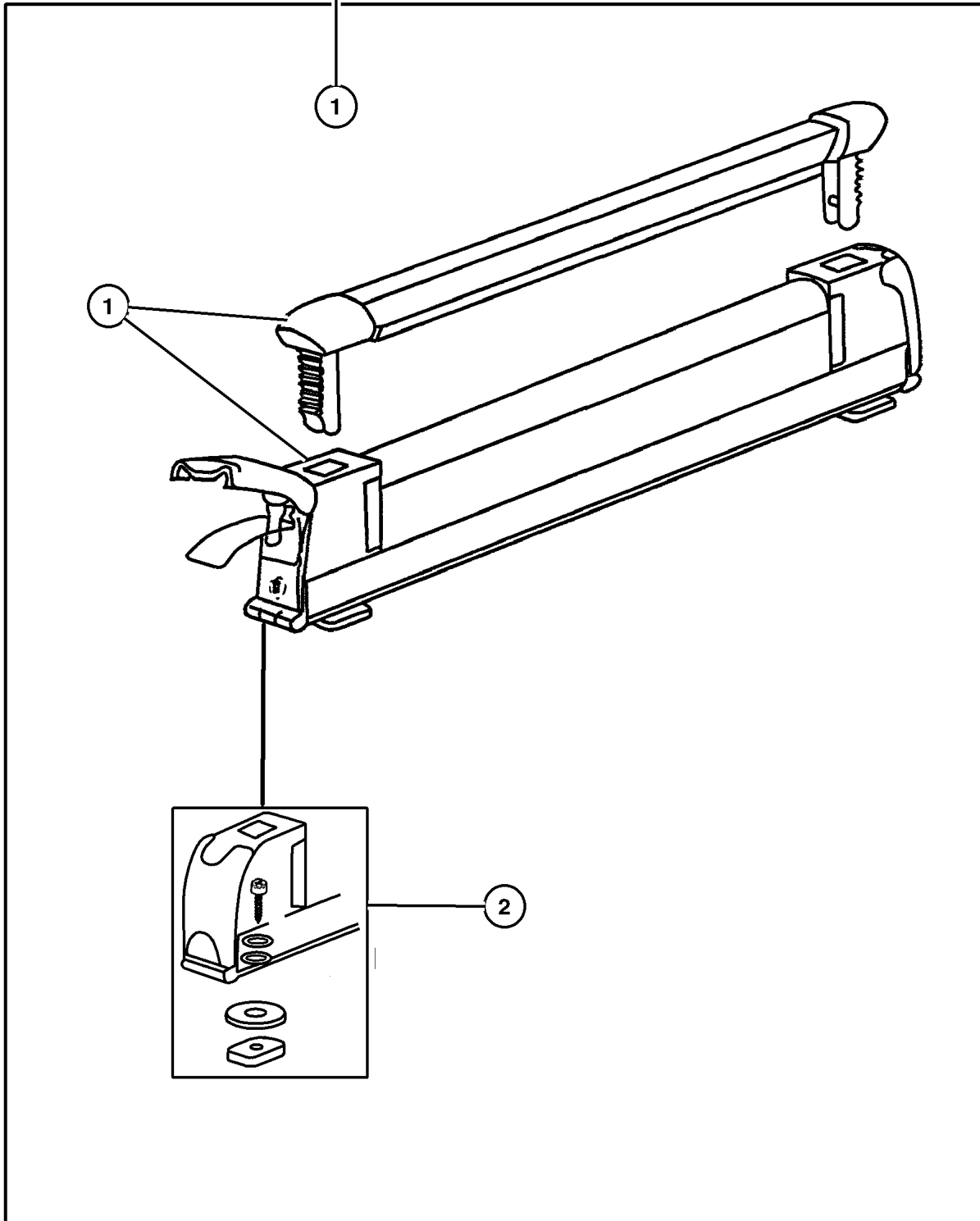
JEEP GRAND CHEROKEE (WJ)				
SERIES	LINE	BODY	ENGINE	TRANSMISSION
H = Laredo	J = 4WD	74 = 4 Door	ERH = 4.0L, Power Tech I-6	DGK = 4 Speed Autm, 42RE
M = Sport	T = 2WD		EVA = 4.7L, Power Tech V8	DGQ = 5 Speed Automatic, 45RFE
P = Limited			EVC = 4.7L HO V8 MPI	DG0 = All Automatic Transm
S = Overland			ERO = All 4.0L 6 Cyl Gas	
			EVO = All 4.7I Gas	

AR = Use as required - = Non illustrated part # = New this model year

May 1, 2002

Carrier Kit - Ski (six Pair) Roof Mount
Figure 001-236

ITEM	PART NUMBER	QTY	LINE	BODY	DESCRIPTION
1	8220 7308	1			CARRIER KIT, Ski
2	5086 158AA	1			HARDWARE KIT, Accessory, Contains: 4 - 25MM Screws, 4 - 20M Screws, 4 - 16MM Screws, 4 - Lock Washers, 4 - Flat Washers, 4 - T Plates, 4 - Rubber Washers



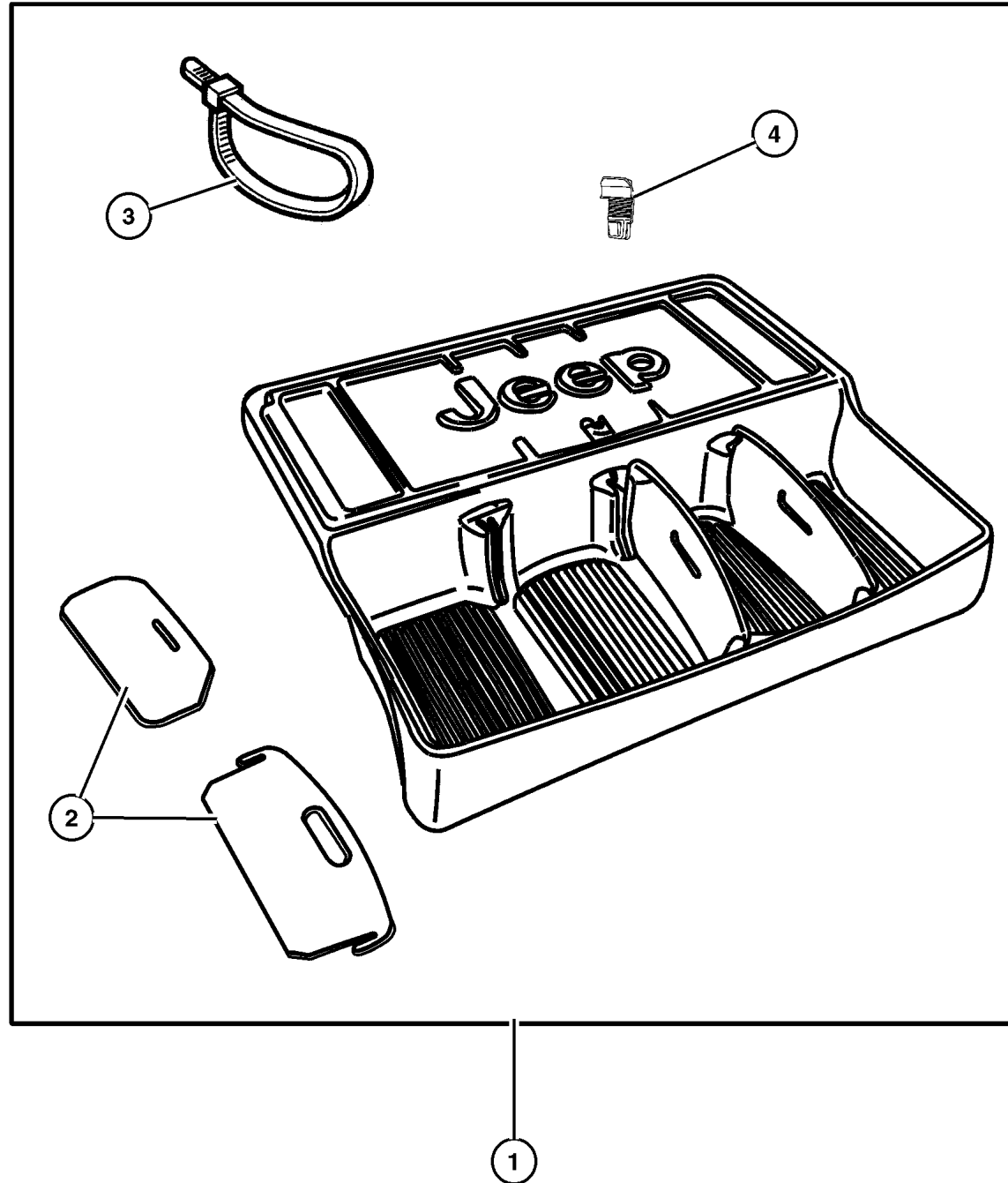
JEEP GRAND CHEROKEE (WJ)				
SERIES	LINE	BODY	ENGINE	TRANSMISSION
H = Laredo	J = 4WD	74 = 4 Door	ERH = 4.0L, Power Tech I-6	DGK = 4 Speed Autm, 42RE
M = Sport	T = 2WD		EVA = 4.7L, Power Tech V8	DGQ = 5 Speed Automatic, 45RFE
P = Limited			EVC = 4.7L HO V8 MPI	DG0 = All Automatic Transm
S = Overland			ERO = All 4.0L 6 Cyl Gas	
			EVO = All 4.7I Gas	

AR = Use as required - = Non illustrated part # = New this model year

May 1, 2002

Box Kit - Storage (Interior)
Figure 001-260

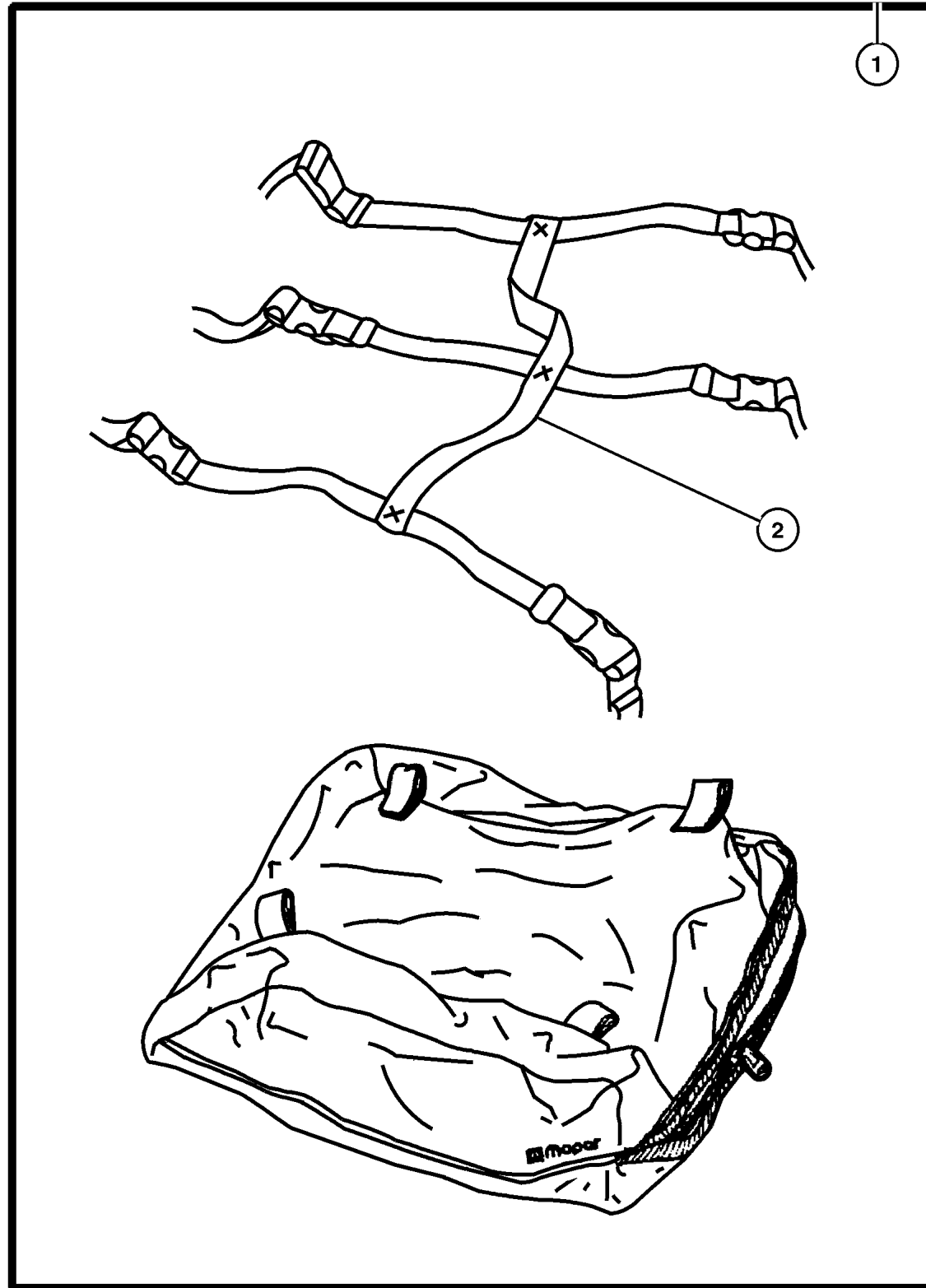
ITEM	PART NUMBER	QTY	LINE	BODY	DESCRIPTION
NOTE: Mounts Behind Rear Seat. Box is approximately 45" W/18"D/8"H. The tray is located between the box & liftgate - Molded unit has lockable area.					
1	8220 5010	1	J, T	74	BOX KIT, Storage-Interior
2	5016 544AA	1	J, T	74	DIVIDER KIT, Cargo
3	5016 545AA	1	J, T	74	STRAP, Cargo Tie Down
4	5016 546AA	1	J, T	74	LOCK KIT, Storage



JEEP GRAND CHEROKEE (WJ)				
SERIES	LINE	BODY	ENGINE	TRANSMISSION
H = Laredo	J = 4WD	74 = 4 Door	ERH = 4.0L, Power Tech I-6	DGK = 4 Speed Autm, 42RE
M = Sport	T = 2WD		EVA = 4.7L, Power Tech V8	DGQ = 5 Speed Automatic, 45RFE
P = Limited			EVC = 4.7L HO V8 MPI	DG0 = All Automatic Transm
S = Overland			ERO = All 4.0L 6 Cyl Gas	
			EVO = All 4.7l Gas	

AR = Use as required - = Non illustrated part # = New this model year

Luggage Carrier - Roof Mount
Figure 001-274



ITEM	PART NUMBER	QTY	LINE	BODY	DESCRIPTION
------	-------------	-----	------	------	-------------

NOTE: Requires Roof Rack.

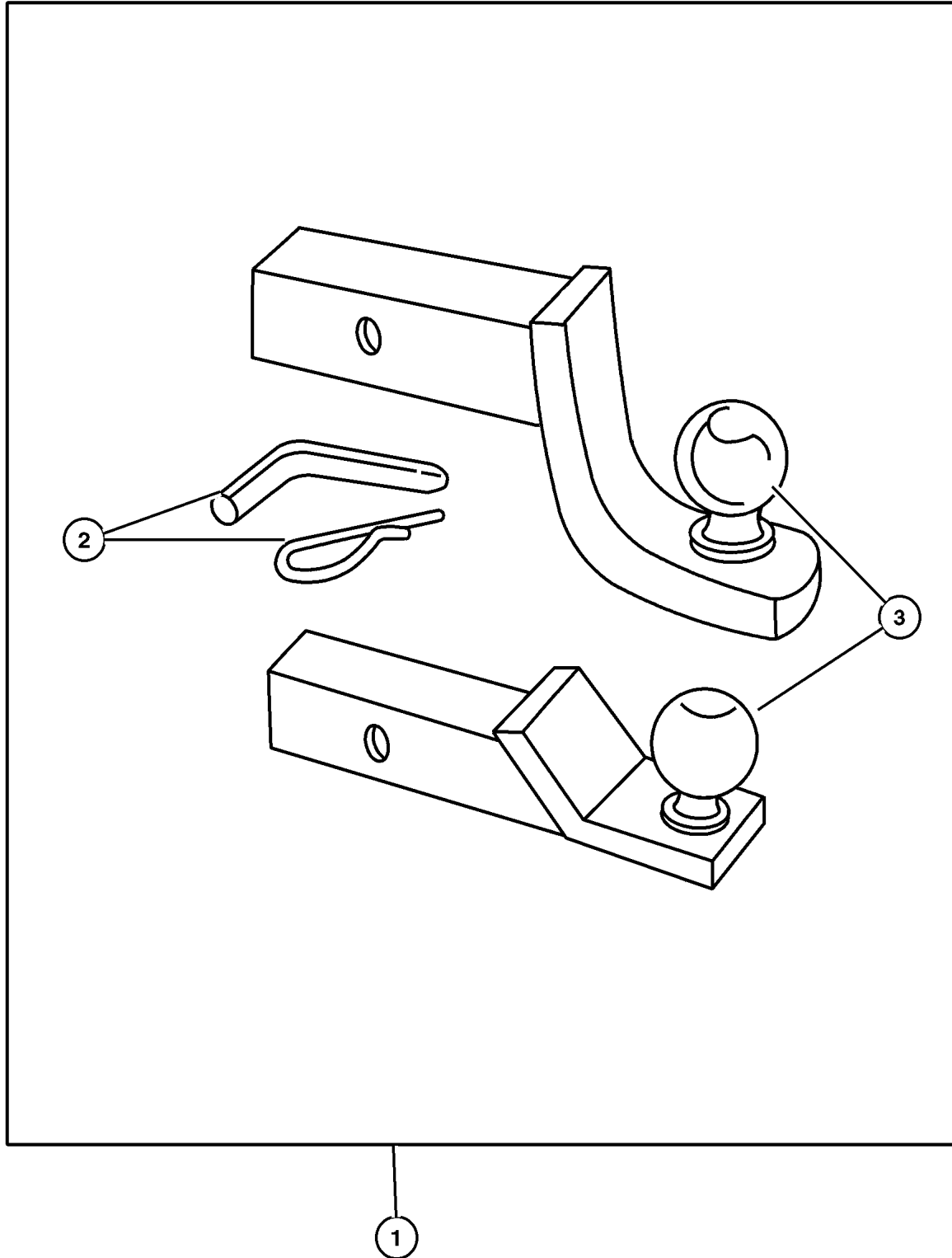
1	8220 7198	1			CARRIER KIT, Luggage
2	5066 332AA	1			STRAP KIT, Luggage Carrier, Consists of: 6- Tie Straps, 6- Locking Buckles, 6- Quick Release Connectors and 6- Elastic Loops

JEEP GRAND CHEROKEE (WJ)				
SERIES	LINE	BODY	ENGINE	TRANSMISSION
H = Laredo	J = 4WD	74 = 4 Door	ERH = 4.0L, Power Tech I-6	DGK = 4 Speed Autm, 42RE
M = Sport	T = 2WD		EVA = 4.7L, Power Tech V8	DGQ = 5 Speed Automatic, 45RFE
P = Limited			EVC = 4.7L HO V8 MPI	DG0 = All Automatic Transm
S = Overland			ERO = All 4.0L 6 Cyl Gas	
			EVO = All 4.7I Gas	

AR = Use as required - = Non illustrated part # = New this model year

May 1, 2002

**Adapter Kit - Ball Mount
Figure 001-282**



ITEM	PART NUMBER	QTY	LINE	BODY	DESCRIPTION
1					ADAPTER KIT, Ball Mount
	8220 0248	1	J, T	74	3/4 inch Shank
	8220 1148	1	J, T	74	1 inch Shank, 1.75 Rise, 1.00 Drop
	8220 1149	1	J, T	74	1 inch Shank, 3.00 Rise, 2.25 Drop
2	5016 666AA	1	J, T	74	PIN, Hitch
3					BALL KIT, Trailer Tow
	8240 1197	1	J, T	74	1-7/8 inch Ball, 2000 #
	8240 1218	1	J, T	74	1-5/16 inch Ball, 2000 #

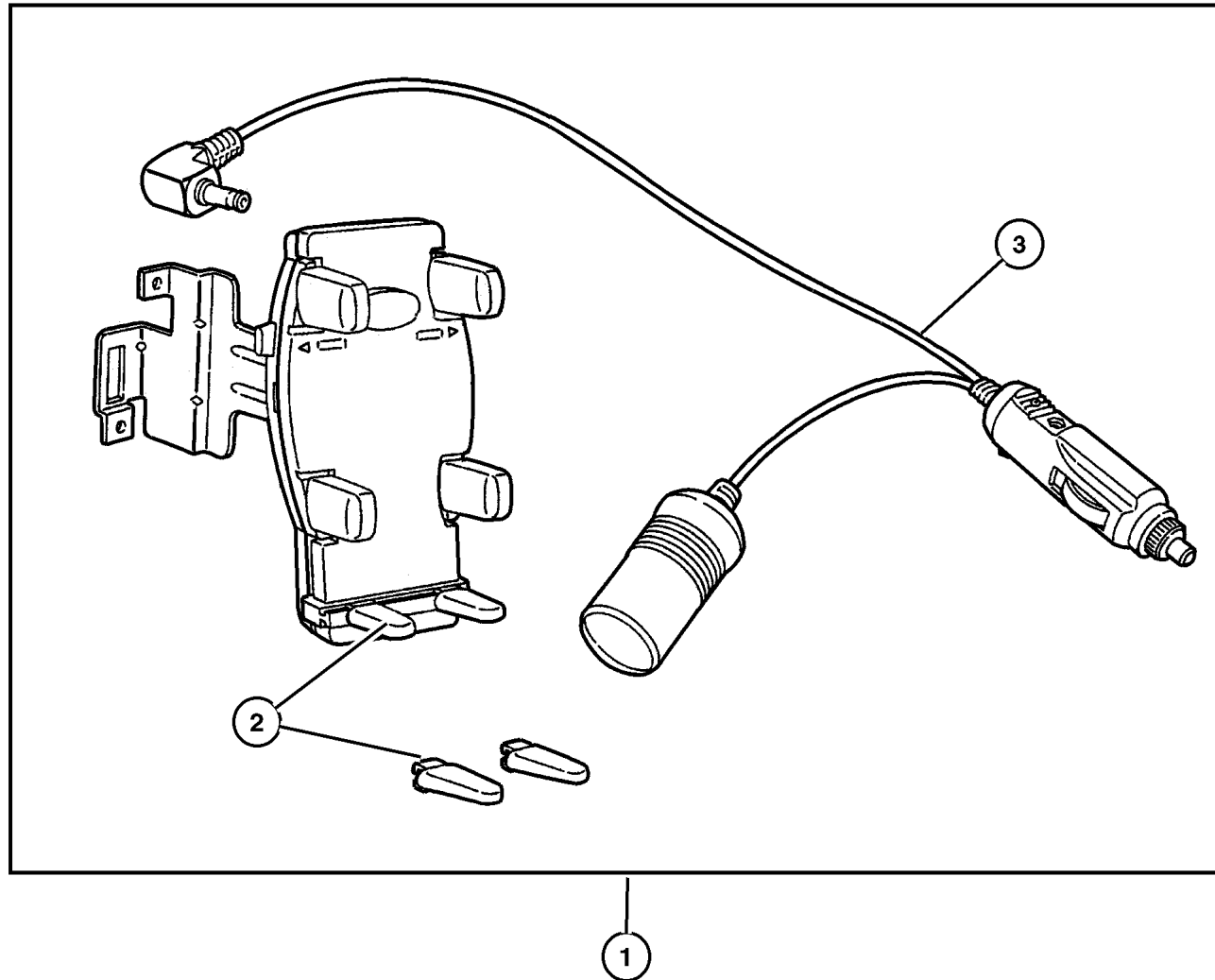
JEEP GRAND CHEROKEE (WJ)				
SERIES	LINE	BODY	ENGINE	TRANSMISSION
H = Laredo	J = 4WD	74 = 4 Door	ERH = 4.0L, Power Tech I-6	DGK = 4 Speed Autm, 42RE
M = Sport	T = 2WD		EVA = 4.7L, Power Tech V8	DGQ = 5 Speed Automatic, 45RFE
P = Limited			EVC = 4.7L HO V8 MPI	DG0 = All Automatic Transm
S = Overland			ERO = All 4.0L 6 Cyl Gas	
			EVO = All 4.7I Gas	

AR = Use as required - = Non illustrated part # = New this model year

May 1, 2002

Mounting Kit - Cellular Phone
Figure 001-310

ITEM	PART NUMBER	QTY	LINE	BODY	DESCRIPTION
NOTE; Smart Holder and Bracket Assy. with Jeep Logo, Bracket to be black powder coated low gloss.					
NOTE: Holds any wireless handset. Installs to instrument panel.					
1	8220 4332	1			MOUNTING KIT, Cellular Phone
2	5018 103AA	1			HARDWARE KIT, Accessory, Contains: Set of long and short feet
3	5016 536AA	1			CORD, Cellular Phone, 18 Inch length



JEEP GRAND CHEROKEE (WJ)				
SERIES	LINE	BODY	ENGINE	TRANSMISSION
H = Laredo	J = 4WD	74 = 4 Door	ERH = 4.0L, Power Tech I-6	DGK = 4 Speed Autm, 42RE
M = Sport	T = 2WD		EVA = 4.7L, Power Tech V8	DGQ = 5 Speed Automatic, 45RFE
P = Limited			EVC = 4.7L HO V8 MPI	DG0 = All Automatic Transm
S = Overland			ERO = All 4.0L 6 Cyl Gas	
			EVO = All 4.7I Gas	

AR = Use as required - = Non illustrated part # = New this model year

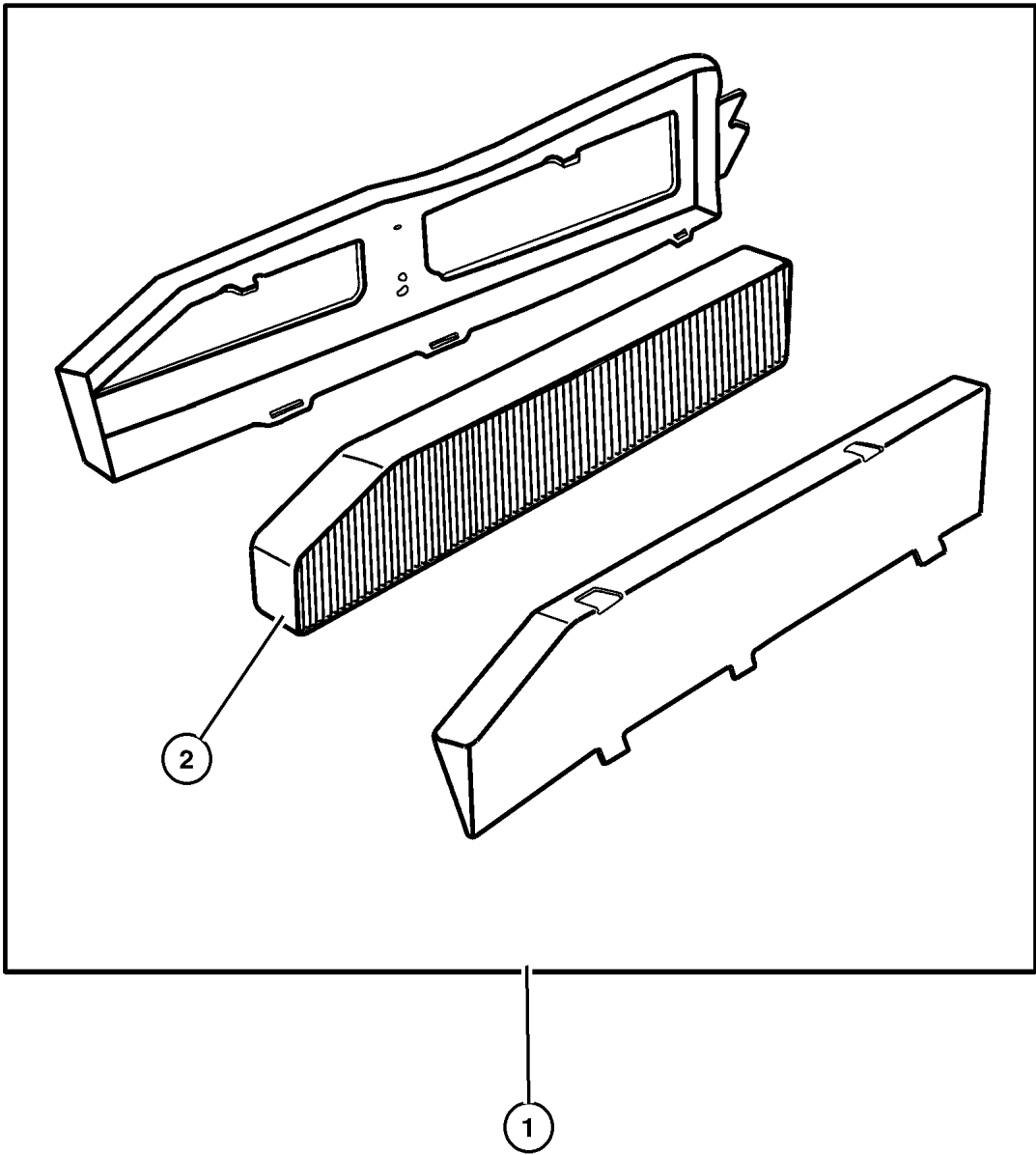
May 1, 2002

**Filter Kit - Cabin Air
Figure 001-315**

ITEM	PART NUMBER	QTY	LINE	BODY	DESCRIPTION
------	-------------	-----	------	------	-------------

NOTE: Triple layer filters install in the fresh air intake within the plenum area. Reduces pollen, mold & other allergens.
NOTE: Heating, ventilating & air conditioning continue to function as designed. Recommended service 2yrs/24,000 miles.

1	8220 4691	1	J, T	74	FILTER KIT, Cabin Air
2	5013 595AA	1	J, T	74	FILTER, Air



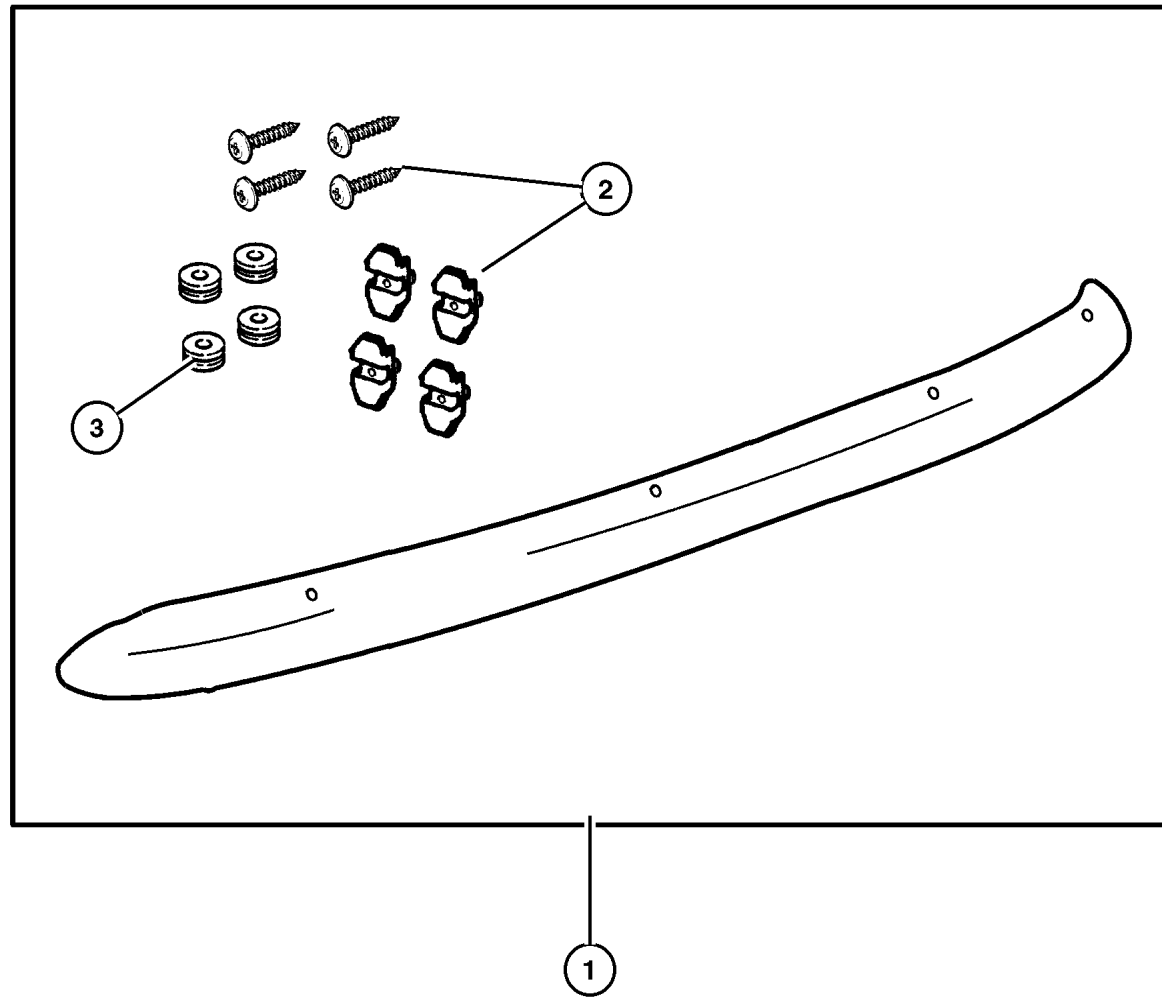
JEEP GRAND CHEROKEE (WJ)				
SERIES	LINE	BODY	ENGINE	TRANSMISSION
H = Laredo	J = 4WD	74 = 4 Door	ERH = 4.0L, Power Tech I-6	DGK = 4 Speed Autm, 42RE
M = Sport	T = 2WD		EVA = 4.7L, Power Tech V8	DGQ = 5 Speed Automatic, 45RFE
P = Limited			EVC = 4.7L HO V8 MPI	DG0 = All Automatic Transm
S = Overland			ERO = All 4.0L 6 Cyl Gas	
			EVO = All 4.7l Gas	

AR = Use as required - = Non illustrated part # = New this model year

May 1, 2002

Shield Kit, Air Front
Figure 001-510

ITEM	PART NUMBER	QTY	LINE	BODY	DESCRIPTION
NOTE: Shield Kit - Color Smoke, Material Lexan.					
1	8220 4314	1	J, T	74	SHIELD KIT, Air - Front
2	5016 373AA	1	J, T	74	RETAINER, Accessories, Contains: 4-Retainers and Screws
3	5014 754AA	1	J, T	74	SPACER, Air Deflector



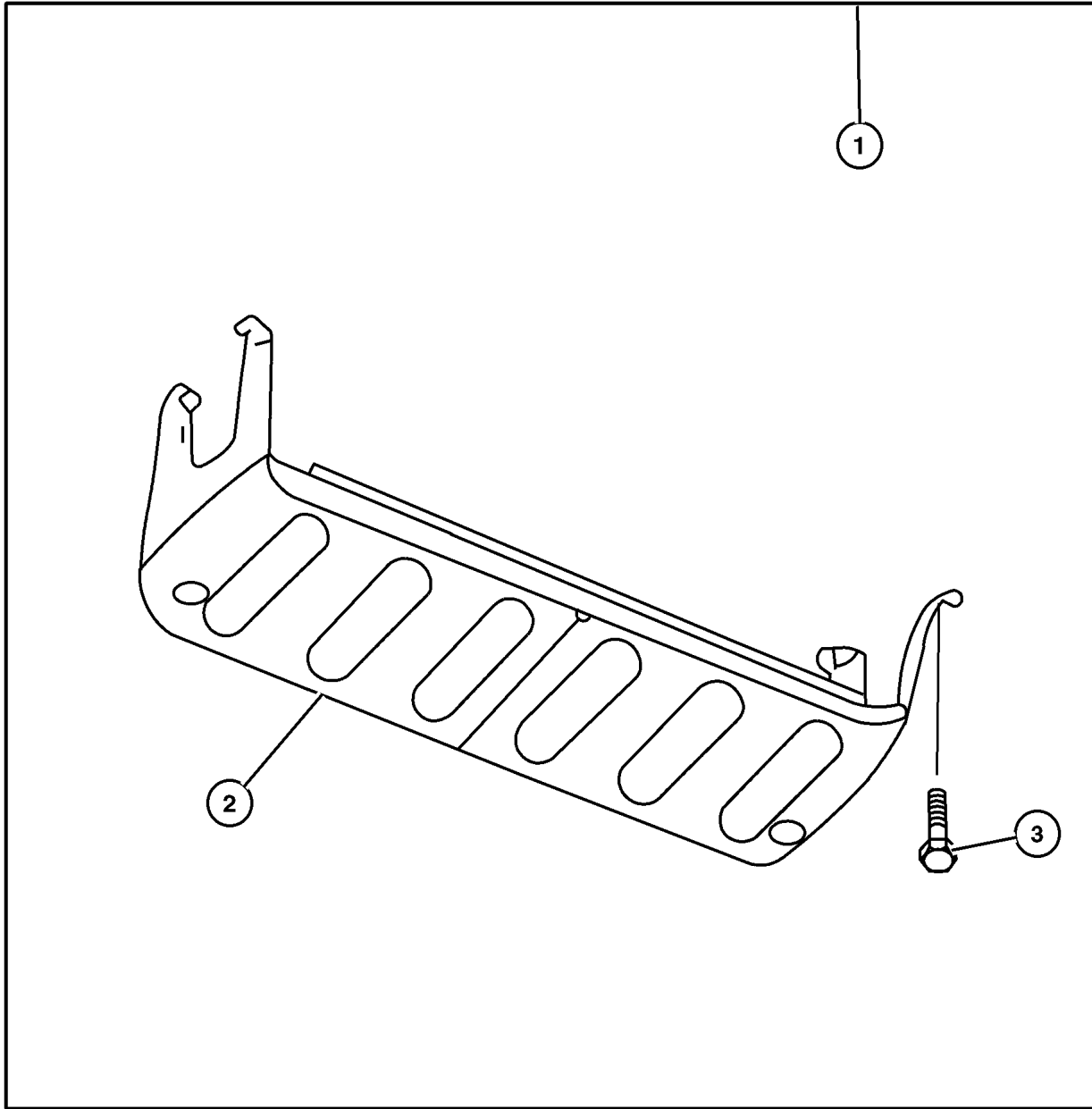
JEEP GRAND CHEROKEE (WJ)				
SERIES	LINE	BODY	ENGINE	TRANSMISSION
H = Laredo	J = 4WD	74 = 4 Door	ERH = 4.0L, Power Tech I-6	DGK = 4 Speed Autm, 42RE
M = Sport	T = 2WD		EVA = 4.7L, Power Tech V8	DGQ = 5 Speed Automatic, 45RFE
P = Limited			EVC = 4.7L HO V8 MPI	DG0 = All Automatic Transm
S = Overland			ERO = All 4.0L 6 Cyl Gas	
			EVO = All 4.7l Gas	

AR = Use as required - = Non illustrated part # = New this model year

May 1, 2002

Skid Plate Package - Front
Figure 001-520

ITEM	PART NUMBER	QTY	LINE	BODY	DESCRIPTION
1	8220 7487	1	J, T	74	PLATE PACKAGE, Skid - Front
2	#52080 217AA	1	J		SKID PLATE, Front
3	6505 961AA	4	J		SCREW AND WASHER, Hex Head, M10x1.5x40



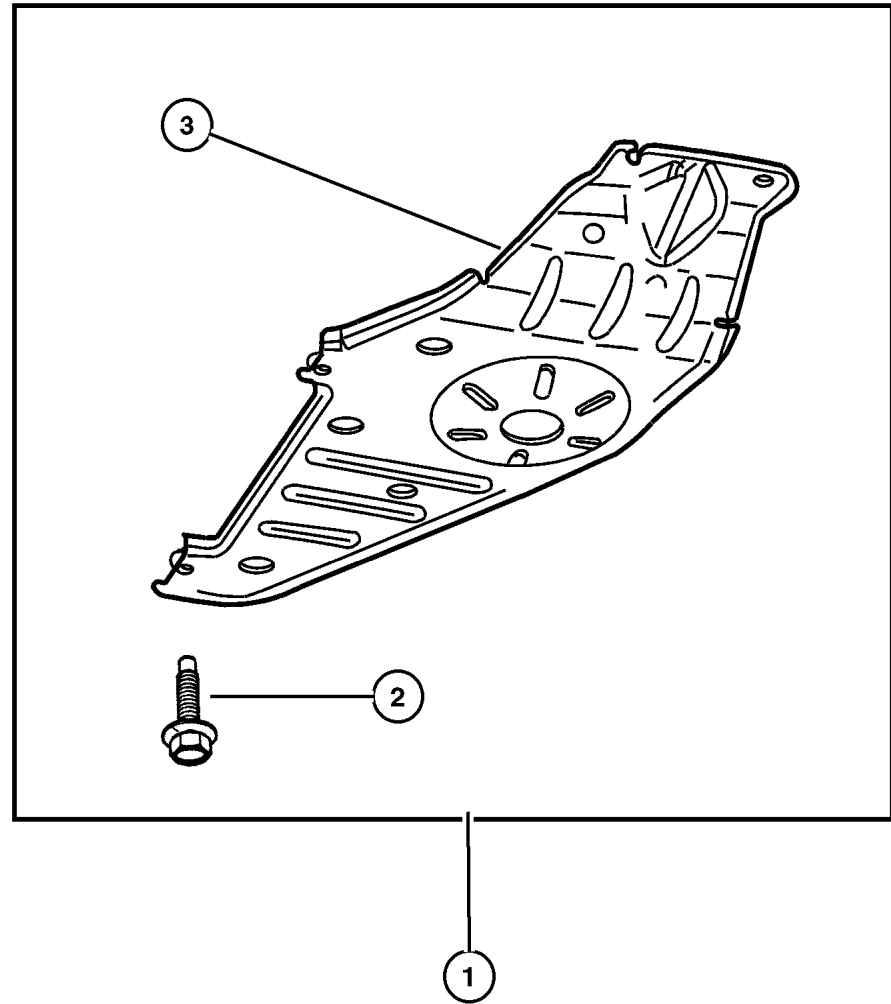
JEEP GRAND CHEROKEE (WJ)				
SERIES	LINE	BODY	ENGINE	TRANSMISSION
H = Laredo	J = 4WD	74 = 4 Door	ERH = 4.0L, Power Tech I-6	DGK = 4 Speed Autm, 42RE
M = Sport	T = 2WD		EVA = 4.7L, Power Tech V8	DGQ = 5 Speed Automatic, 45RFE
P = Limited			EVC = 4.7L HO V8 MPI	DG0 = All Automatic Transm
S = Overland			ERO = All 4.0L 6 Cyl Gas	
			EVO = All 4.7l Gas	

AR = Use as required - = Non illustrated part # = New this model year

May 1, 2002

Skid Plate Package - Transfer Case
Figure 001-522

ITEM	PART NUMBER	QTY	LINE	BODY	DESCRIPTION
1	8220 4489	1	J	74	PLATE PACKAGE, Skid - Transfer Case
2	6503 571	4			SCREW AND WASHER, M10x1.50x35
3	5205 8922	1	J		SKID PLATE, Transfer Case
-4	5013 886AA	1	J	74	TOOL, Rivnut

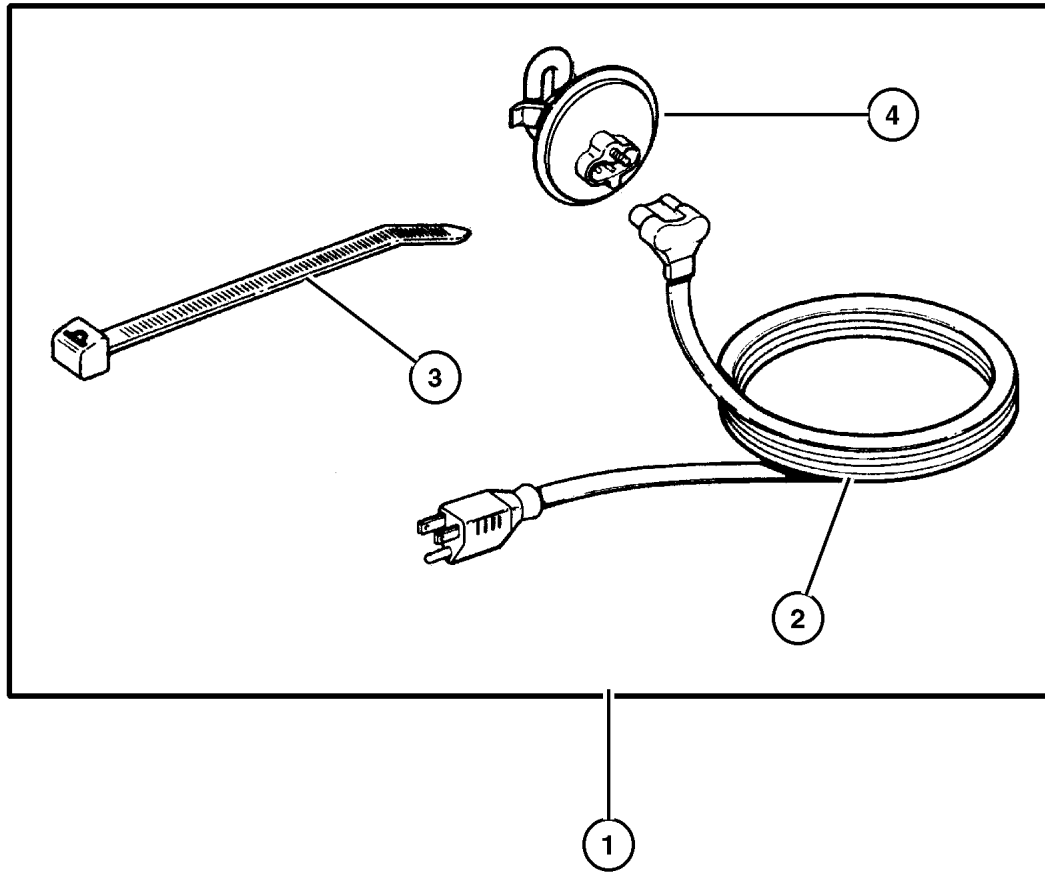


JEEP GRAND CHEROKEE (WJ)				
SERIES	LINE	BODY	ENGINE	TRANSMISSION
H = Laredo	J = 4WD	74 = 4 Door	ERH = 4.0L, Power Tech I-6	DGK = 4 Speed Autm, 42RE
M = Sport	T = 2WD		EVA = 4.7L, Power Tech V8	DGQ = 5 Speed Automatic, 45RFE
P = Limited			EVC = 4.7L HO V8 MPI	DG0 = All Automatic Transm
S = Overland			ERO = All 4.0L 6 Cyl Gas	
			EVO = All 4.7l Gas	

AR = Use as required - = Non illustrated part # = New this model year

**Heater Kit
Figure 001-610**

ITEM	PART NUMBER	QTY	LINE	BODY	DESCRIPTION
1					HEATER PACKAGE, Engine Block
	8220 1506	1			4.0L Engine
	8220 3640	1	J, T	74	4.7L Engine
2					CORD, Engine Block Heater
	J575 2677	1			4.0L Engine
	5602 7117	1			4.7L Engine
3					STRAP, Tie
	5600 8876	1			4.0L Engine
		1	J, T	74	4.7L Engine
4					HEATER, Engine Block, Serviced In Assembly , (NOT SERVICED)

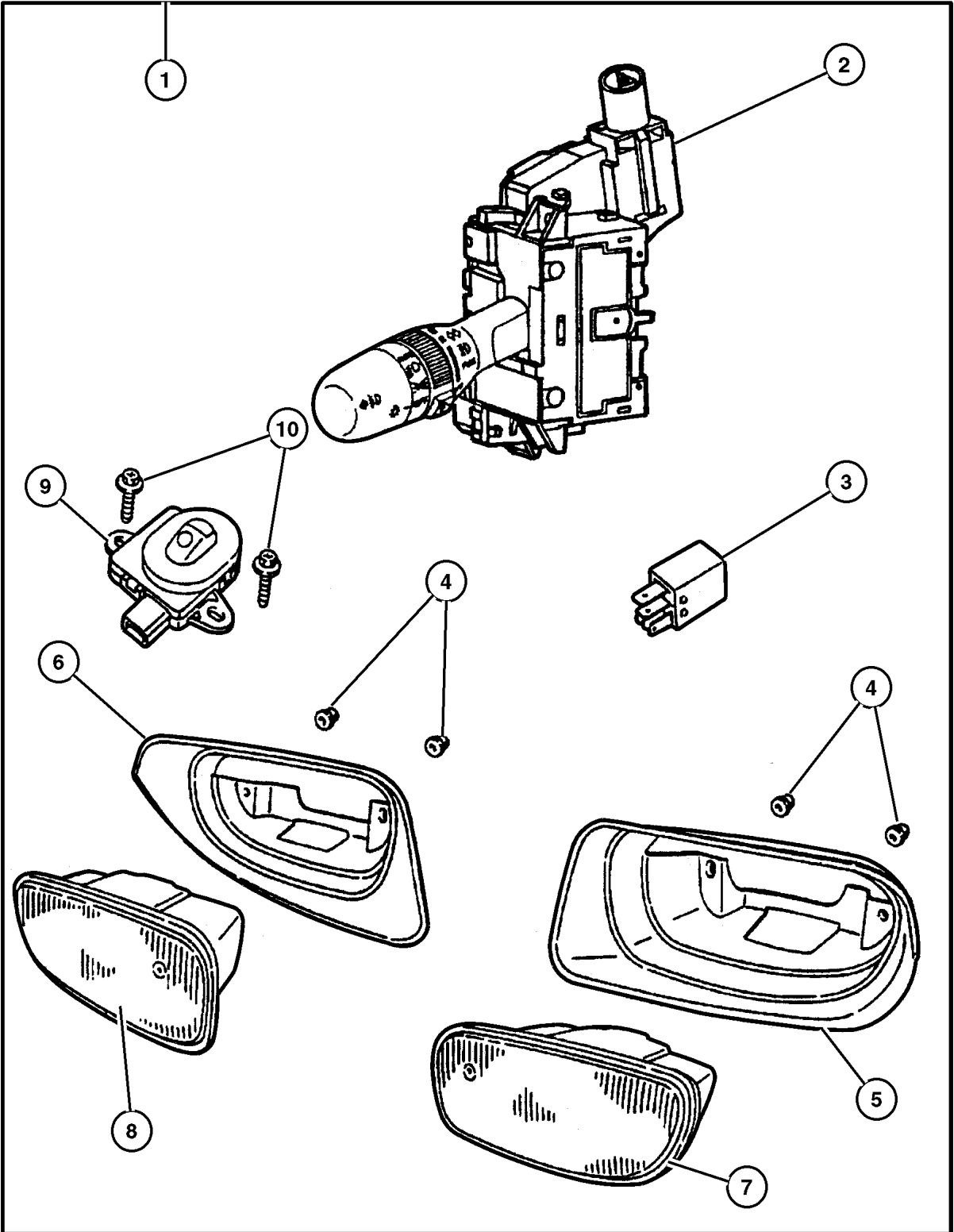


JEEP GRAND CHEROKEE (WJ)				
SERIES	LINE	BODY	ENGINE	TRANSMISSION
H = Laredo	J = 4WD	74 = 4 Door	ERH = 4.0L, Power Tech I-6	DGK = 4 Speed Autm, 42RE
M = Sport	T = 2WD		EVA = 4.7L, Power Tech V8	DGQ = 5 Speed Automatic, 45RFE
P = Limited			EVC = 4.7L HO V8 MPI	DG0 = All Automatic Transm
S = Overland			ERO = All 4.0L 6 Cyl Gas	
			EVO = All 4.7l Gas	

AR = Use as required - = Non illustrated part # = New this model year

May 1, 2002

**Light Package - Fog
Figure 001-615**



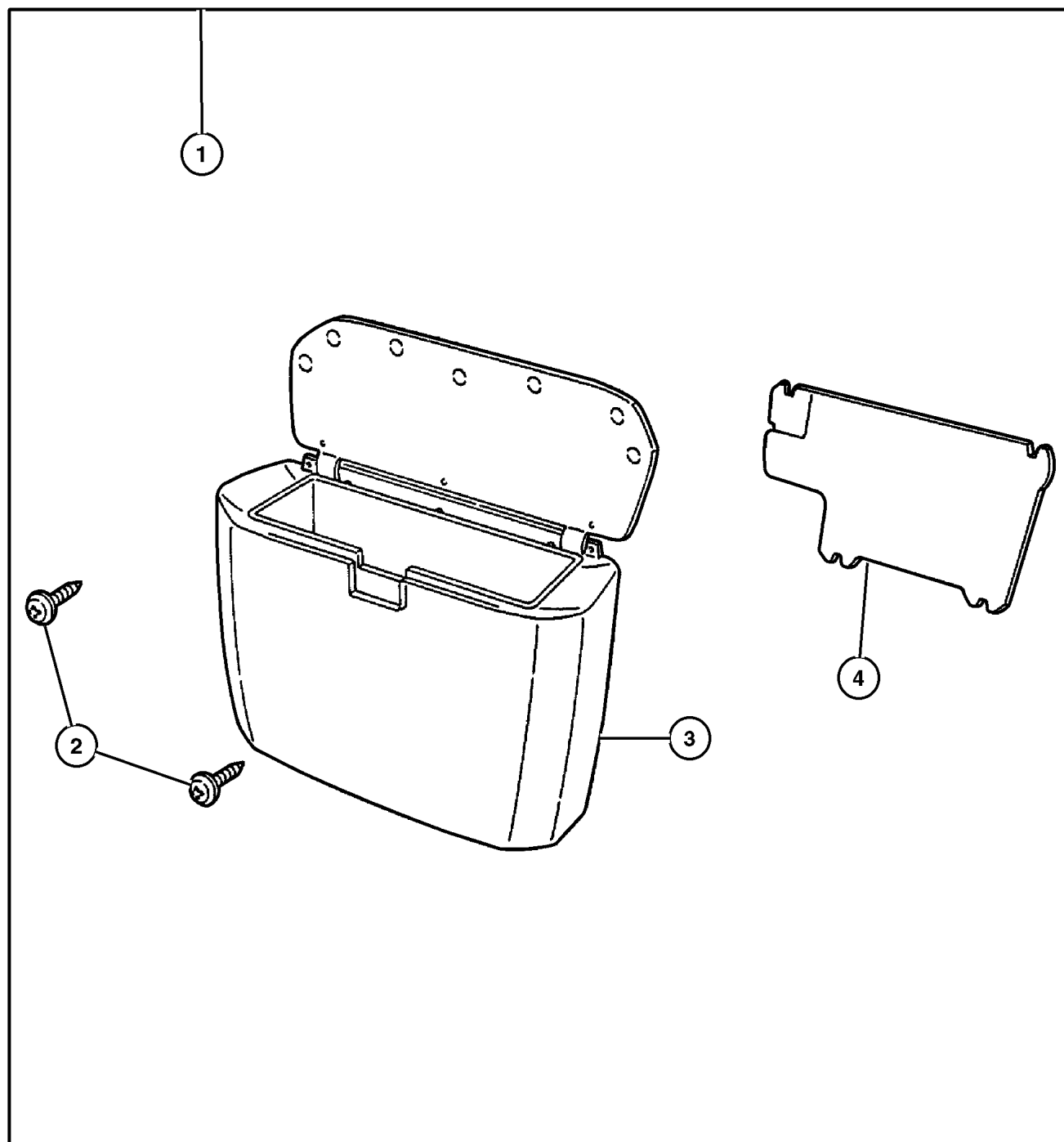
ITEM	PART NUMBER	QTY	LINE	BODY	DESCRIPTION
NOTE:					
Items 12 thru 15 are additional parts contained in Light Package 82207798					
1	8220 6653	1	J, T	74	LIGHT PACKAGE, Fog Up to 10-28-02
	#8220 7798	1		74	After to 10-28-02
2	56042 302AG	1			SWITCH, Multifunction
3	4671 168	AR			RELAY, Mini
4	3420 1358	4			NUT AND WASHER, Hex Nut-Sealing Washer, M6 x 1.00
5					BEZEL, Fog Lamp, (NOT SERVICED)
6					BEZEL, Fog Lamp, (NOT SERVICED)
7	#55155 137AC	1			LAMP, Fog, Left
8	#55155 136AC	1			LAMP, Fog, Right
9	56042 584AA	1			SENSOR, Headlamp
10	6101 946	2			SCREW, Tapping
-11	00AT M20	1			FUSE, Mini, 20 AMP, Yellow
-12					WIRING, Fog Lamp, See Note, (NOT SERVICED)
-13					STRAP, Tie
	4641 780	1		74	7.75 inch
	6016 155	1			14.5 inch
-14	3420 1631	6			RIVET, M6.25x28 Black

JEEP GRAND CHEROKEE (WJ)				
SERIES	LINE	BODY	ENGINE	TRANSMISSION
H = Laredo	J = 4WD	74 = 4 Door	ERH = 4.0L, Power Tech I-6	DGK = 4 Speed Autm, 42RE
M = Sport	T = 2WD		EVA = 4.7L, Power Tech V8	DGQ = 5 Speed Automatic, 45RFE
P = Limited			EVC = 4.7L HO V8 MPI	DG0 = All Automatic Transm
S = Overland			ERO = All 4.0L 6 Cyl Gas	
			EVO = All 4.7I Gas	

AR = Use as required - = Non illustrated part # = New this model year

Console Package - Rear
Figure 001-810

ITEM	PART NUMBER	QTY	LINE	BODY	DESCRIPTION
NOTE: For CD Changer. Rear Right Quarter Panel.					
1					CONSOLE PACKAGE, Rear
	8220 4626	1	J, T	74	Agate
	8220 6899	1	J, T	74	Sandstone
2	0153 921	1	J, T	74	SCREW
3					BIN, Storage
	5FW37 1L5AD	1			Agate
	5FW37 1T5AD	1			Sandstone
4					COVER, Bolt
	5FY38 WL5AA	1			Agate
	5FY38 XT5AA	1			Sandstone

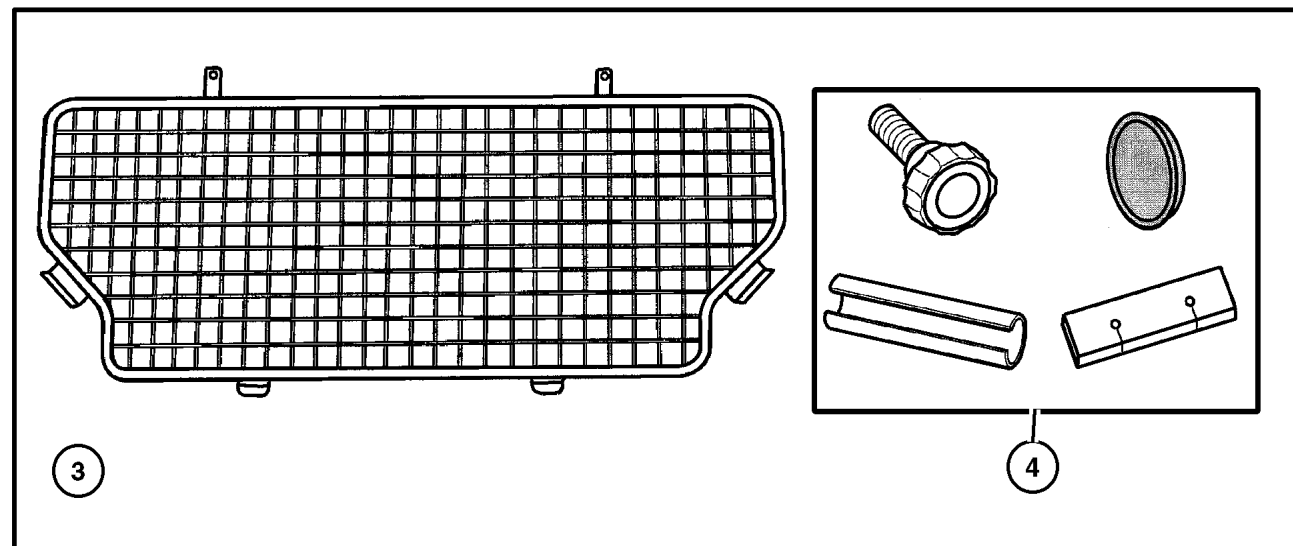
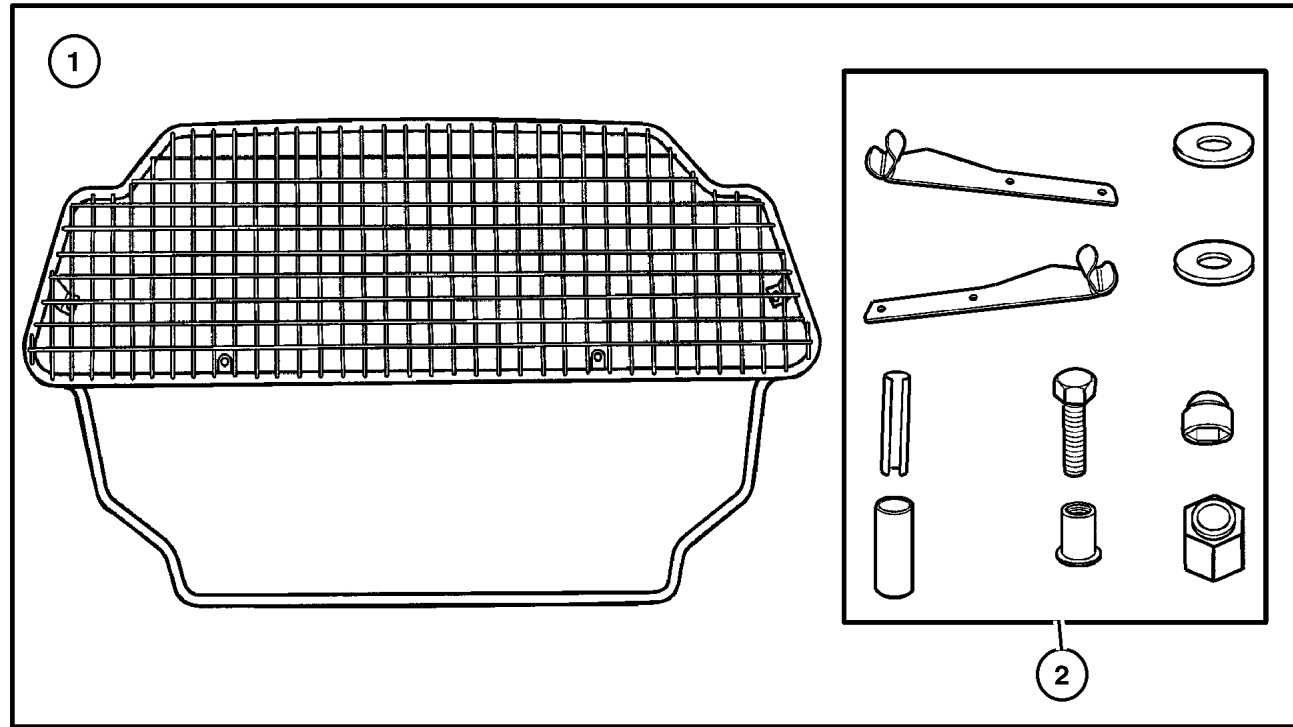


JEEP GRAND CHEROKEE (WJ)				
SERIES	LINE	BODY	ENGINE	TRANSMISSION
H = Laredo	J = 4WD	74 = 4 Door	ERH = 4.0L, Power Tech I-6	DGK = 4 Speed Autm, 42RE
M = Sport	T = 2WD		EVA = 4.7L, Power Tech V8	DGQ = 5 Speed Automatic, 45RFE
P = Limited			EVC = 4.7L HO V8 MPI	DG0 = All Automatic Transm
S = Overland			ERO = All 4.0L 6 Cyl Gas	
			EVO = All 4.7l Gas	

AR = Use as required - = Non illustrated part # = New this model year

May 1, 2002

Guard Kit - Dog
Figure 001-820



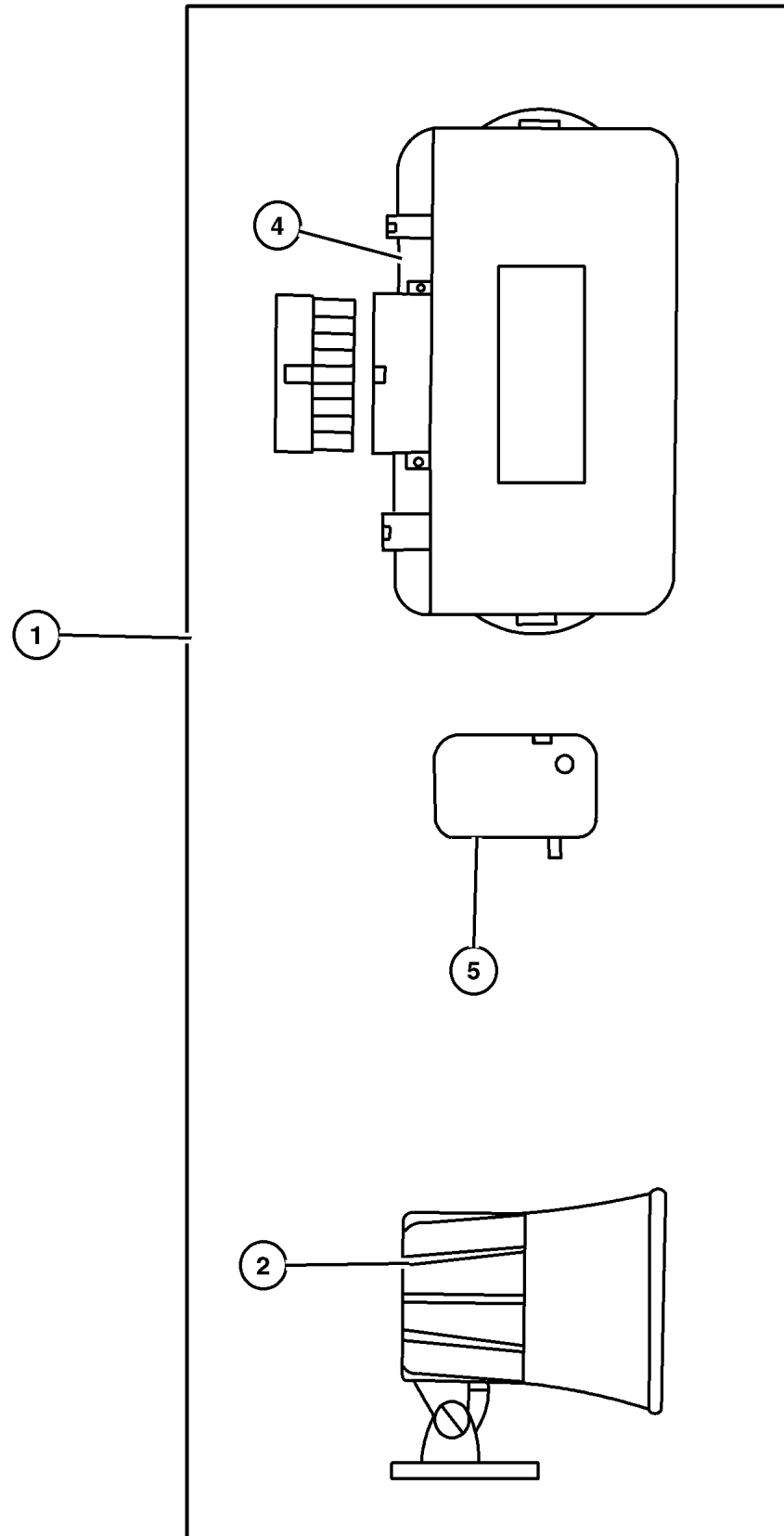
ITEM	PART NUMBER	QTY	LINE	BODY	DESCRIPTION
1	#8220 7563	1			GUARD KIT, Dog Guard, Upper
2	5086 023AA	1		74	HARDWARE KIT, Load Partition, Upper
3	8220 5441	1	J, U	74	GUARD KIT, Dog Guard, Lower
4	5086 024AA	1			HARDWARE KIT, Load Partition, Lower

JEEP GRAND CHEROKEE (WJ)				
SERIES	LINE	BODY	ENGINE	TRANSMISSION
H = Laredo	J = 4WD	74 = 4 Door	ERH = 4.0L, Power Tech I-6	DGK = 4 Speed Autm, 42RE
M = Sport	T = 2WD		EVA = 4.7L, Power Tech V8	DGQ = 5 Speed Automatic, 45RFE
P = Limited			EVC = 4.7L HO V8 MPI	DG0 = All Automatic Transm
S = Overland			ERO = All 4.0L 6 Cyl Gas	
			EVO = All 4.7l Gas	

AR = Use as required - = Non illustrated part # = New this model year

May 1, 2002

**Alarm - EVS Plus System
Figure 001-914**



ITEM	PART NUMBER	QTY	LINE	BODY	DESCRIPTION
1	8220 4268	1	J, T	74	MODULE, Security Alarm
2	8220 3198	1	J, T	74	SIREN, Alarm
-3	4886 259AA	1	J, T	74	INDICATOR, Valet Status
4	5011 619AA	1	J, T	74	MODULE, Security Alarm
5	4886 261AA	1	J, T	74	SENSOR, Shock, With Connector

JEEP GRAND CHEROKEE (WJ)				
SERIES	LINE	BODY	ENGINE	TRANSMISSION
H = Laredo	J = 4WD	74 = 4 Door	ERH = 4.0L, Power Tech I-6	DGK = 4 Speed Autm, 42RE
M = Sport	T = 2WD		EVA = 4.7L, Power Tech V8	DGQ = 5 Speed Automatic, 45RFE
P = Limited			EVC = 4.7L HO V8 MPI	DG0 = All Automatic Transm
S = Overland			ERO = All 4.0L 6 Cyl Gas	
			EVO = All 4.7l Gas	

AR = Use as required - = Non illustrated part # = New this model year

May 1, 2002

Group – 002

Front Suspension & Drive

GROUP 2 - Front Suspension & Drive

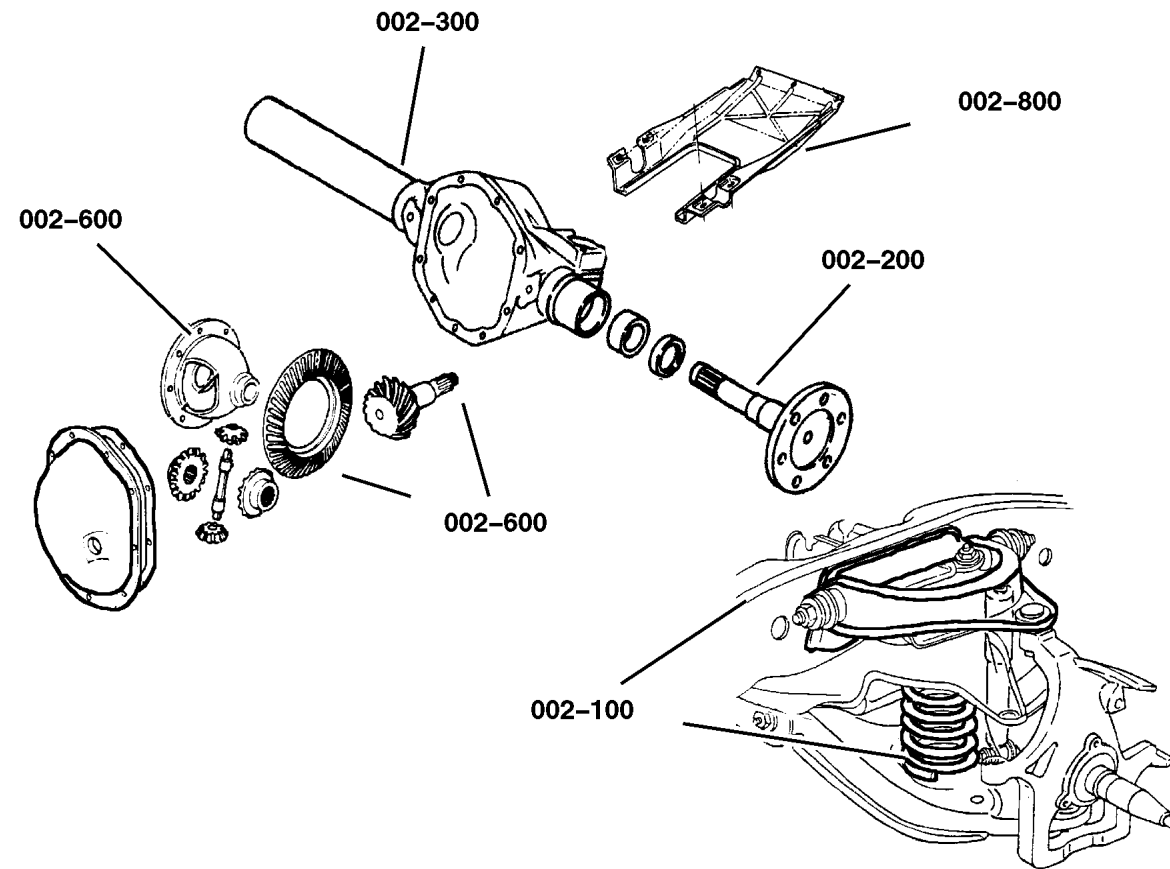


Illustration Title

Group-Fig. No.

Front Suspension

Front Stabilizer Bar and Track Bar Fig. 002-110
 Suspension, Front Springs with Control Arms and Shocks Fig. 002-120

Front Axle Drive Shafts

Front Axle Shafts Fig. 002-210

Front Axle Housing

Housing,Front Axle,2 Wheel Drive Fig. 002-310
 Housing,Front Axle,4 Wheel Drive Fig. 002-320

Front Axle Assembly

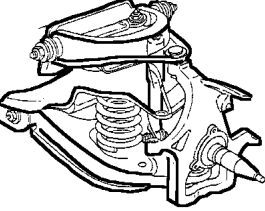
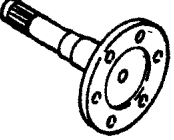
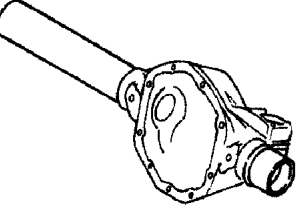
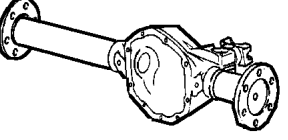
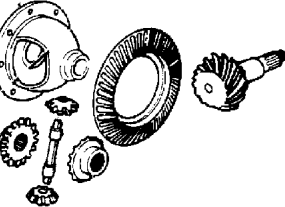
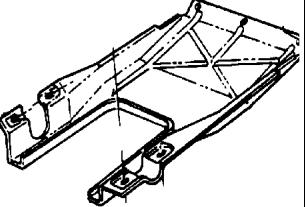
Front Axle Assembly Fig. 002-410

Front Axle Differential

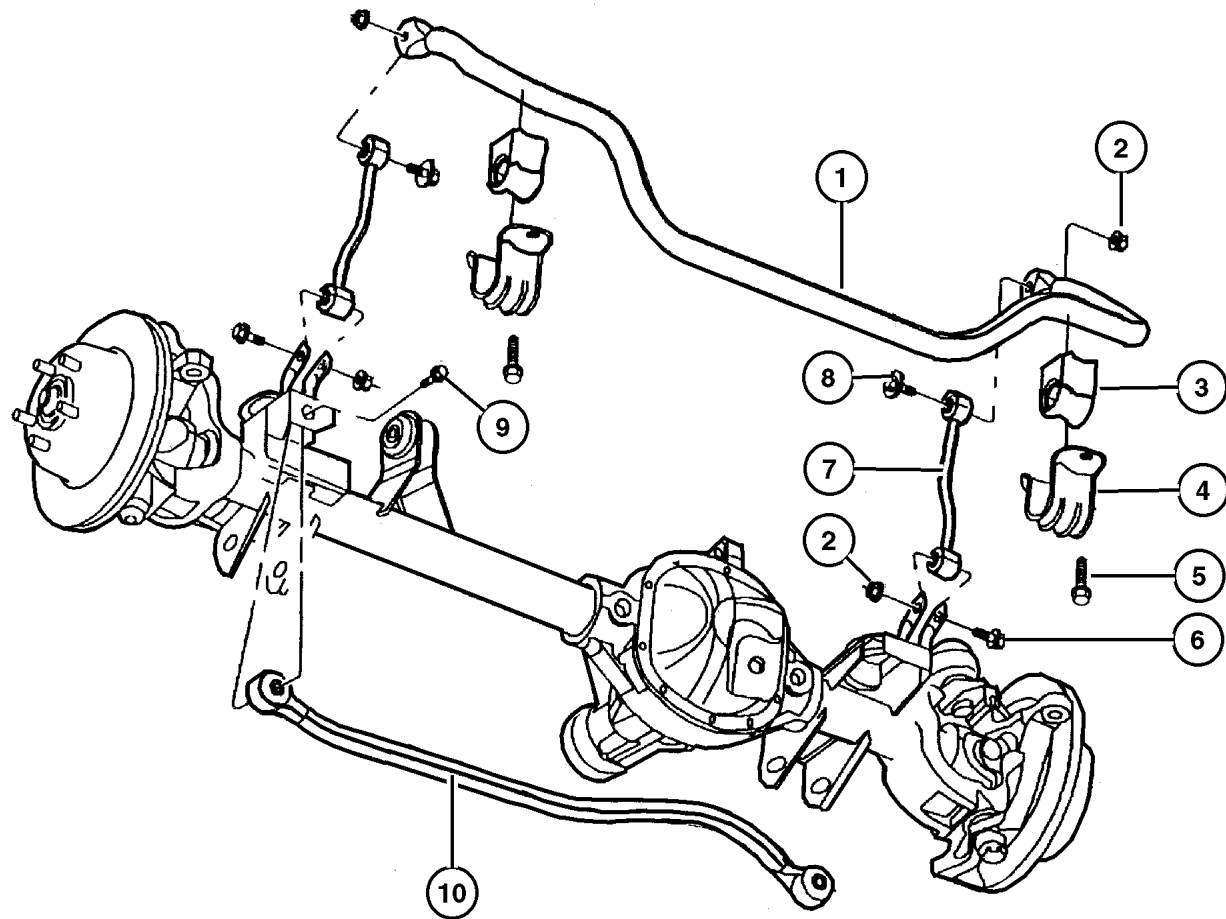
Differential, Front Axle Fig. 002-610

Front Axle Skid Plate

Skid Plate, Front Axle Fig. 002-810

<p>002-100 Front Suspension</p> 	<p>002-200 Front Axle Drive Shafts</p> 	<p>002-300 Front Axle Housing</p> 	<p>002-400 Front Axle Assembly</p> 
<p>002-600 Front Axle Differential</p> 	<p>002-800 Front Axle Skid Plate</p> 		

**Front Stabilizer Bar and Track Bar
Figure 002-110**



ITEM	PART NUMBER	QTY	LINE	BODY	ENGINE	TRANS	DESCRIPTION
Note:Sales Codes;							
[ER0]=Engines - All 4.0L 6 Cylinder Gas							
[EV0]=Engines - All 4.7L Gas							
1	5208 8281	1			ERO, EVO		BAR, Front Sway
2	6502 697	4					NUT, Hex Flange Lock, M12x1.75
3	52088 284AD	2					BUSHING, Sway Bar
4	5208 8285	2					RETAINER, Sway Bar
5	6502 936	4					SCREW AND WASHER, Hex Head Pilot Point, M12x1.75x45
6	6502 473	2					BOLT, Hex Flange Head, M12x1.75x65
7	5208 8283	2					LINK, Sway Eliminator
8	6505 353AA	2					SCREW AND WASHER, M12x1.75x60
9	6506 147AA	1					SCREW, Hex Flange Head, M12x1.75x80, Track Bar to Axle, Mounting
10	52088 305AB	1	J				TRACK BAR, Front
-11	6505 324AA	1					BOLT AND RETAINER, M12x1.75x80, Track Bar to Body, Mounting
-12	6502 697	1					NUT, Hex Flange Lock, M12x1.75, Track Bar to Body, Mounting

JEEP GRAND CHEROKEE (WJ)

SERIES	LINE	BODY	ENGINE	TRANSMISSION
H = Laredo	J = 4WD	74 = 4 Door	ERH = 4.0L, Power Tech I-6	DGK = 4 Speed Autm, 42RE
M = Sport	T = 2WD		EVA = 4.7L, Power Tech V8	DGQ = 5 Speed Automatic, 45RFE
P = Limited			EVC = 4.7L HO V8 MPI	DG0 = All Automatic Transm
S = Overland			ERO = All 4.0L 6 Cyl Gas	
			EVO = All 4.7l Gas	

AR = Use as required - = Non illustrated part # = New this model year

May 1, 2002

Suspension, Front Springs with Control Arms and Shocks

Figure 002-120

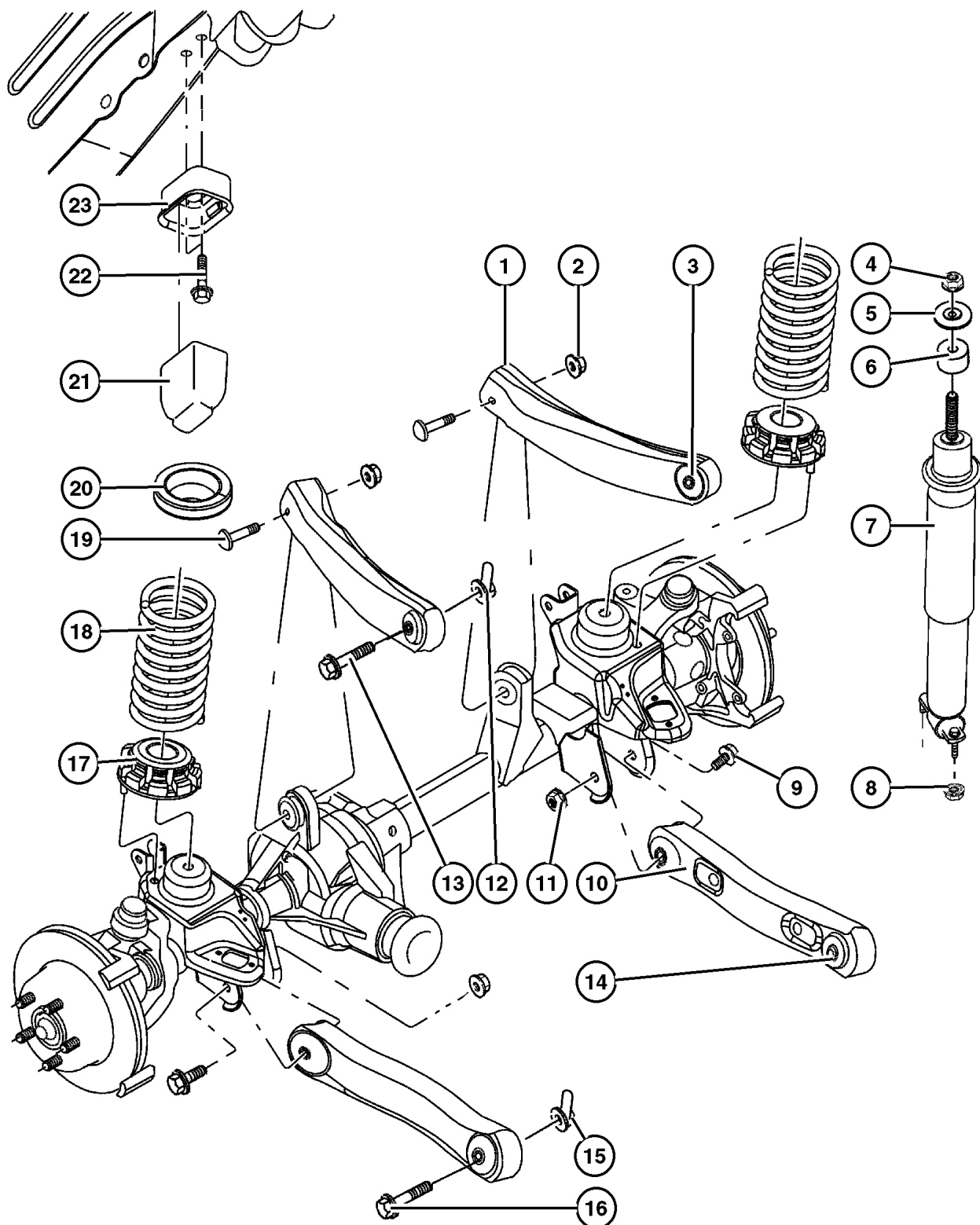
ITEM	PART NUMBER	QTY	LINE	BODY	ENGINE	TRANS	DESCRIPTION
Note: Sales Codes;							
[ER0]=Engines - All 4.0L 6 Cylinder Gas							
[EV0]=Engines - All 4.7L Gas							
[SDA]=Suspension - Quadra Coil							
[SDU]=Heavy Duty Suspension							
[SDV]=Suspension - Overland							
[ZKE] to [ZZG]=Spring Sales Codes will be found on Vehicle Identification Number [VIN] Sales Code Listing.							
1	52088 208AC	2					ARM, Control, with Bushing, Upper
2	6502 696	2					NUT, Hex Flange Lock, M10x1.5, UCA to Axle, Mounting
3	5208 8214	2					BUSHING, Control Arm, to Sill
4	6506 443AA	2					NUT, Nylock Hex, M10x1.5, Shock, Mounting
5	5208 8517	2					RETAINER, Shock Absorber, Upper
6	52088 289AB	2					GROMMET, Shock Absorber
7	5014 730AH	2					SHOCK ABSORBER PACKAGE, Suspension, Front [SDA]
	#5014 732AD	2					[SDU]
8	6101 695	4					NUT, Hex Flange Lock, M8x1.25, Shock Mounting, Lower
9	6505 214AA	2					SCREW, Hex Flange Head, M14x2.00x114, LCA to Axle, Mounting
10	#52080 138AA	2					ARM, Control [SDV] with Bushing, Lower
	52088 217AB	2					with Bushing, Lower
11	6502 698	3					NUT, Hex Flange Lock, LCA to Axle, Mounting
12	6505 438AA	2					NUT, Hex, M10-1.5, UCA to Sill, Mounting
13	6505 472AA	2					SCREW, Hex Flange Head, M10x1.50x81, UCA to Sill, Mounting
14	5208 8220	2					BUSHING, Control Arm UCA to Sill
	52080 312AA	2					[SDV] UCA to Sill
15	6505 439AA	1					NUT AND RETAINER, Hex Flange Locking, M14 x 2.00, LCA to Sill
16	6506 033AA	2					BOLT, Hex Flange Head, M14x2.0x105, LCA to Sill
17	5208 8401	2					ISOLATOR, Front Suspension Spring, Lower
18	5208 8262	1					SPRING, Front Coil [ZKE,ZYE]
	5208 8263	1					[ZKF,ZYF]
	5208 8264	1					[ZKG,ZYG]
	5208 8265	1					[ZKH,ZYH]
	5208 8267	1					[ZLE,ZZE]
	5208 8268	1					[ZLF,ZZF]

JEEP GRAND CHEROKEE (WJ)

SERIES	LINE	BODY	ENGINE	TRANSMISSION
H = Laredo	J = 4WD	74 = 4 Door	ERH = 4.0L, Power Tech I-6	DGK = 4 Speed Autm, 42RE
M = Sport	T = 2WD		EVA = 4.7L, Power Tech V8	DGQ = 5 Speed Automatic, 45RFE
P = Limited			EVC = 4.7L HO V8 MPI	DG0 = All Automatic Transm
S = Overland			ERO = All 4.0L 6 Cyl Gas	
			EVO = All 4.7L Gas	

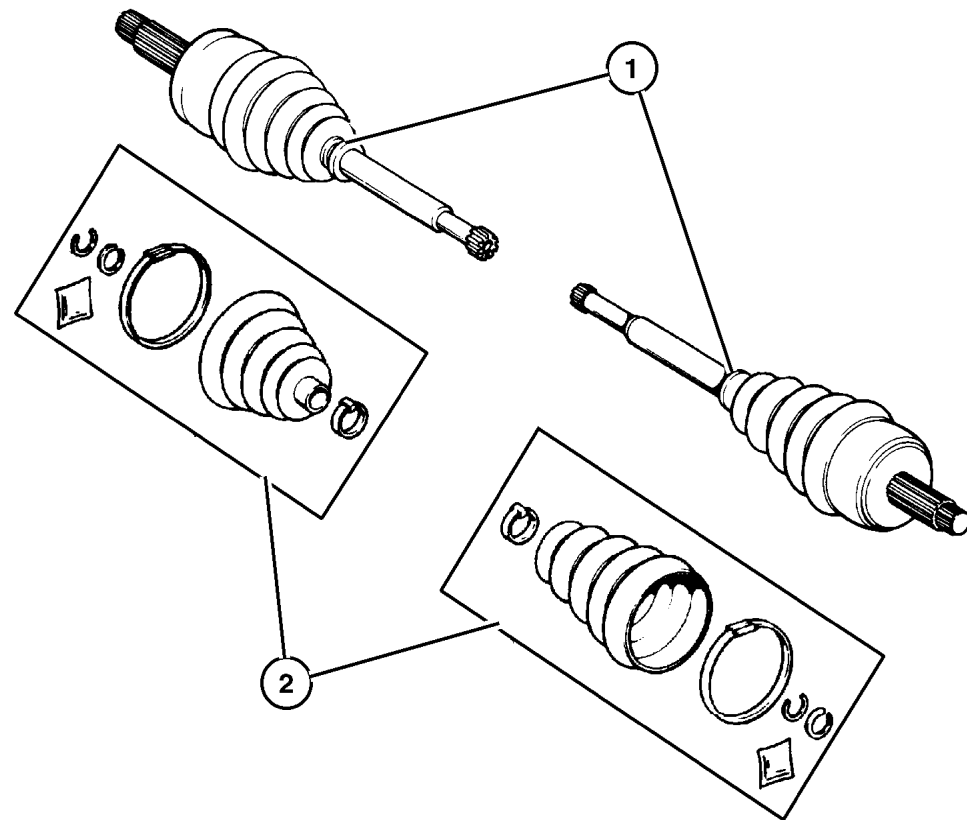
AR = Use as required - = Non illustrated part # = New this model year

May 1, 2002



Front Axle Shafts
Figure 002-210

ITEM	PART NUMBER	QTY	LINE	BODY	ENGINE	TRANS	DESCRIPTION
Note;Sales Code;							
[DSB]=Axle - Vari-Lok Progressive Front							
1							SHAFT, Axle
	5012 456AB	1	J				without [DSB], Right
	5012 457AB	1	J				without [DSB], Left
	5012 748AB	1	J				[DSB], Right
	5012 749AB	1	J				[DSB], Left
2	4796 233AB	1	J				BOOT KIT, Half Shaft, Consists of 1-Boot,2-Clamps, and 1-Grease Packet, Right or Left

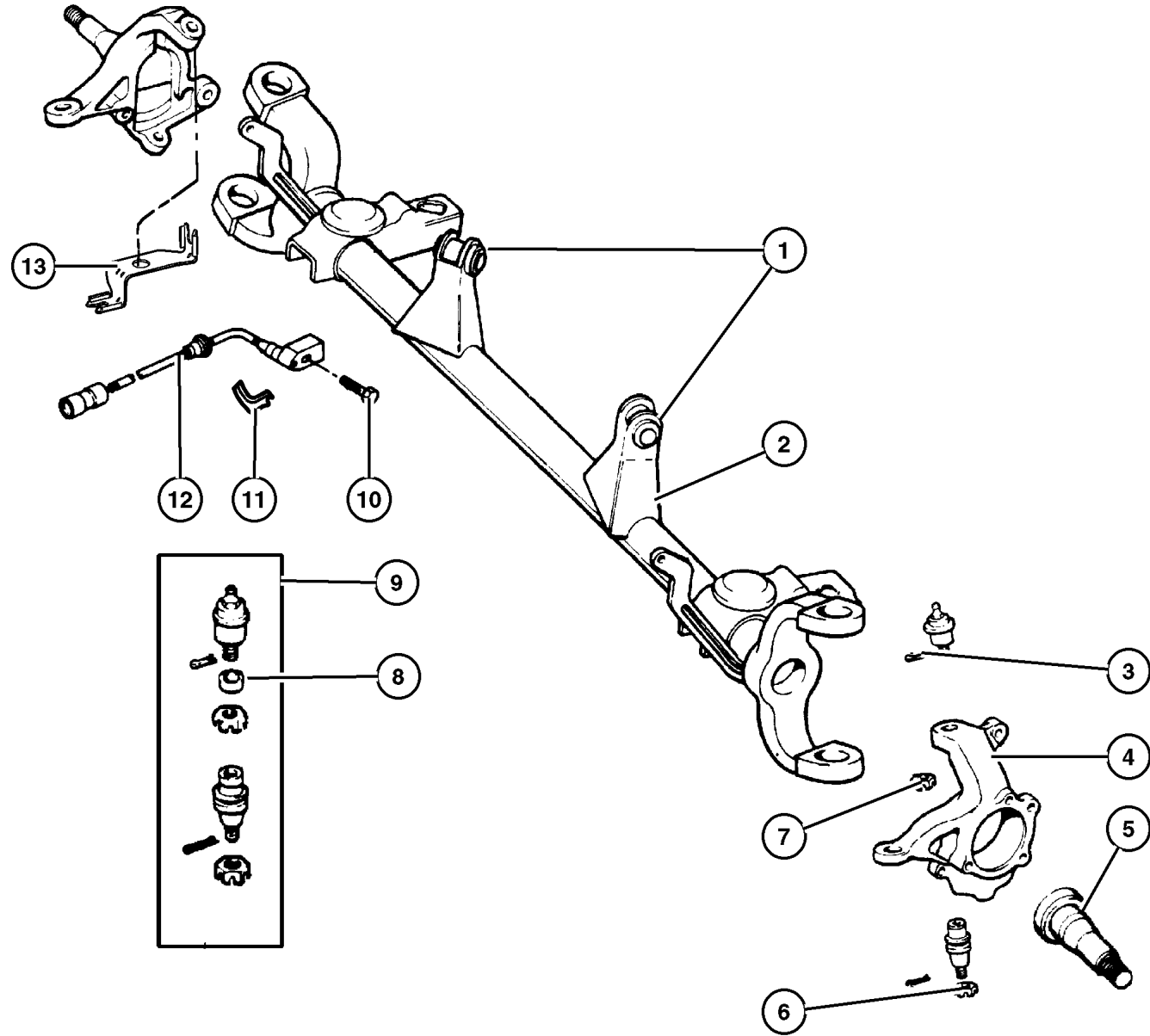


JEEP GRAND CHEROKEE (WJ)				
SERIES	LINE	BODY	ENGINE	TRANSMISSION
H = Laredo	J = 4WD	74 = 4 Door	ERH = 4.0L, Power Tech I-6	DGK = 4 Speed Autm, 42RE
M = Sport	T = 2WD		EVA = 4.7L, Power Tech V8	DGQ = 5 Speed Automatic, 45RFE
P = Limited			EVC = 4.7L HO V8 MPI	DG0 = All Automatic Transm
S = Overland			ERO = All 4.0L 6 Cyl Gas	
			EVO = All 4.7l Gas	

AR = Use as required - = Non illustrated part # = New this model year

May 1, 2002

Housing,Front Axle,2 Wheel Drive
Figure 002-310



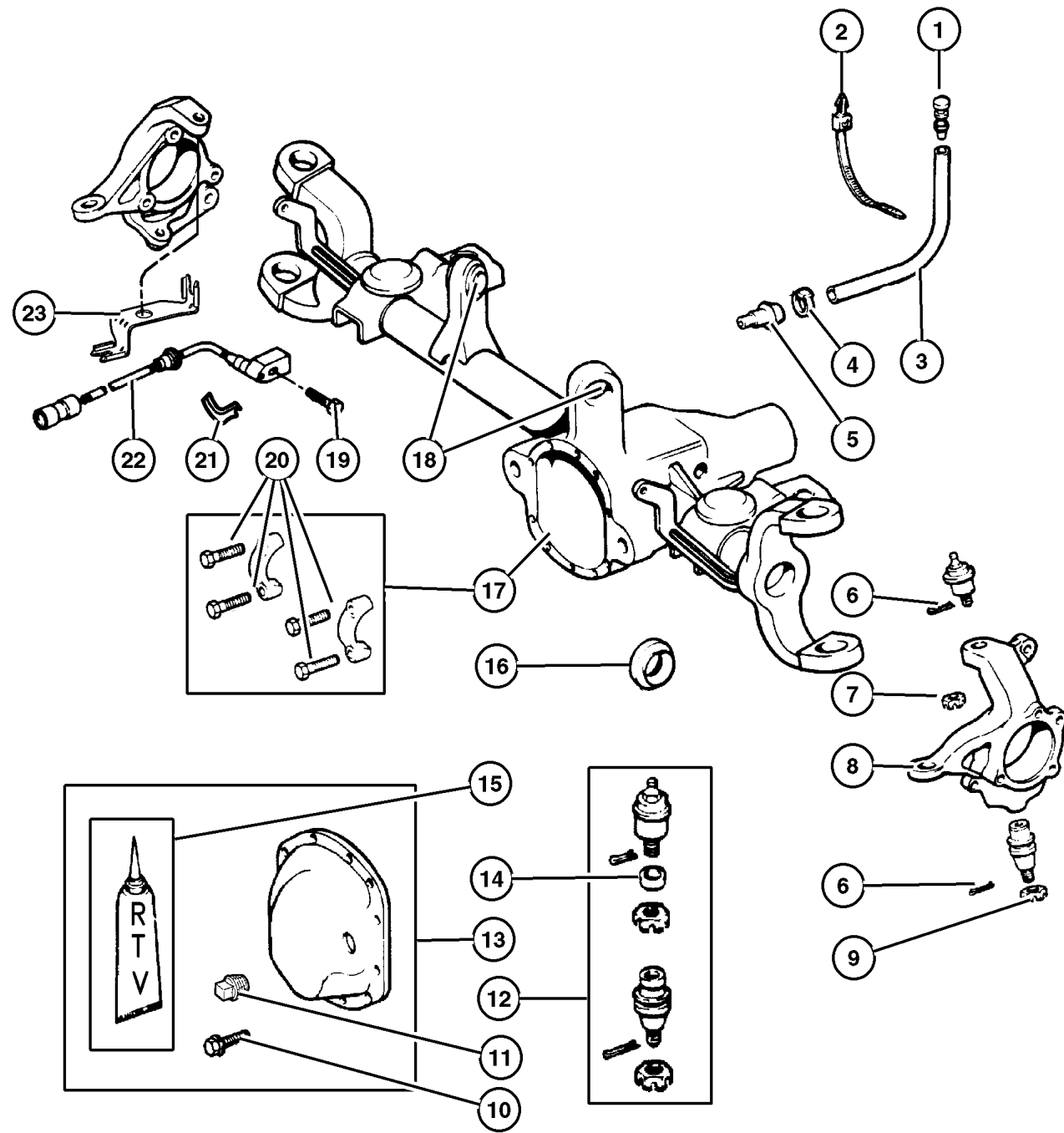
ITEM	PART NUMBER	QTY	LINE	BODY	ENGINE	TRANS	DESCRIPTION
1	5208 8214	2	T				BUSHING, Control Arm, Upper
2	5012 433AA	1	T				HOUSING, Axle
3	1101 0069	6	T				PIN, Cotter, M4x40.00
4							KNUCKLE, Front
	5011 976AB	1	T				Right
	5011 977AB	1	T				Left
5	5012 438AA	2	T				SHAFT, Dummy, Right or Left
6	J812 3318	2	T				NUT, Ball Joint Mounting, Lower
7	J012 5258	2	T				NUT, Hex Slotted, Ball Joint Mounting, Upper
8	8350 0203	1	T				RING, Ball Joint, Upper
9	5012 432AA	2	T				BALL JOINT KIT, Knuckle
10	5014 326AA	2	T				BOLT
11							BRACKET, Brake Sensor Wire
	5014 324AA	1	T				Right
	5014 325AA	1	T				Left
12							SENSOR, Wheel Speed
	56041 316AB	1	T				Right
	56041 317AB	1	T				Left
13							BRACKET, Brake Sensor
	5602 6766	1	T				Right
	5602 6767	1	T				Left

JEEP GRAND CHEROKEE (WJ)				
SERIES	LINE	BODY	ENGINE	TRANSMISSION
H = Laredo	J = 4WD	74 = 4 Door	ERH = 4.0L, Power Tech I-6	DGK = 4 Speed Autm, 42RE
M = Sport	T = 2WD		EVA = 4.7L, Power Tech V8	DGQ = 5 Speed Automatic, 45RFE
P = Limited			EVC = 4.7L HO V8 MPI	DG0 = All Automatic Transm
S = Overland			ERO = All 4.0L 6 Cyl Gas	
			EVO = All 4.7I Gas	

AR = Use as required - = Non illustrated part # = New this model year

May 1, 2002

Housing,Front Axle,4 Wheel Drive
Figure 002-320



ITEM	PART NUMBER	QTY	LINE	BODY	ENGINE	TRANS	DESCRIPTION
1	52099 257AA	1	J				VENT, Axle, Upper
2	J417 5376	3					STRAP, Tie
3	HFV0 0516	2					HOSE, Fuel And Vapor, 25 Foot Roll 5/16"
4	6503 573	1					CLIP, Lower
5	8350 4653	1	J				VENT, Axle, Lower
6	1101 0069	2	J				PIN, Cotter, M4x40.00, As Required
7	J012 5258	1	J				NUT, Hex Slotted, As Required, Upper
8							KNUCKLE, Front
	5011 976AB	1	J				Right
	5011 977AB	1	J				Left
9	J812 3318	1	J				NUT, As Required, Lower
10	2954 031	10	J				BOLT, Differential Cover
11	J400 4751	1	J				PLUG, Differential Cover
12	5012 432AA	2	J				BALL JOINT KIT, Knuckle, Right or Left
13	5012 451AA	1	J				COVER, Differential
14	8350 0203	1	J				RING, Ball Joint, As Required
15	5010 884AA	1	J				SEALANT, RTV
16	4874 477	2	J				SEAL, Axle Drive Shaft, Right or Left
17	5012 445AB	1	J				HOUSING, Axle
18	5208 8214	2	J				BUSHING, Control Arm, Control Arm, Upper
19	5012 434AA	2	J				BOLT, Sensor, Mounting
20	4897 482AB	4	J				BOLT, Differential
21							BRACKET, Brake Sensor Wire
	5014 324AA	1	J				Right
	5014 325AA	1	J				Left
22							SENSOR, Wheel Speed
	56041 316AB	1	J				Right
	56041 317AB	1	J				Left
23							BRACKET, Brake Sensor
	5602 6766	1	J				Right
	5602 6767	1	J				Left

JEEP GRAND CHEROKEE (WJ)

SERIES	LINE	BODY	ENGINE	TRANSMISSION
H = Laredo	J = 4WD	74 = 4 Door	ERH = 4.0L, Power Tech I-6	DGK = 4 Speed Autm, 42RE
M = Sport	T = 2WD		EVA = 4.7L, Power Tech V8	DGQ = 5 Speed Automatic, 45RFE
P = Limited			EVC = 4.7L HO V8 MPI	DG0 = All Automatic Transm
S = Overland			ERO = All 4.0L 6 Cyl Gas	
			EVO = All 4.7I Gas	

AR = Use as required - = Non illustrated part # = New this model year

May 1, 2002

**Front Axle Assembly
Figure 002-410**

ITEM	PART NUMBER	QTY	LINE	BODY	ENGINE	TRANS	DESCRIPTION
------	-------------	-----	------	------	--------	-------	-------------

Note:Sales Codes;

[DHF]=Quadra-Trac II On Demand 4 Wheel Drive System

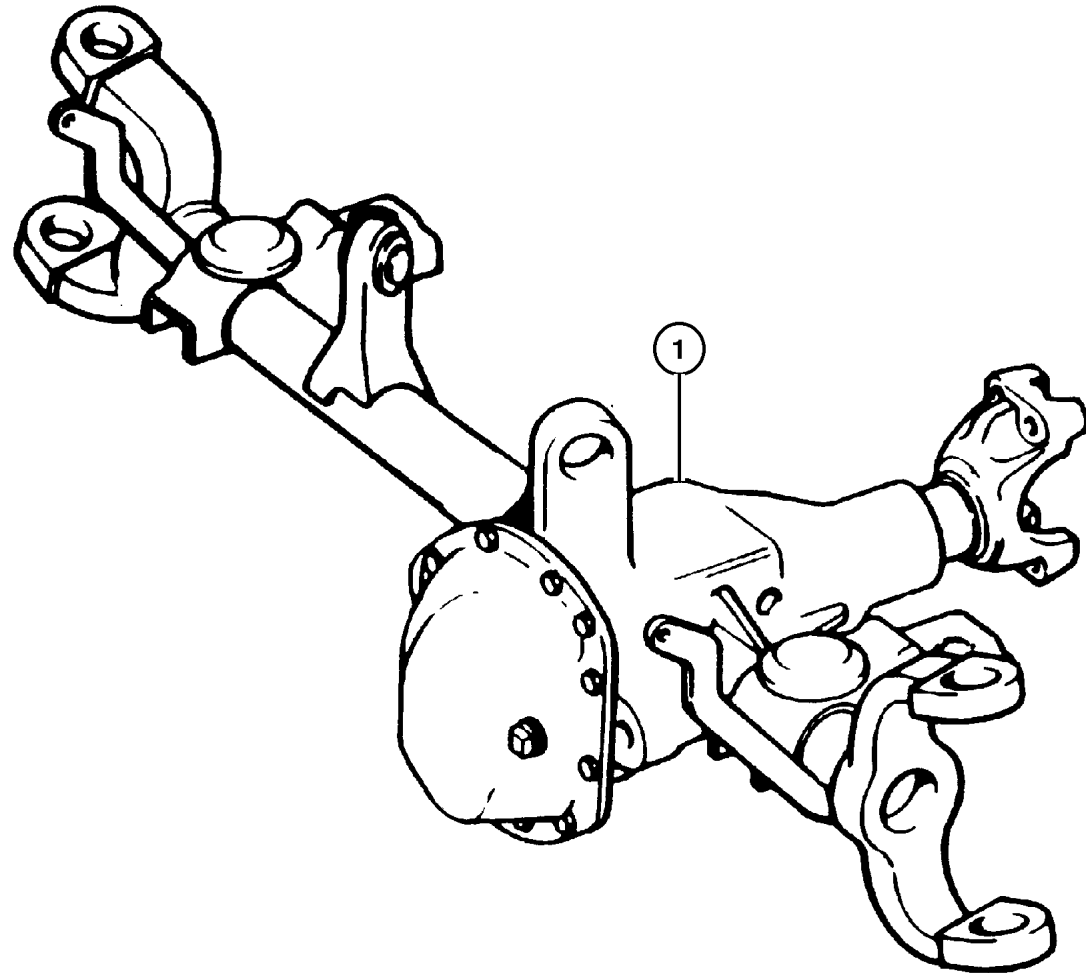
[DHP]=Selec-Trac Full Time 4 Wheel Drive System

[DMD]=Axle Ratio 3.55

[DME]=Axle Ratio 3.73

[DSB]=Axle - Vari-Lok Progressive Front

1							AXLE, Service Front
	5073 493AA	1	J				[DMD,DHF,DHP]
	5066 445AA	1	J				[DME,DHF,DHP]
	5066 449AA	1	J				[DME,DHF,DSB]



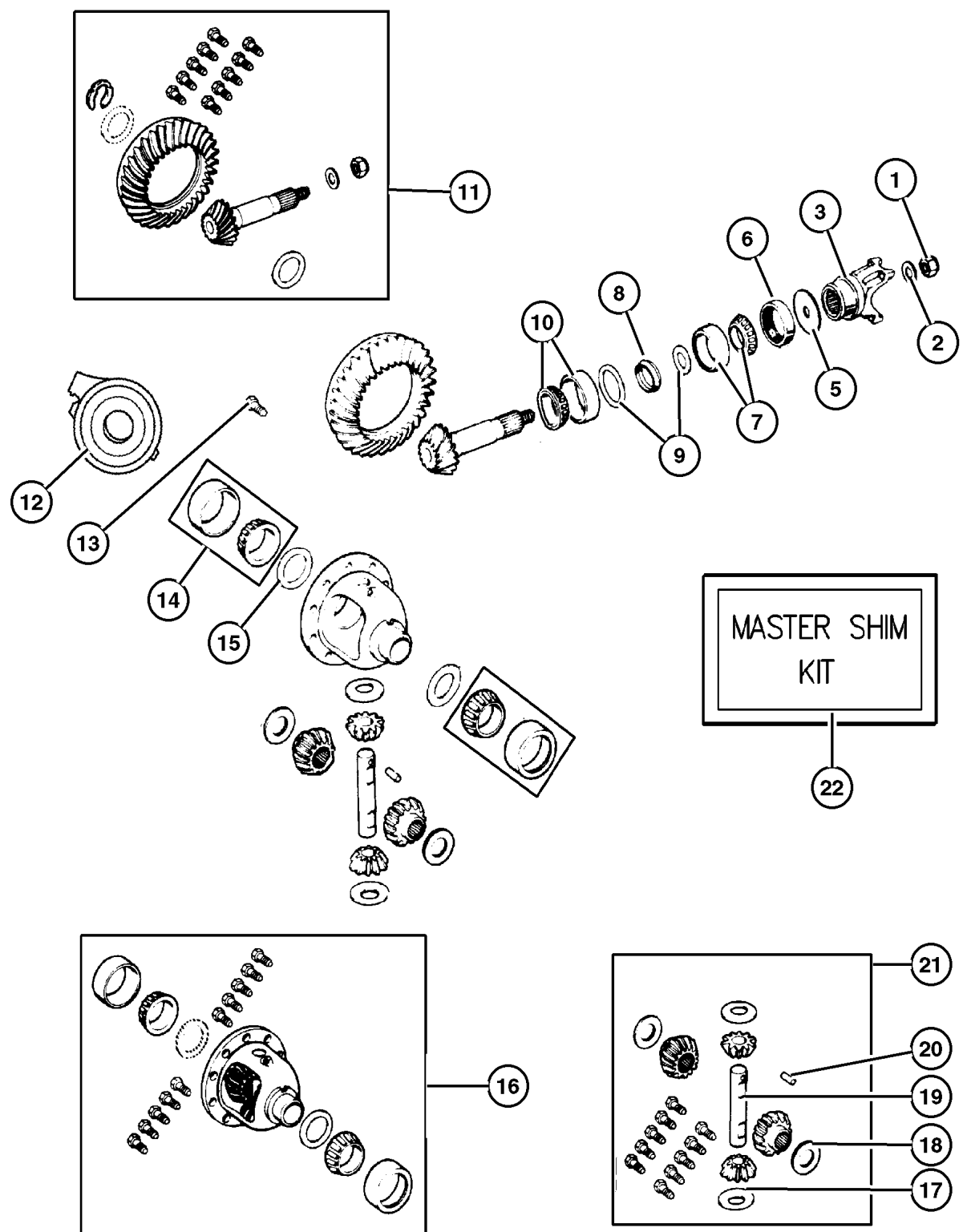
JEEP GRAND CHEROKEE (WJ)

SERIES	LINE	BODY	ENGINE	TRANSMISSION
H = Laredo	J = 4WD	74 = 4 Door	ERH = 4.0L, Power Tech I-6	DGK = 4 Speed Autm, 42RE
M = Sport	T = 2WD		EVA = 4.7L, Power Tech V8	DGQ = 5 Speed Automatic, 45RFE
P = Limited			EVC = 4.7L HO V8 MPI	DG0 = All Automatic Transm
S = Overland			ERO = All 4.0L 6 Cyl Gas	
			EVO = All 4.7l Gas	

AR = Use as required - = Non illustrated part # = New this model year

May 1, 2002

Differential, Front Axle Figure 002-610



ITEM	PART NUMBER	QTY	LINE	BODY	ENGINE	TRANS	DESCRIPTION
Note: Sales Codes;							
[DMD]=Axle Ratio 3.55							
[DME]=Axle Ratio 3.73							
[DSB]=Axle - Vari-Lok Progressive Front							
1	5017 755AA	1	J				NUT, Pinion Yoke
2	1791 576	1	J				WASHER, Pinion Yoke
3	5019 624AA	1	J				YOKE, Axle
-4	5012 453AA	1	J				O RING, Pinion Flange, Fits Over Hub of Axle Yoke
5	4031 974	1	J				SLINGER, Drive Pinion
6	5066 446AA	1	J				SEAL, Drive Pinion
7	5252 508	1	J				BEARING, Drive Pinion, Bearing and Cup, Front
8	4864 845AB	1	J				SPACER, Crush
9							SHIM, Drive Pinion Bearing, Replacement Individual
							PINION Shims for Master Shim Kit 5017134AA.
	5017 139AA	1	J				[.052]
	5017 140AA	1	J				[.053]
	5017 141AA	1	J				[.054]
	5017 142AA	1	J				[.055]
	5017 143AA	1	J				[.056]
	5017 144AA	1	J				[.057]
	5017 145AA	1	J				[.058]
	5017 146AA	1	J				[.059]
	5017 149AA	1	J				[.060]
	5017 150AA	1	J				[.061]
	5017 151AA	1	J				[.062]
	5017 152AA	1	J				[.063]
	5017 153AA	1	J				[.064]
	5017 154AA	1	J				[.065]
	5017 155AA	1	J				[.066]
	5017 156AA	1	J				[.067]
10	J812 6499	1	J				BEARING, Drive Pinion, Bearing and Cup, Rear
11							GEAR KIT, Ring And Pinion
	5012 476AB	1	J				[DMD]
	5012 447AB	1	J				[DME]
12	5012 725AA	1	J				PLENUM, Differential, [DSB]
13	5252 503	10	J				SCREW, Drive Gear
14	J812 6500	1	J				BEARING, Differential, Consists of 2 Bearings and 2 Cups
15							SHIM, Differential Bearing, Replacement Individual
	5017 218AA	1	J				DIFFERENTIAL Shims for Master Kit 5017134AA
							[.109]

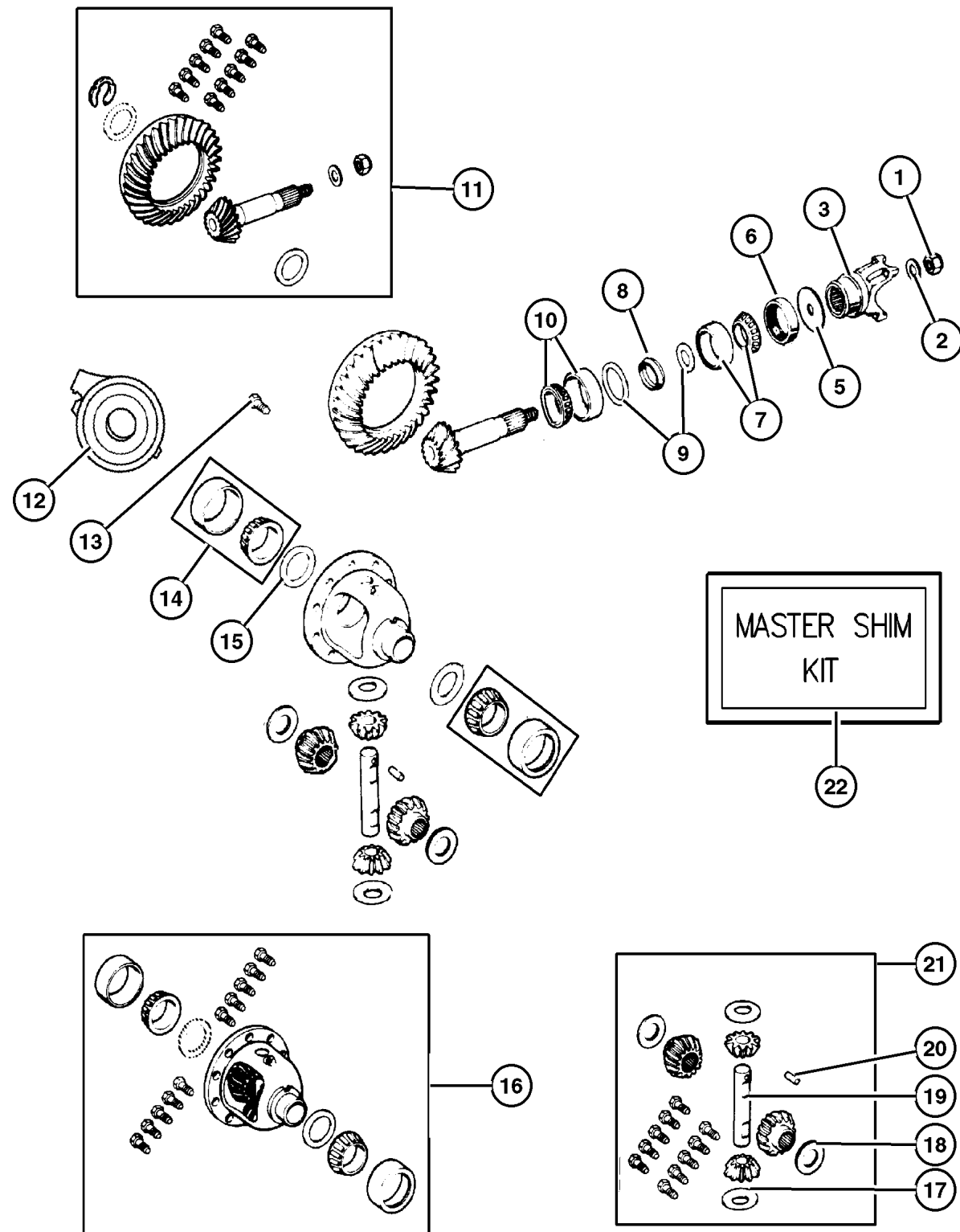
JEEP GRAND CHEROKEE (WJ)

SERIES	LINE	BODY	ENGINE	TRANSMISSION
H = Laredo	J = 4WD	74 = 4 Door	ERH = 4.0L, Power Tech I-6	DGK = 4 Speed Autm, 42RE
M = Sport	T = 2WD		EVA = 4.7L, Power Tech V8	DGQ = 5 Speed Automatic, 45RFE
P = Limited			EVC = 4.7L HO V8 MPI	DG0 = All Automatic Transm
S = Overland			ERO = All 4.0L 6 Cyl Gas	
			EVO = All 4.7L Gas	

AR = Use as required - = Non illustrated part # = New this model year

May 1, 2002

Differential, Front Axle Figure 002-610



ITEM	PART NUMBER	QTY	LINE	BODY	ENGINE	TRANS	DESCRIPTION
	5017 219AA	1	J				[.110]
	5017 220AA	1	J				[.111]
	5017 221AA	1	J				[.112]
	5017 222AA	1	J				[.113]
	5017 223AA	1	J				[.114]
	5017 224AA	1	J				[.115]
	5017 225AA	1	J				[.116]
	5017 226AA	1	J				[.117]
	5017 227AA	1	J				[.118]
	5017 228AA	1	J				[.119]
	5017 229AA	1	J				[.120]
	5017 230AA	1	J				[.121]
	5017 231AA	1	J				[.122]
	5017 232AA	1	J				[.123]
	5017 233AA	1	J				[.124]
	5017 234AA	1	J				[.125]
	5017 235AA	1	J				[.126]
	5017 236AA	1	J				[.127]
	5017 237AA	1	J				[.128]
	5017 238AA	1	J				[.129]
	5017 239AA	1	J				[.130]
	5017 240AA	1	J				[.131]
	5017 241AA	1	J				[.132]
	5017 242AA	1	J				[.133]
	5017 243AA	1	J				[.134]
	5017 244AA	1	J				[.135]
	5017 245AA	1	J				[.136]
	5017 246AA	1	J				[.137]
	5017 247AA	1	J				[.138]
	5017 248AA	1	J				[.139]
	5017 249AA	1	J				[.140]
	5017 250AA	1	J				[.141]
	5017 251AA	1	J				[.142]
	5017 252AA	1	J				[.143]
	5017 253AA	1	J				[.144]
	5017 254AA	1	J				[.145]
	5017 255AA	1	J				[.146]
	5017 256AA	1	J				[.147]
	5017 257AA	1	J				[.148]
16	5012 477AA	1	J				CASE, Differential [DHF,DHP,DMD] With Internal Parts

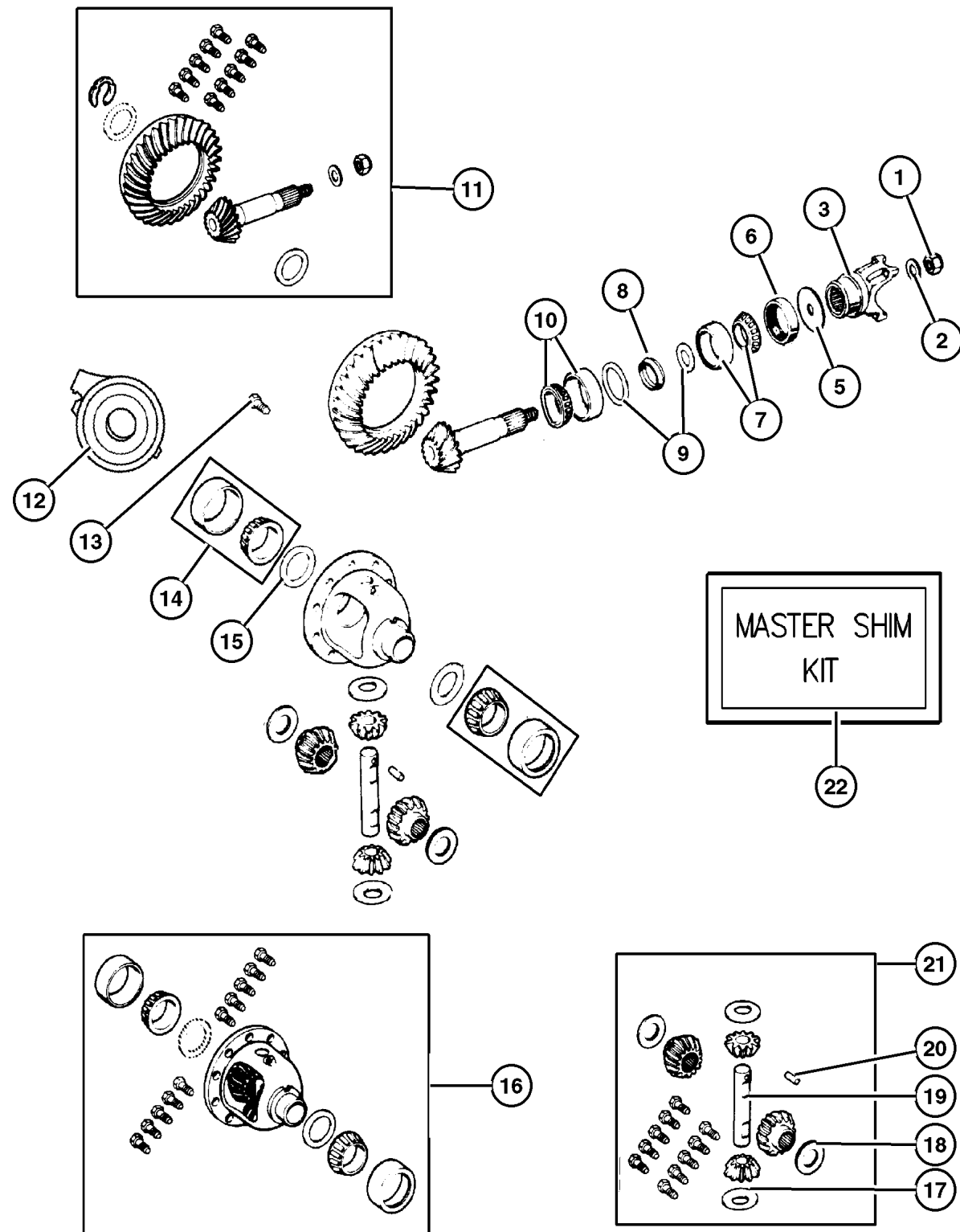
JEEP GRAND CHEROKEE (WJ)

SERIES	LINE	BODY	ENGINE	TRANSMISSION
H = Laredo	J = 4WD	74 = 4 Door	ERH = 4.0L, Power Tech I-6	DGK = 4 Speed Autm, 42RE
M = Sport	T = 2WD		EVA = 4.7L, Power Tech V8	DGQ = 5 Speed Automatic, 45RFE
P = Limited			EVC = 4.7L HO V8 MPI	DG0 = All Automatic Transm
S = Overland			ERO = All 4.0L 6 Cyl Gas	
			EVO = All 4.7l Gas	

AR = Use as required - = Non illustrated part # = New this model year

May 1, 2002

Differential, Front Axle
Figure 002-610



ITEM	PART NUMBER	QTY	LINE	BODY	ENGINE	TRANS	DESCRIPTION
	5252 590	1	J				[DHF,DHP,DME] With Internal Parts
	5012 519AA	1	J				[DHF,DME,DSB] With Internal Parts
17	J812 0831	2	J				WASHER, Flat, Pinion Gear-Without [DSB], Thrust
18	J813 3724	2	J				WASHER, Flat, Side Gear-without [DSB], Thrust
19	5003 840AA	1	J				SHAFT, Differential, Without [DSB]
20	1791 563	1	J				PIN, Differential Shaft, Without [DSB]
21	5252 591	1	J				GEAR KIT, Center Differential, Without [DSB]
22	5017 134AA	1	J				SHIM KIT, Differential, Master Shim Kit for the Complete Differential including All PINION Shims and all DIFFERENTIAL Shims.

JEEP GRAND CHEROKEE (WJ)				
SERIES	LINE	BODY	ENGINE	TRANSMISSION
H = Laredo	J = 4WD	74 = 4 Door	ERH = 4.0L, Power Tech I-6	DGK = 4 Speed Autm, 42RE
M = Sport	T = 2WD		EVA = 4.7L, Power Tech V8	DGQ = 5 Speed Automatic, 45RFE
P = Limited			EVC = 4.7L HO V8 MPI	DG0 = All Automatic Transm
S = Overland			ERO = All 4.0L 6 Cyl Gas	
			EVO = All 4.7l Gas	

AR = Use as required - = Non illustrated part # = New this model year

May 1, 2002

**Skid Plate, Front Axle
Figure 002-810**

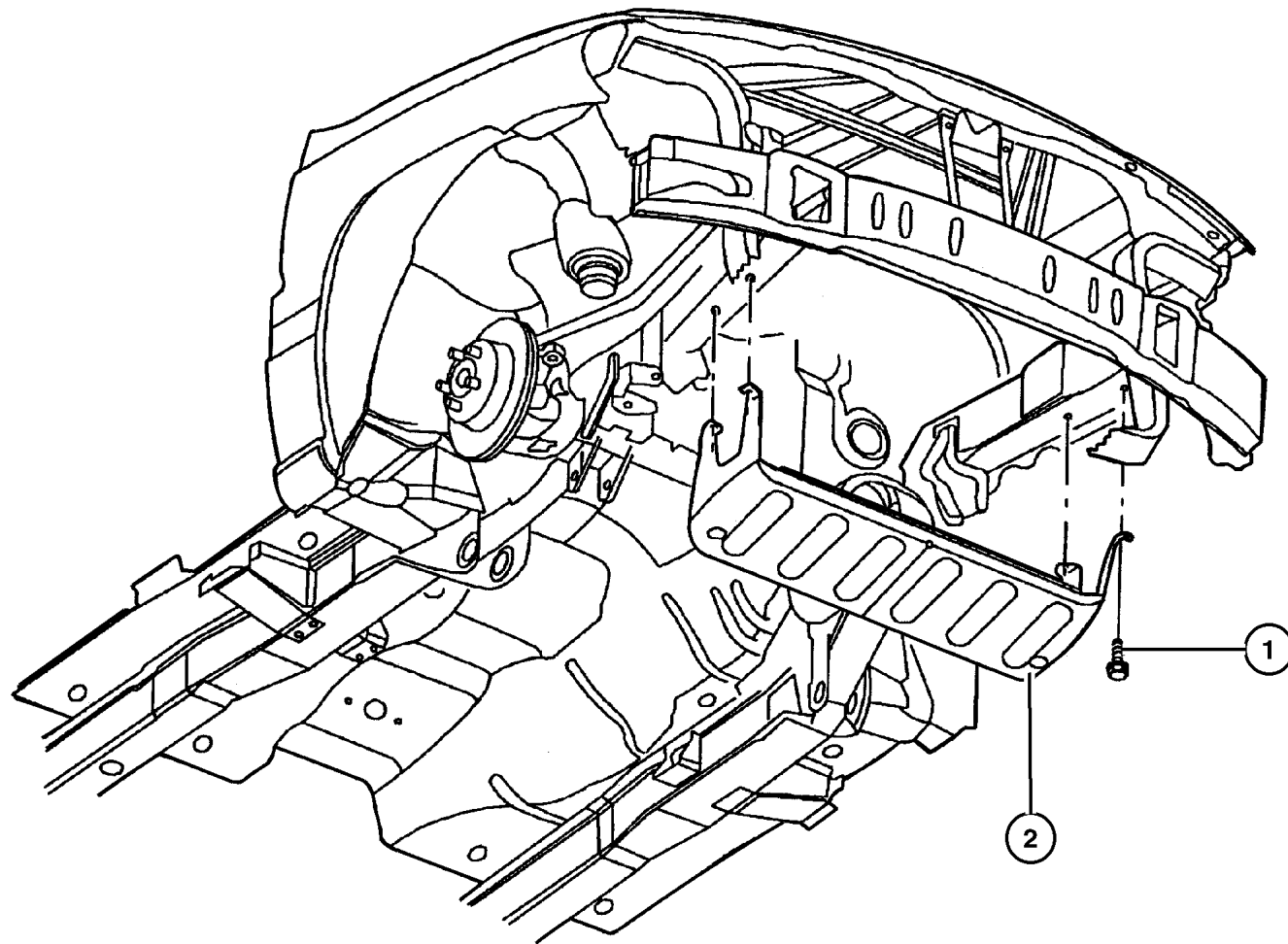
ITEM	PART NUMBER	QTY	LINE	BODY	ENGINE	TRANS	DESCRIPTION
------	-------------	-----	------	------	--------	-------	-------------

Note: Sales Codes;

[ER0]=Engines - All 4.0L 6 Cylinder Gas

[EV0]=Engines - All 4.7L Gas

1	6505 961AA	4	J				SCREW AND WASHER, Hex Head, M10x1.5x40, Skid Plate to Sill
2	#52080 217AA	1	J		ER0, EVO		SKID PLATE, Front



JEEP GRAND CHEROKEE (WJ)

SERIES	LINE	BODY	ENGINE	TRANSMISSION
H = Laredo	J = 4WD	74 = 4 Door	ERH = 4.0L, Power Tech I-6	DGK = 4 Speed Autm, 42RE
M = Sport	T = 2WD		EVA = 4.7L, Power Tech V8	DGQ = 5 Speed Automatic, 45RFE
P = Limited			EVC = 4.7L HO V8 MPI	DG0 = All Automatic Transm
S = Overland			ERO = All 4.0L 6 Cyl Gas	
			EVO = All 4.7L Gas	

AR = Use as required - = Non illustrated part # = New this model year

May 1, 2002

Group – 003

Rear Axle

GROUP 3 - Rear Axle

Illustration Title

Group-Fig. No.

Rear Axle

Axle Assembly,Rear Fig. 003-110

Differential and Housing

Housing,Rear Axle,Dana 35C/194MM [DRM] Fig. 003-210

Housing,Rear Axle,Dana 44/226MM [DRK] Fig. 003-220

Differential,Dana 35C/194MM [DRM] Fig. 003-230

Differential,Without Vari-Lok Progressive [DSC],Dana 44/226MM [DRK] Fig. 003-240

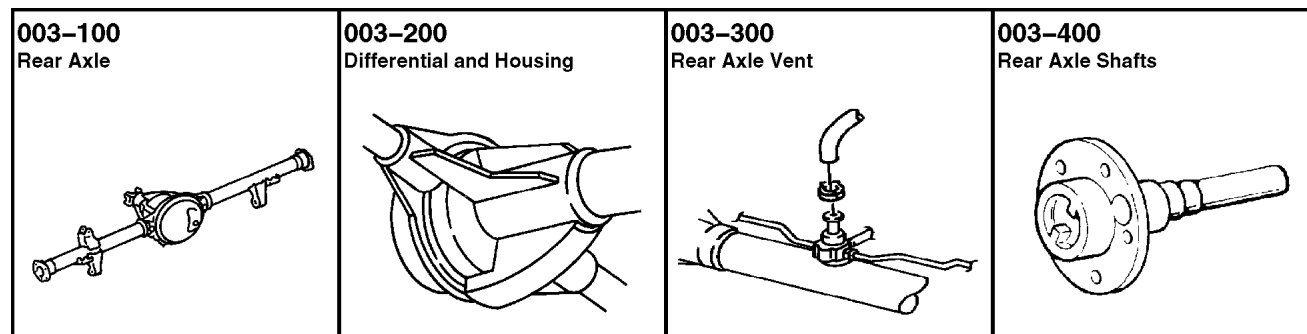
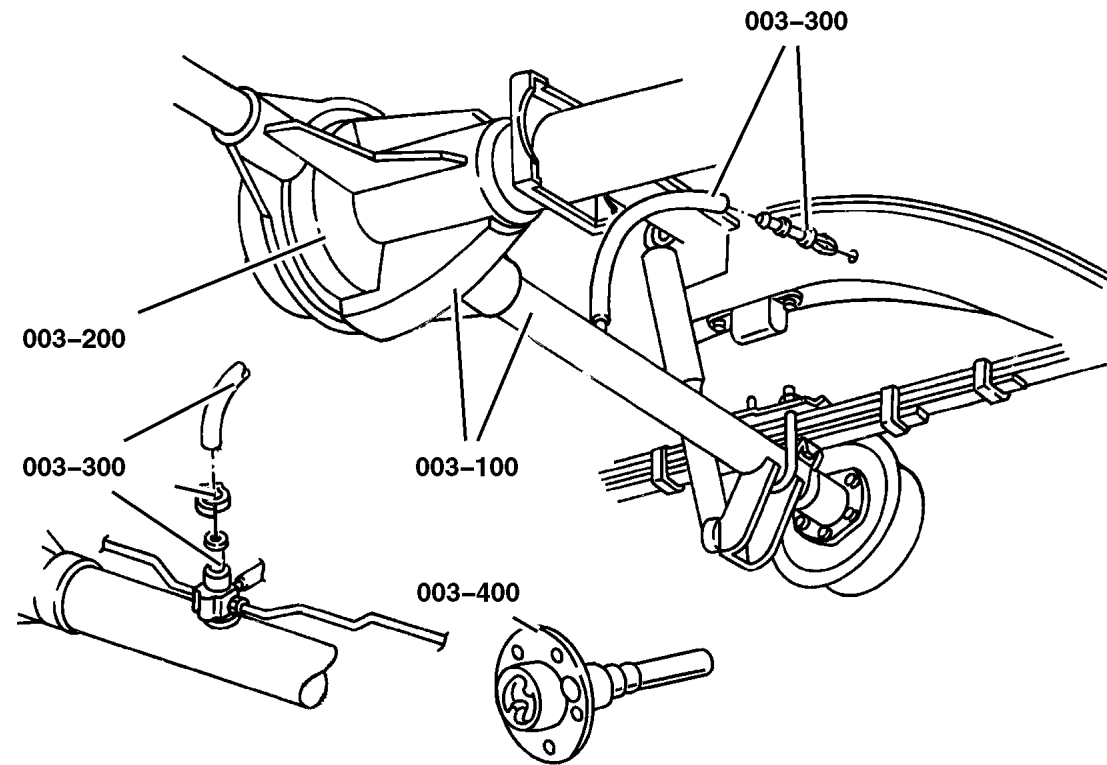
Differential,With Vari-Lok Progressive [DSC],Dana 44/226MM [DRK] Fig. 003-250

Rear Axle Vent

Rear Axle Vent Fig. 003-310

Rear Axle Shafts

Shaft,Rear Axle Fig. 003-410

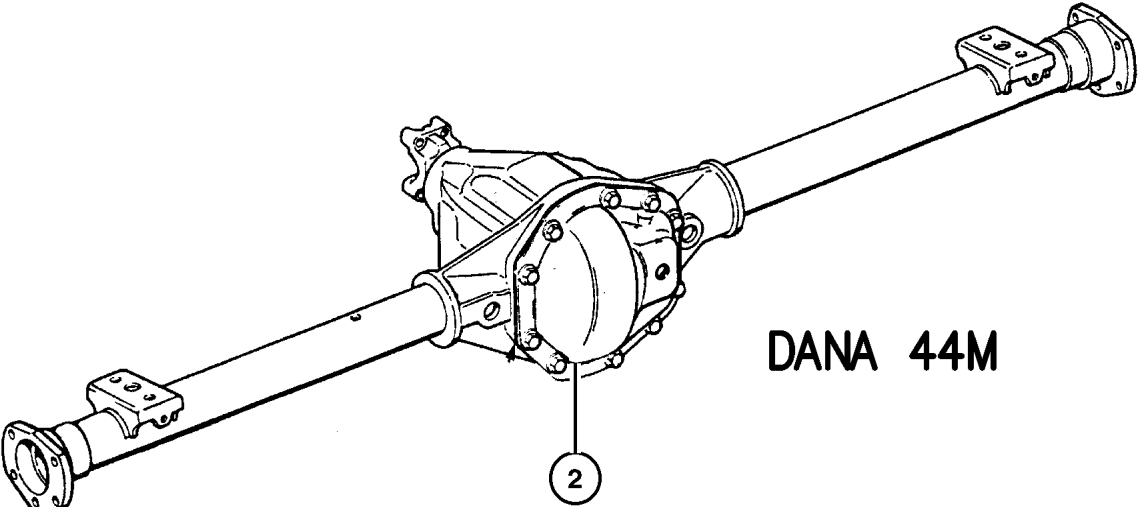
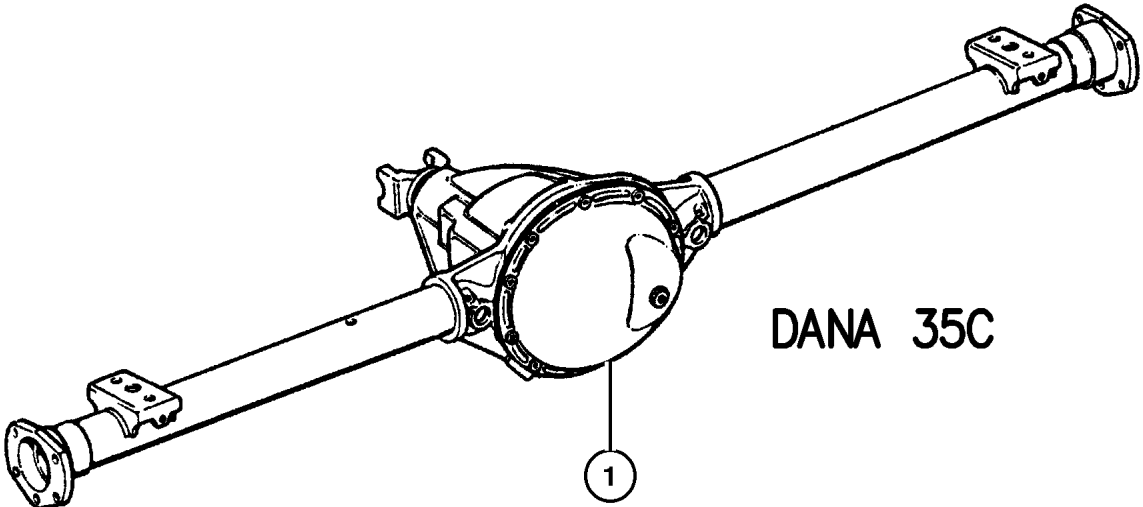


**Axle Assembly,Rear
Figure 003-110**

ITEM	PART NUMBER	QTY	LINE	SERIES	BODY	DESCRIPTION
------	-------------	-----	------	--------	------	-------------

Note:Sales Codes;
 [DMD]=Axle Ratio - 3.55
 [DME]=Axle Ratio - 3.73
 [DRK]=Axle - Rear,Dana 44/226MM
 [DRM]=Axle - Rear,Dana 35C/194MM
 [DSA]=Axle - Trac-Lok Differential
 [DSC]=Axles - Vari-Lok Progressive

1						AXLE, Service Rear
	5072 213AA	1				[DMD] Tag# 52099433AE
	5072 222AA	1				[DME] Tag# 52099430AE
2						AXLE, Service Rear
	5012 843AC	1				[DME] Tag# 52099429AE
	5012 868AC	1				[DME,DSC] Tag# 52099426AE



JEEP GRAND CHEROKEE (WJ)				
SERIES	LINE	BODY	ENGINE	TRANSMISSION
H = Laredo	J = 4WD	74 = 4 Door	ERH = 4.0L, Power Tech I-6	DGK = 4 Speed Autm, 42RE
M = Sport	T = 2WD		EVA = 4.7L, Power Tech V8	DGQ = 5 Speed Automatic, 45RFE
P = Limited			EVC = 4.7L HO V8 MPI	DG0 = All Automatic Transm
S = Overland			ERO = All 4.0L 6 Cyl Gas	
			EVO = All 4.7l Gas	

AR = Use as required - = Non illustrated part # = New this model year

May 1, 2002

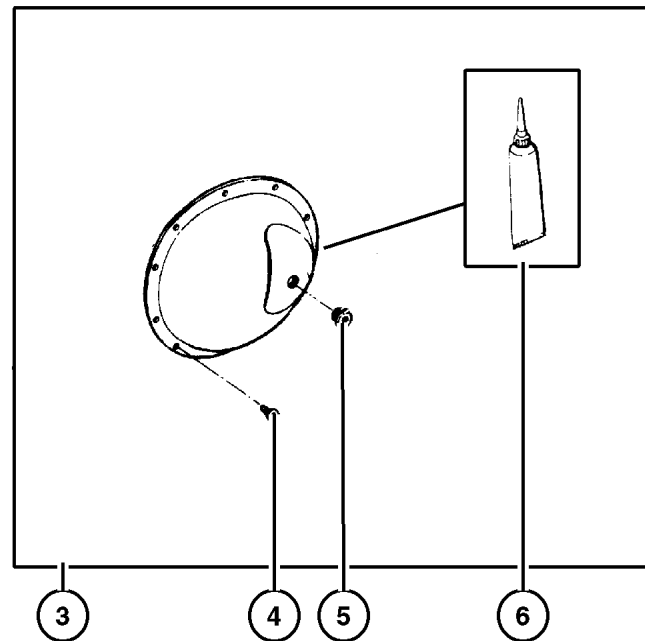
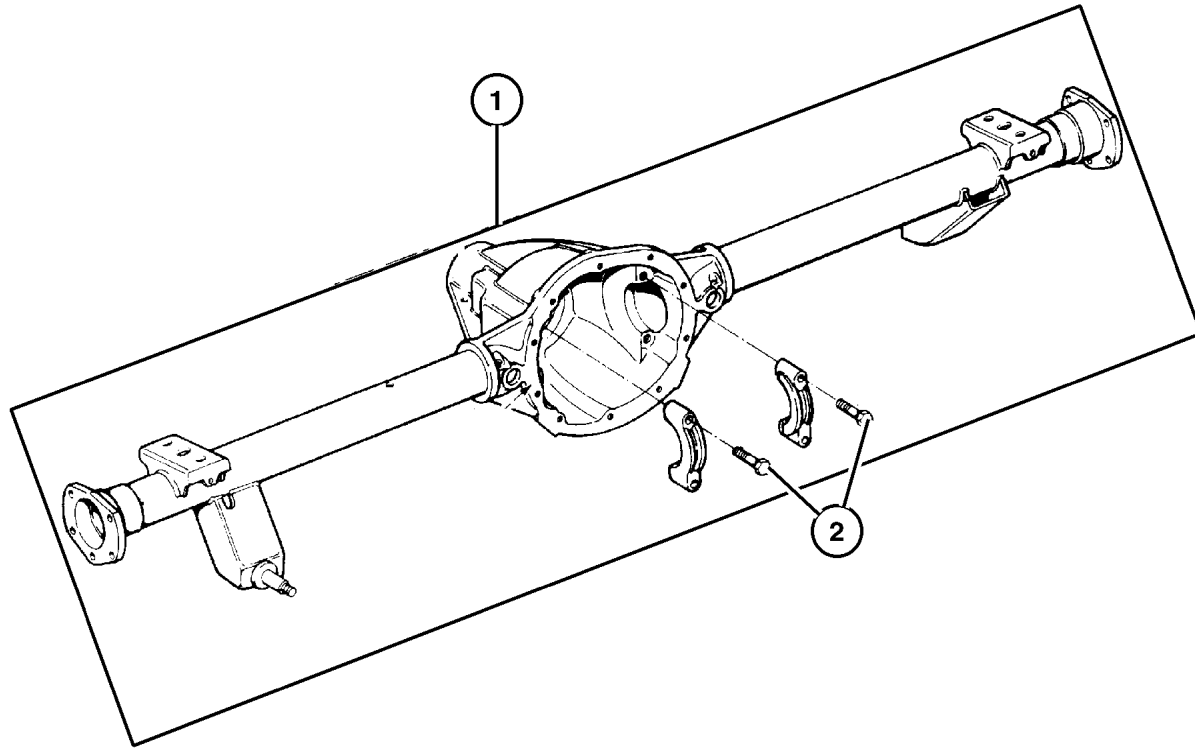
Housing,Rear Axle,Dana 35C/194MM [DRM]
Figure 003-210

ITEM	PART NUMBER	QTY	LINE	SERIES	BODY	DESCRIPTION
------	-------------	-----	------	--------	------	-------------

Note:Sales Codes;

[DRM]=Axle - Rear,Dana 35C/194MM

1	5012 805AA	1				HOUSING, Axle
2	4897 482AB	4				BOLT, Differential
3	5012 811AA	1				COVER, Differential
4	J400 6708	10				SCREW, Pan Head, .312-18x.56
5	5252 504AB	1				PLUG, Differential Cover
6	5010 884AA	1				SEALANT, RTV



JEEP GRAND CHEROKEE (WJ)

SERIES	LINE	BODY	ENGINE	TRANSMISSION
H = Laredo	J = 4WD	74 = 4 Door	ERH = 4.0L, Power Tech I-6	DGK = 4 Speed Autm, 42RE
M = Sport	T = 2WD		EVA = 4.7L, Power Tech V8	DGQ = 5 Speed Automatic, 45RFE
P = Limited			EVC = 4.7L HO V8 MPI	DG0 = All Automatic Transm
S = Overland			ERO = All 4.0L 6 Cyl Gas	
			EVO = All 4.7l Gas	

AR = Use as required - = Non illustrated part # = New this model year

May 1, 2002

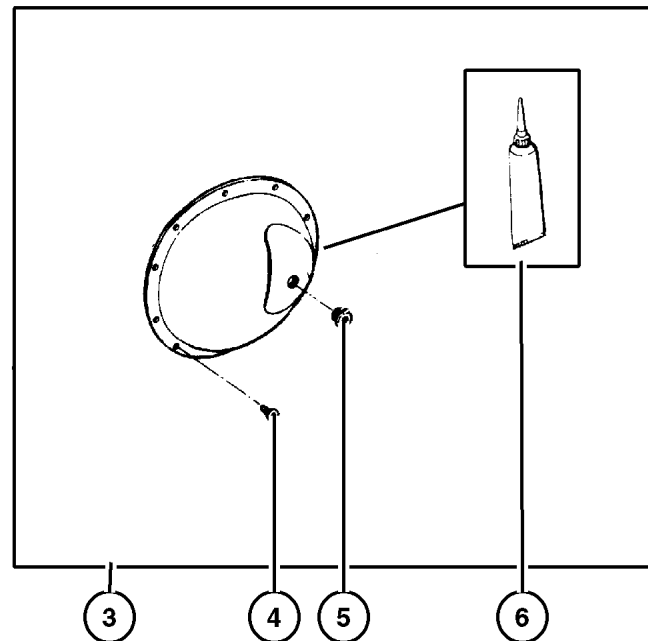
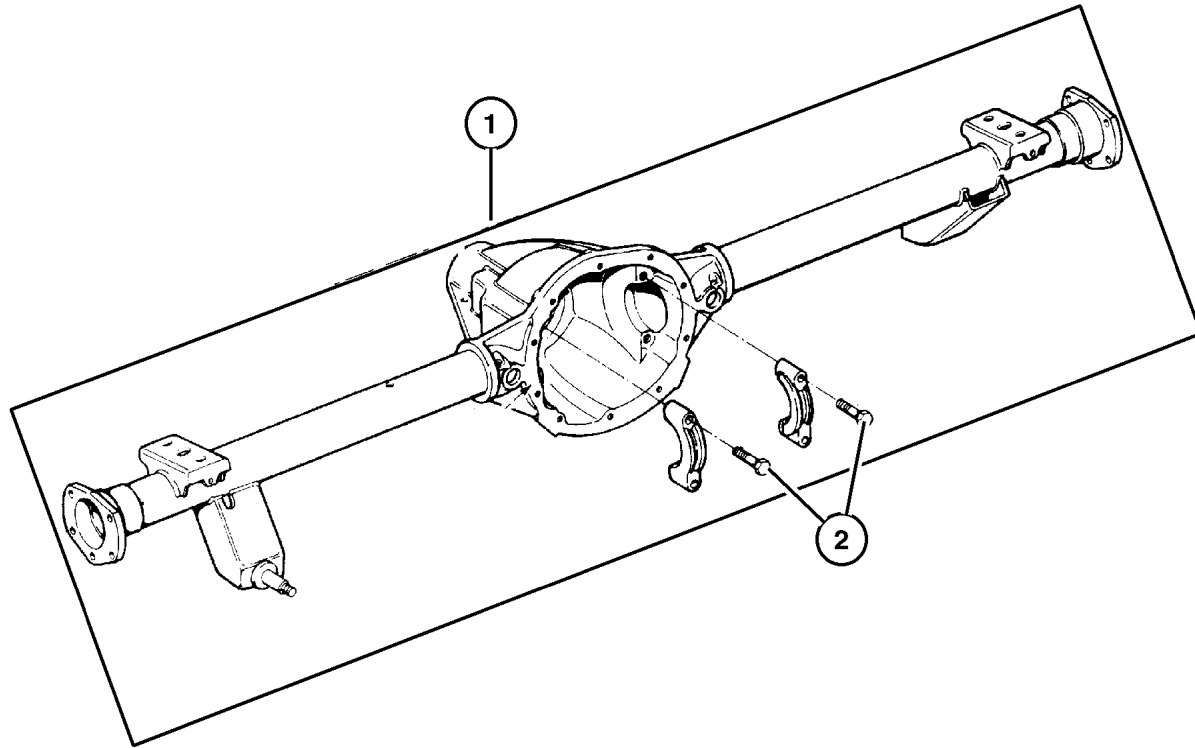
Housing,Rear Axle,Dana 44/226MM [DRK]
Figure 003-220

ITEM	PART NUMBER	QTY	LINE	SERIES	BODY	DESCRIPTION
------	-------------	-----	------	--------	------	-------------

Note:Sales Codes;

[DRK]=Axle - Rear,Dana 44/226MM

1	5012 837AB	1				HOUSING, Axle
2	5012 879AA	4				BOLT, Differential
3	5012 842AA	1				COVER, Differential
4	J400 6708	10				SCREW, Pan Head, .312-18x.56
5	5252 504AB	1				PLUG, Differential Cover
6	5010 884AA	1				SEALANT, RTV

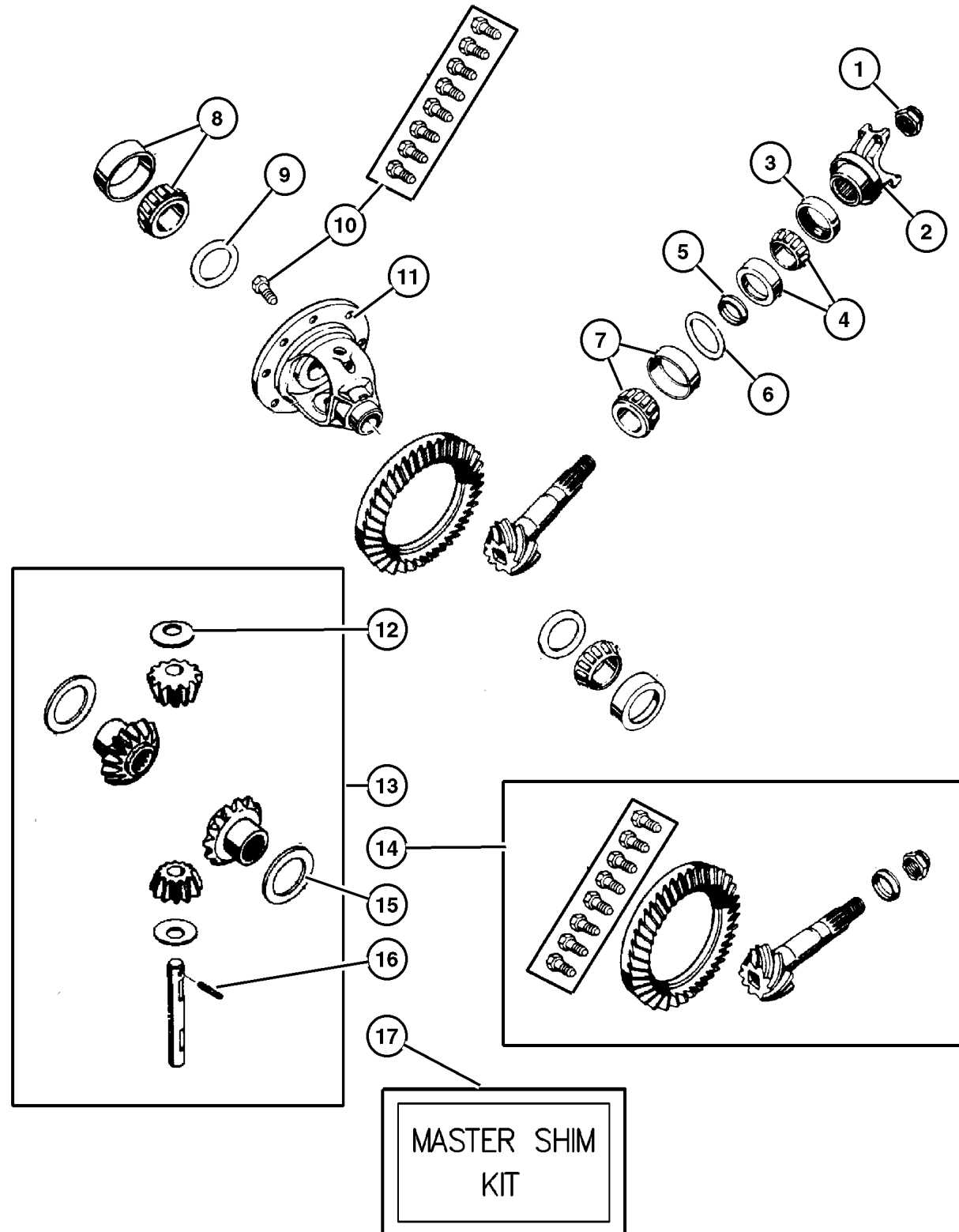


JEEP GRAND CHEROKEE (WJ)				
SERIES	LINE	BODY	ENGINE	TRANSMISSION
H = Laredo	J = 4WD	74 = 4 Door	ERH = 4.0L, Power Tech I-6	DGK = 4 Speed Autm, 42RE
M = Sport	T = 2WD		EVA = 4.7L, Power Tech V8	DGQ = 5 Speed Automatic, 45RFE
P = Limited			EVC = 4.7L HO V8 MPI	DG0 = All Automatic Transm
S = Overland			ERO = All 4.0L 6 Cyl Gas	
			EVO = All 4.7l Gas	

AR = Use as required - = Non illustrated part # = New this model year

May 1, 2002

**Differential, Dana 35C/194MM [DRM]
Figure 003-230**



ITEM	PART NUMBER	QTY	LINE	SERIES	BODY	DESCRIPTION
Note: Sales Codes;						
[DMD]=Axle Ratio - 3.55						
[DME]=Axle Ratio - 3.73						
[DRM]=Axle - Rear, Dana 35C/194MM						
1	4720 895	1				NUT, Pinion Yoke
2	5072 212AA	1				YOKE, Axle
3	5012 813AA	1				SEAL, Drive Pinion Inner
	4883 964AA	1				Outer
4	5252 508	1				BEARING, Drive Pinion, Bearing and Cup, Front
5	5012 809AA	1				SPACER, Drive Pinion Bearing, Crush
6						SHIM, Drive Pinion Bearing, Replacement Individual PINION Shims for Master Shim Kit 5017214AA
	5017 288AA	1				.021
	5017 269AA	1				.036
	5017 270AA	1				.037
	5017 271AA	1				.038
	5017 272AA	1				.039
	5017 273AA	1				.040
	5017 274AA	1				.041
	5017 275AA	1				.042
	5017 276AA	1				.043
	5017 277AA	1				.044
	5017 278AA	1				.045
	5017 279AA	1				.046
	5017 280AA	1				.047
	5017 281AA	1				.048
	5017 282AA	1				.049
	5017 283AA	1				.050
7	5252 507	1				BEARING, Drive Pinion, Bearing and Cup, Rear
8	J812 6500	1				BEARING, Differential, Consists of 2 Bearing and 2 Cups
9						SHIM, Differential Bearing, Replacement Individual DIFFERENTIAL Shims for Master Shim Kit 5017214AA
	5017 299AA	1				.151
	5017 300AA	1				.152
	5017 301AA	1				.153
	5017 302AA	1				.154
	5017 303AA	1				.155
	5017 304AA	1				.156
	5017 305AA	1				.157
	5017 306AA	1				.158
	5017 307AA	1				.159

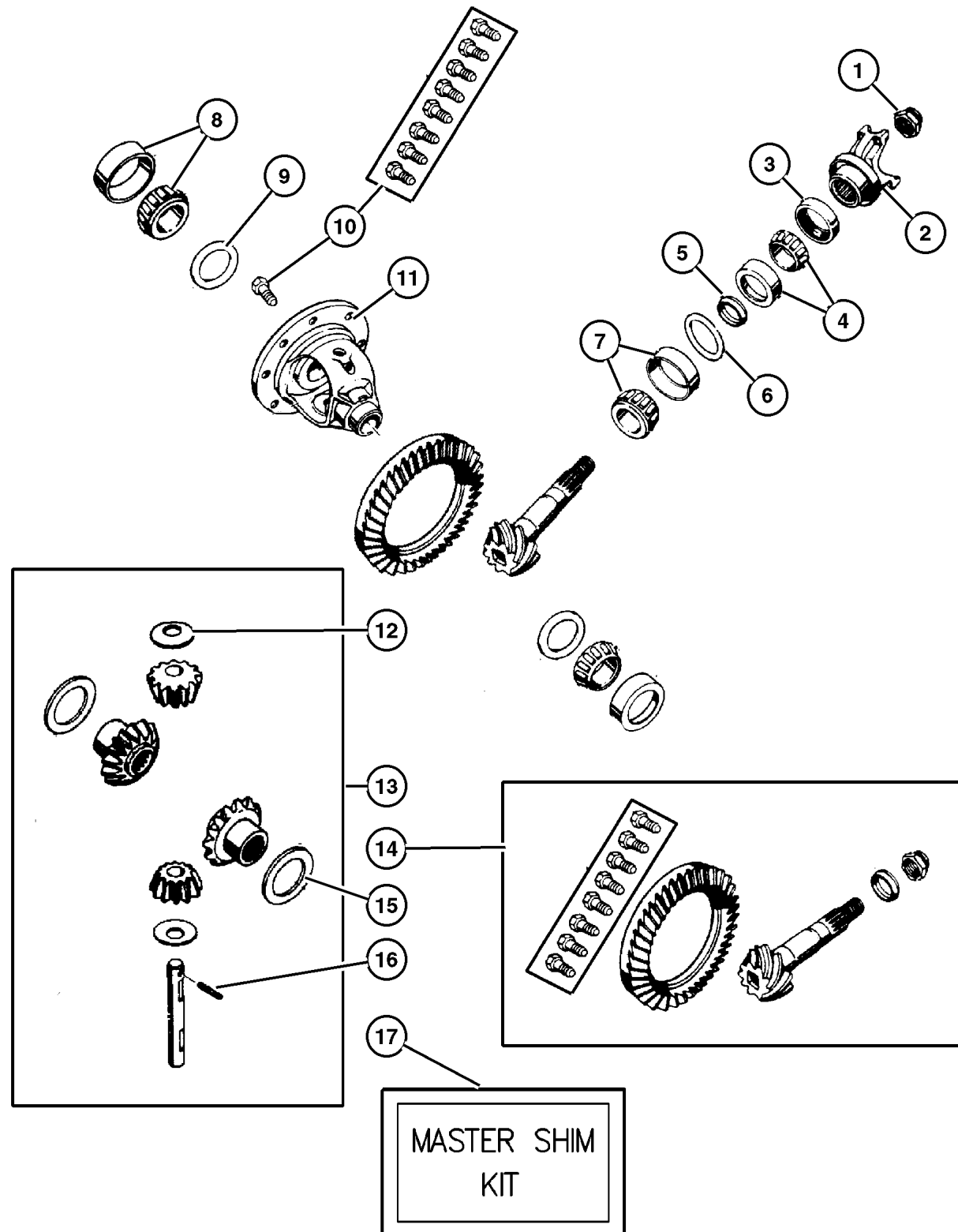
JEEP GRAND CHEROKEE (WJ)

SERIES	LINE	BODY	ENGINE	TRANSMISSION
H = Laredo	J = 4WD	74 = 4 Door	ERH = 4.0L, Power Tech I-6	DGK = 4 Speed Autm, 42RE
M = Sport	T = 2WD		EVA = 4.7L, Power Tech V8	DGQ = 5 Speed Automatic, 45RFE
P = Limited			EVC = 4.7L HO V8 MPI	DG0 = All Automatic Transm
S = Overland			ERO = All 4.0L 6 Cyl Gas	
			EVO = All 4.7L Gas	

AR = Use as required - = Non illustrated part # = New this model year

May 1, 2002

Differential, Dana 35C/194MM [DRM]
Figure 003-230



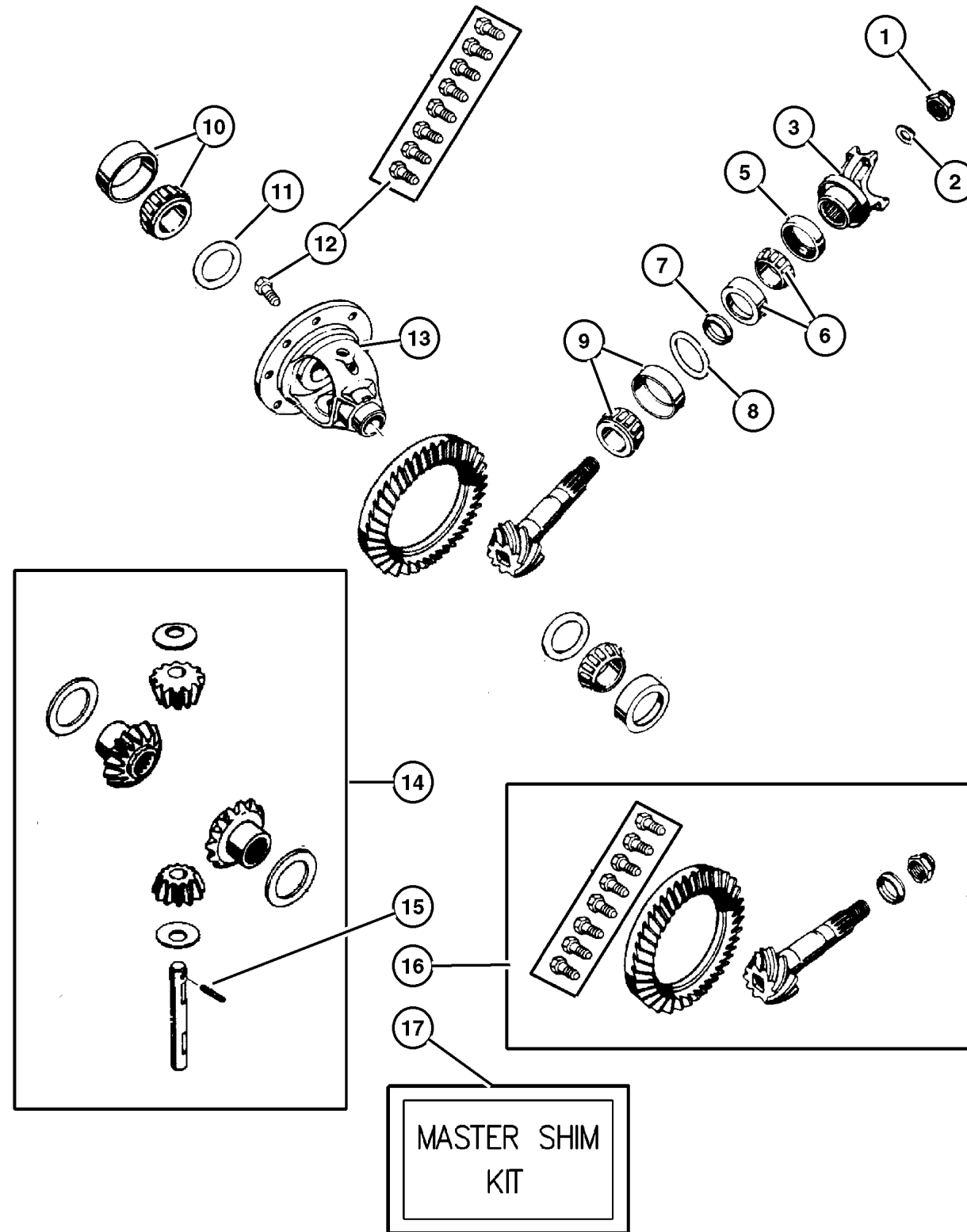
ITEM	PART NUMBER	QTY	LINE	SERIES	BODY	DESCRIPTION
	5017 308AA	1				.160
	5017 309AA	1				.161
	5017 310AA	1				.162
	5017 311AA	1				.163
	5017 312AA	1				.164
	5017 313AA	1				.165
	5017 314AA	1				.166
	5017 315AA	1				.167
	5017 316AA	1				.168
	5017 317AA	1				.169
	5017 318AA	1				.170
	5017 319AA	1				.171
	5017 320AA	1				.172
	5017 321AA	1				.173
	5017 322AA	1				.174
	5017 323AA	1				.175
	5017 324AA	1				.176
	5017 325AA	1				.177
	5017 326AA	1				.178
	5017 327AA	1				.179
	5017 328AA	1				.180
	5017 329AA	1				.181
	5017 330AA	1				.182
	5017 331AA	1				.183
10	5012 810AC	1				BOLT KIT
11	5012 808AB	1				CASE, Differential, with Internal Parts
12	J812 0831	2				WASHER, Flat, Pinion Thrust
13	4740 670	1				GEAR KIT, Center Differential
14						GEAR KIT, Ring And Pinion
	5012 828AC	1				[DMD]
	5012 807AC	1				[DME]
15	J812 0832	1				WASHER, Differential Side Gear, Thrust
16	5252 502	1				PIN, Differential Shaft
17	5017 214AA	1				SHIM KIT, Differential, Master Shim Kit For the Complete Differential containing 16 PINION Shims and 33 DIFFERENTIAL Shims., Contains All Shims for Differential

JEEP GRAND CHEROKEE (WJ)				
SERIES	LINE	BODY	ENGINE	TRANSMISSION
H = Laredo	J = 4WD	74 = 4 Door	ERH = 4.0L, Power Tech I-6	DGK = 4 Speed Autm, 42RE
M = Sport	T = 2WD		EVA = 4.7L, Power Tech V8	DGQ = 5 Speed Automatic, 45RFE
P = Limited			EVC = 4.7L HO V8 MPI	DG0 = All Automatic Transm
S = Overland			ERO = All 4.0L 6 Cyl Gas	
			EVO = All 4.7l Gas	

AR = Use as required - = Non illustrated part # = New this model year

May 1, 2002

**Differential, Without Vari-Lok Progressive [DSC], Dana 44/226MM [DRK]
Figure 003-240**



ITEM	PART NUMBER	QTY	LINE	SERIES	BODY	DESCRIPTION
Note: Sales Codes;						
[DME]=Axle Ratio - 3.73						
[DRK]=Axle - Rear, Dana 44/226MM						
[DSC]=Axles - Vari-Lok Progressive						
1	1795 173	1				NUT, Pinion Yoke
2	1795 175	1				WASHER, Pinion Yoke
3	5012 840AA	1				YOKE, Axle
-4	5012 847AA	1				O RING, Pinion Flange, Fits Over Hub of Axle Yoke
5	5072 265AA	1				SEAL, Drive Pinion
6	4746 979	1				BEARING, Drive Pinion, Bearing and Cup, Front
7	4864 214	1				SPACER, Crush
8						SHIM KIT, Pinion Shaft
	4856 368	1				.035 to .039
	4856 369	1				.040 to .044
	4856 370	1				.045 to .049
	4856 371	1				.050 to .054
9	4864 210	1				BEARING, Differential Shaft, Bearing and Cup, Rear
10	4864 213	1				BEARING, Differential Case, Consists of 2 Bearings and 2 Cups
11						SHIM KIT, Differential
	5013 879AA	1				.111 to .119
	5013 880AA	1				.121 to .125
	5013 881AA	1				.126 to .130
	5013 882AA	1				.131 to .135
	5013 883AA	1				.136 to .140
	5013 884AA	1				.141 to .145
	5013 885AA	1				.147 to .155
12	5012 810AC	1				BOLT KIT
13	5019 855AA	1				CASE, Differential, with Internal Parts
14	4856 366	1				GEAR KIT, Center Differential
15	5015 223AA	1				PIN, Differential Shaft
16	5019 854AB	1				GEAR KIT, Ring And Pinion, [DME]
17	5017 215AA	1				SHIM KIT, Differential, Contains All Shims for Differential

JEEP GRAND CHEROKEE (WJ)				
SERIES	LINE	BODY	ENGINE	TRANSMISSION
H = Laredo	J = 4WD	74 = 4 Door	ERH = 4.0L, Power Tech I-6	DGK = 4 Speed Autm, 42RE
M = Sport	T = 2WD		EVA = 4.7L, Power Tech V8	DGQ = 5 Speed Automatic, 45RFE
P = Limited			EVC = 4.7L HO V8 MPI	DG0 = All Automatic Transm
S = Overland			ERO = All 4.0L 6 Cyl Gas	
			EVO = All 4.7I Gas	

AR = Use as required - = Non illustrated part # = New this model year

Differential,With Vari-Lok Progressive [DSC],Dana 44/226MM [DRK]
Figure 003-250

ITEM	PART NUMBER	QTY	LINE	SERIES	BODY	DESCRIPTION
------	-------------	-----	------	--------	------	-------------

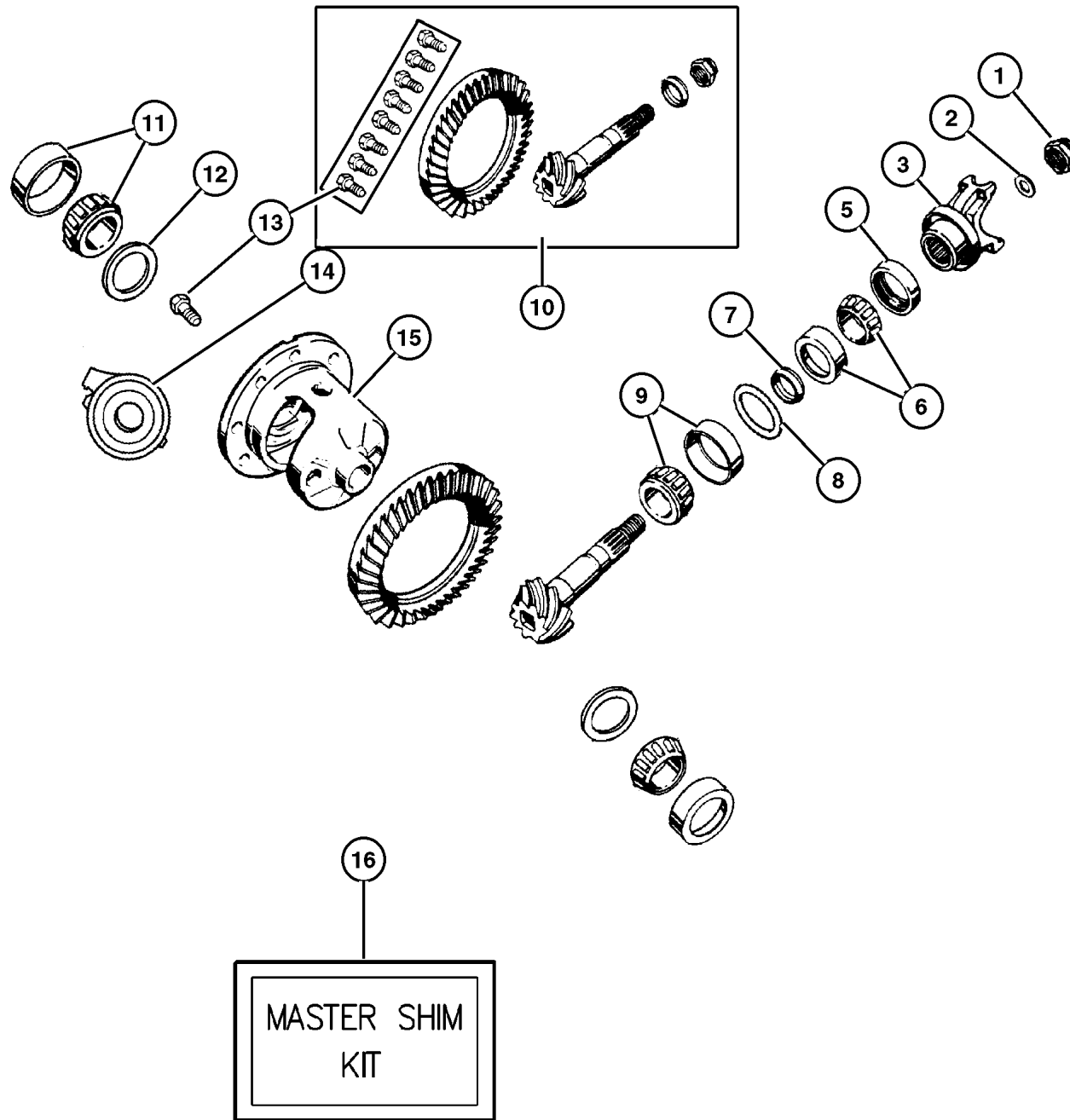
Note:Sales Codes;

[DME]=Axle Ratio - 3.73

[DRK]=Axle - Rear,Dana 44/226MM

[DSC]=Axles - Vari-Lok Progressive

1	1795 173	1				NUT, Pinion Yoke
2	1795 175	1				WASHER, Pinion Yoke
3	5012 840AA	1				YOKE, Axle
-4	5012 847AA	1				O RING, Pinion Flange, Fits Over Hub of Axle Yoke
5	5072 265AA	1				SEAL, Drive Pinion
6	4746 979	1				BEARING, Drive Pinion, Bearing and Cup, Front
7	4864 214	1				SPACER, Crush
8						SHIM KIT, Pinion Shaft, Replacement Individual PINION Shims for Master Shim Kit 5017215AA.
	4856 368	1				.035 to .039
	4856 369	1				.040 to .044
	4856 370	1				.045 to .049
	4856 371	1				.050 to .054
9	4864 210	1				BEARING, Differential Shaft, Bearing and Cup, Rear
10	5019 854AB	1				GEAR KIT, Ring And Pinion
11	4864 213	1				BEARING, Differential Case, Contains 2 Bearings and 2 Cups
12						SHIM KIT, Differential, Replacement Individual DIFFERENTIAL Shims for Master Shim Kit 5017215AA
	5013 879AA	1				.111 to .119
	5013 880AA	1				.121 to .125
	5013 881AA	1				.126 to .130
	5013 882AA	1				.131 to .135
	5013 883AA	1				.136 to .140
	5013 884AA	1				.141 to .145
	5013 885AA	1				.147 to .155
13	5012 810AC	1				BOLT KIT
14	5012 870AA	1				PLENUM, Differential
15	5019 867AA	1				CASE, Differential, with Internal Parts
16	5017 215AA	1				SHIM KIT, Differential, Contains All Shims for Differential



JEEP GRAND CHEROKEE (WJ)

SERIES	LINE	BODY	ENGINE	TRANSMISSION
H = Laredo	J = 4WD	74 = 4 Door	ERH = 4.0L, Power Tech I-6	DGK = 4 Speed Autm, 42RE
M = Sport	T = 2WD		EVA = 4.7L, Power Tech V8	DGQ = 5 Speed Automatic, 45RFE
P = Limited			EVC = 4.7L HO V8 MPI	DG0 = All Automatic Transm
S = Overland			ERO = All 4.0L 6 Cyl Gas	
			EVO = All 4.7I Gas	

AR = Use as required - = Non illustrated part # = New this model year

May 1, 2002

Rear Axle Vent
Figure 003-310

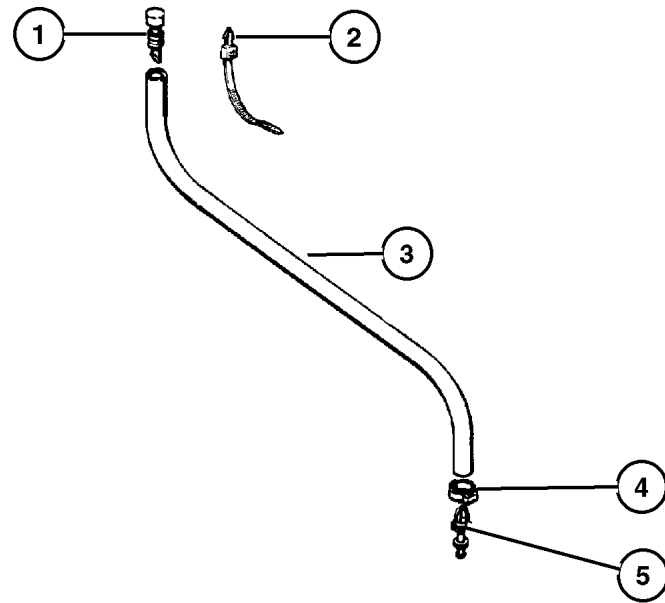
ITEM	PART NUMBER	QTY	LINE	SERIES	BODY	DESCRIPTION
------	-------------	-----	------	--------	------	-------------

Note:Sales Codes;

[ER0]=Engines - All 4.0L 6 Cylinder Gas

[EVA]=Engine - 4.7L Power Tech V8

1	J535 2955	1				VENT, Axle
2	6016 076	1				TIE STRAP
3	#52098 655AC	1				HOSE, Axle Vent
4	6503 573	1				CLIP, Lower Clamp to Screw
5	4137 696	1				SCREW, Brake Tee, .437-20x2.07, Double Ended Stud



JEEP GRAND CHEROKEE (WJ)

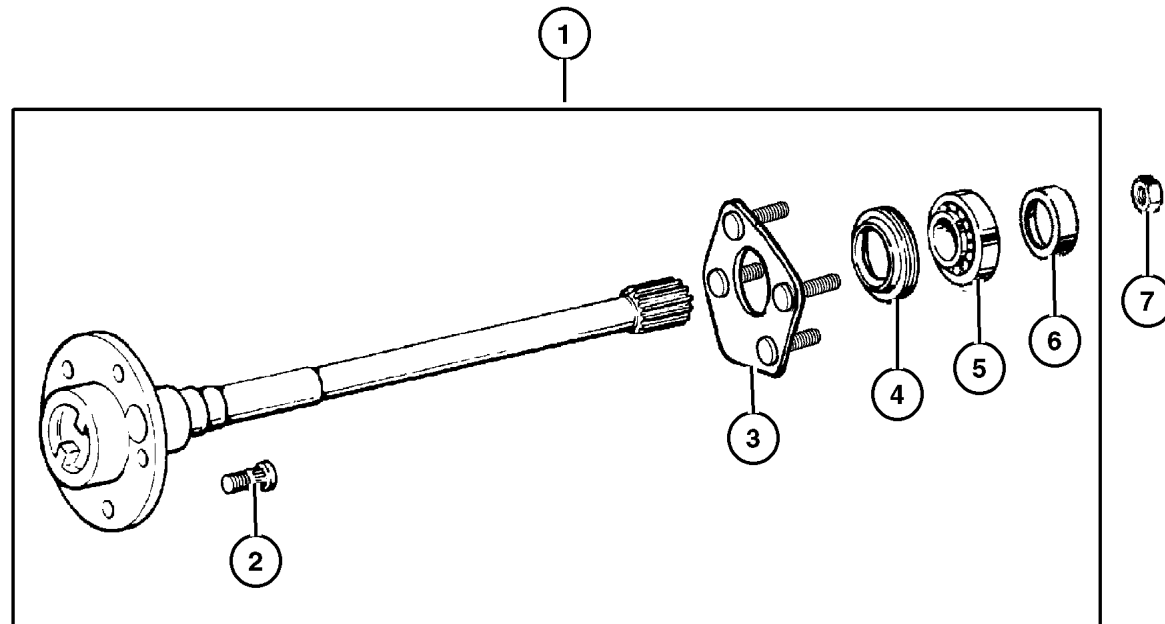
SERIES	LINE	BODY	ENGINE	TRANSMISSION
H = Laredo	J = 4WD	74 = 4 Door	ERH = 4.0L, Power Tech I-6	DGK = 4 Speed Autm, 42RE
M = Sport	T = 2WD		EVA = 4.7L, Power Tech V8	DGQ = 5 Speed Automatic, 45RFE
P = Limited			EVC = 4.7L HO V8 MPI	DG0 = All Automatic Transm
S = Overland			ERO = All 4.0L 6 Cyl Gas	
			EVO = All 4.7l Gas	

AR = Use as required - = Non illustrated part # = New this model year

May 1, 2002

**Shaft,Rear Axle
Figure 003-410**

ITEM	PART NUMBER	QTY	LINE	SERIES	BODY	DESCRIPTION
Note:Sales Codes;						
[DRK]=Axle - Rear,Dana 44/226MM						
[DRM]=Axle - Rear,Dana 35C/194MM						
[DSC]=Axles - Vari-Lok Progressive						
1						SHAFT, Axle
	5012 820AA	1				[DRM], Right
	5012 821AA	1				[DRM], Left
	5012 850AA	1				[DRK], Right
	5012 851AA	1				[DRK], Left
	5012 872AA	1				[DRK,DSC], Right
	5012 873AA	1				[DRK,DSC], Left
2	5209 8680	5				STUD, Wheel, Mounting
3	5012 827AA	1				RETAINER, Axle Shaft Seal
4	5012 824AA	1				SEAL, Axle Drive Shaft
5	5012 825AA	1				BEARING, Axle Shaft
6	5012 826AA	1				RING, Axle Shaft
7	J941 1783	8				NUT, Hex Flange Lock, Axle Shaft Seal Retainer, Mounting



JEEP GRAND CHEROKEE (WJ)				
SERIES	LINE	BODY	ENGINE	TRANSMISSION
H = Laredo	J = 4WD	74 = 4 Door	ERH = 4.0L, Power Tech I-6	DGK = 4 Speed Autm, 42RE
M = Sport	T = 2WD		EVA = 4.7L, Power Tech V8	DGQ = 5 Speed Automatic, 45RFE
P = Limited			EVC = 4.7L HO V8 MPI	DG0 = All Automatic Transm
S = Overland			ERO = All 4.0L 6 Cyl Gas	
			EVO = All 4.7I Gas	

AR = Use as required - = Non illustrated part # = New this model year

May 1, 2002

Group – 004

Parking Brake

GROUP 4 - Parking Brake

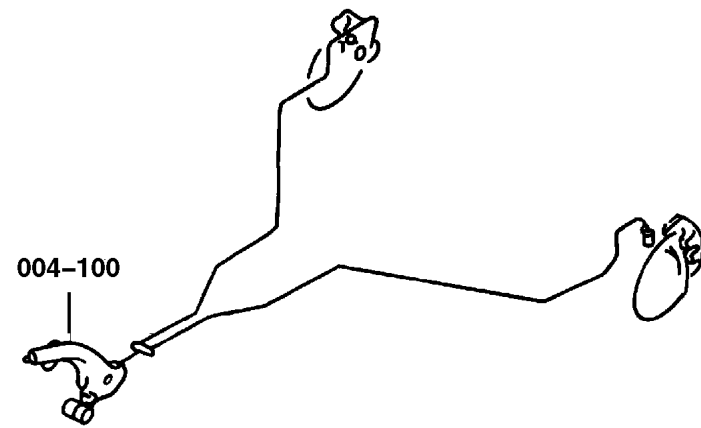
Illustration Title


Group-Fig. No.

Parking Brake Lever and Cables

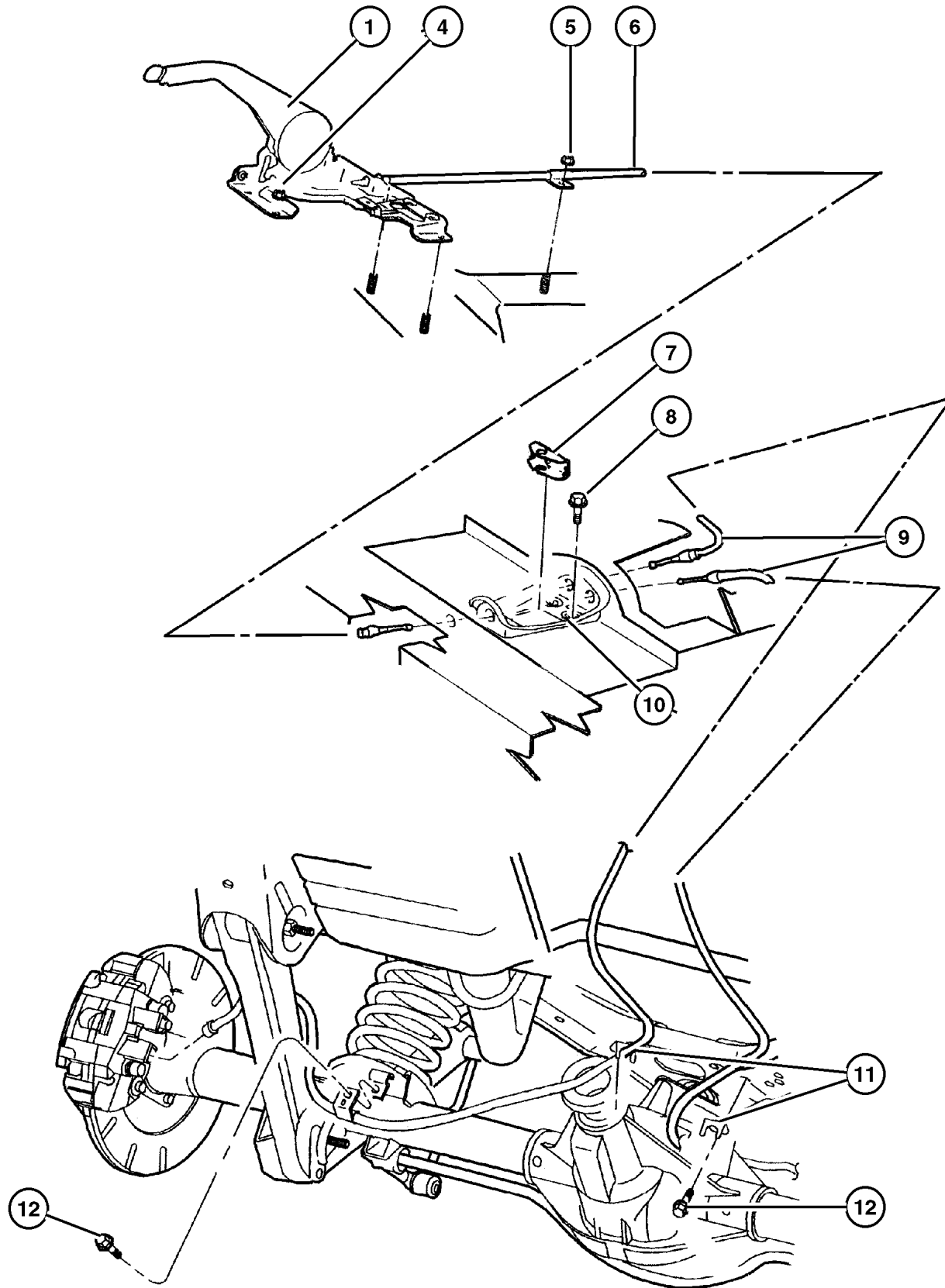
Lever And Cable - Parking Brake Fig. 004-110

Rear Disc Parking Brake Assy Fig. 004-120



004-100 Parking Brake Lever and Cables			
			

Lever And Cable - Parking Brake
Figure 004-110



ITEM	PART NUMBER	QTY	LINE	BODY	DESCRIPTION
1	52128 246AF	1			LEVER, Park Brake
-2	5212 7960	1			SWITCH, Parking Brake
-3	5016 265AA	1			COVER, Parking Brake
4	6505 245AA	4			NUT, M8x1.25
5					NUT AND WASHER, M6x1.00, (NOT SERVICED)
6	52128 243AA	1			CABLE, Parking Brake, Intermediate
7	5212 8126	1			EQUALIZER, Parking Brake Cable
8	6502 734	3			SCREW, M6x1x20
9					CABLE, Parking Brake
	52128 118AD	1			Right
	52128 119AD	1			Left
10	52128 236AB	1			BRACKET, Cable
11	52128 224AB	2			BRACKET, Cable
12					SCREW, Hex Flange Head, M8x1.25x25.00, (NOT SERVICED)
-13	55196 859AA	1			BRACKET, Console

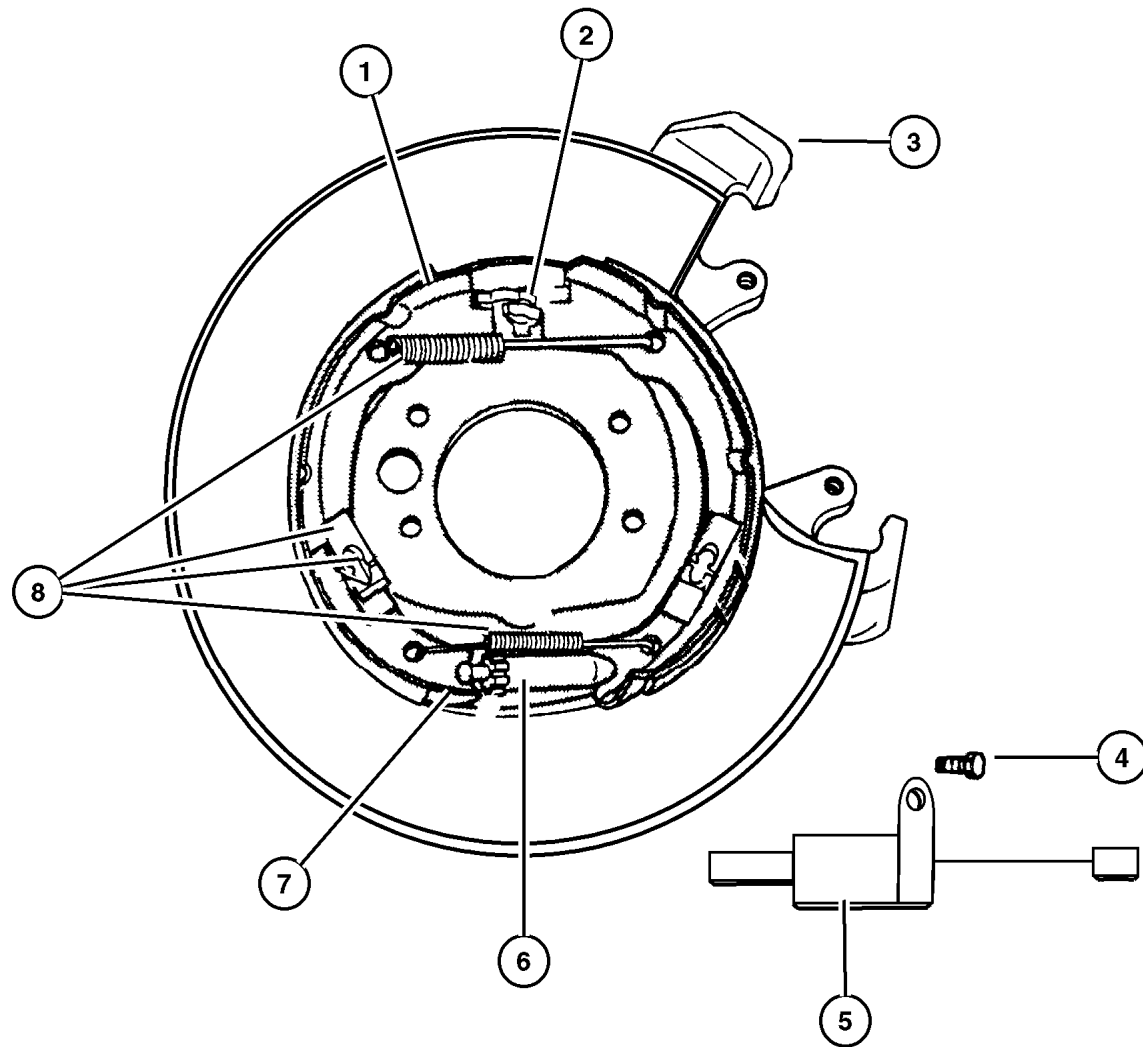
JEEP GRAND CHEROKEE (WJ)				
SERIES	LINE	BODY	ENGINE	TRANSMISSION
H = Laredo	J = 4WD	74 = 4 Door	ERH = 4.0L, Power Tech I-6	DGK = 4 Speed Autm, 42RE
M = Sport	T = 2WD		EVA = 4.7L, Power Tech V8	DGQ = 5 Speed Automatic, 45RFE
P = Limited			EVC = 4.7L HO V8 MPI	DG0 = All Automatic Transm
S = Overland			ERO = All 4.0L 6 Cyl Gas	
			EVO = All 4.7l Gas	

AR = Use as required - = Non illustrated part # = New this model year

May 1, 2002

Rear Disc Parking Brake Assy
Figure 004-120

ITEM	PART NUMBER	QTY	LINE	BODY	DESCRIPTION
Note: 5014038AA Spring Kit , contains 2 Brake Shoe Hold Down Pins, 2 Parking Brake Hold Down Clips,1 Park Brake Shoe Return Spring Upper and 1 Park Brake Shoe Return Spring Lower.					
1	5011 988AA	1			SHOE AND LINING KIT, Parking Brake
2	5011 994AA	1			LEVER, Park Brake
3	5011 982AA	1			PLATE, Brake Backing, Right or Left
4	5012 814AA	1			BOLT, ABS Sensor
5					SENSOR, Wheel Speed
	56041 308AA	1			Right
	56041 509AA	1			Left
6	5011 993AA	1			ADJUSTER, Parking Brake
7	5012 354AA	1			PLUG, Brake Adjusting Hole
8	5014 038AA	1			SPRING KIT, Brake Shoe Hold Down, See Note at Top of Page



JEEP GRAND CHEROKEE (WJ)				
SERIES	LINE	BODY	ENGINE	TRANSMISSION
H = Laredo	J = 4WD	74 = 4 Door	ERH = 4.0L, Power Tech I-6	DGK = 4 Speed Autm, 42RE
M = Sport	T = 2WD		EVA = 4.7L, Power Tech V8	DGQ = 5 Speed Automatic, 45RFE
P = Limited			EVC = 4.7L HO V8 MPI	DG0 = All Automatic Transm
S = Overland			ERO = All 4.0L 6 Cyl Gas	
			EVO = All 4.7I Gas	

AR = Use as required - = Non illustrated part # = New this model year

May 1, 2002

Group – 005

Service Brakes

GROUP 5 - Service Brakes

Illustration Title

Group-Fig. No.

Front Brakes

Front Disc Brake Caliper 'Continental Teves' and Rotor Fig. 005-110

Front Disc Brake Caliper 'Akebono' and Rotor Fig. 005-120

Rear Brakes

Rear Disc Brake Caliper and Rotor Fig. 005-210

Power Brake Booster

Power Brake Booster Fig. 005-310

Brake Master Cylinder

Master Cylinder, Brake Fig. 005-410

Hydraulic Control Unit Fig. 005-420

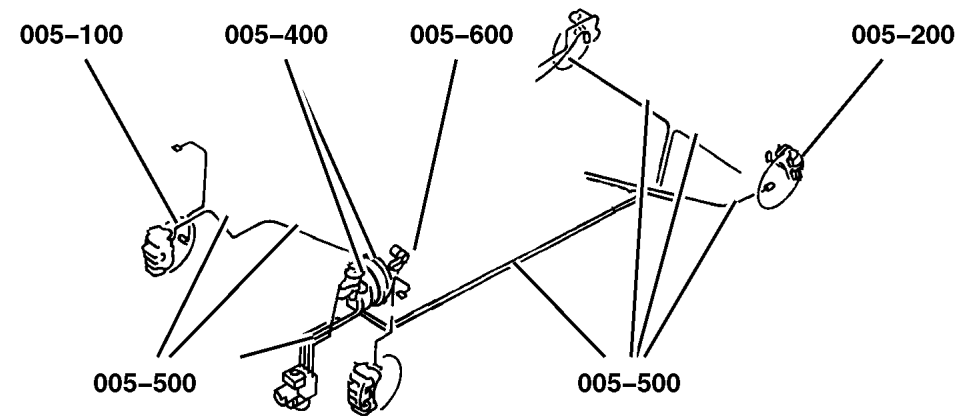
Brake Lines and Hoses

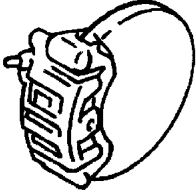
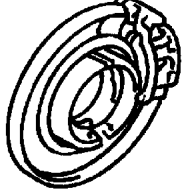
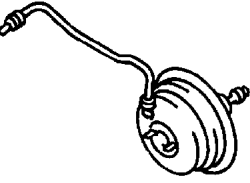
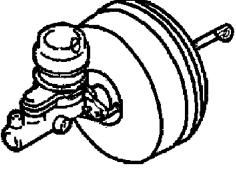
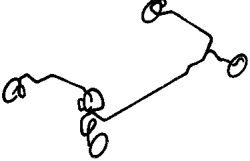

Brake Lines and Hoses, Front Fig. 005-510

Brake Lines and Hoses, Rear and Chassis Fig. 005-520

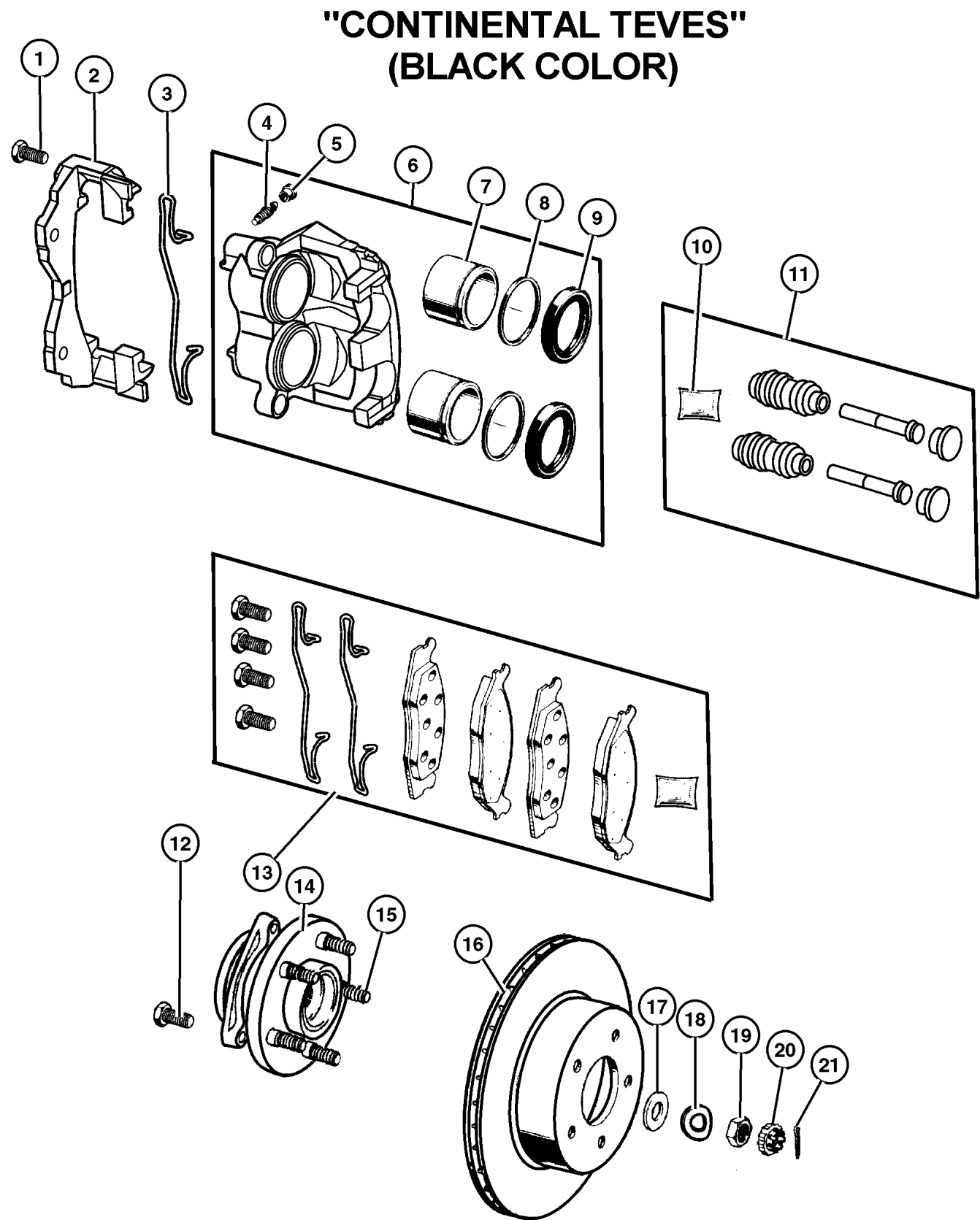
Brake Pedals

Brake Pedals, Standard and Adjustable Fig. 005-610



<p>005-100 Front Brakes</p> 	<p>005-200 Rear Brakes</p> 	<p>005-300 Power Brake Booster</p> 	<p>005-400 Brake Master Cylinder</p> 
<p>005-500 Brake Lines and Hoses</p> 	<p>005-600 Brake Pedals</p> 		

**Front Disc Brake Caliper 'Continental Teves' and Rotor
Figure 005-110**



**"CONTINENTAL TEVES"
(BLACK COLOR)**

ITEM	PART NUMBER	QTY	LINE	BODY	DESCRIPTION
1					BOLT
	5012 437AA	4	J		Caliper Bracket, Mounting
		4	T		Caliper Bracket, Mounting
2					BRACKET
	5011 979AA	1	J		Caliper, Mounting
		1	T		Caliper, Mounting
3					SPRING, Brake Shoe Hold Down
	5011 971AA	1	J		
		1	T		
4					BLEEDER SCREW, Brake
	4126 879	1	J		
		1	T		
5					CAP, Bleeder
	4126 733	1	J		
		1	T		
6					CALIPER, Disc Brake
	5011 972AA	1	J		Right
	5011 973AA	1	J		Left
	5011 972AA	1	T		Right
	5011 973AA	1	T		Left
7					PISTON, Brake
	5011 983AA	2	J		
		2	T		
8					SEAL, Caliper Piston
	5011 984AA	2	J		
		2	T		
9					BOOT, Brake Piston
	5011 985AA	2	J		
		2	T		
10					GREASE, Packet
11					PIN KIT, Disc Brake
	5011 981AA	1	J		
		1	T		
12					BOLT
	5012 436AA	6	J		Hub and Bearing, Mounting
		6	T		Hub and Bearing, Mounting
13					PAD KIT, Front Disc Brake
	5018 592AA	1	J		
		1	T		
14					HUB AND BEARING, Brake
	52098 679AD	2	J		

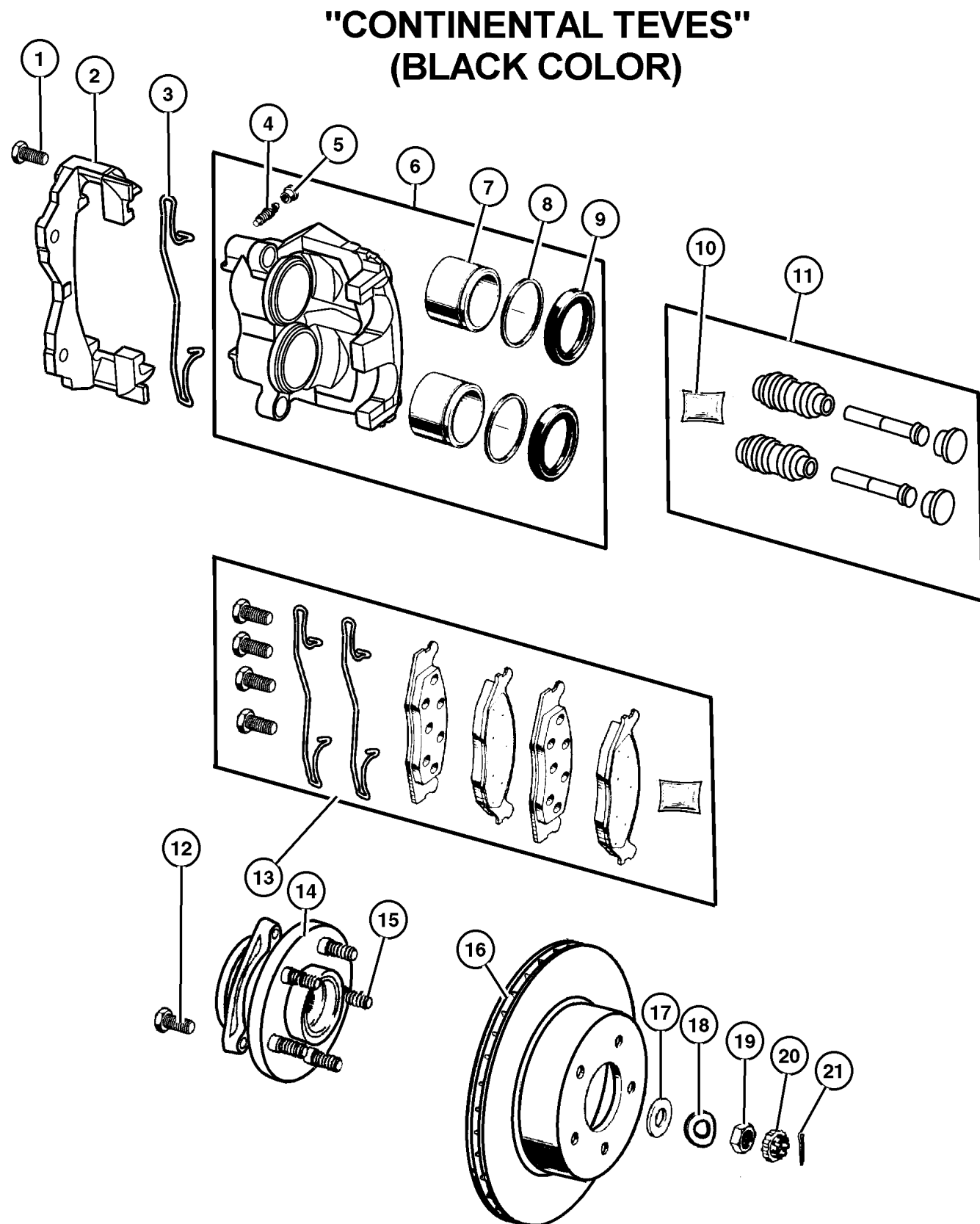
JEEP GRAND CHEROKEE (WJ)

SERIES	LINE	BODY	ENGINE	TRANSMISSION
H = Laredo	J = 4WD	74 = 4 Door	ERH = 4.0L, Power Tech I-6	DGK = 4 Speed Autm, 42RE
M = Sport	T = 2WD		EVA = 4.7L, Power Tech V8	DGQ = 5 Speed Automatic, 45RFE
P = Limited			EVC = 4.7L HO V8 MPI	DG0 = All Automatic Transm
S = Overland			ERO = All 4.0L 6 Cyl Gas	
			EVO = All 4.7l Gas	

AR = Use as required - = Non illustrated part # = New this model year

May 1, 2002

**Front Disc Brake Caliper 'Continental Teves' and Rotor
Figure 005-110**



ITEM	PART NUMBER	QTY	LINE	BODY	DESCRIPTION
		2	T		
15	6036 424AA	5	J		BOLT, Hub and Rotor Wheel, Mounting
		5	T		Wheel, Mounting
16					ROTOR, Brake
	5209 8672	2	J		
		2	T		
17	J420 0096	2	J		WASHER, Flat
		2	T		
18	4740 749	2	J		WASHER, Wave
		1	T		
19	J420 0095	2	J		NUT, Hex
		2	T		
20	J420 0097	2	J		RETAINER, Hub Nut
		2	T		
21	1101 0069	2	J		PIN, Cotter, M4x40.00
		6	T		

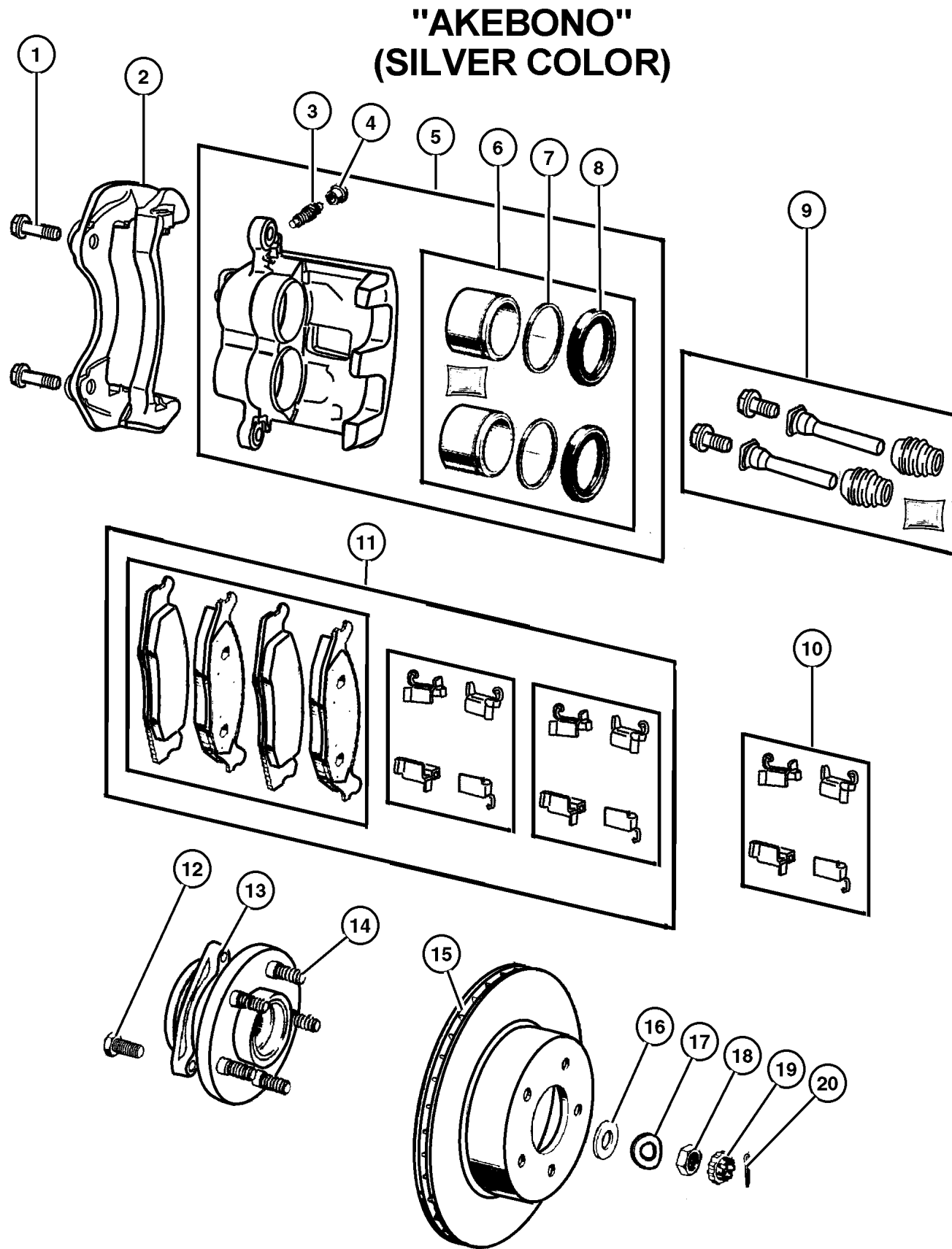
JEEP GRAND CHEROKEE (WJ)

SERIES	LINE	BODY	ENGINE	TRANSMISSION
H = Laredo	J = 4WD	74 = 4 Door	ERH = 4.0L, Power Tech I-6	DGK = 4 Speed Autm, 42RE
M = Sport	T = 2WD		EVA = 4.7L, Power Tech V8	DGQ = 5 Speed Automatic, 45RFE
P = Limited			EVC = 4.7L HO V8 MPI	DG0 = All Automatic Transm
S = Overland			ERO = All 4.0L 6 Cyl Gas	
			EVO = All 4.7I Gas	

AR = Use as required - = Non illustrated part # = New this model year

May 1, 2002

**Front Disc Brake Caliper 'Akebono' and Rotor
Figure 005-120**



ITEM	PART NUMBER	QTY	LINE	BODY	DESCRIPTION
1					BOLT
	5012 437AA	4	J		Caliper Bracket, Mounting
		4	T		Caliper Bracket, Mounting
2					BRACKET
	5093 182AA	1	J		Caliper, Mounting
		1	T		Caliper, Mounting
3					BLEEDER SCREW, Brake
	5093 189AA	1	J		
		1	T		
4					CAP, Bleeder
	5093 190AA	1	J		
		1	T		
5					CALIPER, Disc Brake
	5093 180AA	1	J		Right
	5093 181AA	1	J		Left
	5093 180AA	1	T		Right
	5093 181AA	1	T		Left
6					PISTON KIT, Front Brake
	5093 186AA	1	J		
		1	T		
7					SEAL, Caliper Piston
	5093 187AA	2	J		
		2	T		
8					BOOT, Brake Piston
	5093 188AA	2	J		
		2	T		
9					PIN KIT, Disc Brake
	5093 184AA	1	J		
		1	T		
10					SPRING KIT, Brake Shoe Hold Down
	5093 185AA	1	J		
		1	T		
11					PAD KIT, Front Disc Brake
	5093 183AA	1	J		
		1	T		
12					BOLT
	5012 436AA	6	J		Hub and Bearing, Mounting
		6	T		Hub and Bearing, Mounting
13					HUB AND BEARING, Brake
	52098 679AD	2	J		
		2	T		
14					BOLT, Hub and Rotor

JEEP GRAND CHEROKEE (WJ)
 SERIES LINE
 H = Laredo J = 4WD
 M = Sport T = 2WD
 P = Limited
 S = Overland

BODY
 74 = 4 Door

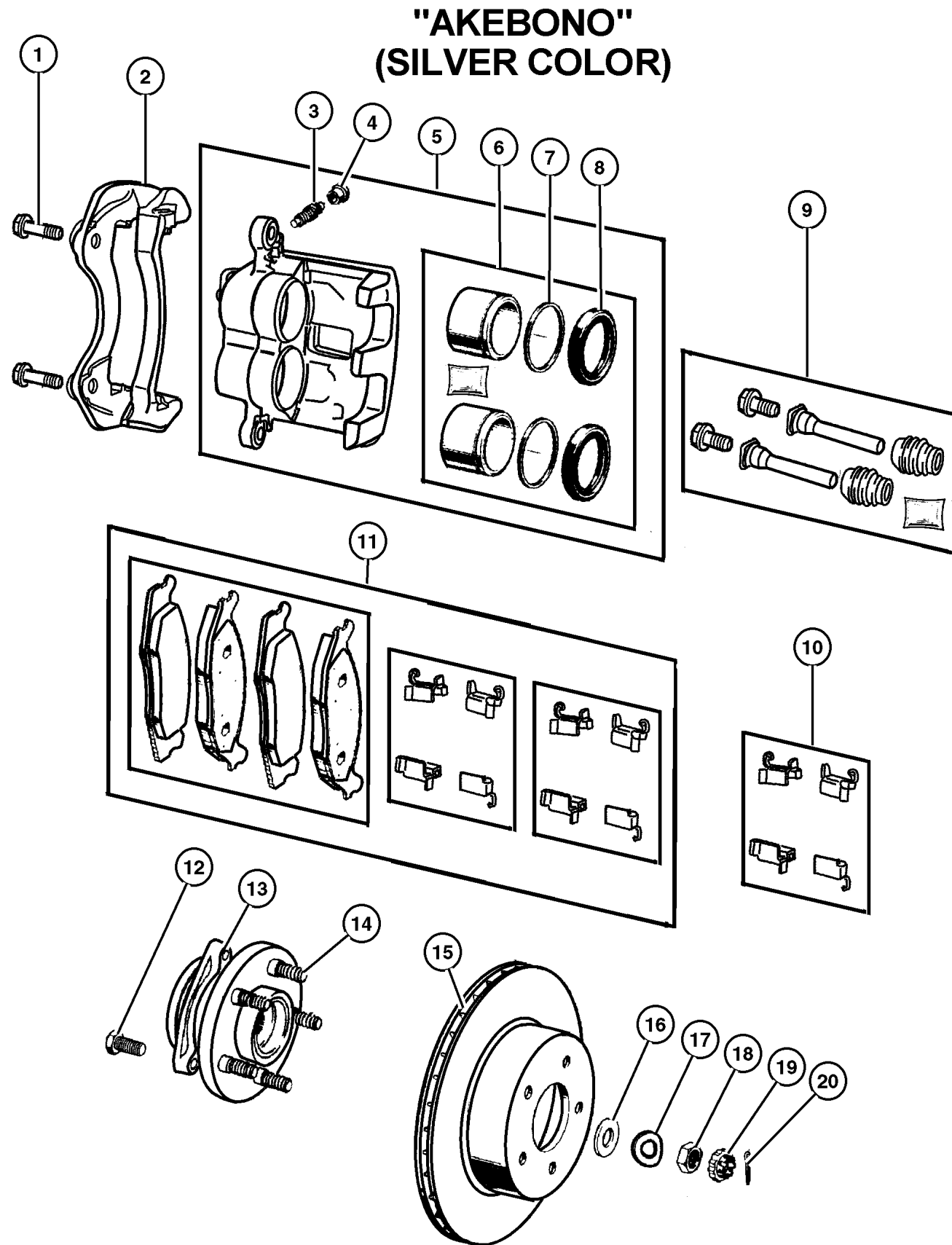
ENGINE
 ERH = 4.0L, Power Tech I-6
 EVA = 4.7L, Power Tech V8
 EVC = 4.7L HO V8 MPI
 ERO = All 4.0L 6 Cyl Gas
 EVO = All 4.7L Gas

TRANSMISSION
 DGK = 4 Speed Autm, 42RE
 DGQ = 5 Speed Automatic, 45RFE
 DG0 = All Automatic Transm

AR = Use as required - = Non illustrated part # = New this model year

May 1, 2002

Front Disc Brake Caliper 'Akebono' and Rotor
Figure 005-120



ITEM	PART NUMBER	QTY	LINE	BODY	DESCRIPTION
	6036 424AA	5	J		Wheel, Mounting
		5	T		Wheel, Mounting
15					ROTOR, Brake
	5209 8672	2	J		
		2	T		
16					WASHER, Flat
	J420 0096	2	J		
		2	T		
17					WASHER, Wave
	4740 749	2	J		
		2	T		
18					NUT, Hex
	J420 0095	2	J		
		2	T		
19					RETAINER, Hub Nut
	J420 0097	2	J		
		2	T		
20					PIN, Cotter, M4x40.00
	1101 0069	2	J		
		2	T		

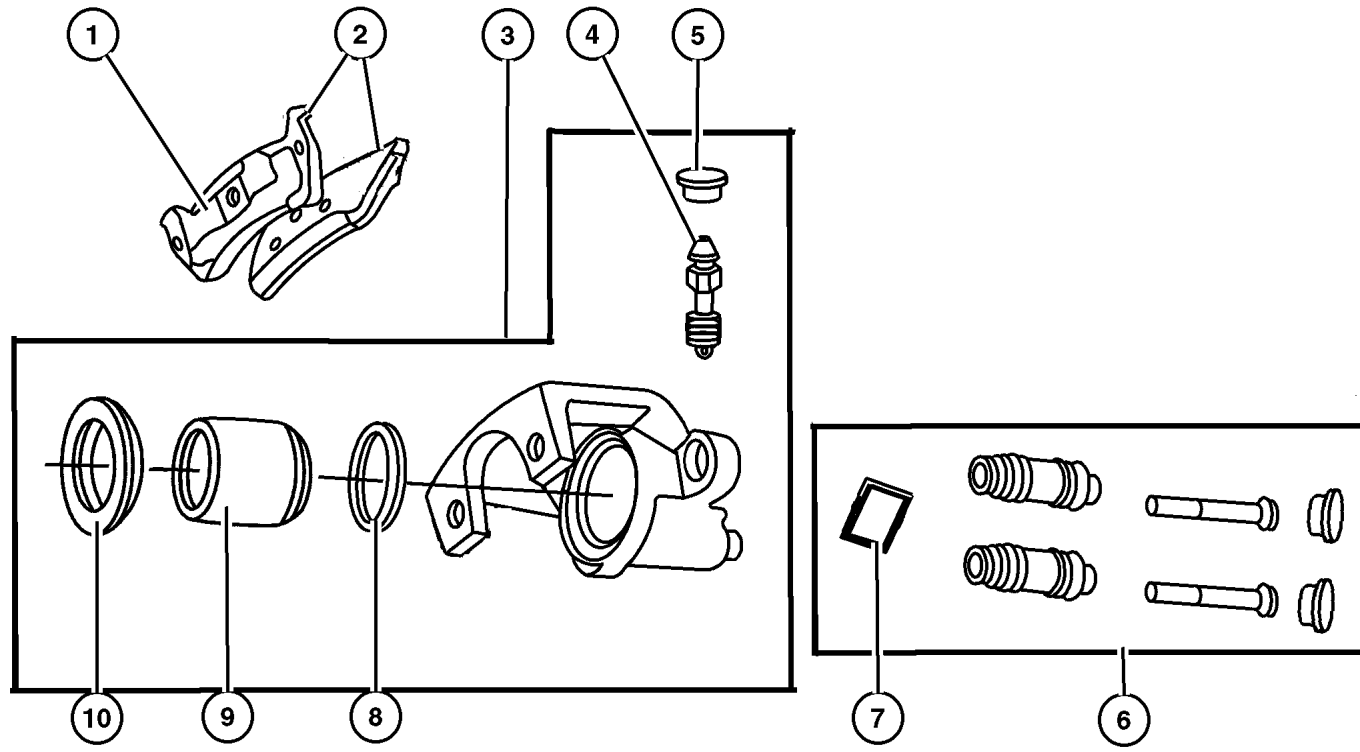
JEEP GRAND CHEROKEE (WJ)

SERIES	LINE	BODY	ENGINE	TRANSMISSION
H = Laredo	J = 4WD	74 = 4 Door	ERH = 4.0L, Power Tech I-6	DGK = 4 Speed Autm, 42RE
M = Sport	T = 2WD		EVA = 4.7L, Power Tech V8	DGQ = 5 Speed Automatic, 45RFE
P = Limited			EVC = 4.7L HO V8 MPI	DG0 = All Automatic Transm
S = Overland			ERO = All 4.0L 6 Cyl Gas	
			EVO = All 4.7I Gas	

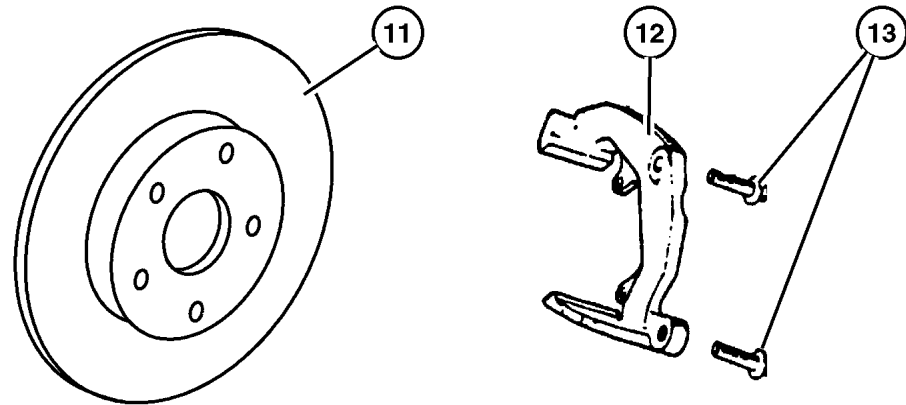
AR = Use as required - = Non illustrated part # = New this model year

May 1, 2002

Rear Disc Brake Caliper and Rotor Figure 005-210



ITEM	PART NUMBER	QTY	LINE	BODY	DESCRIPTION
1	5011 978AA	1			SPRING, Brake Shoe Hold Down
2	5011 970AA	1			PAD KIT, Rear Disc Brake
3	5011 974AA	1			CALIPER, Disc Brake Right
	5011 975AA	1			Left
4	4126 879	1			BLEEDER SCREW, Brake
5	4126 733	1			CAP, Bleeder
6	5011 981AA	1			PIN KIT, Disc Brake
7	5011 987AA	1			GREASE, Packet
8	5011 984AA	1			SEAL, Caliper Piston
9	5011 983AA	1			PISTON, Brake
10	5011 985AA	1			BOOT, Brake Piston
11	5209 8666	2			ROTOR, Brake
12	5011 980AA	1			BRACKET, Right or Left
13	5012 437AA	1			BOLT
-14	56041 308AA	1			SENSOR, Wheel Speed Right
	56041 509AA	1			Left
-15	56041 290AA	6			RETAINER, Brake Sensor Wire, ABS Sensor Cable to Brake Cable



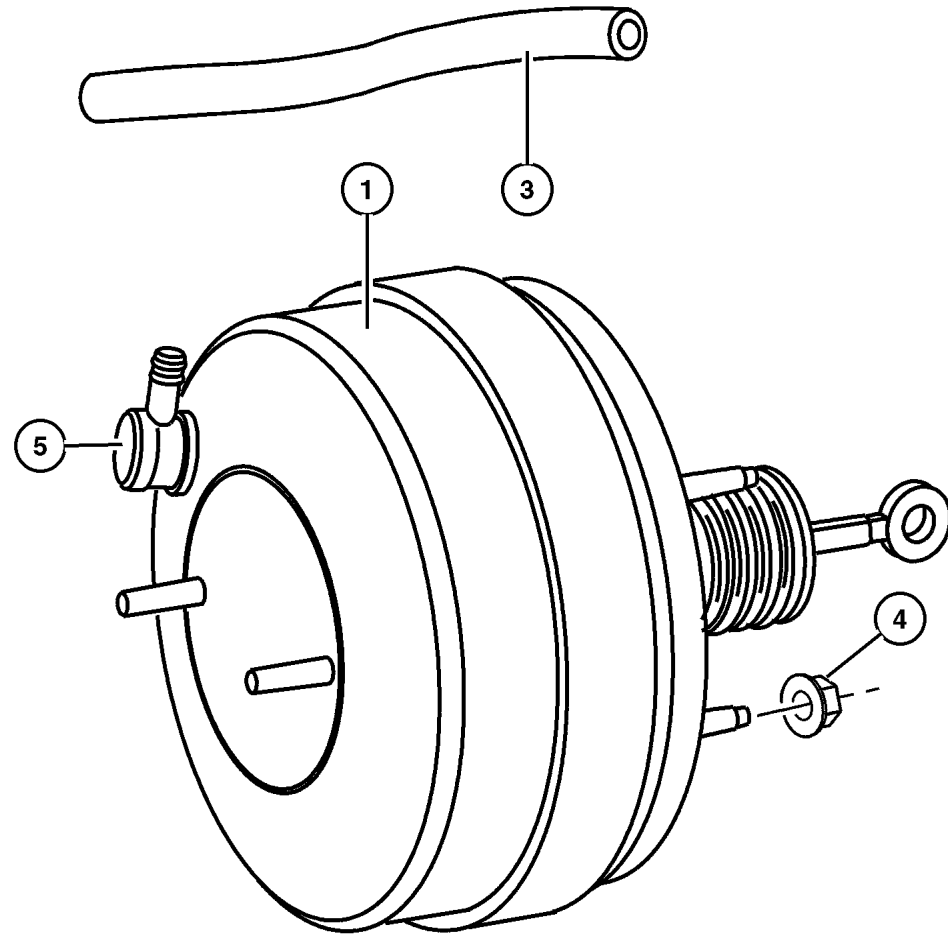
JEEP GRAND CHEROKEE (WJ)				
SERIES	LINE	BODY	ENGINE	TRANSMISSION
H = Laredo	J = 4WD	74 = 4 Door	ERH = 4.0L, Power Tech I-6	DGK = 4 Speed Autm, 42RE
M = Sport	T = 2WD		EVA = 4.7L, Power Tech V8	DGQ = 5 Speed Automatic, 45RFE
P = Limited			EVC = 4.7L HO V8 MPI	DG0 = All Automatic Transm
S = Overland			ERO = All 4.0L 6 Cyl Gas	
			EVO = All 4.7I Gas	

AR = Use as required - = Non illustrated part # = New this model year

May 1, 2002

**Power Brake Booster
Figure 005-310**

ITEM	PART NUMBER	QTY	LINE	BODY	DESCRIPTION
Note:Sales Codes; ake Shoe Return Spring Lower.					
[ER0]=Engines - All 4.0L 6 Cylinder Gas ake Shoe Return Spring Lower.					
[EV0]=Engines - All 4.7L Gas ake Shoe Return Spring Lower.					
1	5011 261AB	1			BOOSTER, Power Brake, Includes item 5
-2	5012 506AA	1			GASKET, Booster to Firewall, Mounting
3					HOSE, Brake Vacuum
	5212 8097	1			[ER0]
	5212 8098	1			[EV0]
4	6100 517	4			NUT, Hex Flange Lock, M8 Phosphate, Booster to Dash, Mounting
5	5011 263AA	1			VALVE, Check, Elbow, With grommet

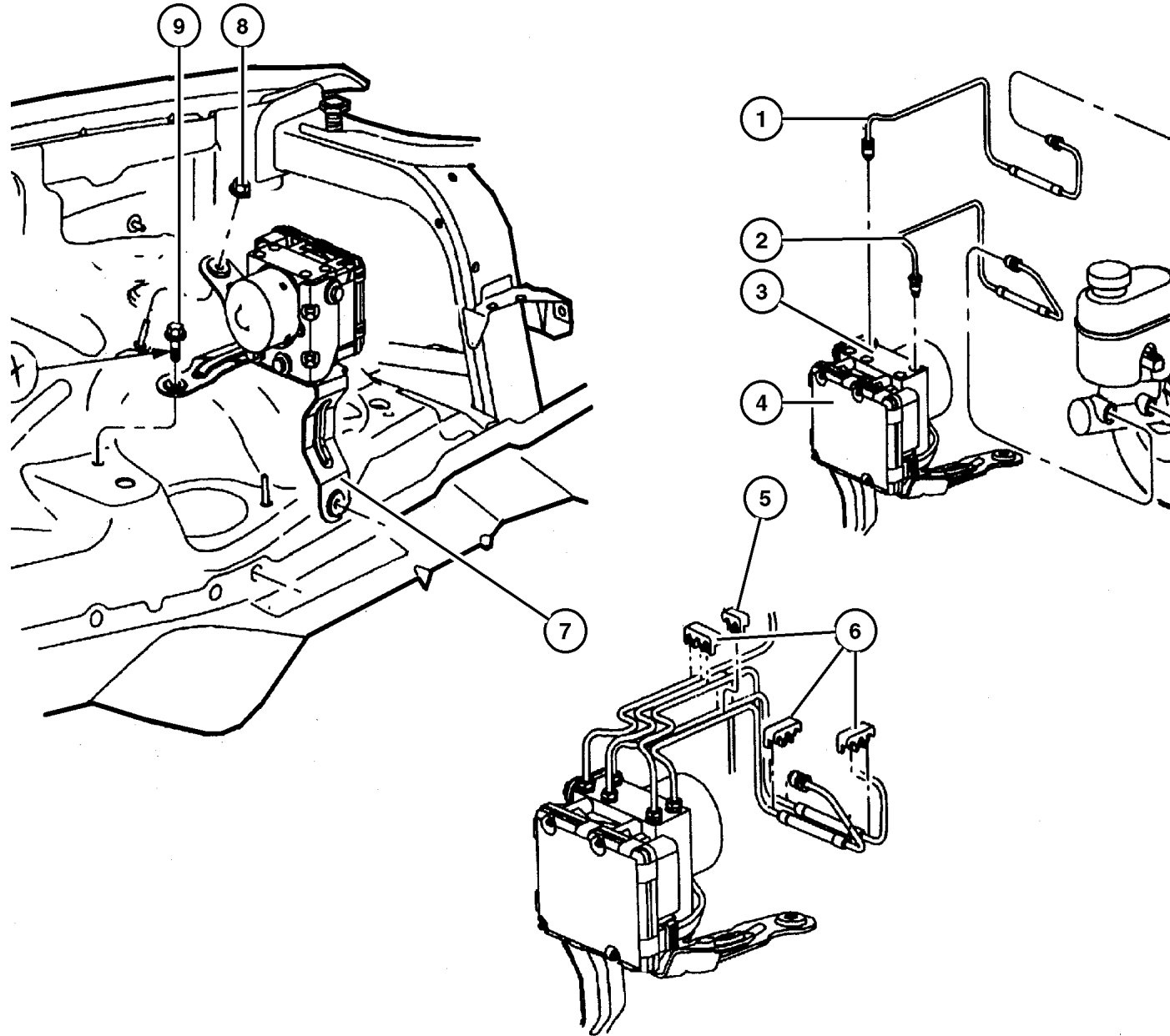


JEEP GRAND CHEROKEE (WJ)				
SERIES	LINE	BODY	ENGINE	TRANSMISSION
H = Laredo	J = 4WD	74 = 4 Door	ERH = 4.0L, Power Tech I-6	DGK = 4 Speed Autm, 42RE
M = Sport	T = 2WD		EVA = 4.7L, Power Tech V8	DGQ = 5 Speed Automatic, 45RFE
P = Limited			EVC = 4.7L HO V8 MPI	DG0 = All Automatic Transm
S = Overland			ERO = All 4.0L 6 Cyl Gas	
			EVO = All 4.7l Gas	

AR = Use as required - = Non illustrated part # = New this model year

May 1, 2002

Hydraulic Control Unit Figure 005-420



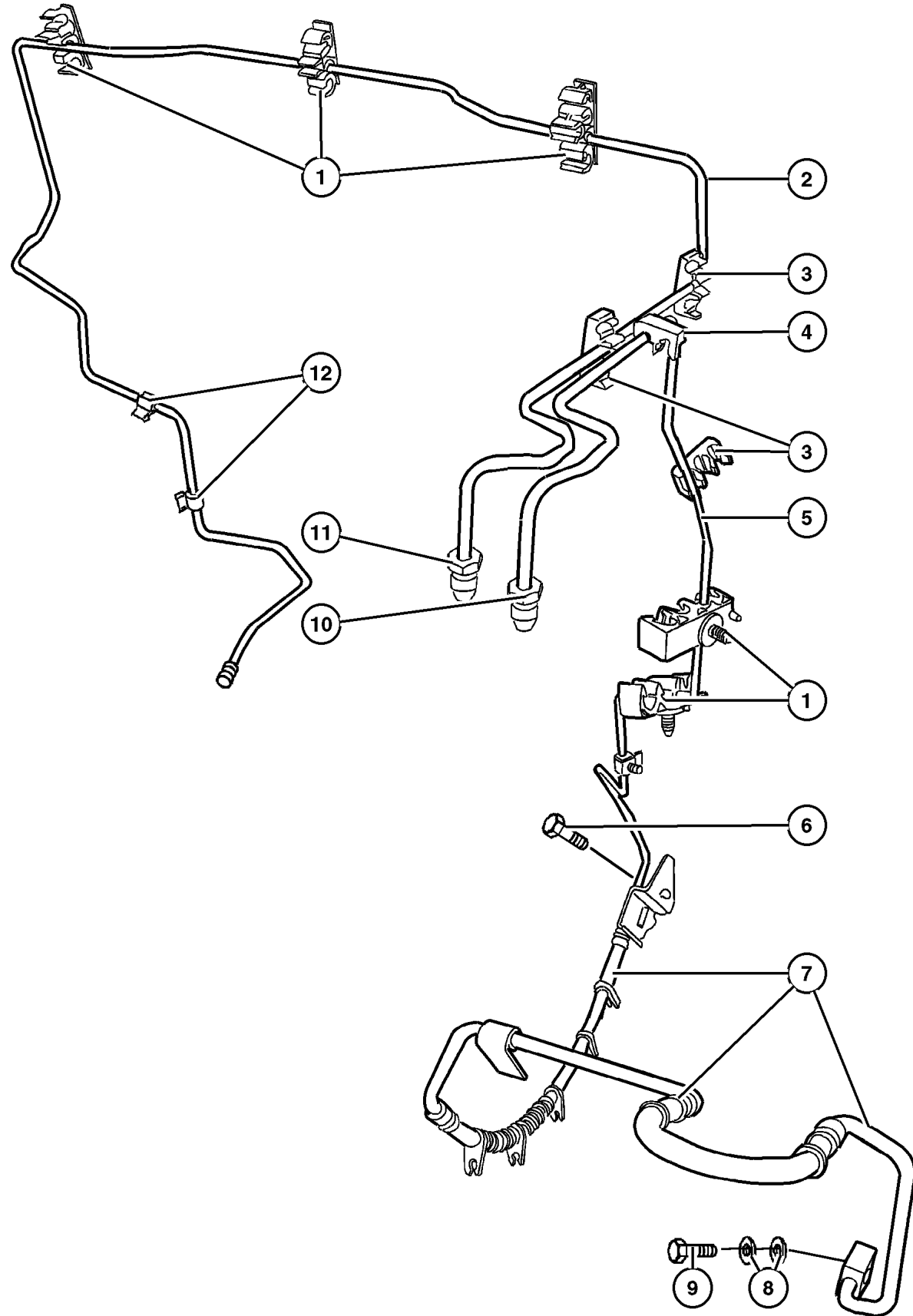
ITEM	PART NUMBER	QTY	LINE	BODY	DESCRIPTION
1	#52089 220AA	1			HOSE, Brake, Primary
2	#52089 219AA	1			HOSE, Brake, Secondary
3	#5066 657AA	1			CONTROL UNIT, Anti-Lock Brake
4	#5066 653AA	1			MODULE, Anti-lock Brakes
5	5200 8940	1			CLIP, Brake Line, 2-Way Brake Tube, Mounting
6	5200 9163	4			CLIP, Brake Line, 3-Way Brake Tube, Mounting
7	#5066 655AA	1			BRACKET, Hydraulic Control Unit, Mounting
8	3420 1711	1			NUT, Hex Flange, M8x1.25, ICU Bracket, Mounting
9	6505 923AA	2			BOLT, ICU Bracket, Mounting

JEEP GRAND CHEROKEE (WJ)				
SERIES	LINE	BODY	ENGINE	TRANSMISSION
H = Laredo	J = 4WD	74 = 4 Door	ERH = 4.0L, Power Tech I-6	DGK = 4 Speed Autm, 42RE
M = Sport	T = 2WD		EVA = 4.7L, Power Tech V8	DGQ = 5 Speed Automatic, 45RFE
P = Limited			EVC = 4.7L HO V8 MPI	DG0 = All Automatic Transm
S = Overland			ERO = All 4.0L 6 Cyl Gas	
			EVO = All 4.7I Gas	

AR = Use as required - = Non illustrated part # = New this model year

May 1, 2002

Brake Lines and Hoses,Front
Figure 005-510



ITEM	PART NUMBER	QTY	LINE	BODY	DESCRIPTION
1	5212 8214	3			CLIP, Brake Line, To Plenum-2-Way
2	52128 366AB	1			TUBE, Brake, Right
3	5200 9163	3			CLIP, Brake Line, 3-Way, Mounting
4	5200 8940	1			CLIP, Brake Line, 2-Way, Mounting
5	#52128 441AA	1			TUBE, Brake, ICU to Front Brake Hose, Left
6					BOLT
	J420 0158	2			Brake Hose to Spring Seat, Mounting
		2			Brake Hose to Sill, Mounting
7					HOSE, Brake
	52128 092AB	1			Right
	52128 093AB	1			Left
8	6035 886	8			GASKET, Brake Hose To Caliper, Mounting
9	6035 832	4			BOLT, Banjo, Brake Hose to Caliper, Mounting
10	3200 0411	1			NUT, Brake Line, To ICU
11	6503 399	1			NUT, Brake Line, To ICU
12	5200 9234	3			FASTENER, Push Pin, Brake Tube to Sill, Mounting

JEEP GRAND CHEROKEE (WJ)

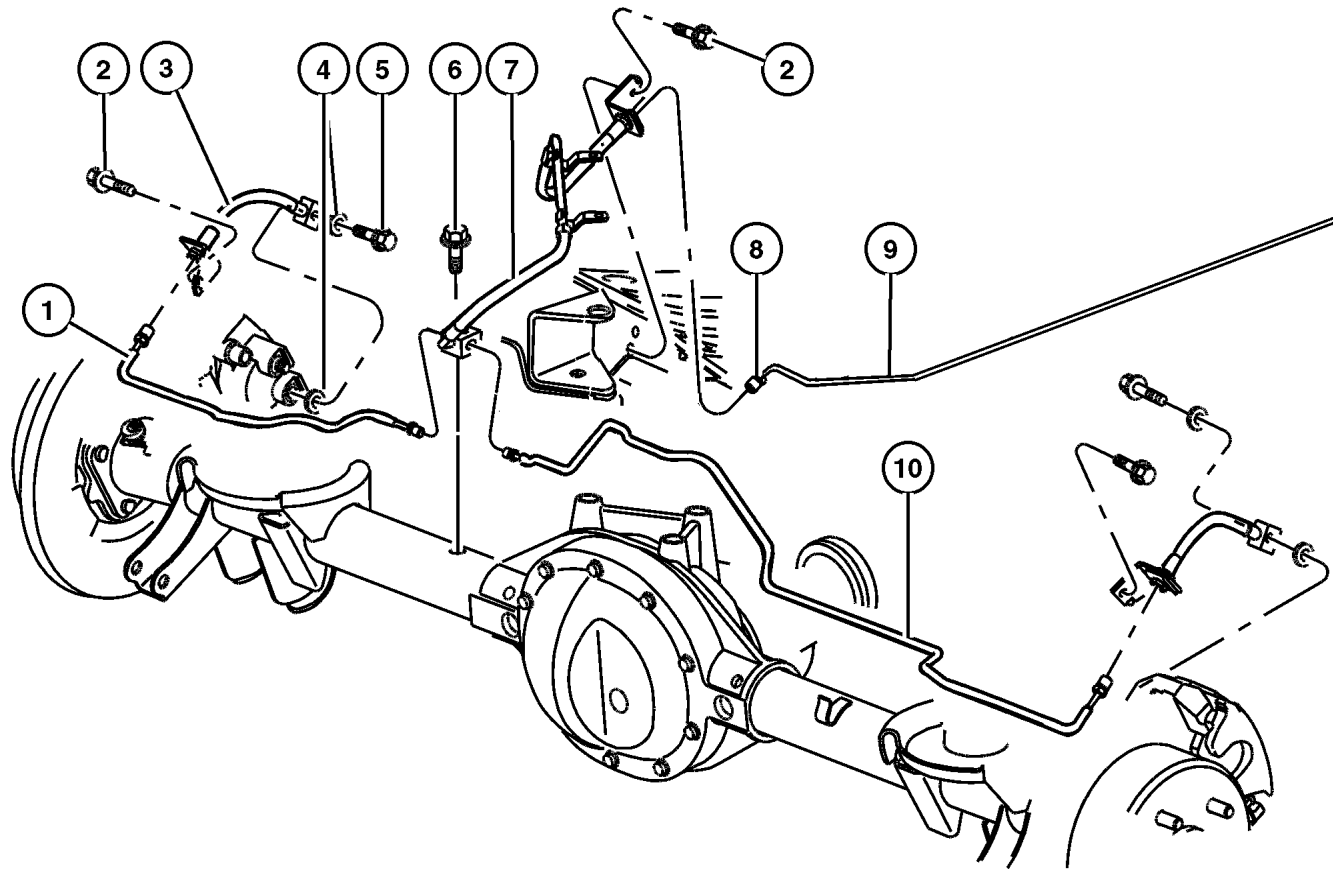
SERIES	LINE	BODY	ENGINE	TRANSMISSION
H = Laredo	J = 4WD	74 = 4 Door	ERH = 4.0L, Power Tech I-6	DGK = 4 Speed Autm, 42RE
M = Sport	T = 2WD		EVA = 4.7L, Power Tech V8	DGQ = 5 Speed Automatic, 45RFE
P = Limited			EVC = 4.7L HO V8 MPI	DG0 = All Automatic Transm
S = Overland			ERO = All 4.0L 6 Cyl Gas	
			EVO = All 4.7I Gas	

AR = Use as required - = Non illustrated part # = New this model year

May 1, 2002

Brake Lines and Hoses, Rear and Chassis
Figure 005-520

ITEM	PART NUMBER	QTY	LINE	BODY	DESCRIPTION
1	#52128 440AA	1			TUBE, Brake, Left
2					SCREW, Hex Flange Head, M6x1.00x20.00, Right and Left, (NOT SERVICED)
3					HOSE, Brake
	5212 8094	1			Right
	5212 8095	1			Left
4	6035 886	8			GASKET, Brake Hose To Caliper, Right & Left
5	J400 6700	4			BOLT, Banjo, Right & Left
6	4137 696	1			SCREW, Brake Tee, .437-20x2.07
7	52128 096AB	1			HOSE, Brake, with Tee
8	6503 707	1			NUT, Brake Line
9	#52128 438AB	1			TUBE, Brake, Rear
10	52128 439AA	1			TUBE, Brake, Right
-11					SENSOR, Wheel Speed
	56041 308AA	1			Right
	56041 509AA	1			Left



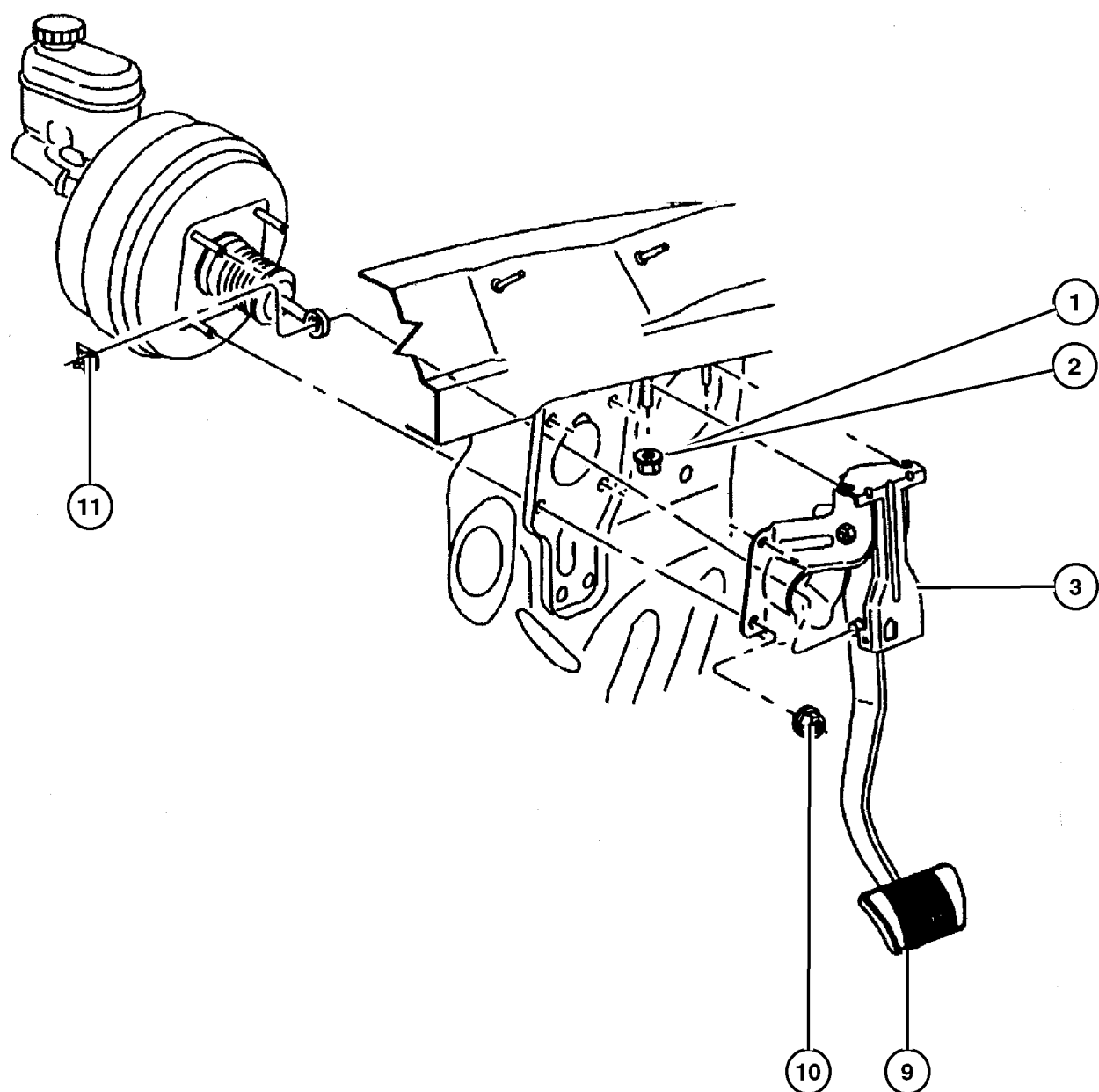
JEEP GRAND CHEROKEE (WJ)				
SERIES	LINE	BODY	ENGINE	TRANSMISSION
H = Laredo	J = 4WD	74 = 4 Door	ERH = 4.0L, Power Tech I-6	DGK = 4 Speed Autm, 42RE
M = Sport	T = 2WD		EVA = 4.7L, Power Tech V8	DGQ = 5 Speed Automatic, 45RFE
P = Limited			EVC = 4.7L HO V8 MPI	DG0 = All Automatic Transm
S = Overland			ERO = All 4.0L 6 Cyl Gas	
			EVO = All 4.7l Gas	

AR = Use as required - = Non illustrated part # = New this model year

May 1, 2002

Brake Pedals, Standard and Adjustable Figure 005-610

ITEM	PART NUMBER	QTY	LINE	BODY	DESCRIPTION
Note: Sales Codes; ake Shoe Return Spring Lower.					
[XAM]=Pedals - Power Adjustable with Memory ake Shoe Return Spring Lower.					
[XAP]=Pedals - Power Adjustable ake Shoe Return Spring Lower.					
1	6100 517	2			NUT, Hex Flange Lock, M8 Phosphate, Pedal Bracket-Up To and Including 08-06-01, Mounting
2	6100 050	2			NUT AND WASHER, Hex, M8x1.25, Pedal Bracket-08-07-01 and After, Mounting
3					PEDAL, Brake
	52128 148AD	1			Without [XAM,XAP]
	#52129 200AF	1			With [XAM,XAP]
-4	#5073 040AA	1			HARNESS, With [XAM,XAP]
-5	#5073 041AA	1			MOTOR, Adjustable Brake and Accelerator Pedal, With [XAM,XAP]
-6	#5072 251AA	1			MODULE, Brake Pedal, With [XAM,XAP]
-7	4671 336	1			SWITCH, Stop Lamp, Without [XAM,XAP]
-8					SWITCH, Adjustable Pedals
	#5HU33 1DVAB	1			With [XAM,XAP] DB
					With [XAM,XAP] DV
	#5HU33 1L8AB	1			With [XAM,XAP] L5
	#5HU33 1TMAB	1			With [XAM,XAP] T5
9	4779 027	1			PAD, Pedal
10	6100 517	4			NUT, Hex Flange Lock, M8 Phosphate, Booster to Sled, Mounting
11	6035 334	1			CLIP, Brake Push Rod, Mounting



JEEP GRAND CHEROKEE (WJ)				
SERIES	LINE	BODY	ENGINE	TRANSMISSION
H = Laredo	J = 4WD	74 = 4 Door	ERH = 4.0L, Power Tech I-6	DGK = 4 Speed Autm, 42RE
M = Sport	T = 2WD		EVA = 4.7L, Power Tech V8	DGQ = 5 Speed Automatic, 45RFE
P = Limited			EVC = 4.7L HO V8 MPI	DG0 = All Automatic Transm
S = Overland			ERO = All 4.0L 6 Cyl Gas	
			EVO = All 4.7l Gas	

AR = Use as required - = Non illustrated part # = New this model year

May 1, 2002

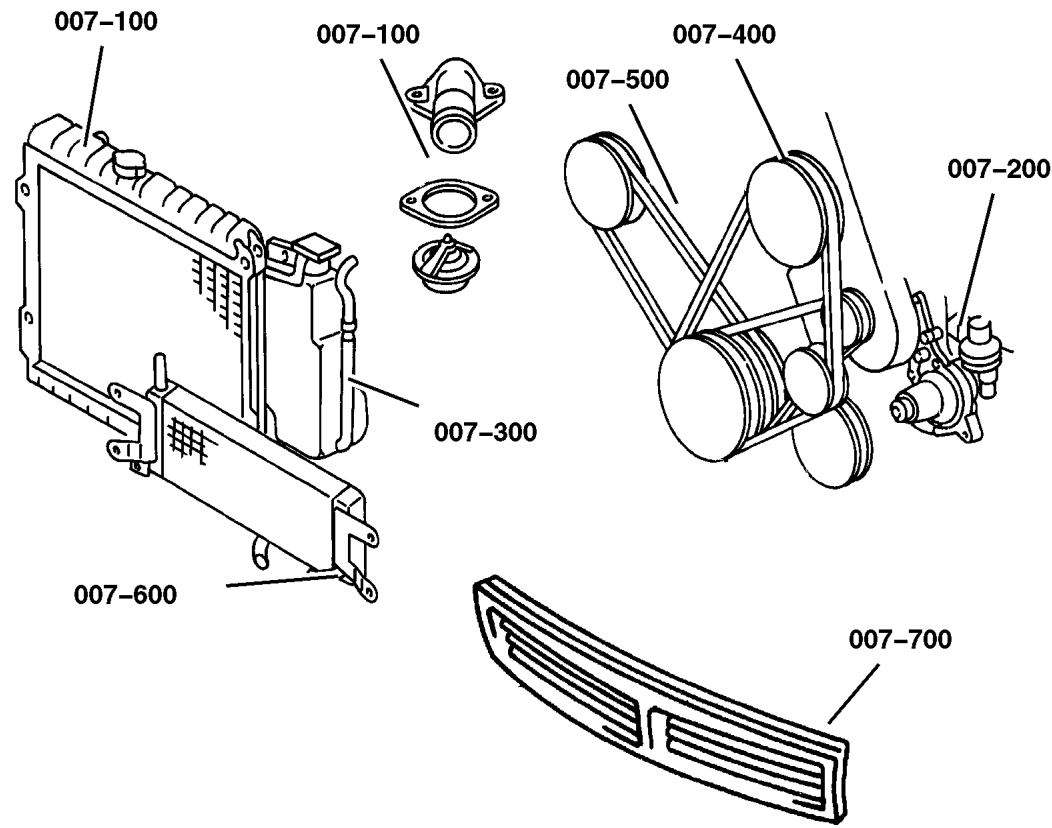
Group – 007

Cooling

GROUP 7 - Cooling

Illustration Title

Group-Fig. No.



Radiator and Related Parts

Radiator and Related Parts 4.0L Engine	Fig. 007-150
Radiator and Related Parts 4.7L Engine	Fig. 007-160
Radiator Upper Support	Fig. 007-170

Water Pump and Related Parts

Water Pump and Related Parts 4.0L Engine	Fig. 007-210
Water Pump and Related Parts 4.7L Engine	Fig. 007-220

Tank, Coolant Engine

Coolant Tank, 4.0,4.7L Engine	Fig. 007-310
-------------------------------------	--------------

Pulleys and Related Parts

Drive Pulleys 4.0L Engine	Fig. 007-420
Drive Pulleys 4.7L Engine	Fig. 007-430

Drive Belts

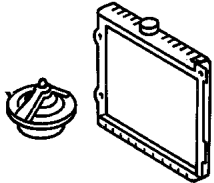
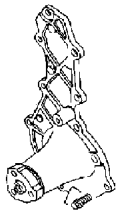

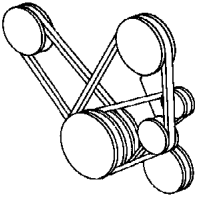
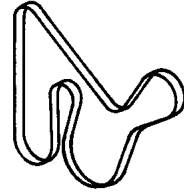
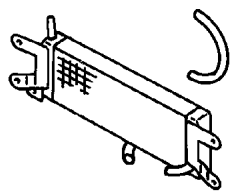
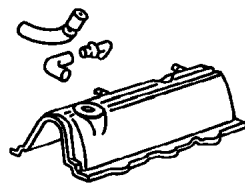
Drive Belts 4.0L and 4.7L Engines	Fig. 007-520
---	--------------

Lines, Transmission Oil Cooler

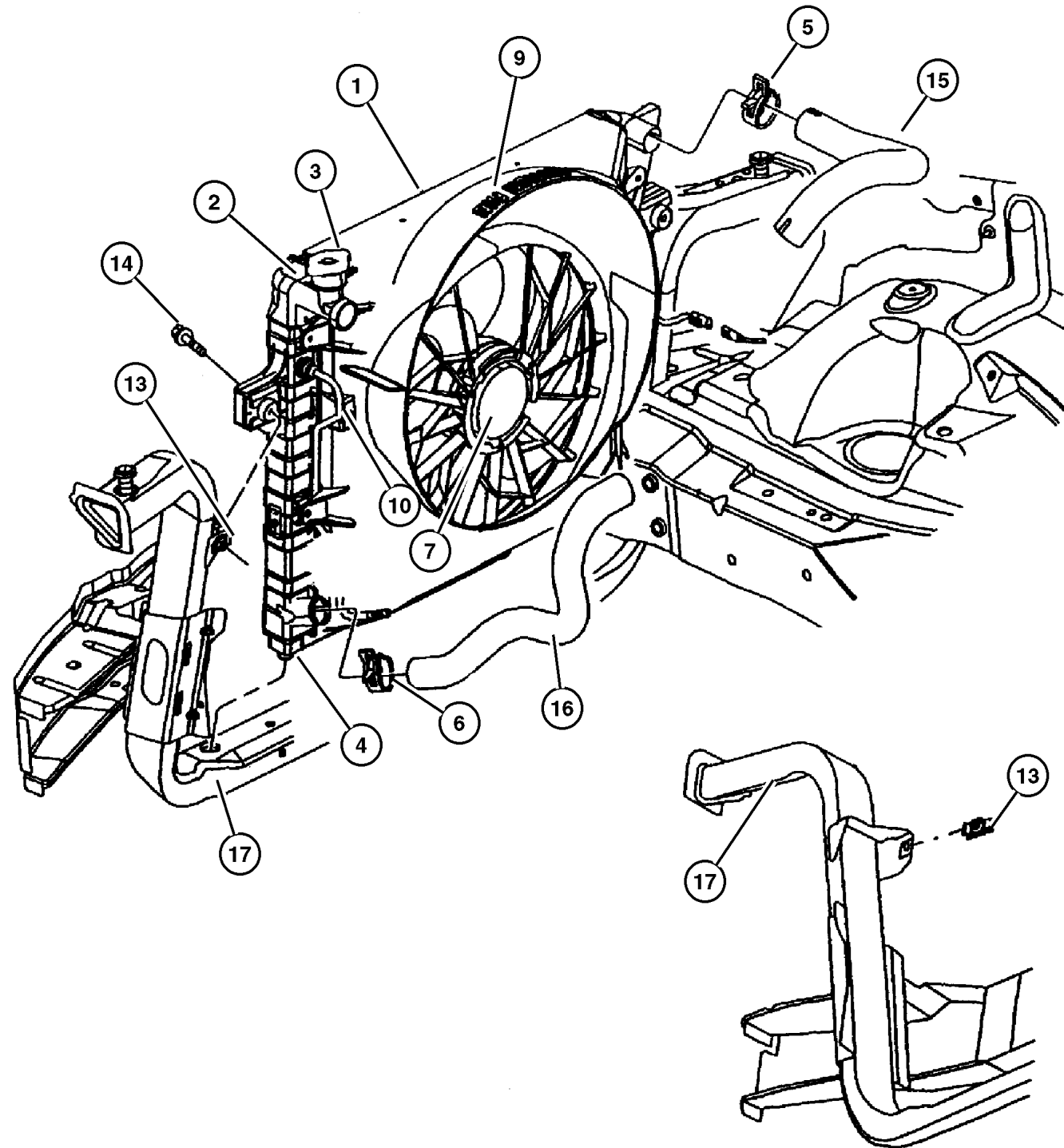
Oil Cooler and Lines 4.0L Engines	Fig. 007-610
Oil Cooler and Lines 4.7L Engine	Fig. 007-620

Grilles

Grille and Related Parts	Fig. 007-720
--------------------------------	--------------

<p>007-100 Radiator and Related Parts</p> 	<p>007-200 Water Pump and Related Parts</p> 	<p>007-300 Tank, Coolant Engine</p> 	<p>007-400 Pulleys and Related Parts</p> 
<p>007-500 Drive Belts</p> 	<p>007-600 Lines, Transmission Oil Cooler</p> 	<p>007-700 Grilles</p> 	

Radiator and Related Parts 4.0L Engine Figure 007-150



ITEM	PART NUMBER	QTY	LINE	ENGINE	TRANS	DESCRIPTION
------	-------------	-----	------	--------	-------	-------------

Note: Sales Code ER0 = 4.0L Engine ake Shoe Return Spring Lower.

Note: Sales Code DG0 = All Auto Trans ake Shoe Return Spring Lower.

1	55115 918AC	1		ER0	DG0	CONDENSER, Air Conditioning
2	52079 428AB	1		ER0	DG0	RADIATOR, Engine Cooling
3	52079 799AA	1		ER0	DG0	CAP, Radiator
4	5207 9419	2		ER0	DG0	ISOLATOR, Radiator, Left
5	52079 632AA	1		ER0	DG0	CLAMP, Oil Cooler Tube
6	52079 632AA	1		ER0	DG0	CLAMP, Oil Cooler Tube
7						FAN, Cooling
	52079 528AB	1		ER0	DG0	without Trailer Tow
	52079 984AA	1		ER0	DG0	with Trailer Tow
-8	55116 813AA	1		ER0		VISCOUS CLUTCH, Fan Drive
9	52079 489AB	1		ER0	DG0	SHROUD, Fan
10						TUBE, Oil Cooler
	52079 432AB	1		ER0	DG0	Pressure
	52079 753AB	1		ER0	DG0	Return
-11	52079 886AA	1		ER0	DG0	SEAL, Radiator Condenser
-12						SEAL, Radiator
	5511 5922	1		ER0	DG0	Right
	5511 5923	1		ER0	DG0	Left
13	6505 172AA	4		ER0	DG0	U-NUT, M6x1.00
14	6102 117AA	4		ER0	DG0	SCREW AND WASHER, Hex Head, M6x1x20
15	52079 406AC	1		ER0		HOSE, Radiator Inlet
16	52079 401AB	1		ER0		HOSE, Radiator Outlet
17	#55135 870AE	1				CROSSMEMBER, Radiator
-18	53020 547AB	1		ER0		GASKET, Thermostat
-19	5300 6192	1		ER0		HOUSING, Thermostat
-20	5202 8186	1		ER0		THERMOSTAT, 195 Degrees

JEEP GRAND CHEROKEE (WJ)

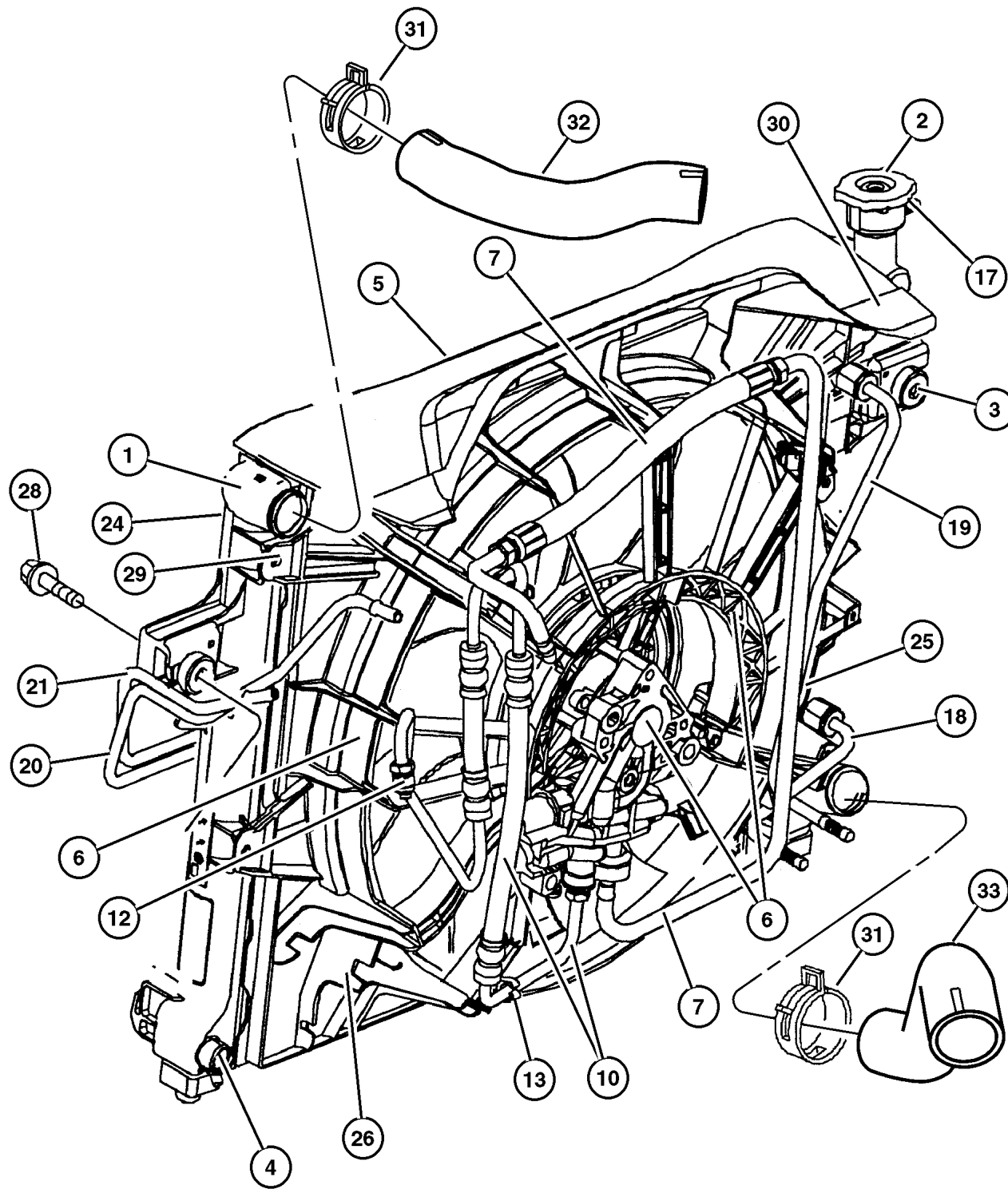
SERIES	LINE	BODY	ENGINE	TRANSMISSION
H = Laredo	J = 4WD	74 = 4 Door	ERH = 4.0L, Power Tech I-6	DGK = 4 Speed Autm, 42RE
M = Sport	T = 2WD		EVA = 4.7L, Power Tech V8	DGQ = 5 Speed Automatic, 45RFE
P = Limited			EVC = 4.7L HO V8 MPI	DG0 = All Automatic Transm
S = Overland			ERO = All 4.0L 6 Cyl Gas	
			EVO = All 4.7l Gas	

AR = Use as required - = Non illustrated part # = New this model year

May 1, 2002

Radiator and Related Parts 4.7L Engine Figure 007-160

ITEM	PART NUMBER	QTY	LINE	ENGINE	TRANS	DESCRIPTION
Note: ake Shoe Return Spring Lower.						
ERO = All 4.0L Engines ake Shoe Return Spring Lower.						
EVO = All 4.7L Engine ake Shoe Return Spring Lower.						
1	52079 883AB	1		EVO		RADIATOR, Engine Cooling
2	52079 778AA	1		EVO		CAP, Radiator
3						ISOLATOR, Radiator
	5207 9419	2		EVO		Upper
	52079 884AA	2		EVO		Sides
4	5202 8466	1		EVO		DRAINCOCK, Radiator
5	55115 918AC	1		EVO		CONDENSER, Air Conditioning
6	52079 860AA	1		EVO		SHROUD, Fan, Contains: Fan, Motor and Shroud
7	5019 708AB	1		EVO		HOSE PACKAGE, Hydraulic Fan
-8	52088 914AA	1		EVO		FITTING, Quick Disconnect
-9	5019 705AA	1		EVO		O RING
10	52089 505AD	1		EVO		HOSE, Power Steering Pressure
-11						NUT, M16x1.5, (NOT SERVICED)
12	5205 254	2		EVO		O RING, Power Steering Hose
13	52079 929AB	1		EVO		CLIP, Line
-14	52080 135AA	1		EVO		HARNESS, Jumper
-15	52079 632AA	1		EVO		CLAMP, Oil Cooler Tube
-16	4026 139	1		EVO		HOSE, Oil Cooler
17						HOSE, Drain, (NOT SERVICED)
18	52079 861AA	1		EVO		TUBE, Oil Cooler, Cooling, Pressure
19	52079 862AA	1		EVO		TUBE, Oil Cooler, Cooling, Return
20	52079 892AC	1		EVO		TUBE, Oil Cooler, Power Steering, Pressure
21	52079 893AB	1		EVO		TUBE, Oil Cooler, Power Steering, Return
-22	52079 948AB	1		EVO		COOLER, Power Steering
-23	4546 594	1		EVO		SLEEVE, Braided Expandable
24	52079 886AA	1		EVO		SEAL, Radiator Condenser
25	52079 887AA	1		EVO		SEAL, Radiator, Left
26	52079 888AA	1		EVO		SEAL, Radiator, Right
-27	6505 172AA	4		EVO		U-NUT, M6x1.00
28	6102 117AA	4		EVO		SCREW AND WASHER, Hex Head, M6x1x20
29	J400 4262	4		EVO		PIN, Push, .15x.41
30	5303 0960	1		EVO		LABEL, Belt Routing
31	5200 5580	1		ERO, EVO		CLAMP, Hose to Radiator
32	52079 872AA	1		EVO		HOSE, Radiator Inlet
33	52079 873AA	1		EVO		HOSE, Radiator Outlet



JEEP GRAND CHEROKEE (WJ)

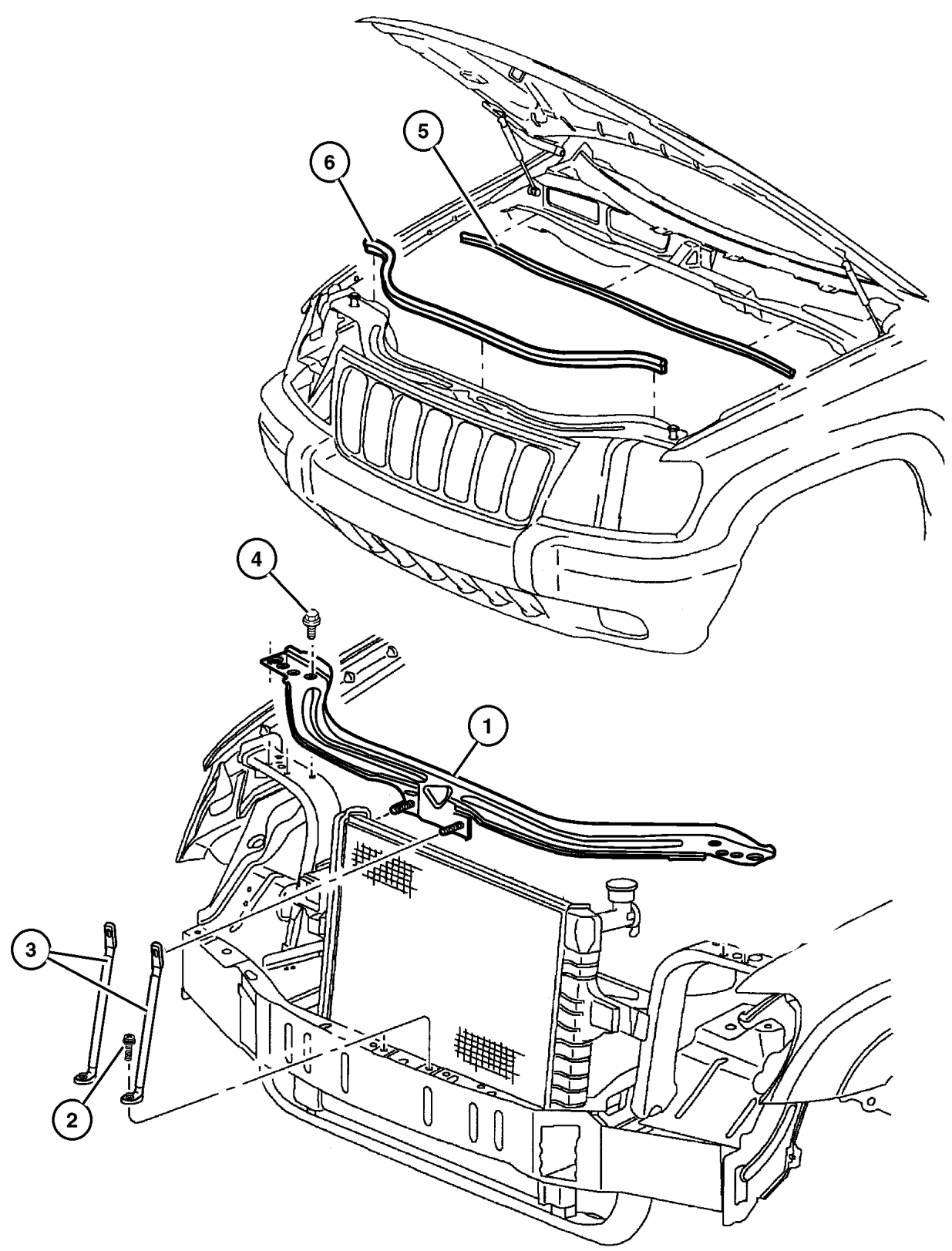
SERIES	LINE	BODY	ENGINE	TRANSMISSION
H = Laredo	J = 4WD	74 = 4 Door	ERH = 4.0L, Power Tech I-6	DGK = 4 Speed Autm, 42RE
M = Sport	T = 2WD		EVA = 4.7L, Power Tech V8	DGQ = 5 Speed Automatic, 45RFE
P = Limited			EVC = 4.7L HO V8 MPI	DG0 = All Automatic Transm
S = Overland			ERO = All 4.0L 6 Cyl Gas	
			EVO = All 4.7L Gas	

AR = Use as required - = Non illustrated part # = New this model year

May 1, 2002

Radiator Upper Support Figure 007-170

ITEM	PART NUMBER	QTY	LINE	ENGINE	TRANS	DESCRIPTION
1	5207 9416	1				CROSSMEMBER, Radiator
2						SCREW, Round Head, M6x1x25, (NOT SERVICED)
3	55136 273AB	1				BRACE, Radiator Crossmember
4	6505 814AA	4				SCREW, M8x1.25x20
5	55135 392AB	1				SEAL, Hood To Plenum
6	55135 398AB	1				SEAL, Hood



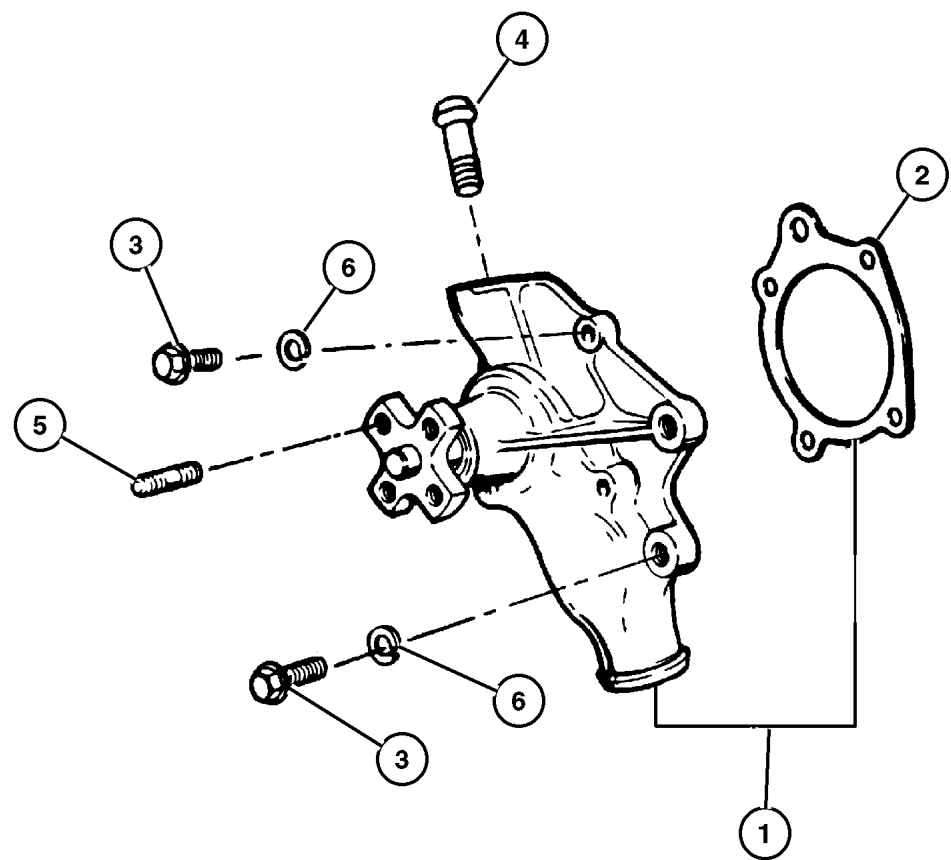
JEEP GRAND CHEROKEE (WJ)				
SERIES	LINE	BODY	ENGINE	TRANSMISSION
H = Laredo	J = 4WD	74 = 4 Door	ERH = 4.0L, Power Tech I-6	DGK = 4 Speed Autm, 42RE
M = Sport	T = 2WD		EVA = 4.7L, Power Tech V8	DGQ = 5 Speed Automatic, 45RFE
P = Limited			EVC = 4.7L HO V8 MPI	DG0 = All Automatic Transm
S = Overland			ERO = All 4.0L 6 Cyl Gas	
			EVO = All 4.7l Gas	

AR = Use as required - = Non illustrated part # = New this model year

May 1, 2002

**Water Pump and Related Parts 4.0L Engine
Figure 007-210**

ITEM	PART NUMBER	QTY	LINE	ENGINE	TRANS	DESCRIPTION
Note: Sales Code ERO = 4.0L Engine ake Shoe Return Spring Lower.						
1	5012 366AA	1		ERO		PUMP PACKAGE, Water
2	5301 0419	1		ERO		GASKET, Water Pump
3						SCREW AND WASHER, Hex Head, .312-18x1.75, (NOT SERVICED)
4	5300 7978	1		ERO		TUBE, Water Pump Heater Return
5						STUD, .312-18/.312-24x1.250, (NOT SERVICED)
6	5013 014AA	1	J	ERO		WASHER

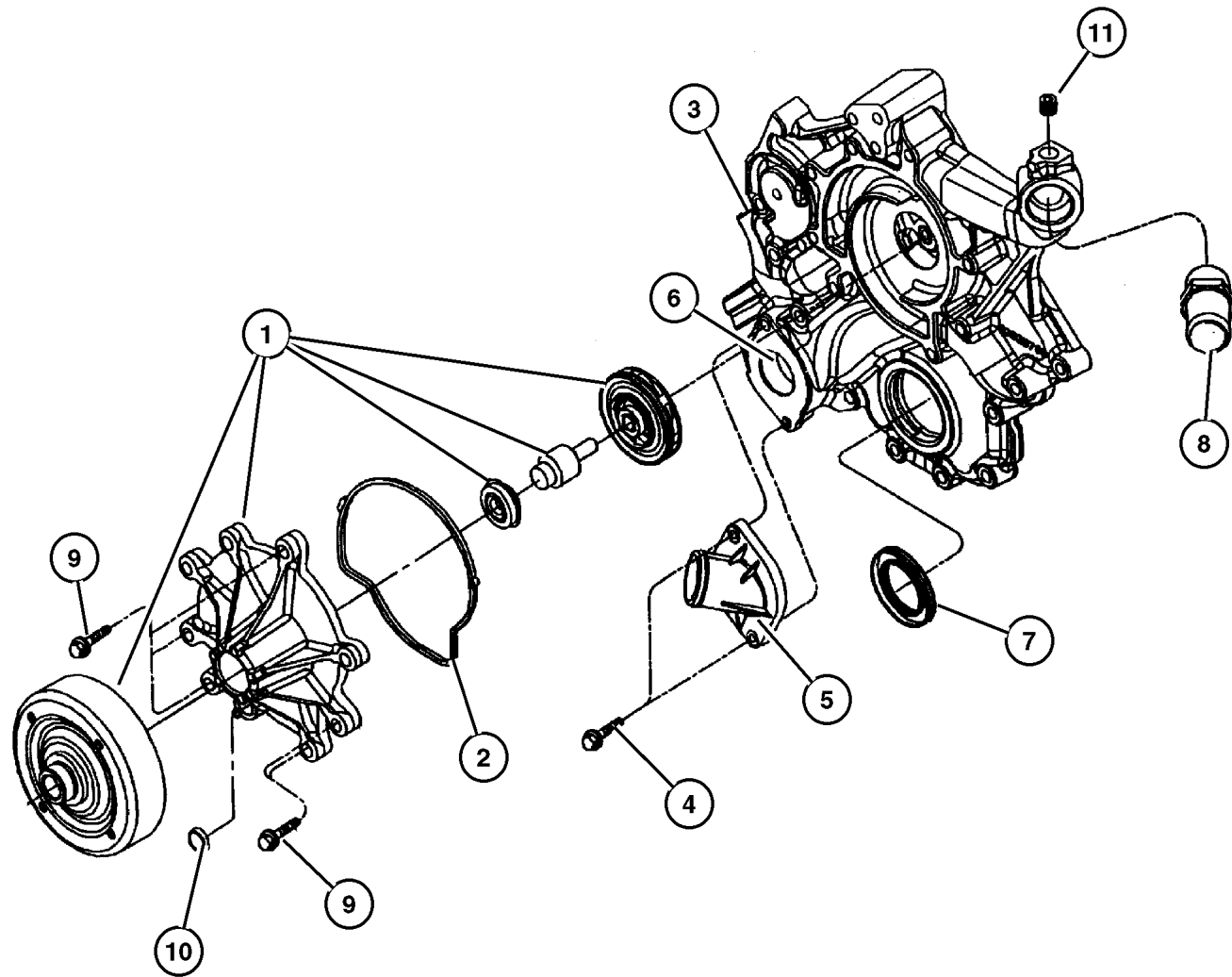


JEEP GRAND CHEROKEE (WJ)				
SERIES	LINE	BODY	ENGINE	TRANSMISSION
H = Laredo	J = 4WD	74 = 4 Door	ERH = 4.0L, Power Tech I-6	DGK = 4 Speed Autm, 42RE
M = Sport	T = 2WD		EVA = 4.7L, Power Tech V8	DGQ = 5 Speed Automatic, 45RFE
P = Limited			EVC = 4.7L HO V8 MPI	DG0 = All Automatic Transm
S = Overland			ERO = All 4.0L 6 Cyl Gas	
			EVO = All 4.7l Gas	

AR = Use as required - = Non illustrated part # = New this model year

Water Pump and Related Parts 4.7L Engine
Figure 007-220

ITEM	PART NUMBER	QTY	LINE	ENGINE	TRANS	DESCRIPTION
Note: Sales Code EVO = 4.7L Engine aka Shoe Return Spring Lower.						
1	53020 873AC	1		EVO		PUMP, Water
2	5302 0865	1		EVO		GASKET, Water Pump
3	6035 854	2		EVO		FITTING, Y-Style
4	6505 502AA	2		EVO		SCREW
5	53020 887AB	1		EVO		HOUSING, Thermostat
6	52079 476AB	1		EVO		THERMOSTAT, with Seal
7	53021 313AA	1		EVO		SEAL, Crankshaft Oil, Front
8						PIPE FITTING, Chain Case Cover, .375-18x2, (NOT SERVICED)
9						SCREW, M6x1x25, (NOT SERVICED)
10						PLUG, (NOT SERVICED)
11						PLUG, (NOT SERVICED)



JEEP GRAND CHEROKEE (WJ)

SERIES	LINE	BODY	ENGINE	TRANSMISSION
H = Laredo	J = 4WD	74 = 4 Door	ERH = 4.0L, Power Tech I-6	DGK = 4 Speed Autm, 42RE
M = Sport	T = 2WD		EVA = 4.7L, Power Tech V8	DGQ = 5 Speed Automatic, 45RFE
P = Limited			EVC = 4.7L HO V8 MPI	DG0 = All Automatic Transm
S = Overland			ERO = All 4.0L 6 Cyl Gas	
			EVO = All 4.7l Gas	

AR = Use as required - = Non illustrated part # = New this model year

May 1, 2002

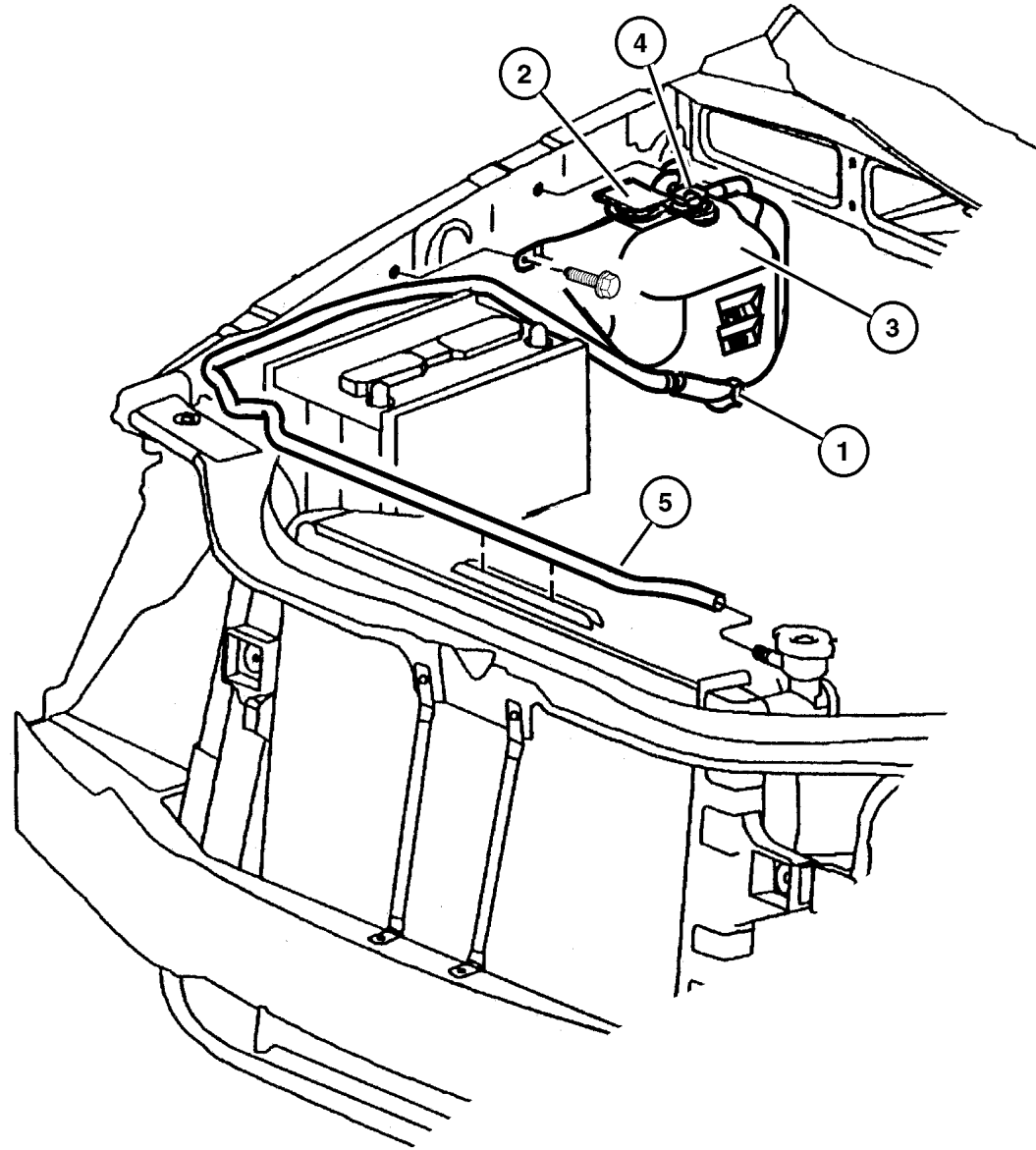
**Coolant Tank, 4.0,4.7L Engine
Figure 007-310**

ITEM	PART NUMBER	QTY	LINE	ENGINE	TRANS	DESCRIPTION
------	-------------	-----	------	--------	-------	-------------

Note: Sales Code ER0 = 4.0L Engine ake Shoe Return Spring Lower.

Note: Sales Code EV0 = 4.7L Engine ake Shoe Return Spring Lower.

1						GROMMET
	5202 8254	1		ER0		
		1		EV0		
2	5207 9331	1		ER0		CAP, Coolant Reserve Tank
3						BOTTLE, Coolant Recovery
	52079 461AB	1		ER0		
		1		EV0		
4	5207 9468	1		ER0		SENSOR, Coolant Level
5	4026 148	1		EV0		HOSE, Coolant Reserve Tank



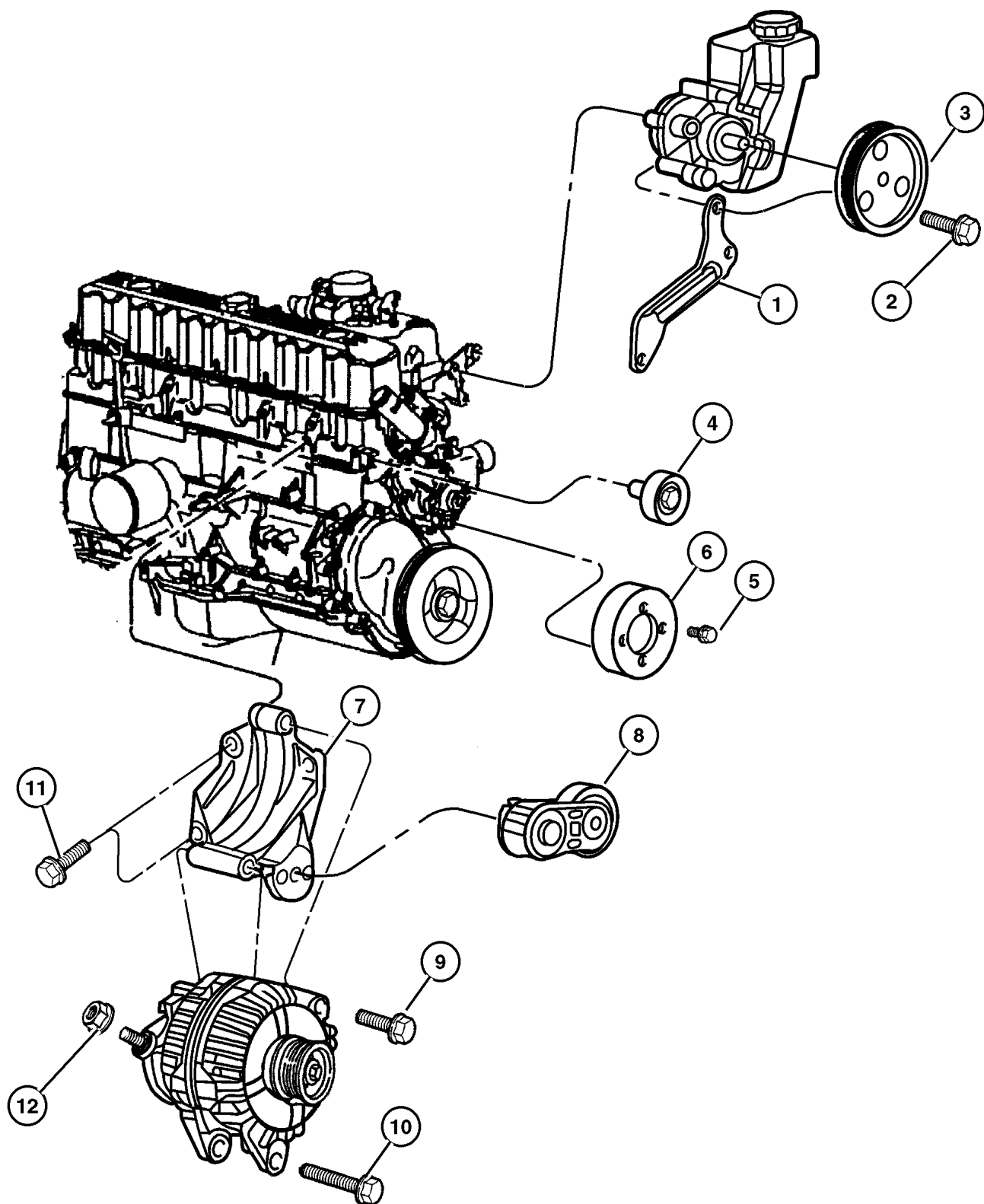
JEEP GRAND CHEROKEE (WJ)

SERIES	LINE	BODY	ENGINE	TRANSMISSION
H = Laredo	J = 4WD	74 = 4 Door	ERH = 4.0L, Power Tech I-6	DGK = 4 Speed Autm, 42RE
M = Sport	T = 2WD		EVA = 4.7L, Power Tech V8	DGQ = 5 Speed Automatic, 45RFE
P = Limited			EVC = 4.7L HO V8 MPI	DG0 = All Automatic Transm
S = Overland			ER0 = All 4.0L 6 Cyl Gas	
			EVO = All 4.7l Gas	

AR = Use as required - = Non illustrated part # = New this model year

May 1, 2002

Drive Pulleys 4.0L Engine
Figure 007-420



ITEM	PART NUMBER	QTY	LINE	ENGINE	TRANS	DESCRIPTION
Note: Sales Code ake Shoe Return Spring Lower.						
ERO = All 4.0L Engines ake Shoe Return Spring Lower.						
EVO = All 4.7L Engines ake Shoe Return Spring Lower.						
1	4854 157	1		ERO		BRACE, Power Steering Pump
2	6502 425	3		ERO		SCREW AND WASHER, Hex Head, M8x1.25x95
3	53010 258AB	1		ERO		PULLEY, Power Steering Pump
4	4854 092	1		ERO		PULLEY, Idler
5	6034 860	4		ERO		BOLT AND WASHER, Implement Attaching
6	4854 032	1		ERO		PULLEY, Water Pump
7	4854 026	1		ERO		BRACKET, Alternator
8	4854 089AB	1		ERO		TENSIONER, Alternator Belt
9	6505 488AA	1		ERO		SCREW AND WASHER, Hex
10	6504 344	1		ERO		SCREW AND WASHER, Hex Head
11	0154 854AA	4		ERO		SCREW AND WASHER, Hex
12						NUT, M8x1.25, (NOT SERVICED)

JEEP GRAND CHEROKEE (WJ)				
SERIES	LINE	BODY	ENGINE	TRANSMISSION
H = Laredo	J = 4WD	74 = 4 Door	ERH = 4.0L, Power Tech I-6	DGK = 4 Speed Autm, 42RE
M = Sport	T = 2WD		EVA = 4.7L, Power Tech V8	DGQ = 5 Speed Automatic, 45RFE
P = Limited			EVC = 4.7L HO V8 MPI	DG0 = All Automatic Transm
S = Overland			ERO = All 4.0L 6 Cyl Gas	
			EVO = All 4.7l Gas	

AR = Use as required - = Non illustrated part # = New this model year

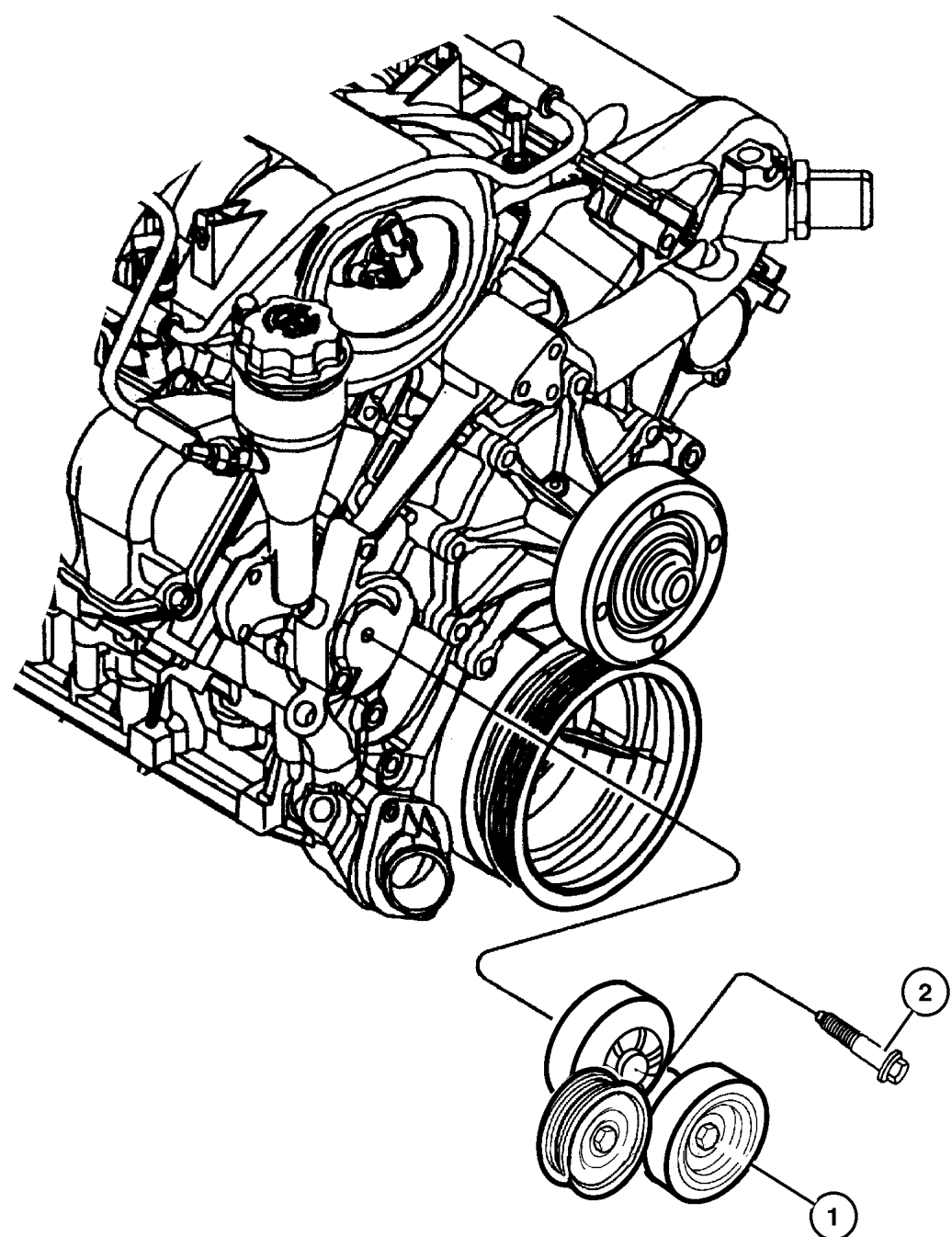
May 1, 2002

Drive Pulleys 4.7L Engine
Figure 007-430

ITEM	PART NUMBER	QTY	LINE	ENGINE	TRANS	DESCRIPTION
------	-------------	-----	------	--------	-------	-------------

Note: Sales Code EVO = 4.7L Engine aka Shoe Return Spring Lower.

1	5303 0958	1		EVO		TENSIONER, Alternator Belt
2	6504 930AA	1		EVO		SCREW AND WASHER, Hex Head, M10x1.5x70



JEEP GRAND CHEROKEE (WJ)				
SERIES	LINE	BODY	ENGINE	TRANSMISSION
H = Laredo	J = 4WD	74 = 4 Door	ERH = 4.0L, Power Tech I-6	DGK = 4 Speed Autm, 42RE
M = Sport	T = 2WD		EVA = 4.7L, Power Tech V8	DGQ = 5 Speed Automatic, 45RFE
P = Limited			EVC = 4.7L HO V8 MPI	DG0 = All Automatic Transm
S = Overland			ERO = All 4.0L 6 Cyl Gas	
			EVO = All 4.7l Gas	

AR = Use as required - = Non illustrated part # = New this model year

May 1, 2002

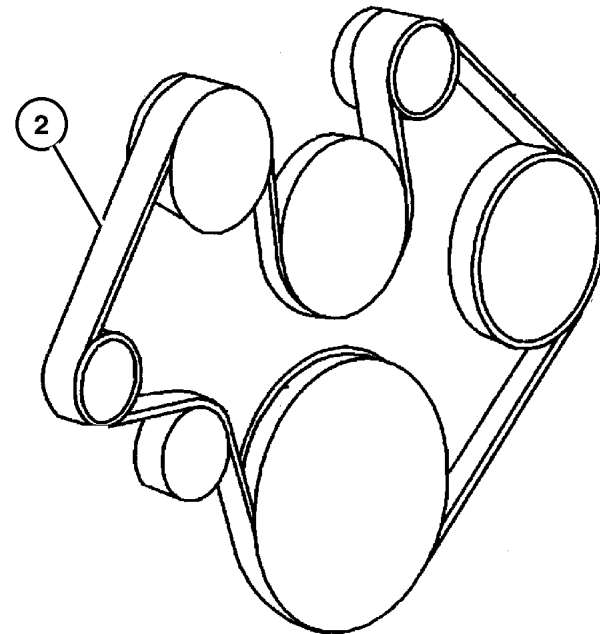
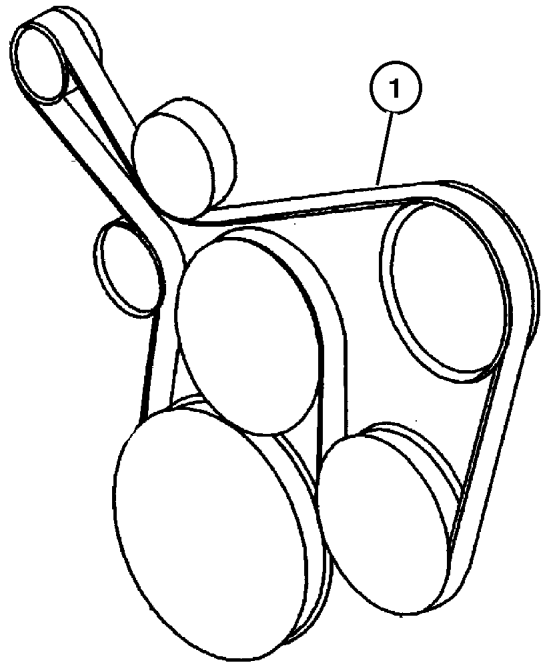
**Drive Belts 4.0L and 4.7L Engines
Figure 007-520**

ITEM	PART NUMBER	QTY	LINE	ENGINE	TRANS	DESCRIPTION
------	-------------	-----	------	--------	-------	-------------

Note: Sales Code ER0 = 4.0L Engine ake Shoe Return Spring Lower.

Note: Sales Code EVO = 4.7L Engine ake Shoe Return Spring Lower.

1	#4854 033AB	1		ER0		BELT, Accessory Drive
2	53032 037AC	1		EVO		BELT, Accessory Drive

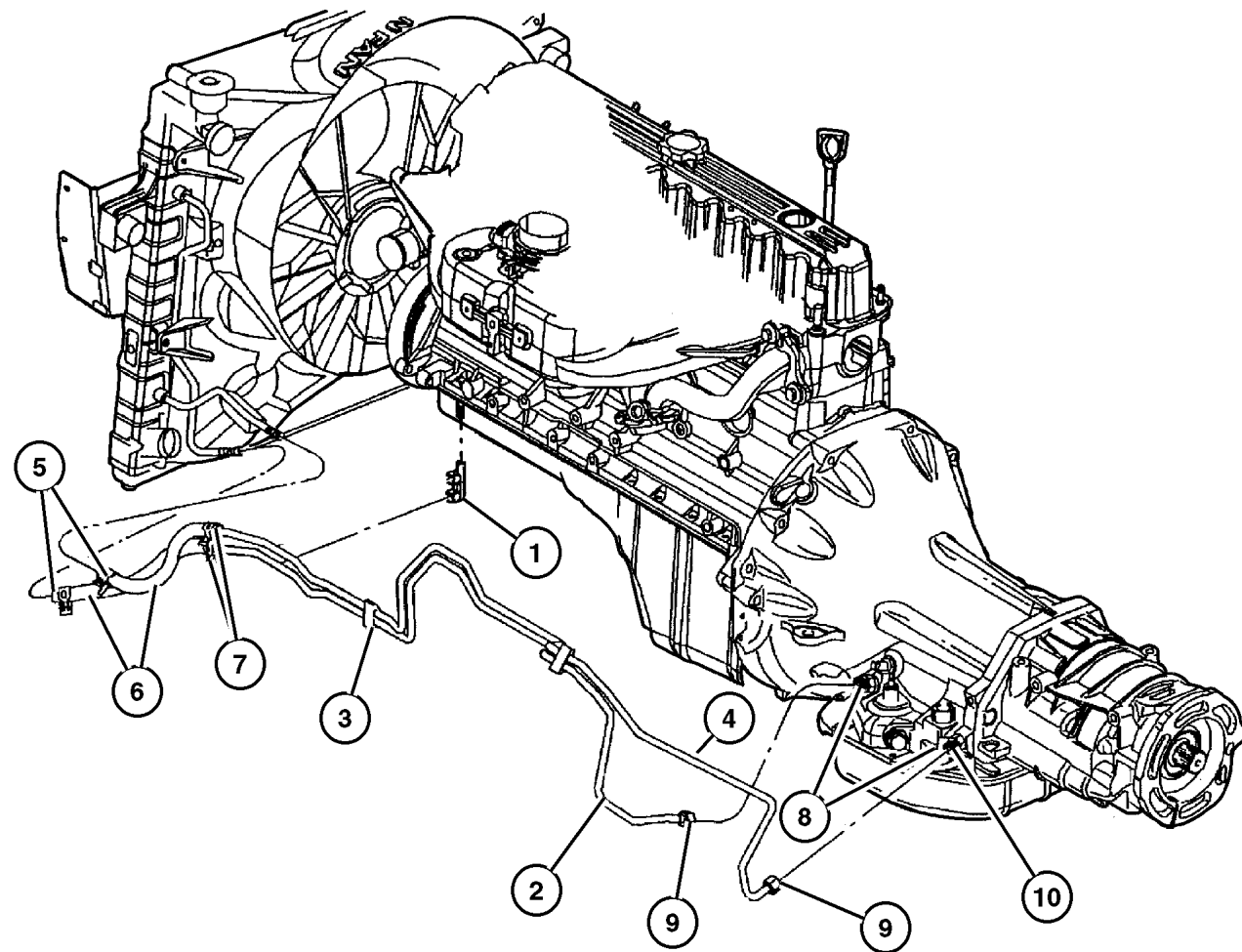


JEEP GRAND CHEROKEE (WJ)				
SERIES	LINE	BODY	ENGINE	TRANSMISSION
H = Laredo	J = 4WD	74 = 4 Door	ERH = 4.0L, Power Tech I-6	DGK = 4 Speed Autm, 42RE
M = Sport	T = 2WD		EVA = 4.7L, Power Tech V8	DGQ = 5 Speed Automatic, 45RFE
P = Limited			EVC = 4.7L HO V8 MPI	DG0 = All Automatic Transm
S = Overland			ERO = All 4.0L 6 Cyl Gas	
			EVO = All 4.7l Gas	

AR = Use as required - = Non illustrated part # = New this model year

May 1, 2002

Oil Cooler and Lines 4.0L Engines Figure 007-610



ITEM	PART NUMBER	QTY	LINE	ENGINE	TRANS	DESCRIPTION
Note ake Shoe Return Spring Lower.						
ER0 = 4.0L Engine ake Shoe Return Spring Lower.						
DGK = 42RE, Auto Trans ake Shoe Return Spring Lower.						
1	52079 789AA	1			DG0	BRACKET, Transmission Oil Cooler
2	5207 9369	1		ER0	DG0	TUBE, Oil Cooler
3	4815 987AA	2		ER0	DG0	CLIP, Power Steering Hose
4	52079 782AB	1		ER0	DG0	TUBE, Oil Cooler
5	52079 631AA	1		ER0	DG0	CLAMP, Oil Cooler Tube
6	4026 139	1		ER0	DG0	HOSE, Oil Cooler
7	52079 632AA	1		ER0	DG0	CLAMP, Oil Cooler Tube
8	52028 463AB	1		ER0	DG0	VALVE, Oil Cooler Pressure
	#55116 910AA	1		ER0	DG0	Return
9	6035 503	3		ER0	DG0	NUT, .625-18
10	4799 433AB	2	T		DGQ	NUT, Transmission Case
		2	J		DGQ	

JEEP GRAND CHEROKEE (WJ)

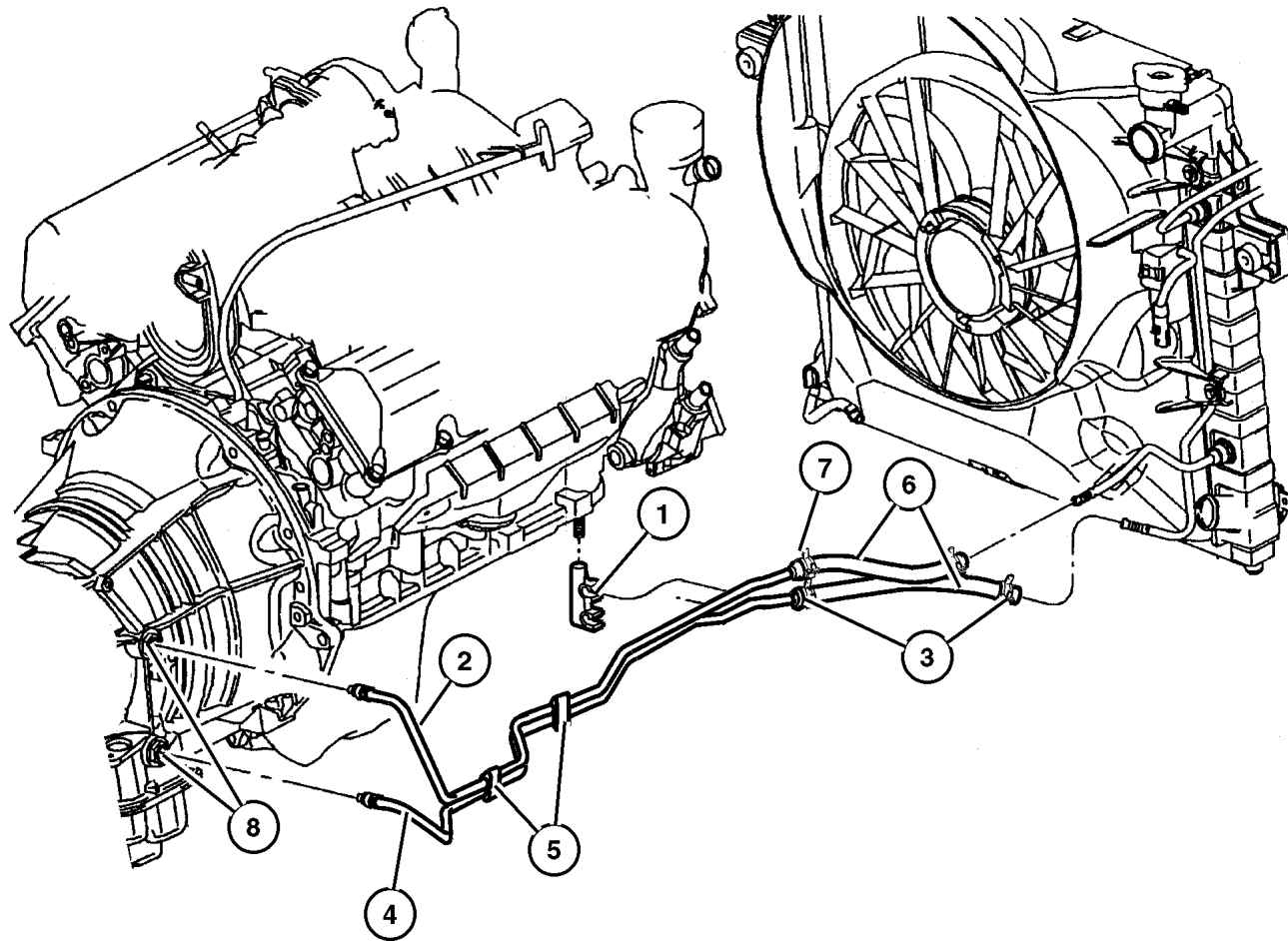
SERIES	LINE	BODY	ENGINE	TRANSMISSION
H = Laredo	J = 4WD	74 = 4 Door	ERH = 4.0L, Power Tech I-6	DGK = 4 Speed Autm, 42RE
M = Sport	T = 2WD		EVA = 4.7L, Power Tech V8	DGQ = 5 Speed Automatic, 45RFE
P = Limited			EVC = 4.7L HO V8 MPI	DG0 = All Automatic Transm
S = Overland			ERO = All 4.0L 6 Cyl Gas	
			EVO = All 4.7l Gas	

AR = Use as required - = Non illustrated part # = New this model year

May 1, 2002

**Oil Cooler and Lines 4.7L Engine
Figure 007-620**

ITEM	PART NUMBER	QTY	LINE	ENGINE	TRANS	DESCRIPTION
Note: ake Shoe Return Spring Lower.						
EVO = 4.7L Engine ake Shoe Return Spring Lower.						
DG0 = All Automatic Transmissions ake Shoe Return Spring Lower.						
1	52079 789AA	1			DG0	BRACKET, Transmission Oil Cooler
2	5207 9375	1		EVO	DG0	TUBE, Oil Cooler
3	4815 987AA	2		EVO	DG0	CLIP, Power Steering Hose
4	52079 783AA	1		EVO	DG0	TUBE, Oil Cooler
5	52079 631AA	1		EVO	DG0	CLAMP, Oil Cooler Tube
6	4026 139	1		EVO	DG0	HOSE, Oil Cooler
7	52079 631AA	1		EVO	DG0	CLAMP, Oil Cooler Tube
8						NUT, Transmission Case
	4799 433AB	2	J		DGQ	
		2	T		DGQ	



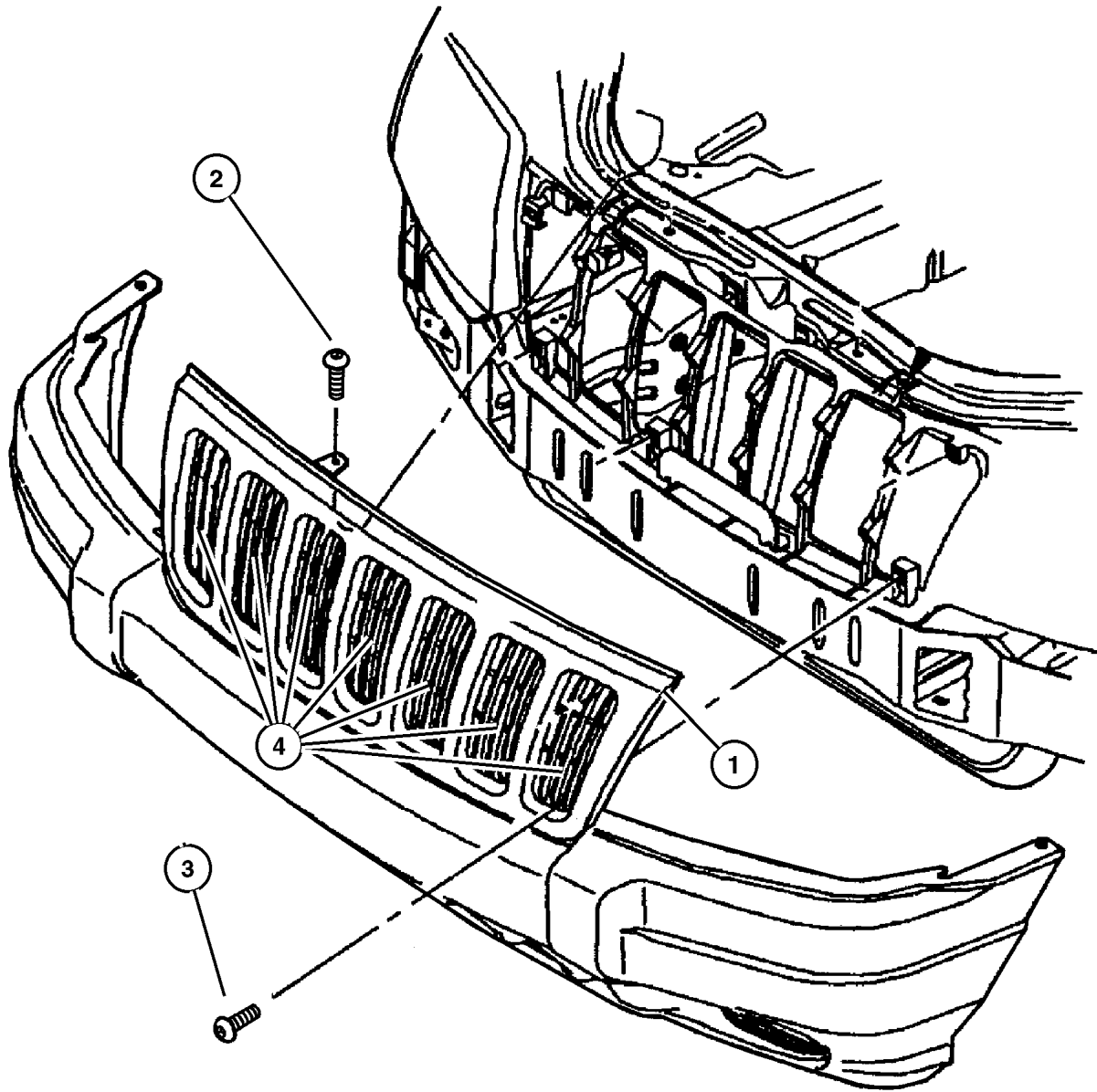
JEEP GRAND CHEROKEE (WJ)				
SERIES	LINE	BODY	ENGINE	TRANSMISSION
H = Laredo	J = 4WD	74 = 4 Door	ERH = 4.0L, Power Tech I-6	DGK = 4 Speed Autm, 42RE
M = Sport	T = 2WD		EVA = 4.7L, Power Tech V8	DGQ = 5 Speed Automatic, 45RFE
P = Limited			EVC = 4.7L HO V8 MPI	DG0 = All Automatic Transm
S = Overland			ERO = All 4.0L 6 Cyl Gas	
			EVO = All 4.7l Gas	

AR = Use as required - = Non illustrated part # = New this model year

May 1, 2002

Grille and Related Parts
Figure 007-720

ITEM	PART NUMBER	QTY	LINE	ENGINE	TRANS	DESCRIPTION
1						GRILLE, Fascia
	55155 921AA	1				Chrome
	5GL79 DX8AA	1				X8, with Chrome Rings
	5GL79 SW1AA	1				W1, with Chrome Rings
	5GL79 WBTA	1				BT, with Chrome Rings
	5GL79 XBQA	1				BQ, with Chrome Rings
	5GL79 XS5AA	1				S5, with Chrome Rings
	5GL79 YUBAA	1				UB, with Chrome Rings
	5GL79 WELAA	1				EL, with Chrome Rings
	5GL79 XRVA	1				RV, with Chrome Rings
	5GL79 YJRA	1				JR, with Chrome Rings
	5GL79 ZDRA	1				DR, with Chrome Rings
	5GL79 WSBAA	1				SB, with Chrome Rings
2	6505 813AA	2				SCREW, Hex Flange Head
3						SCREW, (NOT SERVICED)
4						GRILLE, Texture
	5FT3 5DX9	1				
	5FT3 5VF7	1				Overland



JEEP GRAND CHEROKEE (WJ)

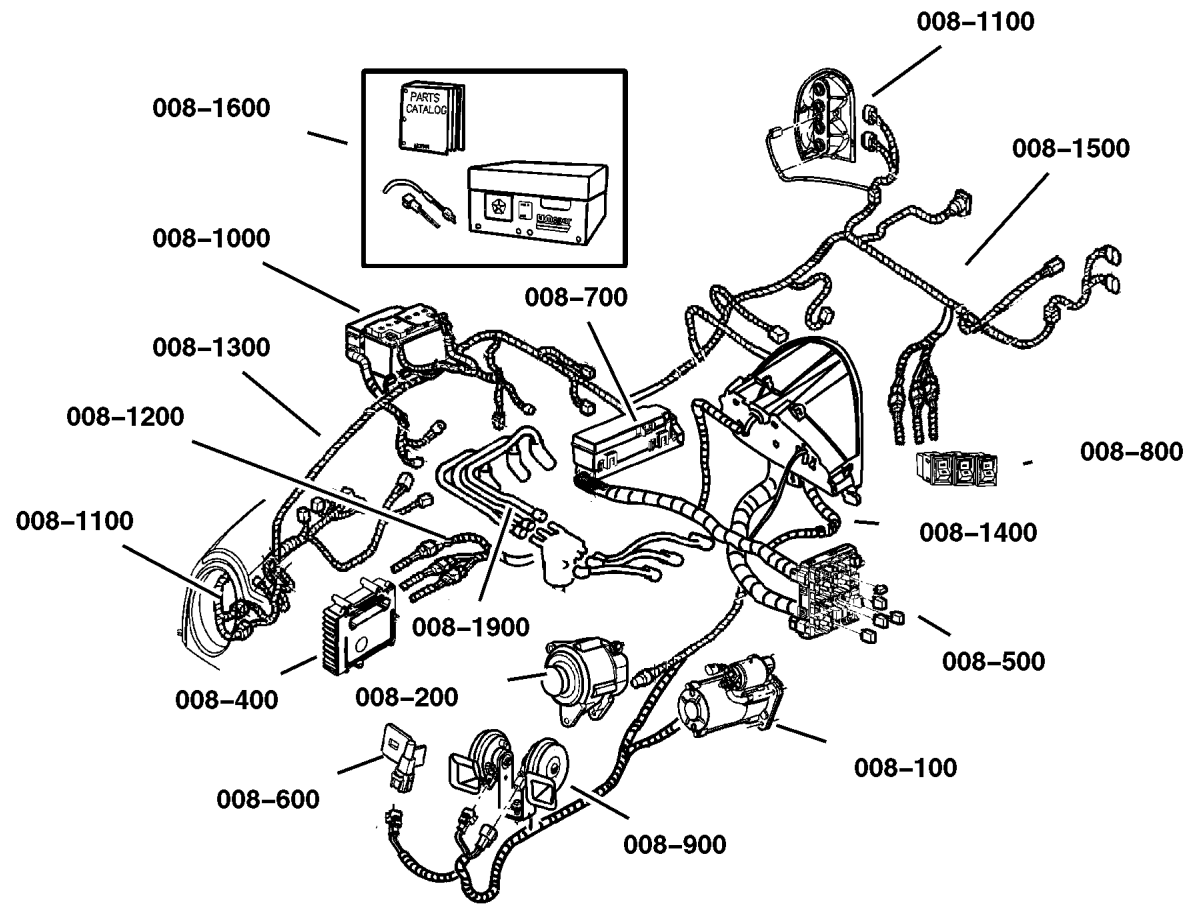
SERIES	LINE	BODY	ENGINE	TRANSMISSION
H = Laredo	J = 4WD	74 = 4 Door	ERH = 4.0L, Power Tech I-6	DGK = 4 Speed Autm, 42RE
M = Sport	T = 2WD		EVA = 4.7L, Power Tech V8	DGQ = 5 Speed Automatic, 45RFE
P = Limited			EVC = 4.7L HO V8 MPI	DG0 = All Automatic Transm
S = Overland			ERO = All 4.0L 6 Cyl Gas	
			EVO = All 4.7l Gas	

AR = Use as required - = Non illustrated part # = New this model year

May 1, 2002

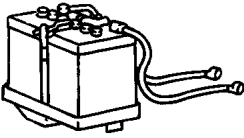
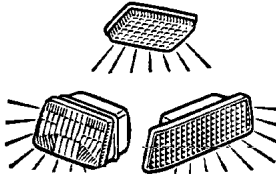
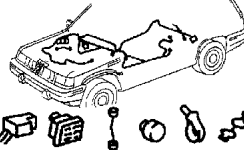


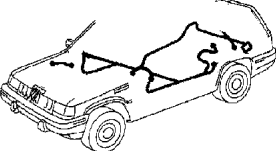
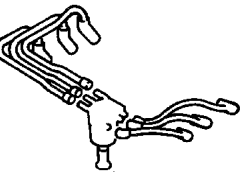
Group – 008

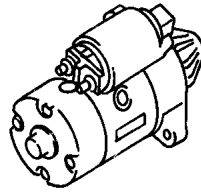
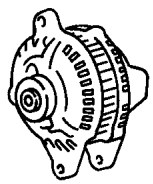
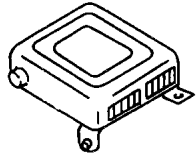
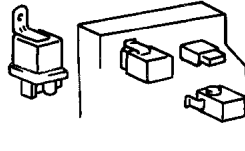
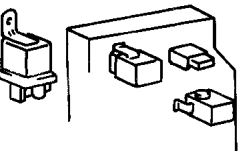
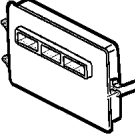
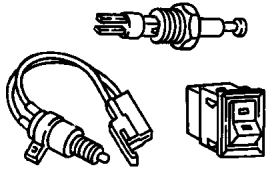
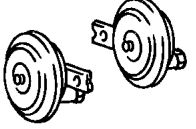
Electrical



Group – 008

Electrical

008-1000 Battery Tray and Cables 	008-1100 Lamps – Front, Rear and Courtesy 	008-1200 Wiring-Engine & Related Parts 	008-1300 Wiring-Headlamp to Dash 
008-1400 Wiring-Instrument Panel 	008-1500 Wiring-Body & Accessories 	008-1600 Wiring Repair <p style="text-align: center;">WIRING REPAIR PKG.</p>	008-1900 Spark Plugs-Cables-Coils 

008-100 Starters 	008-200 Alternators 	008-400 Modules 	008-500 Relays 
008-600 Sensors 	008-700 Single Board Engine Controllers 	008-800 Switches 	008-900 Horns 



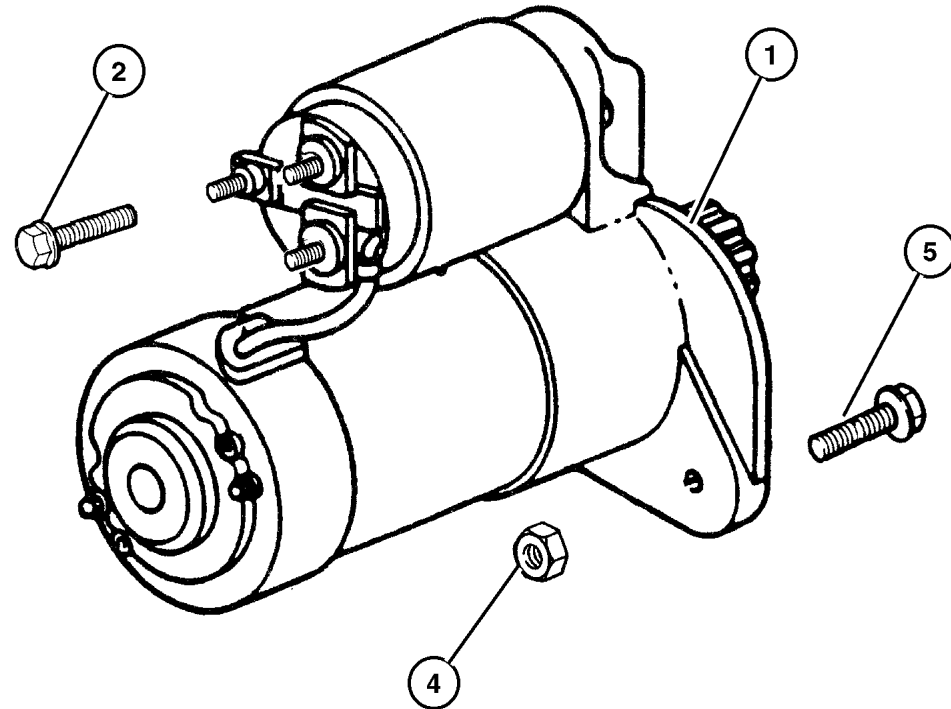
GROUP 8 - Electrical**GROUP 8 - Electrical**

Illustration Title	Group-Fig. No.
Starters	
Starters	Fig. 008-110
Alternators	
Alternator and Mounting 4.0L Engine [ER0]	Fig. 008-205
Alternator and Mounting 4.7L Engine [EV0]	Fig. 008-210
Modules	
Modules	Fig. 008-410
Relays	
Power Distribution Center, Fuses and Relays	Fig. 008-505
Junction Block, Relays, Circuit Breaker	Fig. 008-510
Sensors	
Sensors, Engine (4.0L) [ER0]	Fig. 008-605
Sensors, Engine (4.7L) [EV0]	Fig. 008-610
Sensors Drivetrain	Fig. 008-615
Sensors Body	Fig. 008-620
Single Board Engine Controllers	
JTEC Modules and Solenoids	Fig. 008-710
Switches	
Switches (Instrument Panel and Console)	Fig. 008-810
Switches, (Drive Train)	Fig. 008-820
Switches, (Body)	Fig. 008-830
Horns	
Horns	Fig. 008-910
Battery Tray and Cables	
Battery Tray & Cables	Fig. 008-1010
Lamps - Front, Rear and Courtesy	
Lamp - Front End	Fig. 008-1110
Lamp - Rear End	Fig. 008-1120
Lamp - Courtesy - Dome - Reading	Fig. 008-1130
Bulbs & Sockets	Fig. 008-1140
Wiring-Engine & Related Parts	
Wiring - Engine & Related Parts	Fig. 008-1210
Wiring-Headlamp to Dash	
Wiring - Headlamp / Dash	Fig. 008-1310
Wiring-Instrument Panel	
Wiring - Instrument Panel	Fig. 008-1410

Illustration Title	Group-Fig. No.
Wiring-Body & Accessories	
Wiring - Body & Accessories	Fig. 008-1510
Wiring Repair	
Wiring Repair Packages	Fig. 008-1605
Power Distribution Center Repair	Fig. 008-1610
Spark Plugs-Cables-Coils	
Spark Plugs - Coils	Fig. 008-1910

**Starters
Figure 008-110**

ITEM	PART NUMBER	QTY	LINE	SERIES	BODY	ENGINE	TRANS	DESCRIPTION
Notes: ake Shoe Return Spring Lower.								
[ER0]=4.0L Engine ake Shoe Return Spring Lower.								
[EV0]=4.7L Engine ake Shoe Return Spring Lower.								
[DGQ]=5 Speed Automatic Transmission ake Shoe Return Spring Lower.								
1								STARTER
	56041 012AB	1				ER0		
	56041 207AB	1				EVO		
2	J400 6192	1				ER0		BOLT AND WASHER, Hex Head, .375-16x1.75
-3	6102 084AA	2				EVO		SCREW
4								NUT, M8x1.25, (NOT SERVICED)
5	6503 699	1				ER0		SCREW AND WASHER, Hex Head, M10x1.5x28
-6	5210 4133	1					DGQ	COVER, Transmission Dust



JEEP GRAND CHEROKEE (WJ)				
SERIES	LINE	BODY	ENGINE	TRANSMISSION
H = Laredo	J = 4WD	74 = 4 Door	ERH = 4.0L, Power Tech I-6	DGK = 4 Speed Autm, 42RE
M = Sport	T = 2WD		EVA = 4.7L, Power Tech V8	DGQ = 5 Speed Automatic, 45RFE
P = Limited			EVC = 4.7L HO V8 MPI	DG0 = All Automatic Transm
S = Overland			ERO = All 4.0L 6 Cyl Gas	
			EVO = All 4.7L Gas	

AR = Use as required - = Non illustrated part # = New this model year

May 1, 2002

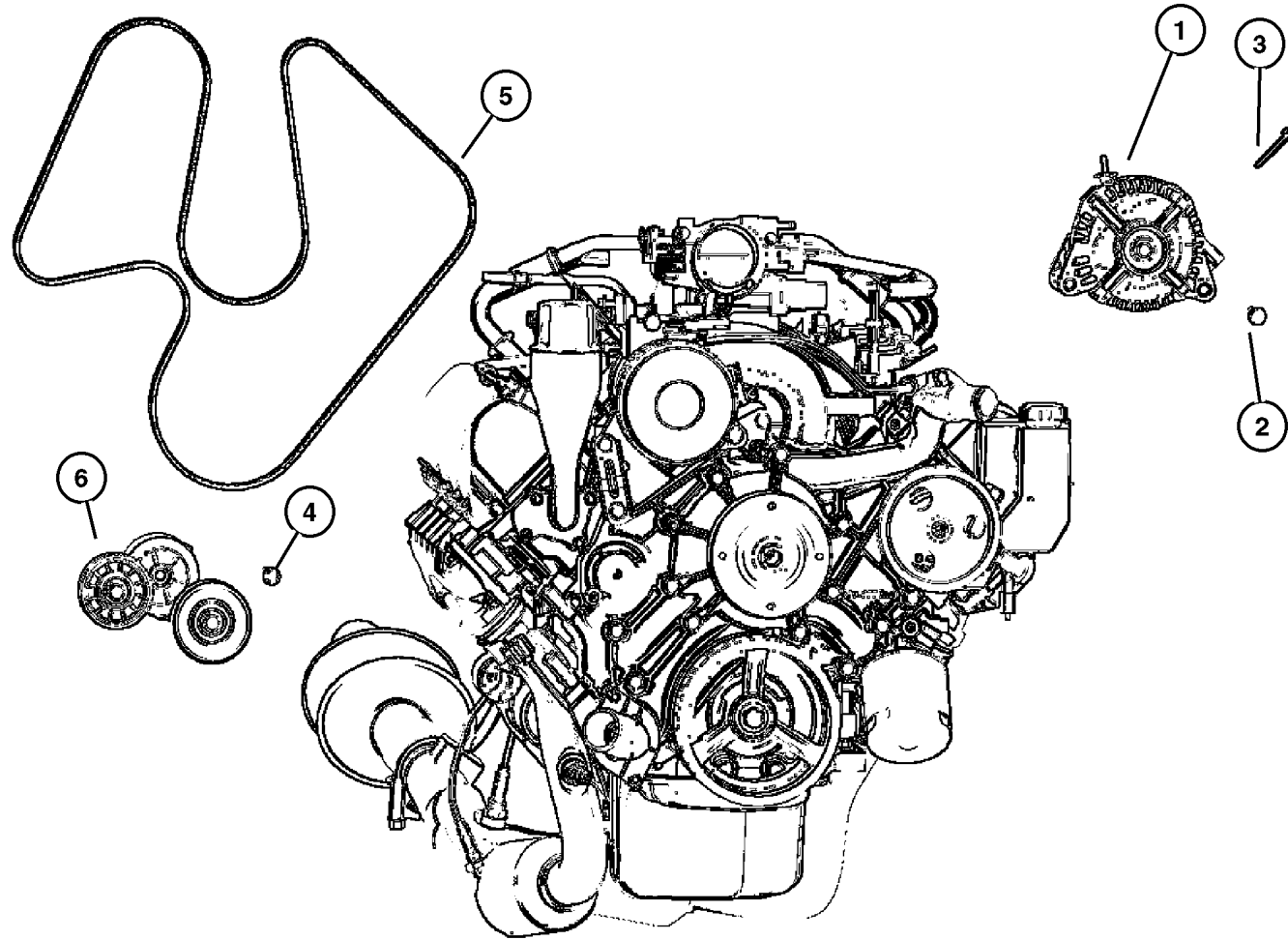
**Alternator and Mounting 4.7L Engine [EV0]
Figure 008-210**

ITEM	PART NUMBER	QTY	LINE	SERIES	BODY	ENGINE	TRANS	DESCRIPTION
------	-------------	-----	------	--------	------	--------	-------	-------------

Notes: ake Shoe Return Spring Lower.

[EV0]=4.7L Engine ake Shoe Return Spring Lower.

1	56029 700AA	1				EVO		ALTERNATOR
2	6505 488AA	1				EVO		SCREW AND WASHER, Hex
3	6505 482AA	1				EVO		SCREW AND WASHER, Hex Head, M8x1.25x50
4	6504 930AA	1				EVO		SCREW AND WASHER, Hex Head, M10x1.5x70
5	#53032 037AI	1				EVO		BELT, Accessory Drive
6	5303 0958	1				EVO		TENSIONER, Alternator Belt



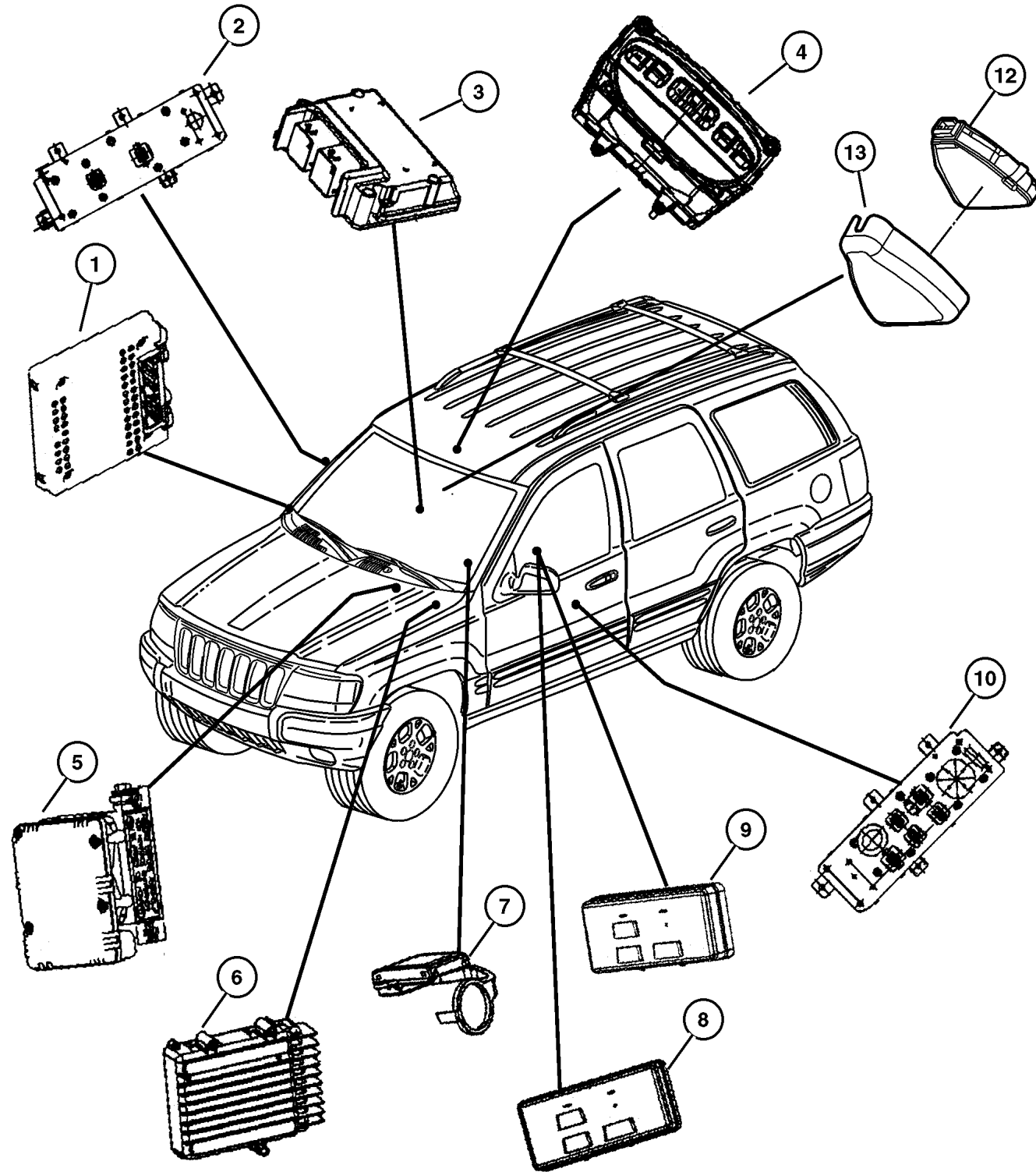
JEEP GRAND CHEROKEE (WJ)

SERIES	LINE	BODY	ENGINE	TRANSMISSION
H = Laredo	J = 4WD	74 = 4 Door	ERH = 4.0L, Power Tech I-6	DGK = 4 Speed Autm, 42RE
M = Sport	T = 2WD		EVA = 4.7L, Power Tech V8	DGQ = 5 Speed Automatic, 45RFE
P = Limited			EVC = 4.7L HO V8 MPI	DG0 = All Automatic Transm
S = Overland			ERO = All 4.0L 6 Cyl Gas	
			EVO = All 4.7I Gas	

AR = Use as required - = Non illustrated part # = New this model year

May 1, 2002

Modules
Figure 008-410



ITEM	PART NUMBER	QTY	LINE	SERIES	BODY	ENGINE	TRANS	DESCRIPTION
Notes: ake Shoe Return Spring Lower.								
[ER0]=4.0L Engine ake Shoe Return Spring Lower.								
[EV0]=4.7L Engine ake Shoe Return Spring Lower.								
[DGQ]=5 Speed Automatic Transmission ake Shoe Return Spring Lower.								
1	#5019 815AF	1						MODULE, Body Controller
2	5HB62 DX9AC	1		S				SWITCH, Door Module [DB] [DV] [L5] [T5] with Infinity Speaker System, Passenger Side
		1		P				[DB] [DV] [L5] [T5] with Six Speaker System, Passenger Side
3	#56010 485AF	1						MODULE, Occupant Restraint Without Side Airbag
	#56010 488AF	1						With Side Airbag
4	#56042 749AF	1						MODULE, Compass Temperature with Universal Garage Door Opener
	56042 754AF	1						without Universal Garage Door Opener
	#56042 756AF	1						with Universal Garage Door Opener & Tire Pressure Monitor
5	#5066 653AA	1				ER0, EVO		MODULE, Anti-lock Brakes
6	#56041 905AC	1				EVO	DGQ	MODULE, Transmission Control
7	4686 665AB	1						MODULE, Immobilizer
8	56042 304AG	1						MODULE, Seat Memory without Heated Seats
	56050 151AB	1						with Heated Seats
9	#56050 150AB	1						MODULE, Heated Seat Control
10	55196 389AB	1		H				SWITCH, Door Module
	5HB61 DX9AC	1		S				
		1		P				
-11	4595 748AA	1						LABEL, Air Bag Warning Glovebox
	4595 749AA	1						Glovebox (Canada)
	4787 437AA	2						Sun Visor (Canada)
12	#56042 759AF	1						SENSOR, Rain
13	#5HJ50 DX9AB	1						COVER, Sensor
-14	#5072 251AA	1						MODULE, Brake Pedal, Adjustable Brake Pedal
-15	5012 771AA	1						CONTROL UNIT, Sunroof

JEEP GRAND CHEROKEE (WJ)

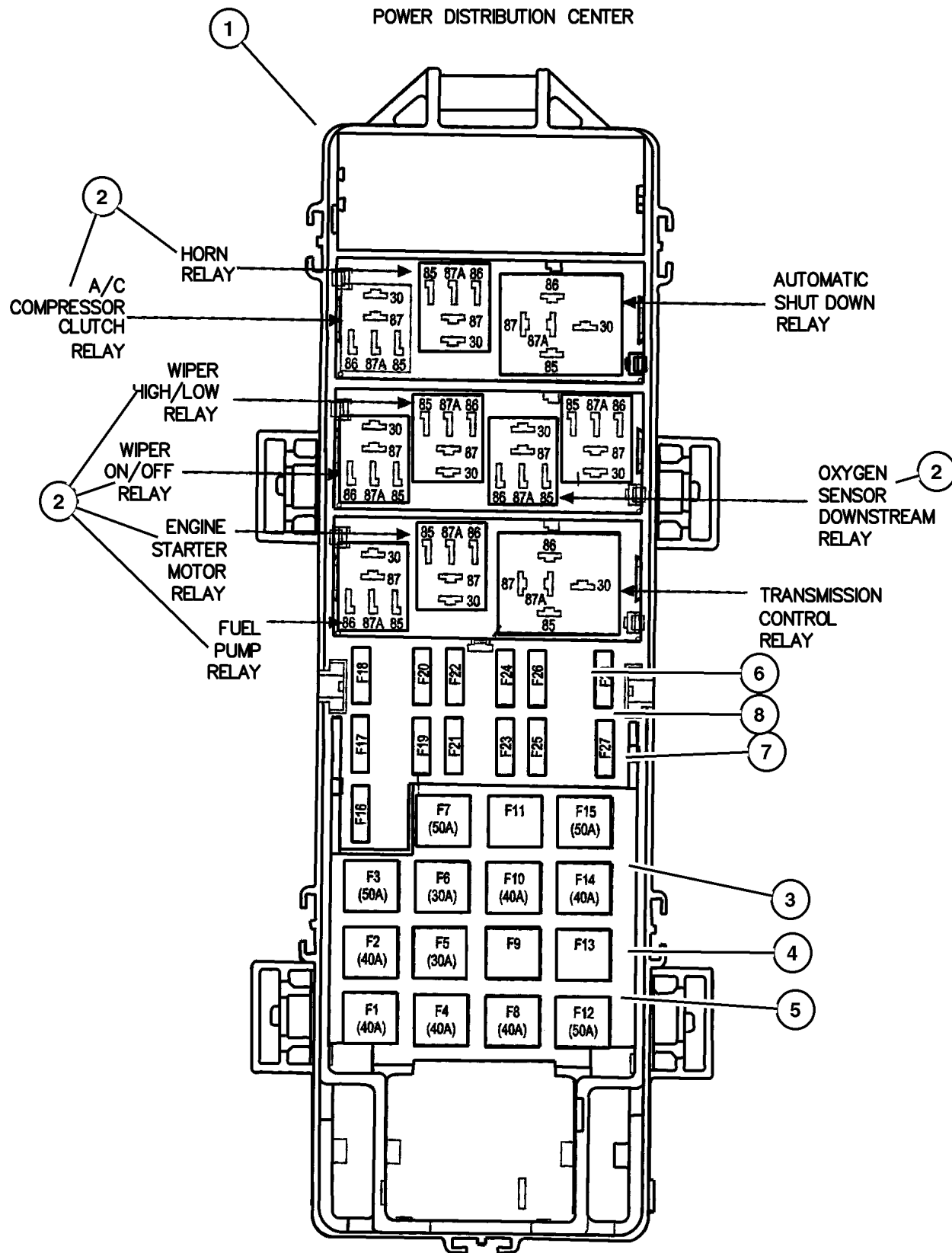
SERIES	LINE	BODY	ENGINE	TRANSMISSION
H = Laredo	J = 4WD	74 = 4 Door	ERH = 4.0L, Power Tech I-6	DGK = 4 Speed Autm, 42RE
M = Sport	T = 2WD		EVA = 4.7L, Power Tech V8	DGQ = 5 Speed Automatic, 45RFE
P = Limited			EVC = 4.7L HO V8 MPI	DG0 = All Automatic Transm
S = Overland			ERO = All 4.0L 6 Cyl Gas	
			EVO = All 4.7L Gas	

AR = Use as required - = Non illustrated part # = New this model year

May 1, 2002

Power Distribution Center, Fuses and Relays
Figure 008-505

ITEM	PART NUMBER	QTY	LINE	SERIES	BODY	ENGINE	TRANS	DESCRIPTION
1								POWER DISTRIBUTION CENTER, See Headlamp to Dash Wiring, (NOT SERVICED)
2	4671 168	AR						RELAY, Mini
3	6102 076AA	AR						FUSE CARTRIDGE, 30 Amp
4	6102 077AA	AR						FUSE CARTRIDGE, 40 Amp
5	6102 078AA	AR						FUSE CARTRIDGE, 50 Amp
6	00AT M10	1						FUSE, Mini, 10 AMP, Red
7	00AT M15	1						FUSE, Mini, 15 AMP, Light Blue
8	00AT M20	1						FUSE, Mini, 20 AMP, Yellow



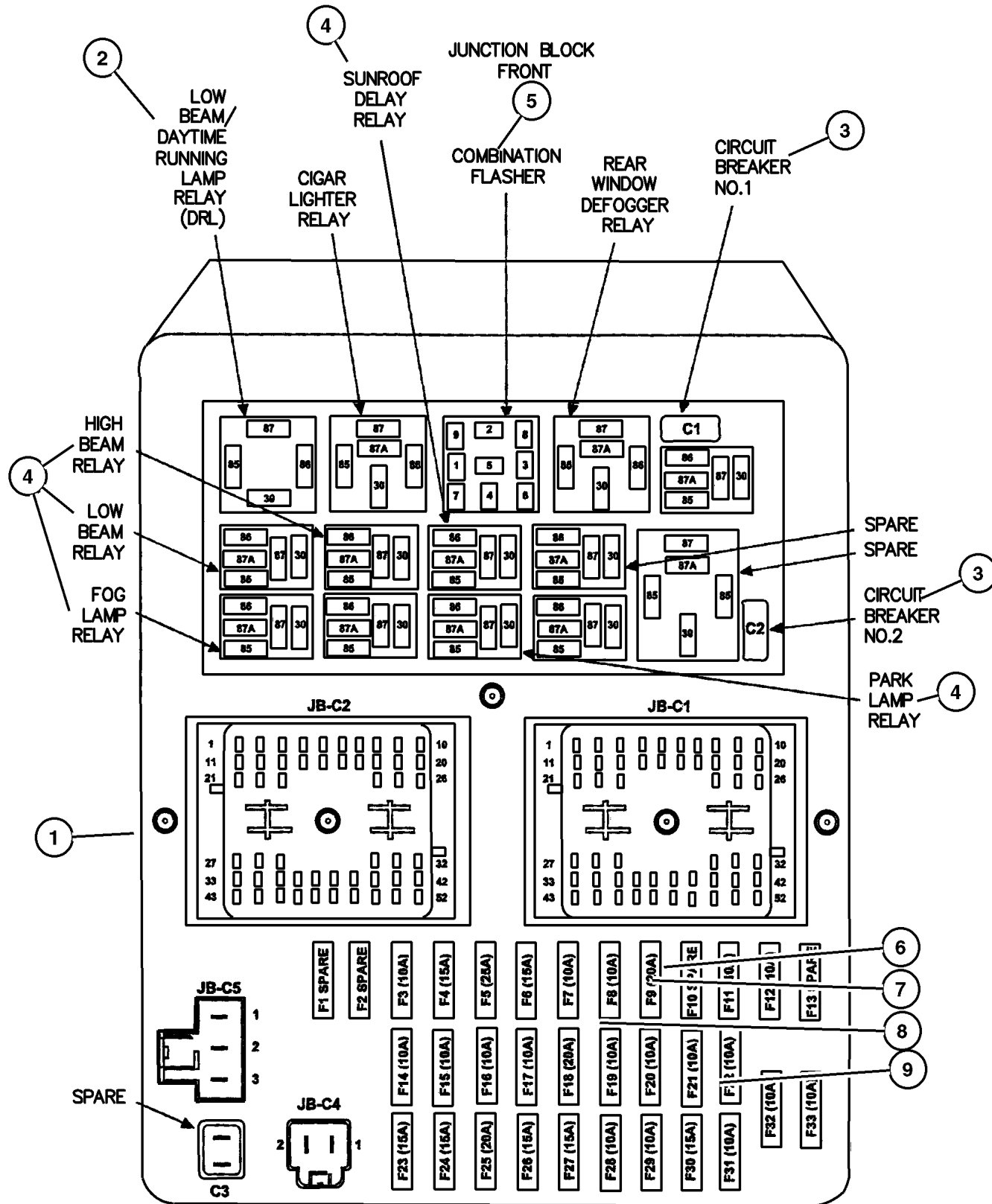
JEEP GRAND CHEROKEE (WJ)

SERIES	LINE	BODY	ENGINE	TRANSMISSION
H = Laredo	J = 4WD	74 = 4 Door	ERH = 4.0L, Power Tech I-6	DGK = 4 Speed Autm, 42RE
M = Sport	T = 2WD		EVA = 4.7L, Power Tech V8	DGQ = 5 Speed Automatic, 45RFE
P = Limited			EVC = 4.7L HO V8 MPI	DG0 = All Automatic Transm
S = Overland			ERO = All 4.0L 6 Cyl Gas	
			EVO = All 4.7I Gas	

AR = Use as required - = Non illustrated part # = New this model year

May 1, 2002

Junction Block, Relays, Circuit Breaker Figure 008-510



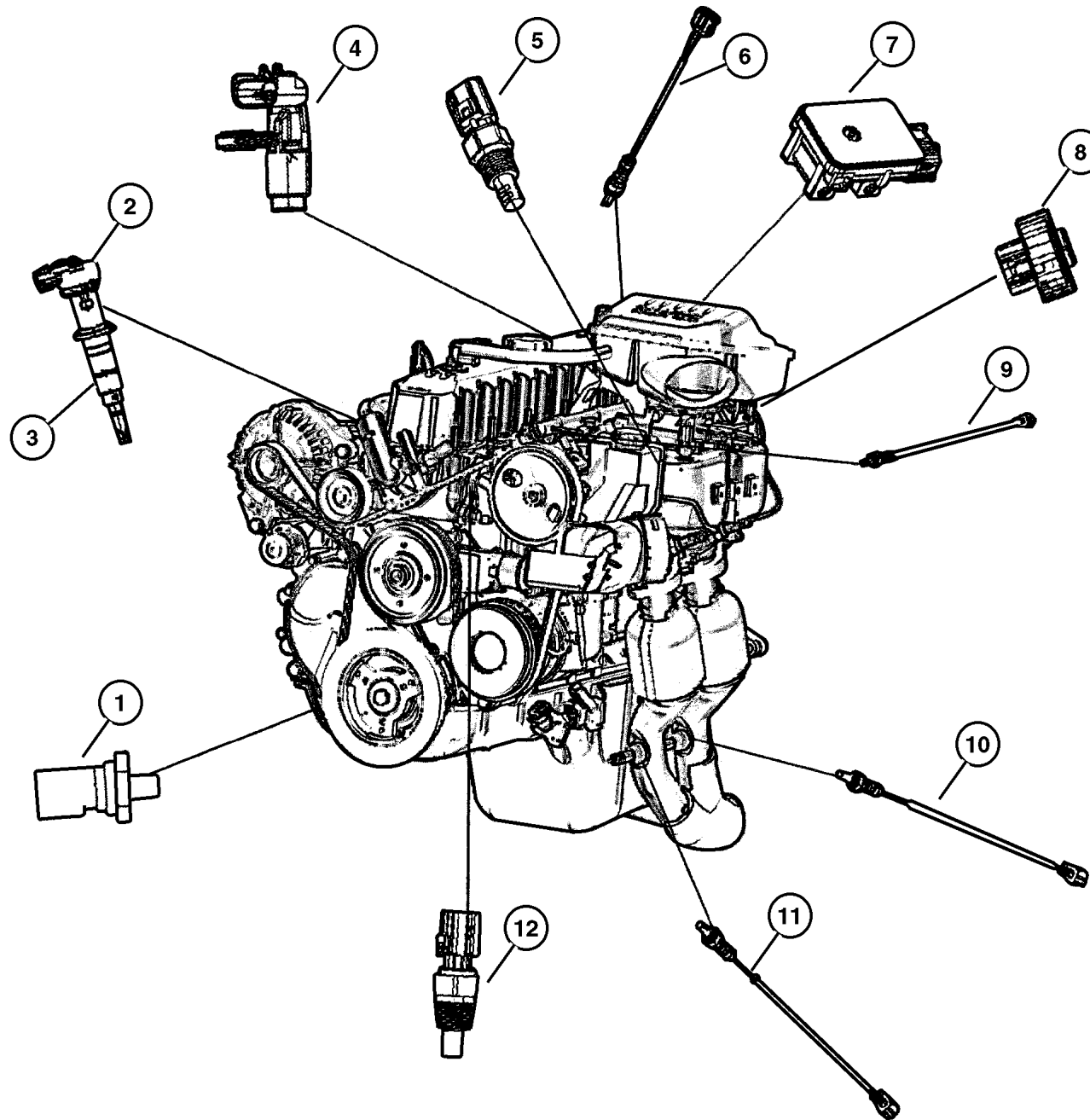
ITEM	PART NUMBER	QTY	LINE	SERIES	BODY	ENGINE	TRANS	DESCRIPTION
1	#5019 816AA	1						JUNCTION BLOCK, Relay
2	56042 216AB	1						RELAY, Daytime Running Lamp
3	4604 235	1						BREAKER, Circuit
4	56042 677AA	1						RELAY, Mini, Foglamp, Headlamp High and Low Beam, Park Lamp, Sunroof
5	4686 094	1						FLASHER
6	00AT M10	1						FUSE, Mini, 10 AMP, Red
7	00AT M15	1						FUSE, Mini, 15 AMP, Light Blue
8	00AT M20	1						FUSE, Mini, 20 AMP, Yellow
9	4687 835	1						FUSE, Mini, 25 Amp, Natural
-10	4707 286AF	1						RELAY, Radiator Fan

JEEP GRAND CHEROKEE (WJ)				
SERIES	LINE	BODY	ENGINE	TRANSMISSION
H = Laredo	J = 4WD	74 = 4 Door	ERH = 4.0L, Power Tech I-6	DGK = 4 Speed Autm, 42RE
M = Sport	T = 2WD		EVA = 4.7L, Power Tech V8	DGQ = 5 Speed Automatic, 45RFE
P = Limited			EVC = 4.7L HO V8 MPI	DG0 = All Automatic Transm
S = Overland			ERO = All 4.0L 6 Cyl Gas	
			EVO = All 4.7L Gas	

AR = Use as required - = Non illustrated part # = New this model year

May 1, 2002

Sensors, Engine (4.0L) [ER0]
Figure 008-605



ITEM	PART NUMBER	QTY	LINE	SERIES	BODY	ENGINE	TRANS	DESCRIPTION
1	#56028 807AB	1				ER0		SENDING UNIT, Oil Pressure
2	4897 023AA	1				ER0		SENSOR, Camshaft, Sensor Only
3	#53010 615AA	1				ER0		DRIVE, OIL PUMP, Oil Pump Drive Only
4	4897 321AA	1				ER0	DG0	SENSOR PACKAGE, Crankshaft Position
5	5602 7872	1				ER0		SENSOR, Air Temperature
6	56031 110AA	1				ER0		SENSOR, Oxygen, Upstream Rear of Exhaust Manifold
7	5602 9405	1				ER0		SENSOR, Map
8	#5086 203AA	1				ER0		SENSOR PACKAGE, Throttle Position
9	56030 100AA	1				ER0		SENSOR, Oxygen, Upstream Front of Exhaust Manifold
10	56041 848AA	1				ER0		SENSOR, Oxygen, Down Stream Rear
11	56041 845AA	1				ER0		SENSOR, Oxygen, Down Stream Front
12	5602 7873	1				ER0		SENSOR, Coolant Temperature

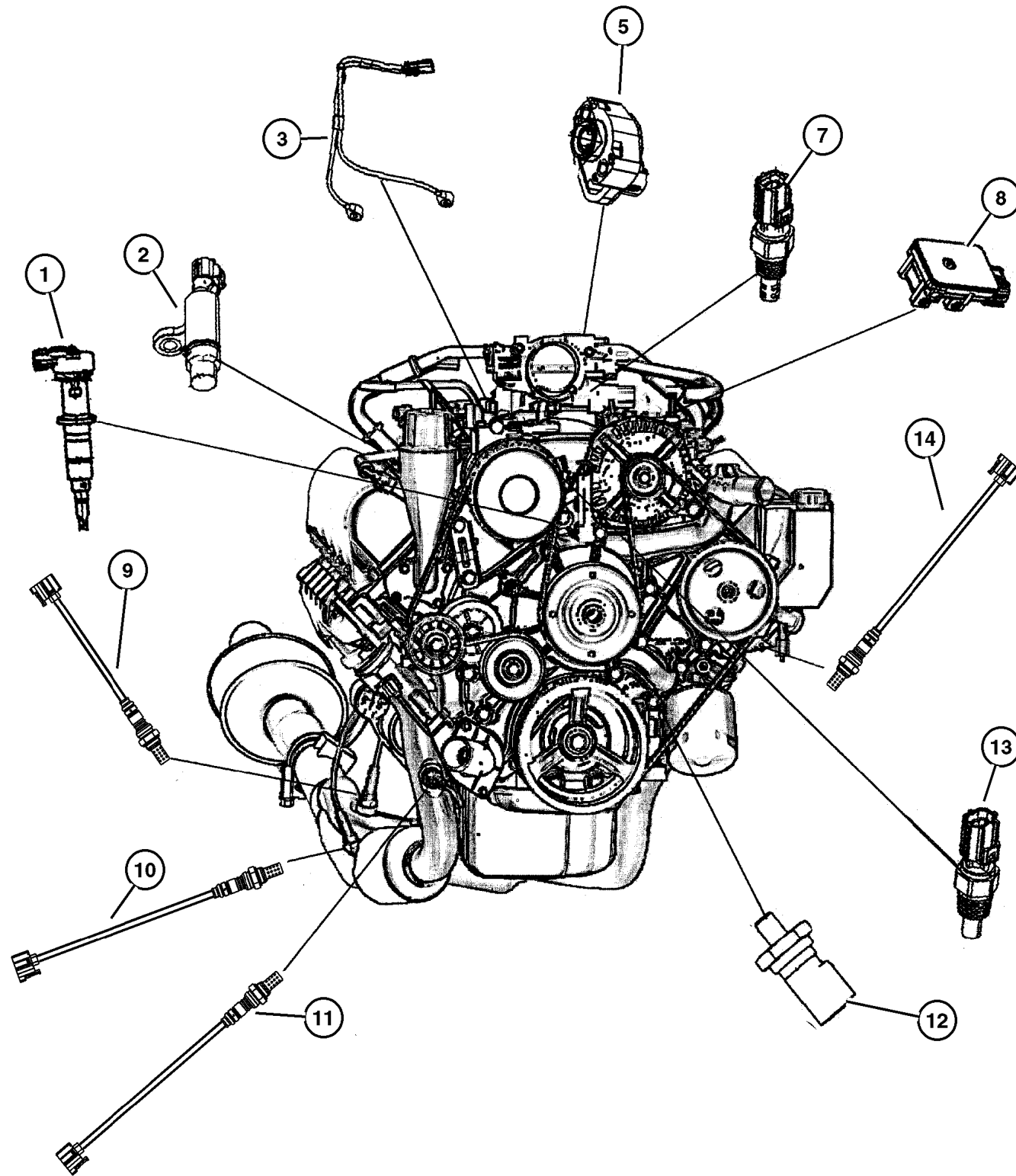
Notes: ake Shoe Return Spring Lower.
[ER0]=All 4.0L Engine ake Shoe Return Spring Lower.
[DG0]=All Automatic Transmissions ake Shoe Return Spring Lower.

JEEP GRAND CHEROKEE (WJ)				
SERIES	LINE	BODY	ENGINE	TRANSMISSION
H = Laredo	J = 4WD	74 = 4 Door	ERH = 4.0L, Power Tech I-6	DGK = 4 Speed Autm, 42RE
M = Sport	T = 2WD		EVA = 4.7L, Power Tech V8	DGQ = 5 Speed Automatic, 45RFE
P = Limited			EVC = 4.7L HO V8 MPI	DG0 = All Automatic Transm
S = Overland			ERO = All 4.0L 6 Cyl Gas	
			EVO = All 4.7L Gas	

AR = Use as required - = Non illustrated part # = New this model year

May 1, 2002

Sensors, Engine (4.7L) [EV0]
Figure 008-610

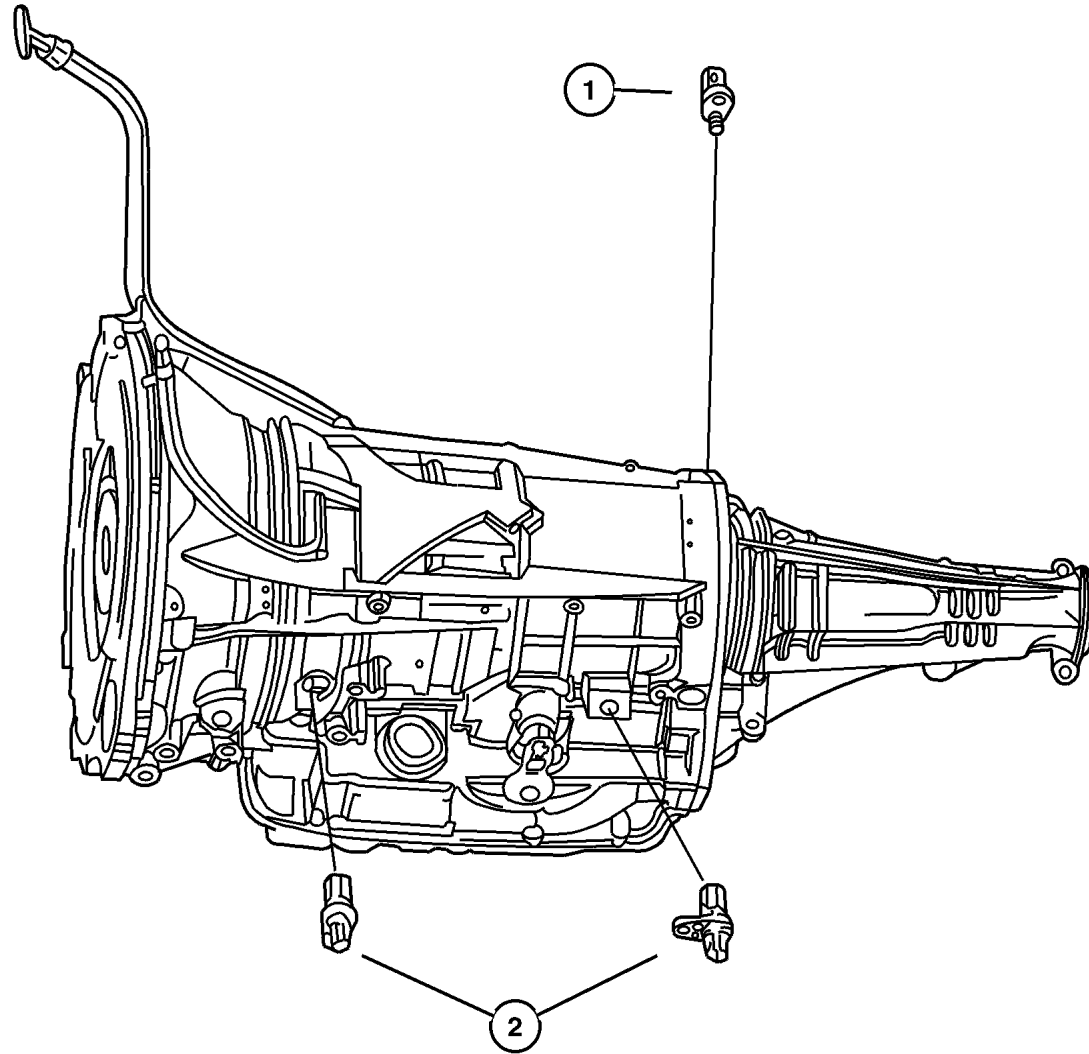


ITEM	PART NUMBER	QTY	LINE	SERIES	BODY	ENGINE	TRANS	DESCRIPTION
Notes: ake Shoe Return Spring Lower.								
[EV0]=4.7L Engine ake Shoe Return Spring Lower.								
[EVC]=4.7L Power Tech H V8 Engine ake Shoe Return Spring Lower.								
1	56028 133AE	1				EVO		SENSOR, Camshaft
2	#56028 666AA	1				EVO		SENSOR, Crankshaft Position
3	#56041 677AB	1				EVC		SENSOR, Knock
-4	56041 849AA	1				EVC		BRACKET, Knock Sensor
5	5017 479AA	1				EVO		SENSOR KIT, Throttle Position
-6	4778 462	2				EVO		SCREW, Throttle Position Sensor
7	56028 364AA	1				EVO		SENSOR, Air Temperature
8	56041 018AB	1				EVO		SENSOR, Map
9	56041 731AA	1				EVO		SENSOR, Oxygen
10	56029 333AA	1				EVO		SENSOR, Oxygen
11	56041 345AE	1				EVO		SENSOR, Oxygen
12	#56028 807AB	1				EVO		SENDING UNIT, Oil Pressure
13	5602 7873	1				EVO		SENSOR, Coolant Temperature
14	56041 941AA	1				EVO		SENSOR, Oxygen
-15								BRACKET, Oxygen Sensor
	56041 434AA	1				EVO		Front
	56041 478AB	1				EVO		

JEEP GRAND CHEROKEE (WJ)				
SERIES	LINE	BODY	ENGINE	TRANSMISSION
H = Laredo	J = 4WD	74 = 4 Door	ERH = 4.0L, Power Tech I-6	DGK = 4 Speed Autm, 42RE
M = Sport	T = 2WD		EVA = 4.7L, Power Tech V8	DGQ = 5 Speed Automatic, 45RFE
P = Limited			EVC = 4.7L HO V8 MPI	DG0 = All Automatic Transm
S = Overland			ERO = All 4.0L 6 Cyl Gas	
			EVO = All 4.7I Gas	

AR = Use as required - = Non illustrated part # = New this model year

Sensors Drivetrain Figure 008-615



ITEM	PART NUMBER	QTY	LINE	SERIES	BODY	ENGINE	TRANS	DESCRIPTION
------	-------------	-----	------	--------	------	--------	-------	-------------

Notes: ake Shoe Return Spring Lower.

[DGK]=4 Speed Automatic Transmission ake Shoe Return Spring Lower.

[DGQ]=5 Speed Automatic Transmission ake Shoe Return Spring Lower.

1								TRANSDUCER, Pressure Sensor
	4799 758	1	T				DGQ	
		1	J				DGQ	
	56028 196AB	1	T				DGK	
		1	J				DGK	
2								SENSOR, Transmission Output Speed
	4412 879	1	T				DGK	
		1	J				DGK	
	4799 061	2	T				DGQ	
		2	J				DGQ	
-3								SWITCH, Transfer Case, 5 Position
	#5083 138AA	1	J			EVO		
		1	J			ERO		

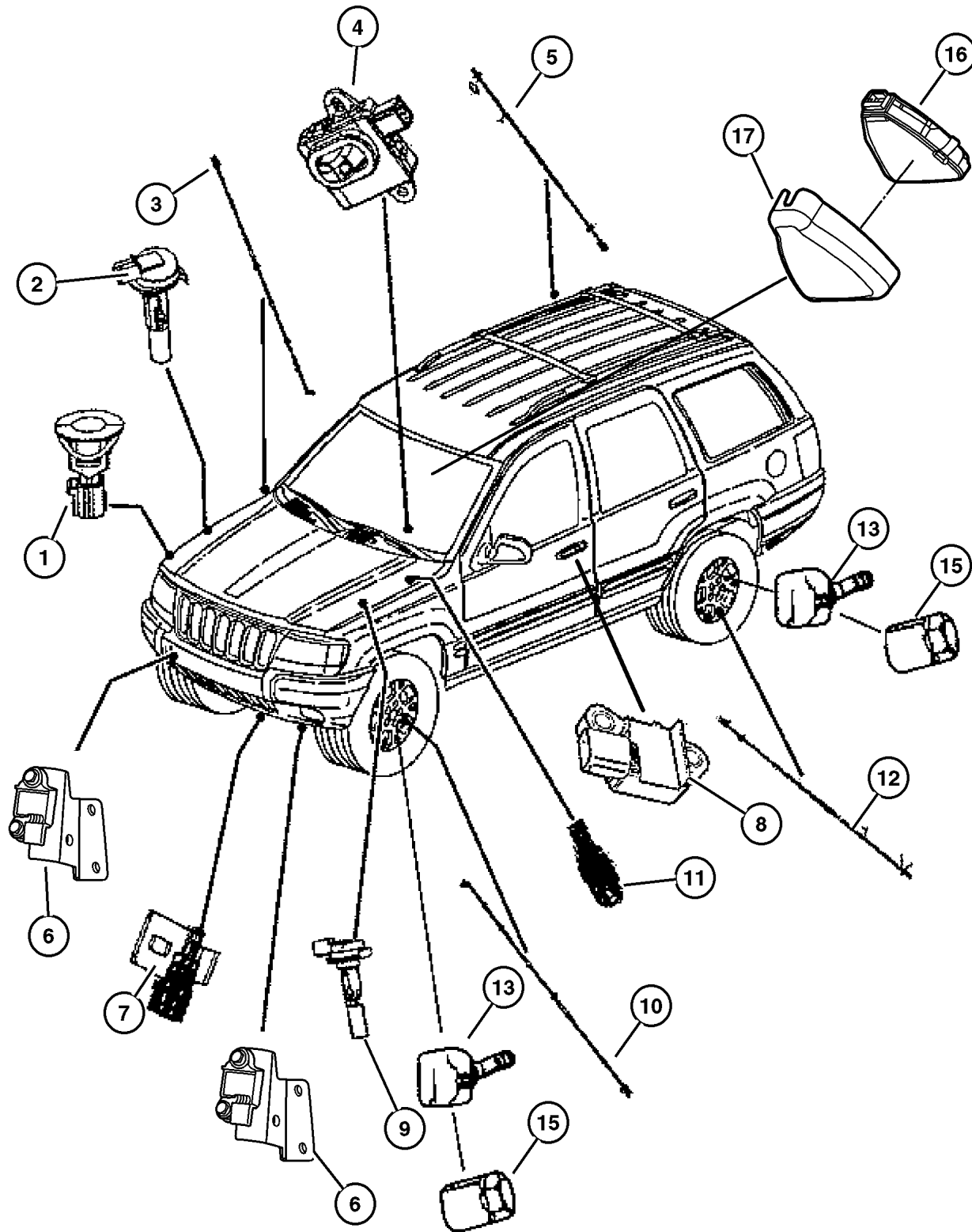
JEEP GRAND CHEROKEE (WJ)

SERIES	LINE	BODY	ENGINE	TRANSMISSION
H = Laredo	J = 4WD	74 = 4 Door	ERH = 4.0L, Power Tech I-6	DGK = 4 Speed Autm, 42RE
M = Sport	T = 2WD		EVA = 4.7L, Power Tech V8	DGQ = 5 Speed Automatic, 45RFE
P = Limited			EVC = 4.7L HO V8 MPI	DG0 = All Automatic Transm
S = Overland			ERO = All 4.0L 6 Cyl Gas	
			EVO = All 4.7l Gas	

AR = Use as required - = Non illustrated part # = New this model year

May 1, 2002

Sensors Body
Figure 008-620



ITEM	PART NUMBER	QTY	LINE	SERIES	BODY	ENGINE	TRANS	DESCRIPTION
Notes: ake Shoe Return Spring Lower.								
[ER0] = 4.0L Engine ake Shoe Return Spring Lower.								
[EVO] =4.7L Engine ake Shoe Return Spring Lower.								
1	5604 1053	1						SENSOR, Battery Temperature
2								SENSOR, Coolant Level
	5207 9468	1				EVO		
		1				ERO		
3								SENSOR, Wheel Speed
	56041 316AB	1	T					
		1	J					
4	56042 584AA	1						SENSOR, Headlamp
5	56041 308AA	1						SENSOR, Wheel Speed
6								SENSOR, Air Bag
	#56010 410AC	1						Bracket Serviced with Sensor Only, Right
	#56010 411AC	1						Bracket Serviced with Sensor Only, Left
7								SENSOR, Ambient Temperature
	5604 2395	1		P				
		1		H				
		1		S				
8	#56010 319AA	1						SENSOR, Air Bag
9	4882 797	1						SENSOR, Washer Fluid Level
10	56041 317AB	1	J					SENSOR, Wheel Speed
11	5013 903AA	1						SENSOR, Brake Fluid Level
12	56041 509AA	1						SENSOR, Wheel Speed
13	#52088 990AC	5						SENSOR, Tire Pressure, valve stem
-14	#52109 664AA	1						MAGNET, Tire Pressure Sensor Locator
15	#52088 961AA	5						NUT
16	#56042 759AF	1						SENSOR, Rain
17	#5HJ50 DX9AB	1						COVER, Sensor
-18	#56042 761AA	1						BRACKET, Windshield, Rain Sensor Mounting

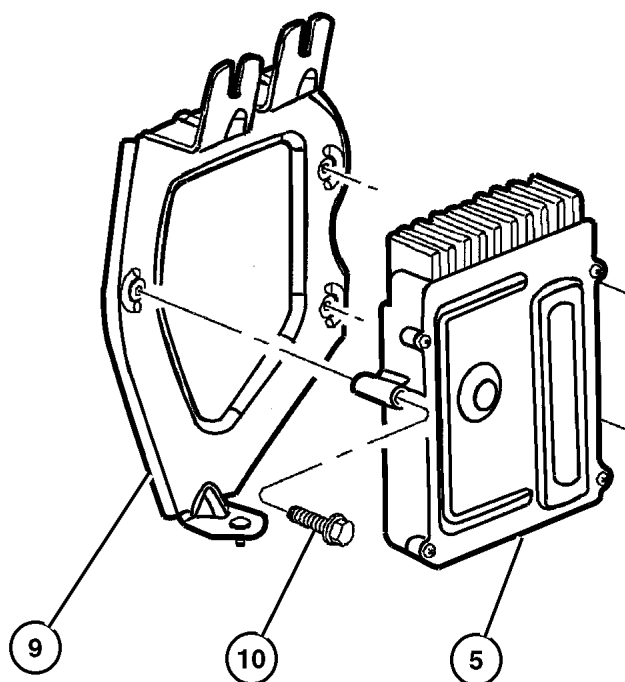
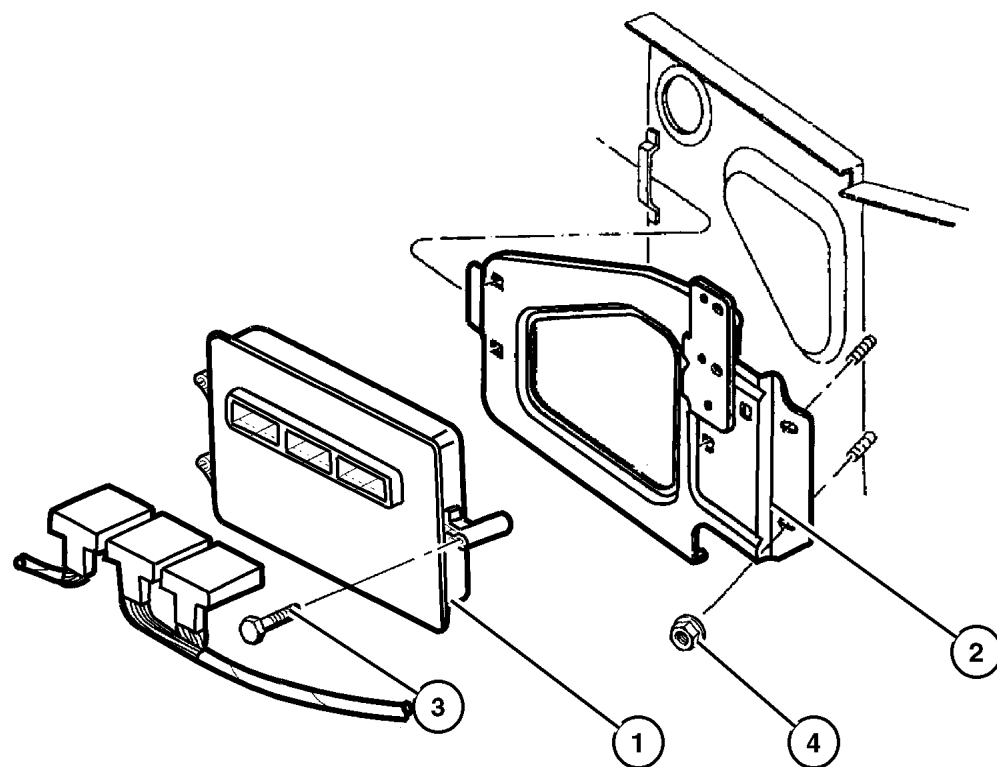
JEEP GRAND CHEROKEE (WJ)

SERIES	LINE	BODY	ENGINE	TRANSMISSION
H = Laredo	J = 4WD	74 = 4 Door	ERH = 4.0L, Power Tech I-6	DGK = 4 Speed Autm, 42RE
M = Sport	T = 2WD		EVA = 4.7L, Power Tech V8	DGQ = 5 Speed Automatic, 45RFE
P = Limited			EVC = 4.7L HO V8 MPI	DG0 = All Automatic Transm
S = Overland			ERO = All 4.0L 6 Cyl Gas	
			EVO = All 4.7L Gas	

AR = Use as required - = Non illustrated part # = New this model year

May 1, 2002

JTEC Modules and Solenoids
Figure 008-710



ITEM	PART NUMBER	QTY	LINE	SERIES	BODY	ENGINE	TRANS	DESCRIPTION
Notes: ake Shoe Return Spring Lower.								
[ER0]=4.0L Engine ake Shoe Return Spring Lower.								
[EVA]=4.7L Power Tech Engine ake Shoe Return Spring Lower.								
[EVC]=4.7L Power Tech HO V-8 ake Shoe Return Spring Lower.								
[EVO]=4.7L Engine ake Shoe Return Spring Lower.								
[DG0]=Automatic Transmission ake Shoe Return Spring Lower.								
[DGQ]= Automatic Transmission 5 Speed Automatic ake Shoe Return Spring Lower.								
[DGK]=Automatic Transmission 4 Speed ake Shoe Return Spring Lower.								
1								MODULE, Powertrain Control
	#56041 833AE	1				ER0	DG0	Federal Emission (Low Emission Vehicle) Up to 10/23/01
	#56041 835AE	1				ER0	DG0	California Emissions (Ultra Low Emission Vehicle)
	#56044 810AB	1				EVA	DG0	U.S. 50 State Emissions (Low Emission Vehicle)
	#56044 811AB	1				EVC	DG0	U.S. 50 State Emissions (Low Emission Vehicle)
	#56044 357AA	1				ER0	DG0	U.S. 50 State Emissions (Low Emission Vehicle) After 10/23/01
2	56028 139AB	1				ER0, EVO	DG0	BRACKET, Control Unit
3	6035 884	3				ER0, EVO	DG0	SCREW
		3					DGQ	
4	6503 102	2						NUT AND WASHER, Hex Nut-Coned Washer, M6 x 1.00
5	#56041 905AC	1				EVO	DGQ	MODULE, Transmission Control
-6	4799 934AD	1	T				DGQ	SOLENOID, Transmission
		1	J				DGQ	
-7	4617 210	1	T				DGK	SOLENOID, Transmission Governor
-8	52118 500AB	1	T				DGK	SOLENOID, Transmission Overdrive
9	5604 1045	1					DGQ	BRACKET, Control Unit
10	6035 884	3				ER0, EVO	DG0	SCREW
		3					DGQ	
-11	6503 825	3						NUT AND WASHER, Hex Nut-Coned Washer, M6 x 1.00

JEEP GRAND CHEROKEE (WJ)

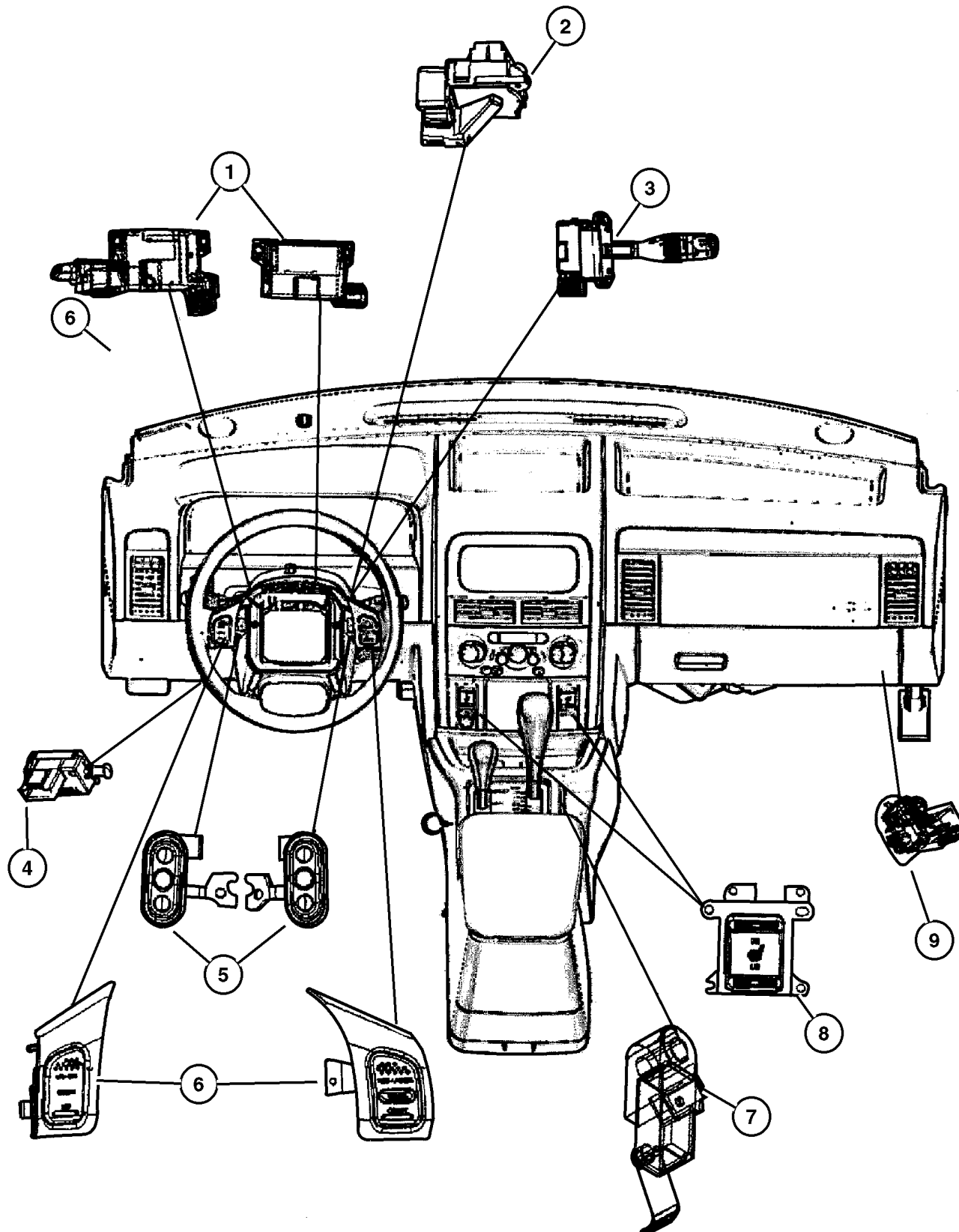
SERIES	LINE	BODY	ENGINE	TRANSMISSION
H = Laredo	J = 4WD	74 = 4 Door	ERH = 4.0L, Power Tech I-6	DGK = 4 Speed Autm, 42RE
M = Sport	T = 2WD		EVA = 4.7L, Power Tech V8	DGQ = 5 Speed Automatic, 45RFE
P = Limited			EVC = 4.7L HO V8 MPI	DG0 = All Automatic Transm
S = Overland			ERO = All 4.0L 6 Cyl Gas	
			EVO = All 4.7L Gas	

AR = Use as required - = Non illustrated part # = New this model year

May 1, 2002

Switches (Instrument Panel and Console)
Figure 008-810

ITEM	PART NUMBER	QTY	LINE	SERIES	BODY	ENGINE	TRANS	DESCRIPTION
1	56042 299AG	1						SWITCH, Multifunction, Left Side Without Fog Lamps & without Automatic Headlamps
	56042 300AG	1						With Fog Lamps & without Automatic Headlamps
	56042 302AG	1						With Fog Lamps & with Automatic Headlamps
	56042 301AG	1						Without Fog Lamps & with Automatic Headlamps
	56042 299AG	1						Without Fog Lamps, Rain Sensitive Windshield Wipers & without Automatic Headlamps
	56042 302AG	1						With Fog Lamps, Rain Sensitive Windshield Wipers & with Automatic Headlamps
2	56042 476AC	1						SWITCH, Ignition
3								SWITCH, Wiper and Washer
4	#56042 769AA	1						with Fog Lamps
	#56050 003AB	1						
4	4671 336	1						SWITCH, Stop Lamp
5								SWITCH, Remote Radio
	56042 312AB	1						Right
6	56042 313AB	1						Left
	56042 310AC	1						SWITCH, Speed Control Right
6	56042 311AC	1						Left
	5GY38 1DVAA	1						with Leather Wrapped Wheel, Right
	5GY39 1DVAA	1						with Leather Wrapped Wheel, Left
7	5212 7960	1						SWITCH, Parking Brake
8								SWITCH, Heated Seat
	56033 017AB	1						Right
8	56033 019AB	1						Left
	4565 022	1						SWITCH AND LAMP, Glove Box
-10								SWITCH, Adjustable Pedals
	#5HU33 1DVAB	1						[DB]
		1						[DV]
	#5HU33 1L8AB	1						[L5]
	#5HU33 1TMAB	1						[T5]



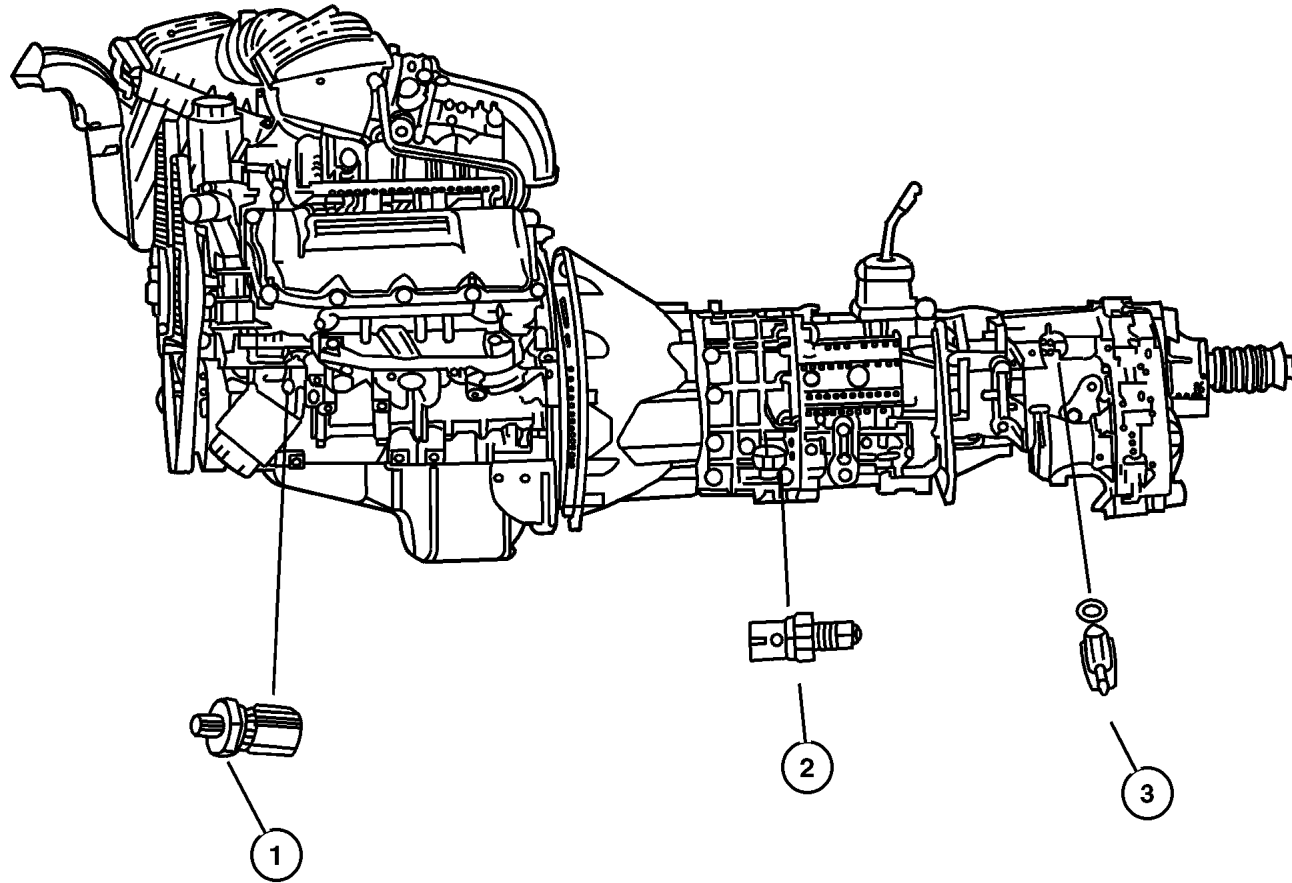
JEEP GRAND CHEROKEE (WJ)

SERIES	LINE	BODY	ENGINE	TRANSMISSION
H = Laredo	J = 4WD	74 = 4 Door	ERH = 4.0L, Power Tech I-6	DGK = 4 Speed Autm, 42RE
M = Sport	T = 2WD		EVA = 4.7L, Power Tech V8	DGQ = 5 Speed Automatic, 45RFE
P = Limited			EVC = 4.7L HO V8 MPI	DG0 = All Automatic Transm
S = Overland			ERO = All 4.0L 6 Cyl Gas	
			EVO = All 4.7l Gas	

AR = Use as required - = Non illustrated part # = New this model year

May 1, 2002

**Switches, (Drive Train)
Figure 008-820**



ITEM	PART NUMBER	QTY	LINE	SERIES	BODY	ENGINE	TRANS	DESCRIPTION
Notes: ake Shoe Return Spring Lower.								
[ER0] = 4.7L Engine ake Shoe Return Spring Lower.								
[EV0] = 4.7L Engine ake Shoe Return Spring Lower.								
[DGK] =4 Speed Automatic Transmission ake Shoe Return Spring Lower.								
1								SENDING UNIT, Oil Pressure
	#56028 807AB	1				ER0		
		1				EV0		
2								SWITCH, Neutral, Safety, Back Up
	3747 361	1	T				DGK	
		1	J				DGK	
3								SWITCH KIT, Transfer Case, 5 Position
	#5072 435AA	1	J			EV0		
		1	J			ER0		

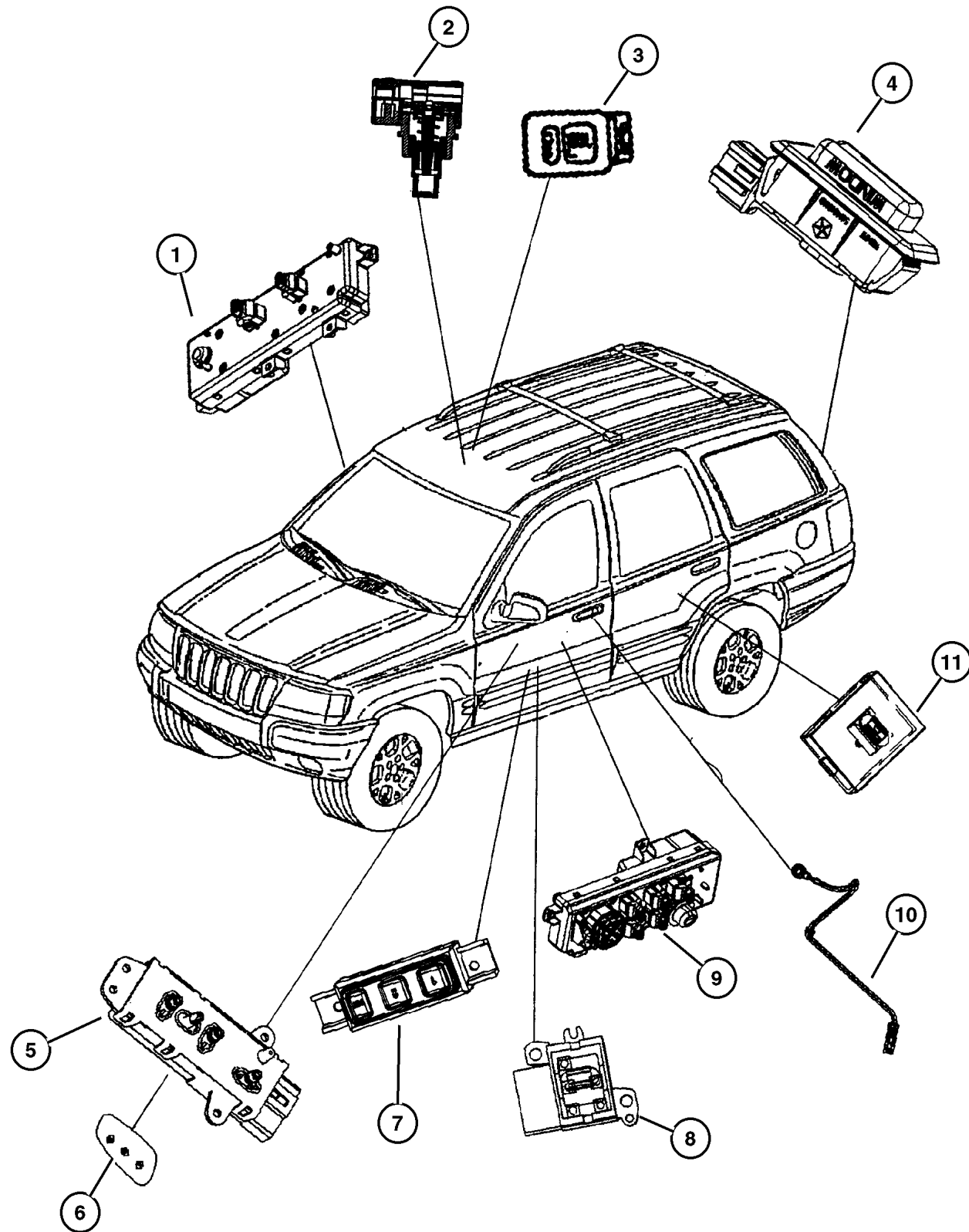
JEEP GRAND CHEROKEE (WJ)

SERIES	LINE	BODY	ENGINE	TRANSMISSION
H = Laredo	J = 4WD	74 = 4 Door	ERH = 4.0L, Power Tech I-6	DGK = 4 Speed Autm, 42RE
M = Sport	T = 2WD		EVA = 4.7L, Power Tech V8	DGQ = 5 Speed Automatic, 45RFE
P = Limited			EVC = 4.7L HO V8 MPI	DG0 = All Automatic Transm
S = Overland			ERO = All 4.0L 6 Cyl Gas	
			EVO = All 4.7l Gas	

AR = Use as required - = Non illustrated part # = New this model year

May 1, 2002

Switches, (Body)
Figure 008-830



ITEM	PART NUMBER	QTY	LINE	SERIES	BODY	ENGINE	TRANS	DESCRIPTION
1	5HB62 DX9AC	1		S				SWITCH, Door Module
		1		P				
		1		H				
2	4685 445	1						SWITCH, Reading Lamp
3	5604 2064	1						SWITCH, 1 Gang, Sunroof
4	56042 450AB	1		P				SWITCH, Flipper Window
		1		H				
		1		S				
5	4601 756AB	1						SWITCH, Seat 10 Way, Right
	4601 757AB	1						10 Way, Left
	4373 666	2						6 Way
6	4607 042AB	1						KNOB, Power Seat Switch Without graphics, Right
	4607 042	1						Right
	4607 043AB	1						Left
	4607 044	1						Recliner, Right
	4607 044AB	1						Recliner Without graphics, Right
	4607 045AB	1						Recliner Without graphics, Left
7	56042 291AB	1		P				SWITCH, Memory Selector
		1		S				
8	5604 2387	2						SWITCH, Lumbar Control
9	5HB61 DX9AC	1		S				SWITCH, Door Module
		1		P				
		1		H				
10	55136 557AA	1						SWITCH, Security Alarm
11	5HB57 DX9AA	1		P				SWITCH, Power Window Rear Door
		1		H				Rear Door
		1		S				Rear Door
-12	#5HU33 1DVAB	1						SWITCH, Adjustable Pedals [DB]
		1						[DV]
	#5HU33 1L8AB	1						[L5]
	#5HU33 1TMAB	1						[T5]

JEEP GRAND CHEROKEE (WJ)

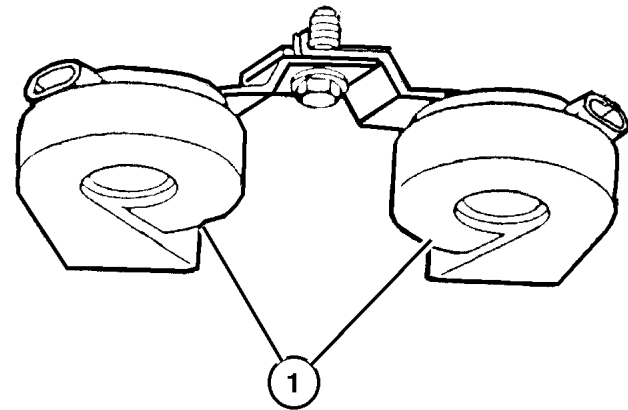
SERIES	LINE	BODY	ENGINE	TRANSMISSION
H = Laredo	J = 4WD	74 = 4 Door	ERH = 4.0L, Power Tech I-6	DGK = 4 Speed Autm, 42RE
M = Sport	T = 2WD		EVA = 4.7L, Power Tech V8	DGQ = 5 Speed Automatic, 45RFE
P = Limited			EVC = 4.7L HO V8 MPI	DG0 = All Automatic Transm
S = Overland			ERO = All 4.0L 6 Cyl Gas	
			EVO = All 4.7I Gas	

AR = Use as required - = Non illustrated part # = New this model year

May 1, 2002

Horns
Figure 008-910

ITEM	PART NUMBER	QTY	LINE	SERIES	BODY	ENGINE	TRANS	DESCRIPTION
1	56042 315AD	1						HORN, Duel



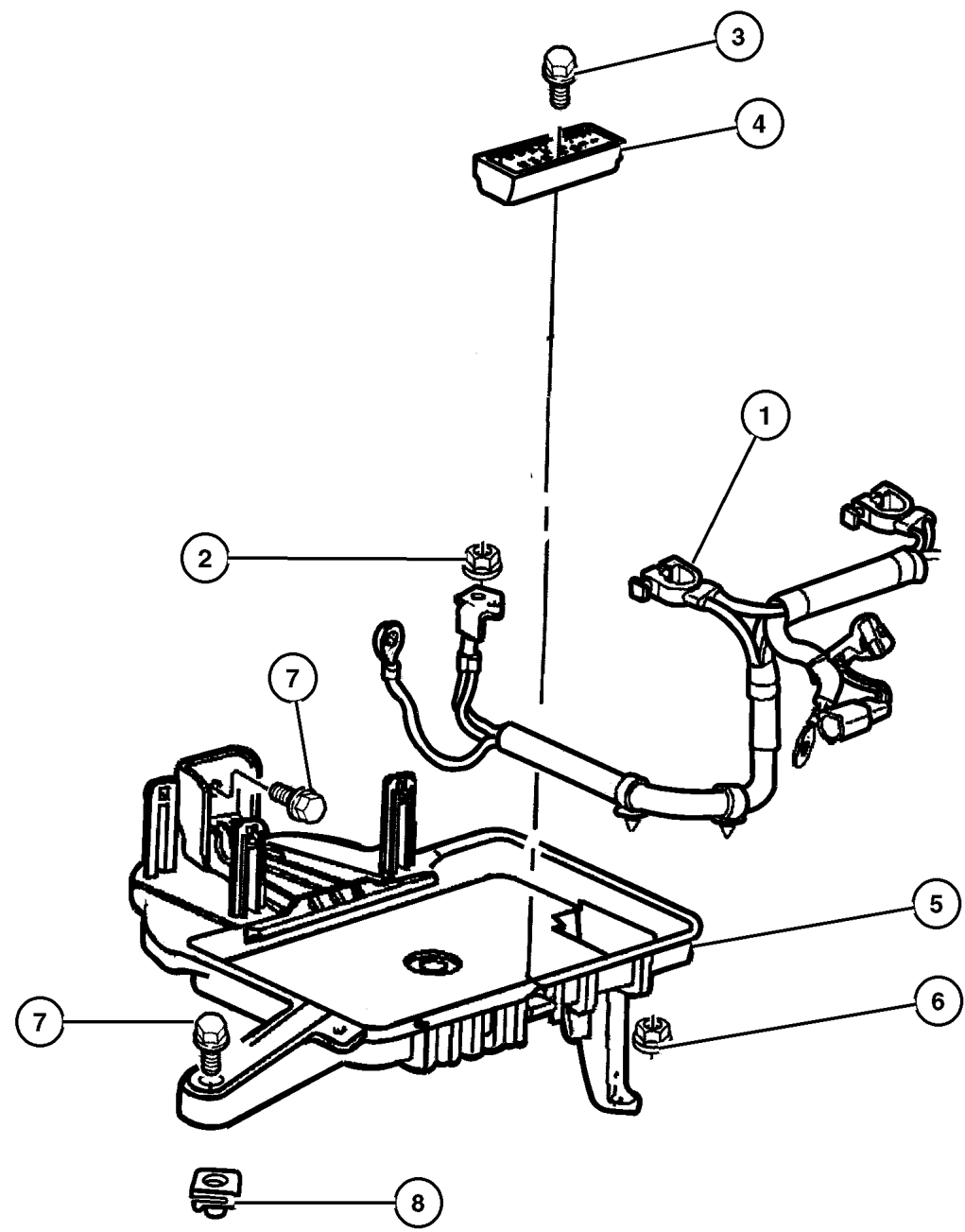
JEEP GRAND CHEROKEE (WJ)

SERIES	LINE	BODY	ENGINE	TRANSMISSION
H = Laredo	J = 4WD	74 = 4 Door	ERH = 4.0L, Power Tech I-6	DGK = 4 Speed Autm, 42RE
M = Sport	T = 2WD		EVA = 4.7L, Power Tech V8	DGQ = 5 Speed Automatic, 45RFE
P = Limited			EVC = 4.7L HO V8 MPI	DG0 = All Automatic Transm
S = Overland			ERO = All 4.0L 6 Cyl Gas	
			EVO = All 4.7l Gas	

AR = Use as required - = Non illustrated part # = New this model year

May 1, 2002

Battery Tray & Cables Figure 008-1010

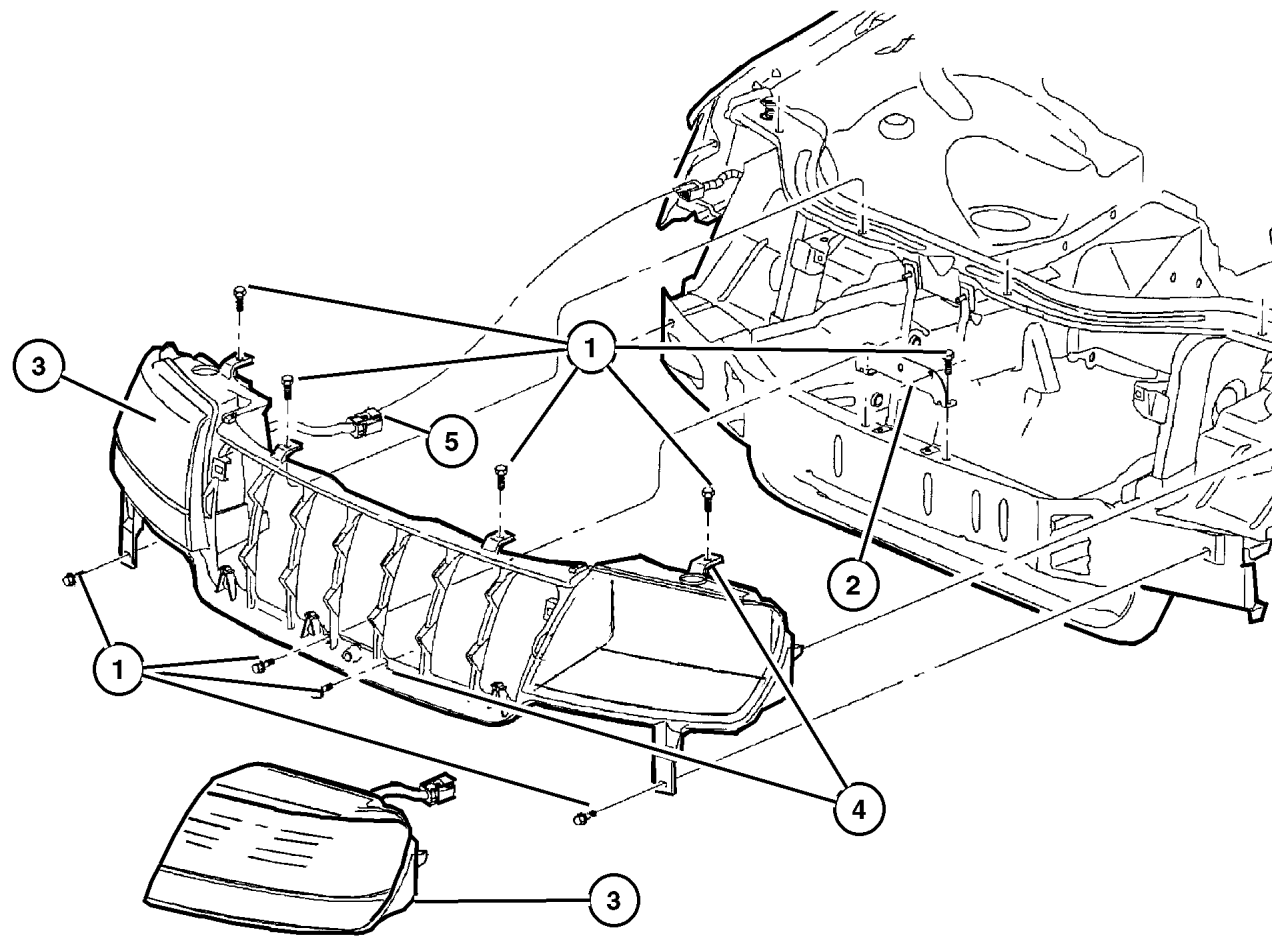


ITEM	PART NUMBER	QTY	LINE	SERIES	BODY	ENGINE	TRANS	DESCRIPTION
Notes: ake Shoe Return Spring Lower. ER0=4.0L Engine ake Shoe Return Spring Lower. EVO=4.7L Engine ake Shoe Return Spring Lower.								
1	#56041 907AA	1				ER0		WIRING, Alternator and Battery
	#56041 908AA	1				EVO		
2	6101 808	2				ER0, EVO		NUT, Hex, M6x1
3								SCREW AND WASHER, (NOT SERVICED)
4	55136 959AB	1				ER0, EVO		BRACKET, Battery Hold Down
5	55137 183AC	1				ER0, EVO		SUPPORT, Battery
6	6504 030	1						NUT AND WASHER, Hex, M6x1
7	6100 568	4						BOLT AND WASHER, Implement Attaching
8	6101 712	1				ER0, EVO		NUT, U, M6x1
-9	56045 607AA	1						COVER, Insulator, Wiring Protection, Alternator connector cover

JEEP GRAND CHEROKEE (WJ)				
SERIES	LINE	BODY	ENGINE	TRANSMISSION
H = Laredo	J = 4WD	74 = 4 Door	ERH = 4.0L, Power Tech I-6	DGK = 4 Speed Autm, 42RE
M = Sport	T = 2WD		EVA = 4.7L, Power Tech V8	DGQ = 5 Speed Automatic, 45RFE
P = Limited			EVC = 4.7L HO V8 MPI	DG0 = All Automatic Transm
S = Overland			ERO = All 4.0L 6 Cyl Gas	
			EVO = All 4.7l Gas	

AR = Use as required - = Non illustrated part # = New this model year

Lamp - Front End
Figure 008-1110



ITEM	PART NUMBER	QTY	LINE	SERIES	BODY	ENGINE	TRANS	DESCRIPTION
1	6503 259	2						SCREW, Tapping, M6x1x20
2	55155 706AC	1						BRACKET, Headlamp Panel
3								LAMP, Headlamp Park And Turn
	55155 128AB	1		H				Laredo w/o Headlamp Leveling up to 1/14/02, Right
	55155 129AB	1		H				Laredo w/o Headlamp Leveling up to 1/14/02, Left
	55155 552AB	1		P				Limited w/o Headlamp Leveling, Right
	55155 553AB	1		P				Limited w/o Headlamp Leveling, Left
	#55155 128AC	1		H, M				Laredo w/o Headlamp Leveling up after 1/14/02, Right
	#55155 129AC	1		H, M				Laredo w/o Headlamp Leveling up after 1/14/02, Left
4	5515 5498	1		P				SUPPORT, Headlamp Panel
5	5012 604AA	1		H				WIRING, Headlamp
-6	5604 2395	1		P				SENSOR, Ambient Temperature
-7	5012 685AA	1		H				RETAINER, Headlamp Receptical
-8	6033 014	1		P				NUT
-9	L0009 006XS	1		H				BULB, Headlamp, 9006XS
-10	L0900 5XSLL	1		H				BULB, Headlamp
-11	L000 3157	1						BULB, 3157
-12	L001 94NA	2		P, S				BULB, 194NA
-13	L0003 157NA	4		P				BULB, 3157 NAK
-14								LAMP, Fog
	5515 5136	AR						Right
	5515 5137	1		P				Left
-15	L000 9055	AR						BULB, 9055

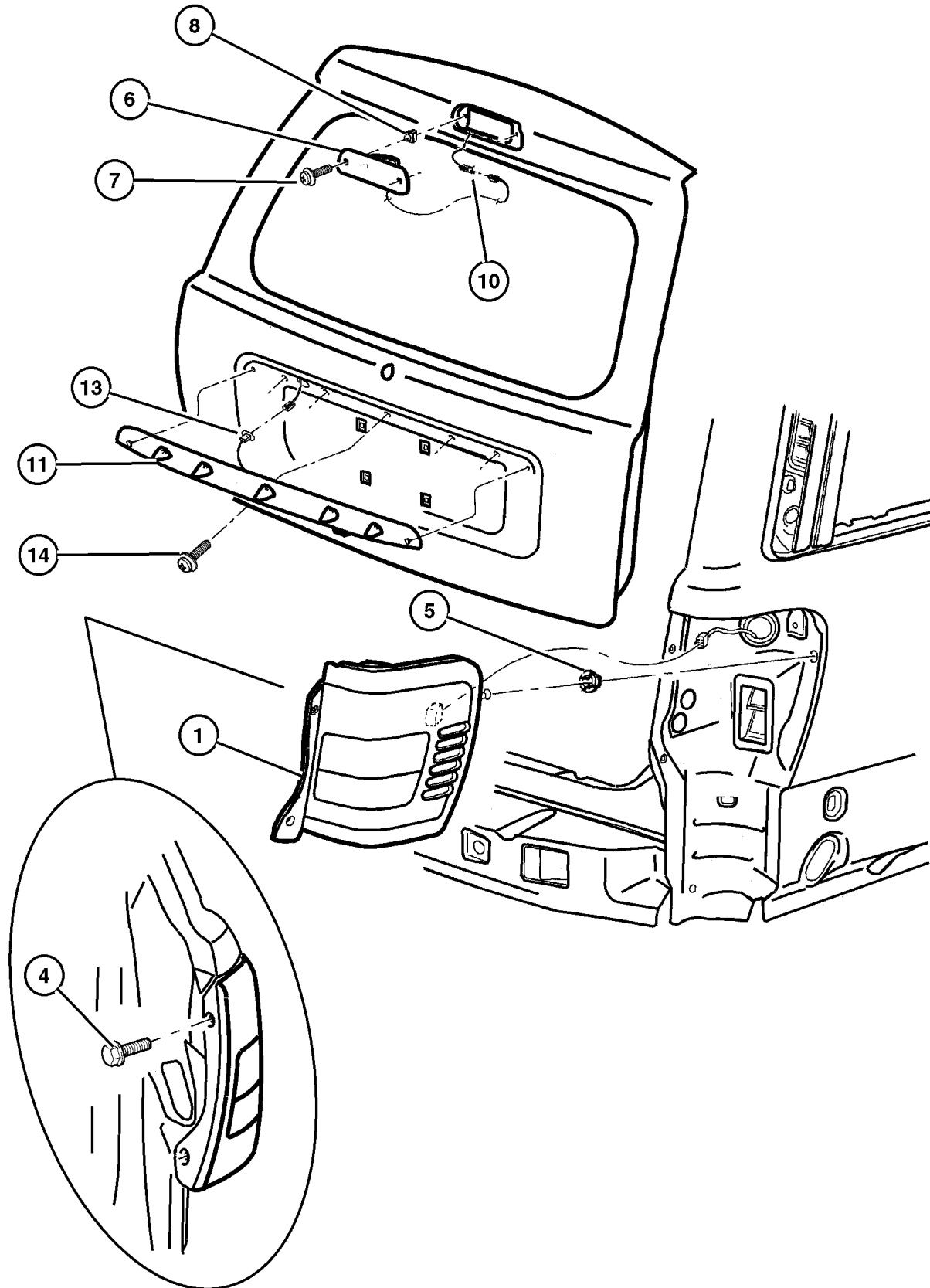
JEEP GRAND CHEROKEE (WJ)

SERIES	LINE	BODY	ENGINE	TRANSMISSION
H = Laredo	J = 4WD	74 = 4 Door	ERH = 4.0L, Power Tech I-6	DGK = 4 Speed Autm, 42RE
M = Sport	T = 2WD		EVA = 4.7L, Power Tech V8	DGQ = 5 Speed Automatic, 45RFE
P = Limited			EVC = 4.7L HO V8 MPI	DG0 = All Automatic Transm
S = Overland			ERO = All 4.0L 6 Cyl Gas	
			EVO = All 4.7I Gas	

AR = Use as required - = Non illustrated part # = New this model year

May 1, 2002

Lamp - Rear End
Figure 008-1120



ITEM	PART NUMBER	QTY	LINE	SERIES	BODY	ENGINE	TRANS	DESCRIPTION
1								LAMP, Tail Stop Turn
	55155 138AC	1						Up to 11/12/01, Right
	55155 139AC	1						Up to 11/12/01, Left
	#55155 138AG	1						11/12/01 & After, Right
	#55155 139AF	1						11/12/01 & After, Left
-2	L000 3157	1						BULB, 3157
-3	4676 589	3						SOCKET, Board
4								SCREW, .190-16 X .750, (NOT SERVICED)
5	6505 386AA	2						NUT, Plastic
6	5515 5140	1						LAMP, High Mounted Stop
7	6036 163AA	2						SCREW, .19-16x1.00
8	6505 703AA	2						NUT, Plastic Snap-in
-9	0154 883AA	1						BULB, 921
10	5604 2544	1						WIRING, High Mounted Stop Lamp
11								HOUSING, Lamp
	5012 553AB	1		H				Laredo
	5012 554AA	1		P				Limited
-12	5012 548AA	1		P				LAMP, License
13	56042 545AD	1		P				WIRING, License Lamp
14	6506 997AA	5						SCREW, License Plate Lamp
-15	56042 450AB	1		P				SWITCH, Flipper Window
-16	L000 0168	1		P				BULB, 168

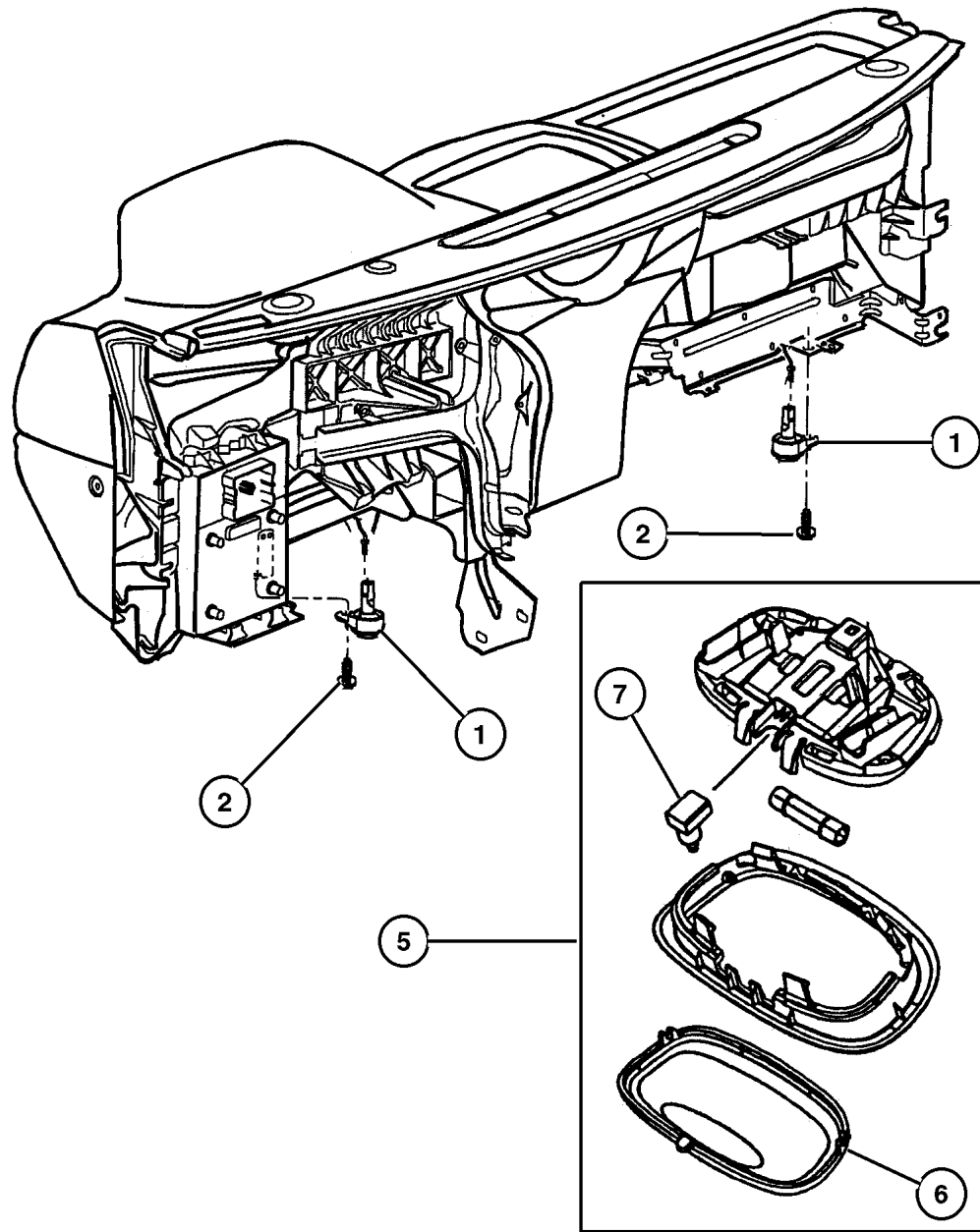
JEEP GRAND CHEROKEE (WJ)

SERIES	LINE	BODY	ENGINE	TRANSMISSION
H = Laredo	J = 4WD	74 = 4 Door	ERH = 4.0L, Power Tech I-6	DGK = 4 Speed Autm, 42RE
M = Sport	T = 2WD		EVA = 4.7L, Power Tech V8	DGQ = 5 Speed Automatic, 45RFE
P = Limited			EVC = 4.7L HO V8 MPI	DG0 = All Automatic Transm
S = Overland			ERO = All 4.0L 6 Cyl Gas	
			EVO = All 4.7I Gas	

AR = Use as required - = Non illustrated part # = New this model year

May 1, 2002

Lamp - Courtesy - Dome - Reading
Figure 008-1130



ITEM	PART NUMBER	QTY	LINE	SERIES	BODY	ENGINE	TRANS	DESCRIPTION
1	56042 559AA	2						LAMP, Courtesy, I/Panel Lower
2	6101 946	3						SCREW, Tapping
-3	L000 0161	1						BULB, 161, Ash Receiver
-4	4778 794	1						LENS, Illuminated Visor, Right & Left
5								LAMP, Cargo
	5FT1 0TL2	1						Beige (Rear Overhead Console) [DV]
	5FT1 0XDB	1						Blue/Quartz (Rear Overhead Console) [DB]
	5FT1 0XT5	1						Tan/Agate (Rear Overhead Console) [T5]
6	55196 755AA	1						LENS, Cargo Lamp
7								LENS, Lamp Module, Grab Handle
	55196 759AA	1						Left Rear
	55196 760AA	1						Right Rear
-8	4685 445	1						SWITCH, Reading Lamp, Rear Cargo
-9	4437 661	4						LAMP, Message Center
-10								LAMP, Door
	5600 5076	1		P				Right
		1		S				Right
	5600 5077	1		P				Left
		1		S				Left
-11	4897 446AA	1						LENS, Lamp Module, Underhood Lamp

JEEP GRAND CHEROKEE (WJ)

SERIES	LINE	BODY	ENGINE	TRANSMISSION
H = Laredo	J = 4WD	74 = 4 Door	ERH = 4.0L, Power Tech I-6	DGK = 4 Speed Autm, 42RE
M = Sport	T = 2WD		EVA = 4.7L, Power Tech V8	DGQ = 5 Speed Automatic, 45RFE
P = Limited			EVC = 4.7L HO V8 MPI	DG0 = All Automatic Transm
S = Overland			ERO = All 4.0L 6 Cyl Gas	
			EVO = All 4.7I Gas	

AR = Use as required - = Non illustrated part # = New this model year

May 1, 2002

Bulbs & Sockets
Figure 008-1140

ITEM	PART NUMBER	QTY	LINE	SERIES	BODY	ENGINE	TRANS	DESCRIPTION
Notes: ake Shoe Return Spring Lower.								
ERO=4.0L Engine ake Shoe Return Spring Lower.								
EVA=4.7L Power Tech Engine V8 ake Shoe Return Spring Lower.								
1	L000 3157	1						BULB, 3157
-2	L000 0921	1						BULB, 921
-3	L000 0561	1						BULB, 561, Underhood
-4	L0009 006XS	1		H				BULB, Headlamp, 9006XS
-5	L000 9005	1		P				BULB, Headlamp
-6	L000 0161	1						BULB, 161, Ash Receiver
-7	L000 0906	2						BULB, 906
-8	L000 0192	2						BULB, 192
-9	L000 PC74	12		H		ERO, EVA		BULB, PC74
-10	L000 0194	1						BULB, 194
-11	L002 1202	1						BULB, 212-2
-12	L002 1402	1						BULB, 21402
-13	5013 123AA	4						BULB, Heater and A/C Control



JEEP GRAND CHEROKEE (WJ)				
SERIES	LINE	BODY	ENGINE	TRANSMISSION
H = Laredo	J = 4WD	74 = 4 Door	ERH = 4.0L, Power Tech I-6	DGK = 4 Speed Autm, 42RE
M = Sport	T = 2WD		EVA = 4.7L, Power Tech V8	DGQ = 5 Speed Automatic, 45RFE
P = Limited			EVC = 4.7L HO V8 MPI	DG0 = All Automatic Transm
S = Overland			ERO = All 4.0L 6 Cyl Gas	
			EVO = All 4.7l Gas	

AR = Use as required - = Non illustrated part # = New this model year

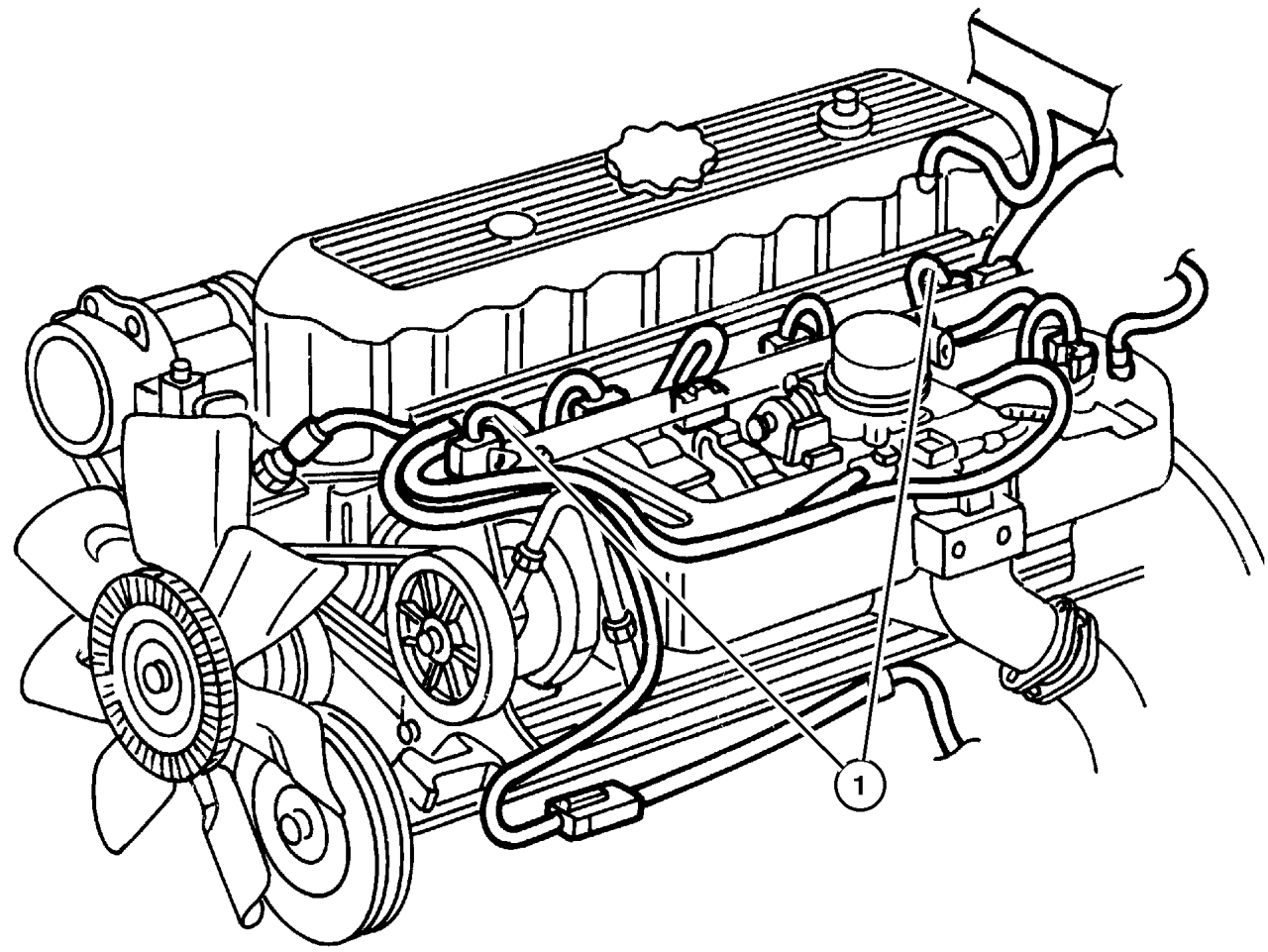
May 1, 2002

Wiring - Engine & Related Parts
Figure 008-1210

ITEM	PART NUMBER	QTY	LINE	SERIES	BODY	ENGINE	TRANS	DESCRIPTION
------	-------------	-----	------	--------	------	--------	-------	-------------

Notes: ake Shoe Return Spring Lower.
 [ER0]=4.0L Engine ake Shoe Return Spring Lower.
 [EVA]=4.7L Power Tech Engine ake Shoe Return Spring Lower.
 [EVC]=4.7L Power Tech HO V-8 ake Shoe Return Spring Lower.
 [EV0]=4.7L Engine ake Shoe Return Spring Lower.
 [DG0]=Automatic Transmission ake Shoe Return Spring Lower.

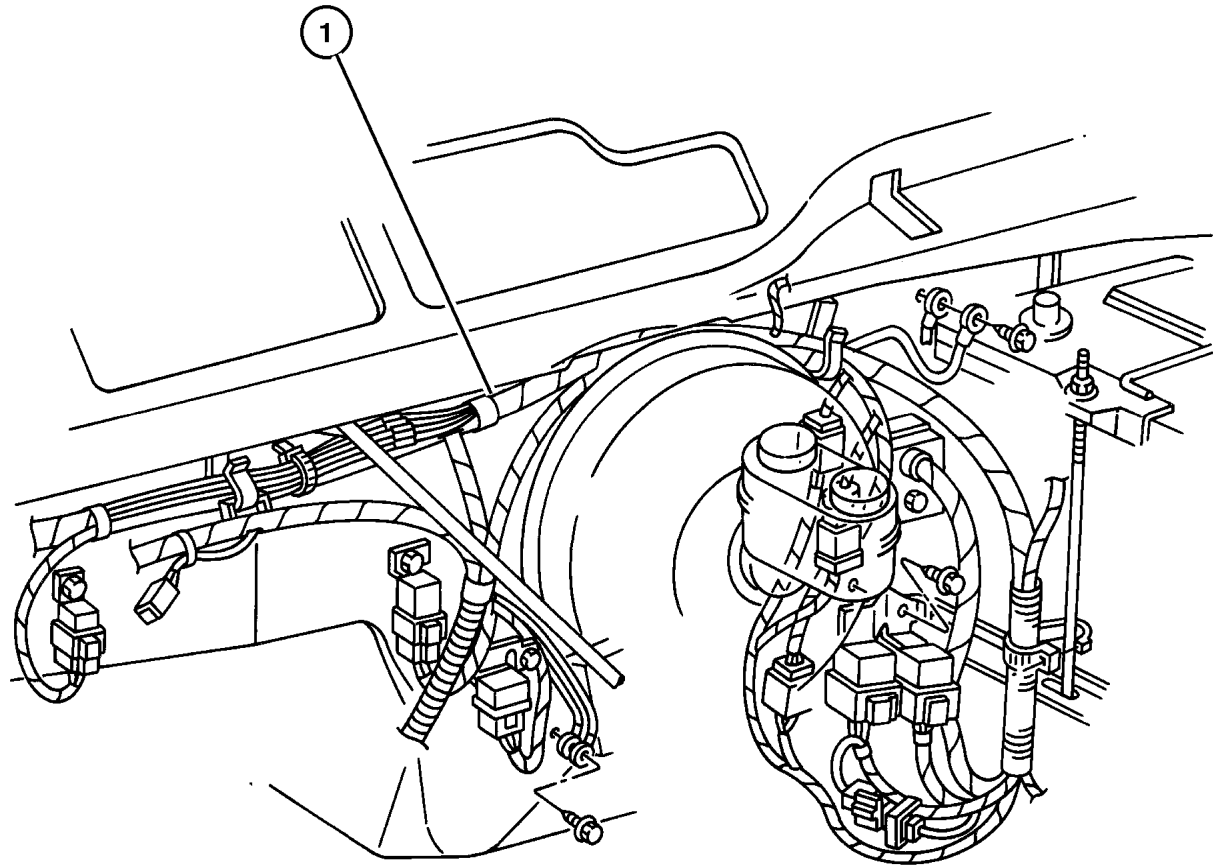
1								WIRING, Injector
	#56041 989AD	1				ER0	DG0	Up to 1/28/02
	#56041 991AC	1				EVA	DG0	Up to 1/28/02
	#56041 993AD	1				EVC	DG0	
	#56041 989AF	1	J			ER0	DG0	After 1/28/02
	#56041 991AD	1	T			EVA	DG0	After 1/28/02
-2	5600 8876	1						STRAP, Tie
-3	#56041 899AB	1	J			ER0, EVO		WIRING, Transfer Case Jumper



JEEP GRAND CHEROKEE (WJ)				
SERIES	LINE	BODY	ENGINE	TRANSMISSION
H = Laredo	J = 4WD	74 = 4 Door	ERH = 4.0L, Power Tech I-6	DGK = 4 Speed Autm, 42RE
M = Sport	T = 2WD		EVA = 4.7L, Power Tech V8	DGQ = 5 Speed Automatic, 45RFE
P = Limited			EVC = 4.7L HO V8 MPI	DG0 = All Automatic Transm
S = Overland			ERO = All 4.0L 6 Cyl Gas	
			EVO = All 4.7I Gas	

AR = Use as required - = Non illustrated part # = New this model year

**Wiring - Headlamp / Dash
Figure 008-1310**



ITEM	PART NUMBER	QTY	LINE	SERIES	BODY	ENGINE	TRANS	DESCRIPTION
Notes: ake Shoe Return Spring Lower.								
[ER0]=4.0L Engine ake Shoe Return Spring Lower.								
[EVO]=4.7L Engine ake Shoe Return Spring Lower.								
[EVA]=4.7L Power Tech Engine V8 ake Shoe Return Spring Lower.								
[EVC]=4.7L Power Tech HO Engine V8 ake Shoe Return Spring Lower.								
1								WIRING, Headlamp to Dash
	#56042 951AE	1				ER0		With Foglamps, Right
	#56042 955AE	1				EVA		With Foglamps, Right
	#56042 956AE	1				EVC		Right
	#56042 958AD	1				ER0,		Left
						EVO		
	#56050 238AA	1				ER0		Without Foglamps, Right
	#56050 239AA	1				EVA		Without Foglamps, Right
	#56050 240AA	1				ER0,		Without Foglamps, Left
						EVO		
-2	4604 235	1						BREAKER, Circuit
-3	#5083 117AA	AR						COVER, Power Distribution Center
-4	4671 168	AR						RELAY, Mini
-5	00AT M10	1						FUSE, Mini, 10 AMP, Red
-6	00AT M15	1						FUSE, Mini, 15 AMP, Light Blue
-7	00AT M20	1						FUSE, Mini, 20 AMP, Yellow
-8	6102 076AA	AR						FUSE CARTRIDGE, 30 Amp
-9	6102 077AA	AR						FUSE CARTRIDGE, 40 Amp
-10	6102 078AA	AR						FUSE CARTRIDGE, 50 Amp
-11	55196 762AA	1						PULLER, Fuse

JEEP GRAND CHEROKEE (WJ)

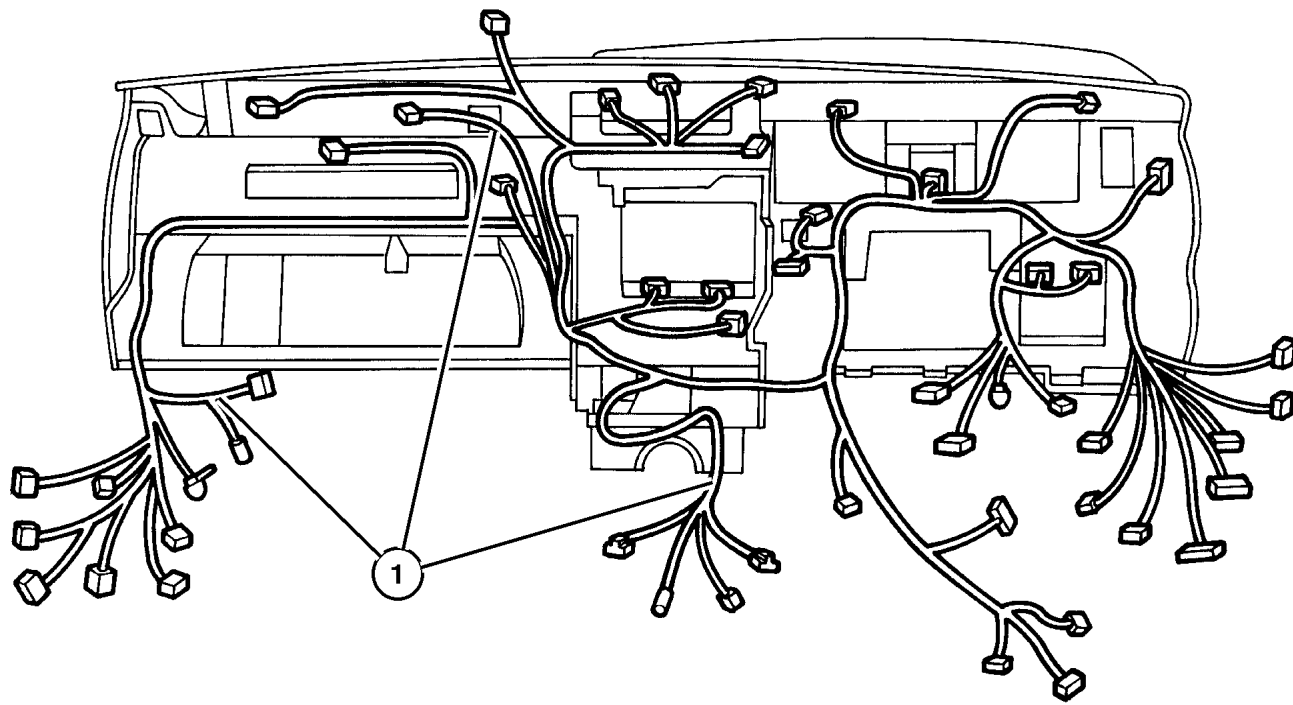
SERIES	LINE	BODY	ENGINE	TRANSMISSION
H = Laredo	J = 4WD	74 = 4 Door	ERH = 4.0L, Power Tech I-6	DGK = 4 Speed Autm, 42RE
M = Sport	T = 2WD		EVA = 4.7L, Power Tech V8	DGQ = 5 Speed Automatic, 45RFE
P = Limited			EVC = 4.7L HO V8 MPI	DG0 = All Automatic Transm
S = Overland			ERO = All 4.0L 6 Cyl Gas	
			EVO = All 4.7I Gas	

AR = Use as required - = Non illustrated part # = New this model year

May 1, 2002

Wiring - Instrument Panel
Figure 008-1410

ITEM	PART NUMBER	QTY	LINE	SERIES	BODY	ENGINE	TRANS	DESCRIPTION
1								WIRING, Instrument Panel
	#56050 049AD	1						with Air Condition & 10 Disc Remote CD Changer
	#56050 050AD	1						with Automatic Headlamp, Air Condition with Automatic Dual Temperature Control & 10 Disc Remote CD Changer
	#56050 187AA	1						with Air Condition & without 10 Disc Remote CD Changer
	#56050 188AA	1						with Automatic Headlamp, Air Condition with Automatic Dual Temperature Control & without 10 Disc Remote CD Changer
-2	4274 258	1						TAPE, Radio Connector, Foam
-3	#5019 816AA	1						JUNCTION BLOCK, Relay
-4	00AT M10	1						FUSE, Mini, 10 AMP, Red
-5	00AT M15	1						FUSE, Mini, 15 AMP, Light Blue
-6	00AT M20	1						FUSE, Mini, 20 AMP, Yellow
-7	4687 835	1						FUSE, Mini, 25 Amp, Natural
-8	55196 762AA	1						PULLER, Fuse
-9	55116 564AC	1						COVER, Fuse Access
-10	4604 235	1						BREAKER, Circuit
-11	#56042 679AA	1						PLUG, Wiring, 16 Way (Plug/Cap/ Shorting Bar)

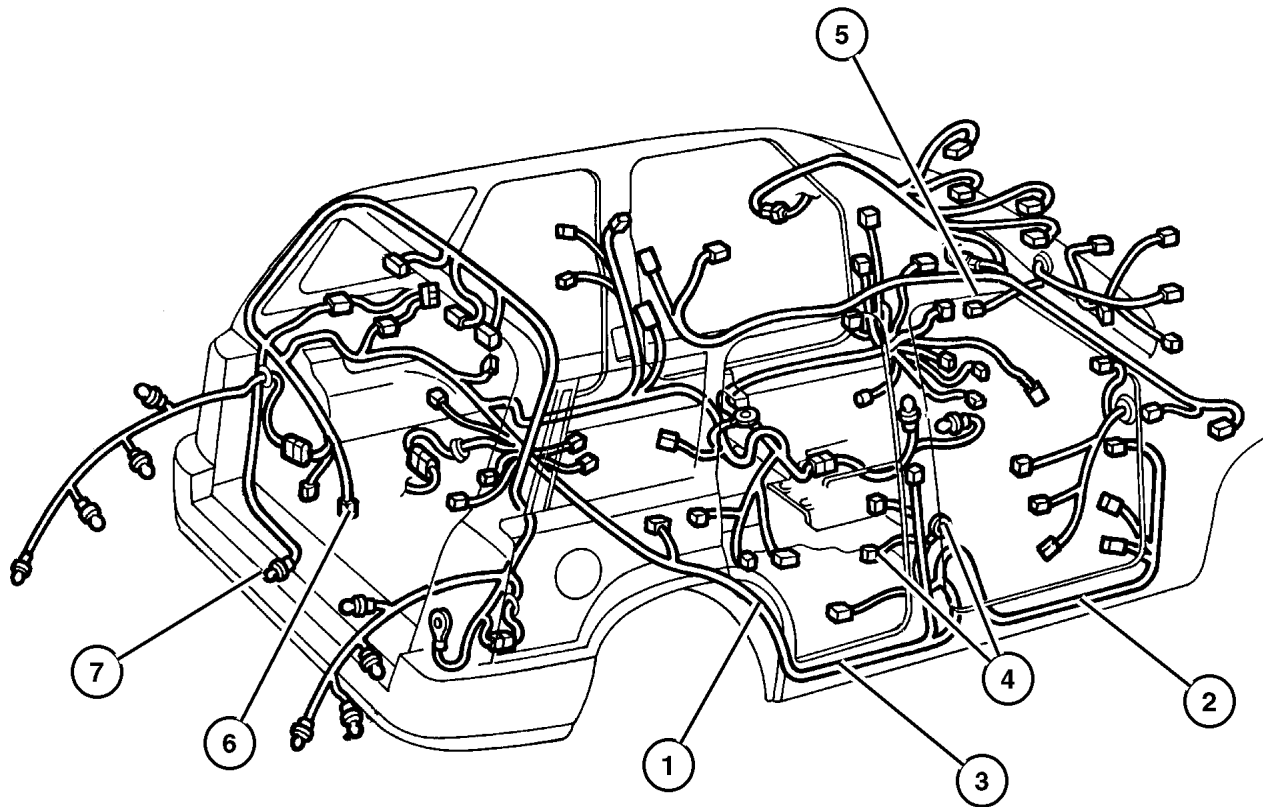


JEEP GRAND CHEROKEE (WJ)				
SERIES	LINE	BODY	ENGINE	TRANSMISSION
H = Laredo	J = 4WD	74 = 4 Door	ERH = 4.0L, Power Tech I-6	DGK = 4 Speed Autm, 42RE
M = Sport	T = 2WD		EVA = 4.7L, Power Tech V8	DGQ = 5 Speed Automatic, 45RFE
P = Limited			EVC = 4.7L HO V8 MPI	DG0 = All Automatic Transm
S = Overland			ERO = All 4.0L 6 Cyl Gas	
			EVO = All 4.7l Gas	

AR = Use as required - = Non illustrated part # = New this model year

May 1, 2002

Wiring - Body & Accessories
Figure 008-1510



ITEM	PART NUMBER	QTY	LINE	SERIES	BODY	ENGINE	TRANS	DESCRIPTION
1								WIRING, Body
	#56042 982AE	1						with Side Airbags & 6 Way Driver Power Seat, Left
	#56042 983AF	1						with Side Airbags & without Power Seat, Left
	#56042 984AC	1						with Side Airbags & without Power Seat, Power Outlet, Infinity Speaker System & without 10 Disc Remote CD Changer, Right
	#56042 985AC	1						with Side Airbags, Power Seats & without Power Outlet, Infinity Speaker System & without 10 Disc Remote CD Changer, Right
	#56042 988AC	1						with 10 Disc Remote CD Changer & Side Airbag, Right
	#56050 059AE	1						with Power Seats, Left
	#56050 060AF	1						without Power Seats, Left
	#56050 061AC	1						without Power Seats, Power Outlet, Infinity Speaker System & without 10 Disc Remote CD Changer, Right
	#56050 062AC	1						with Power Seats & without Power Outlet, Infinity Speaker System & without 10 Disc Remote CD Changer, Right
	#56050 063AC	1						with 10 Disc Remote CD Changer & without Side Airbag, Right
2								WIRING, Front Door
	56042 220AE	1						(Passenger Side), Passenger Side
	56042 219AE	1						with Security Alarm, Driver Side
	56042 221AE	1						without Security Alarm, Driver Side
3	56042 538AG	2						WIRING, Rear Door
4								WIRING, Door Jumper
	56042 525AE	1			P			Left Front Door
	56042 526AE	1			P			Right Front Door
	56042 527AE	1			H			with 6 Speakers or with Infinity Sound System, Right & Left
5								WIRING, Steering Wheel
	#56042 934AA	1			H			[SCL] [SCW]
	#56042 937AA	1						[SCA] [SCW]
6	56042 800AB	1						WIRING, Liftgate
7	56042 239AF	1						WIRING, Trailer Tow
-8	56038 366AB	1						CONNECTOR, 7 Way

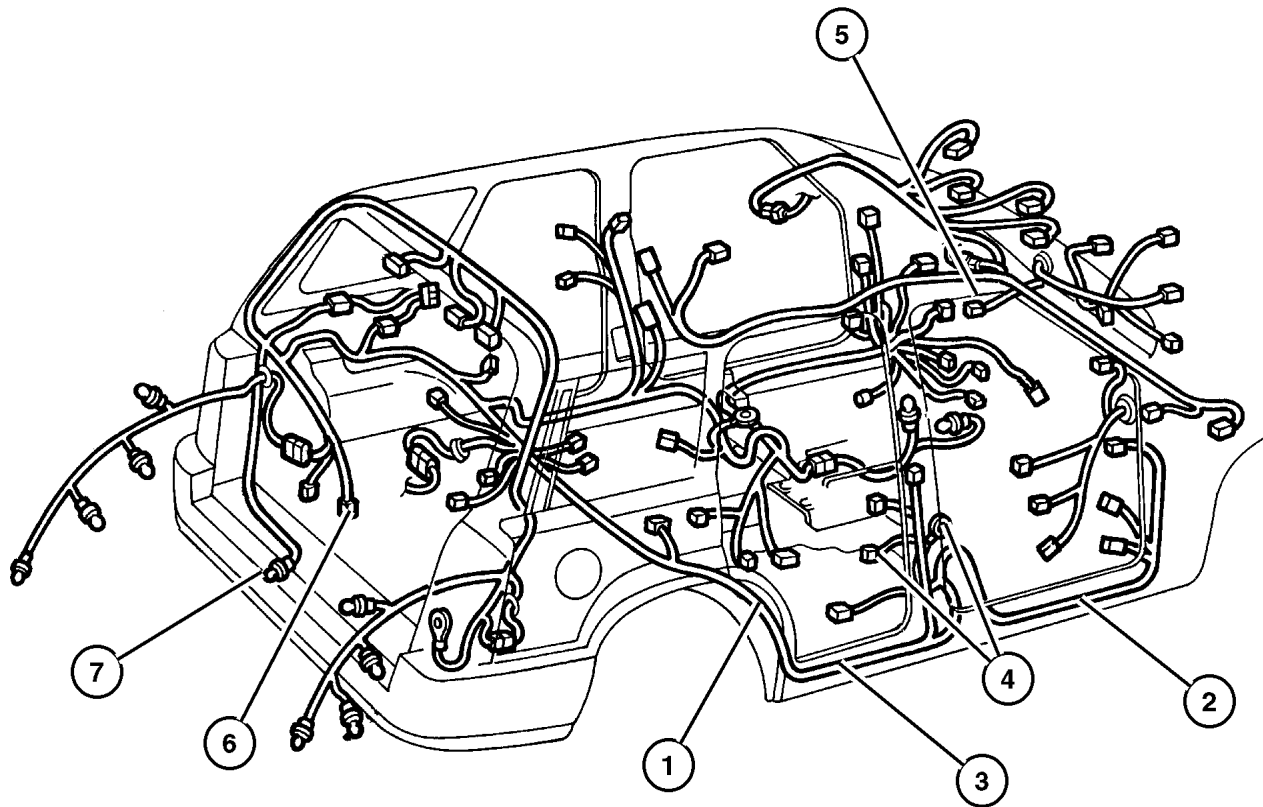
JEEP GRAND CHEROKEE (WJ)

SERIES	LINE	BODY	ENGINE	TRANSMISSION
H = Laredo	J = 4WD	74 = 4 Door	ERH = 4.0L, Power Tech I-6	DGK = 4 Speed Autm, 42RE
M = Sport	T = 2WD		EVA = 4.7L, Power Tech V8	DGQ = 5 Speed Automatic, 45RFE
P = Limited			EVC = 4.7L HO V8 MPI	DG0 = All Automatic Transm
S = Overland			ERO = All 4.0L 6 Cyl Gas	
			EVO = All 4.7L Gas	

AR = Use as required - = Non illustrated part # = New this model year

May 1, 2002

Wiring - Body & Accessories
Figure 008-1510



ITEM	PART NUMBER	QTY	LINE	SERIES	BODY	ENGINE	TRANS	DESCRIPTION
-9	5601 9823	1						ADAPTER, Trailer Tow, 7-4 Way
-10	8220 3600	1						COVER KIT, Trailer Tow
-11	55196 754AA	1						WIRING, Overhead Lighting
-12	4793 554AB	1						POWER OUTLET, Cigar Lighter
-13	4685 591	1						CAP, Cigar Lighter, Quarter Trim Panel
-14								WIRING, Seat
	5015 747AA	1						with Power Seats, 10 Way Memory & Map Pocket, Right
	5017 929AA	1						with Power 10 Way Heated Seats, Right
		1						with Power Heated Seats, Right
	5015 747AA	1						with Power Seats & 10 Way Memory, Right
	#5083 025AA	1						With Power Driver & Passenger Seats, Left
	#5083 027AA	1						With Power Seats, 6 Way Driver & 10 Way Memory, Left
	#5083 029AA	1						With Power 10 Way Heated Seats, Left
	#5083 906AA	1						With Power Seats, 6 Way Driver, 10 Way Memory & Heated Seats, Right
	#5083 907AA	1						With Power Seats, 6 Way & Heated Seats, Left
-15	5016 560AA	1						WIRING, Sunroof
-16	55196 753AA	1						WIRING, Overhead Lighting, Assist Handles , Assist Handles
-17	#5073 040AA	1						HARNES, Adjustable Brake Pedal
-18	#5073 371AA	1						HARNES, Wiring, A/C Heater
-19								WIRING, Air Bag Adapter
	#55315 071AA	2						Side Air Bags
	#56050 035AD	1						To Air Bag Control Module with Side Air Bags
	#56050 036AC	1						To Air Bag Control Module without Side Air Bags

JEEP GRAND CHEROKEE (WJ)

SERIES	LINE	BODY	ENGINE	TRANSMISSION
H = Laredo	J = 4WD	74 = 4 Door	ERH = 4.0L, Power Tech I-6	DGK = 4 Speed Autm, 42RE
M = Sport	T = 2WD		EVA = 4.7L, Power Tech V8	DGQ = 5 Speed Automatic, 45RFE
P = Limited			EVC = 4.7L HO V8 MPI	DG0 = All Automatic Transm
S = Overland			ERO = All 4.0L 6 Cyl Gas	
			EVO = All 4.7I Gas	

AR = Use as required - = Non illustrated part # = New this model year

May 1, 2002

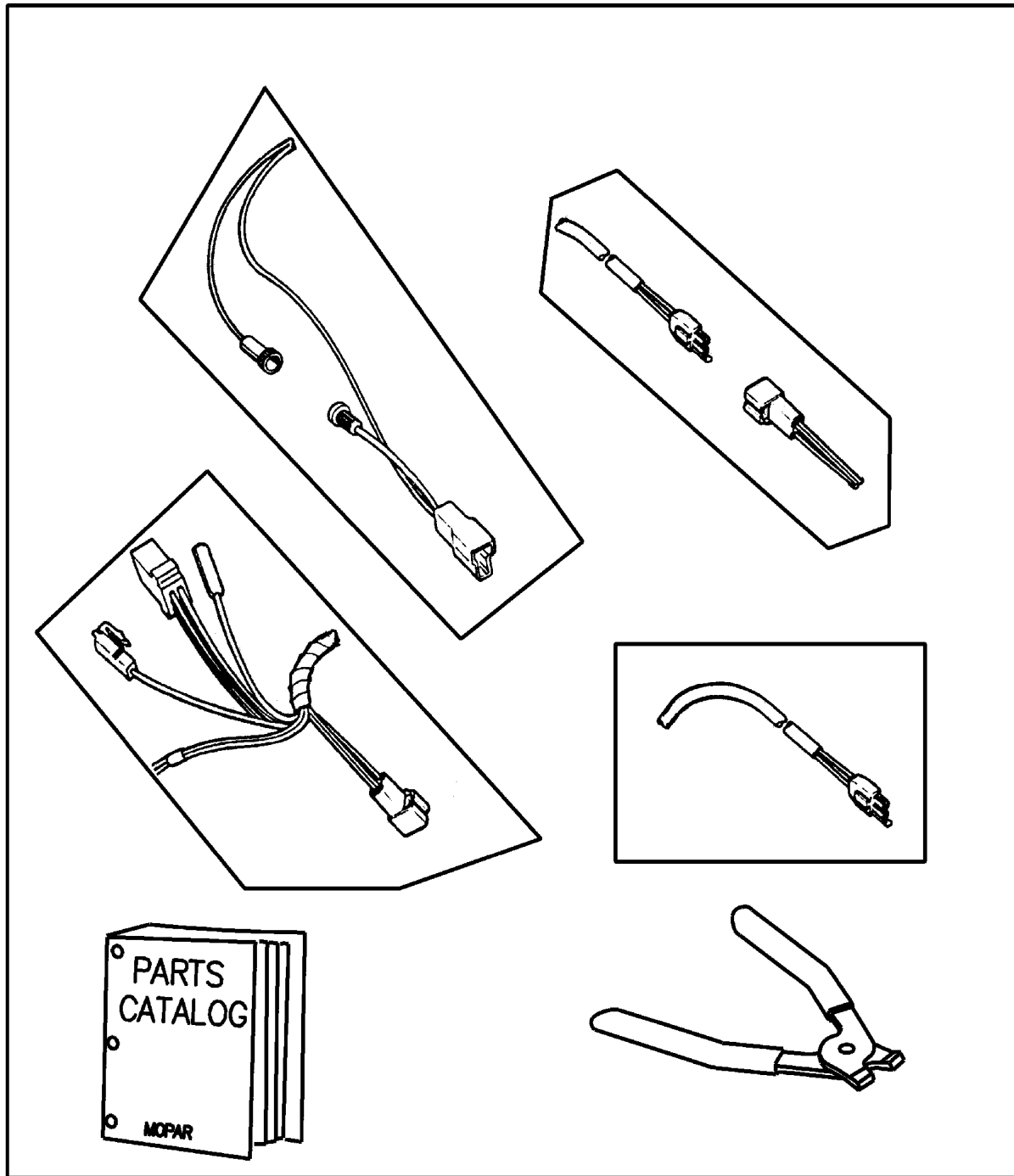
Wiring Repair Packages
Figure 008-1605

ITEM	PART NUMBER	QTY	LINE	SERIES	BODY	ENGINE	TRANS	DESCRIPTION
------	-------------	-----	------	--------	------	--------	-------	-------------

Notes: ake Shoe Return Spring Lower.

[ER0]=4.0L Engine ake Shoe Return Spring Lower.

1	5013 930AD	1						WIRING PACKAGE, Underhood Connector Repair
-2	4364 392	1				ER0		TUBE, Convoluted
-3								STRAP, Tie
	J417 5376	3						Black Nylon 11.5' length
	4856 502	1						CLIP, Wiring
-4						ER0, EVO		Sensor Wiring
	6015 327	1						
	5601 9959	1	T				DGQ	Transmission Wiring
-5	56038 591AB	1				EVO		STRAP, Ground



1

JEEP GRAND CHEROKEE (WJ)

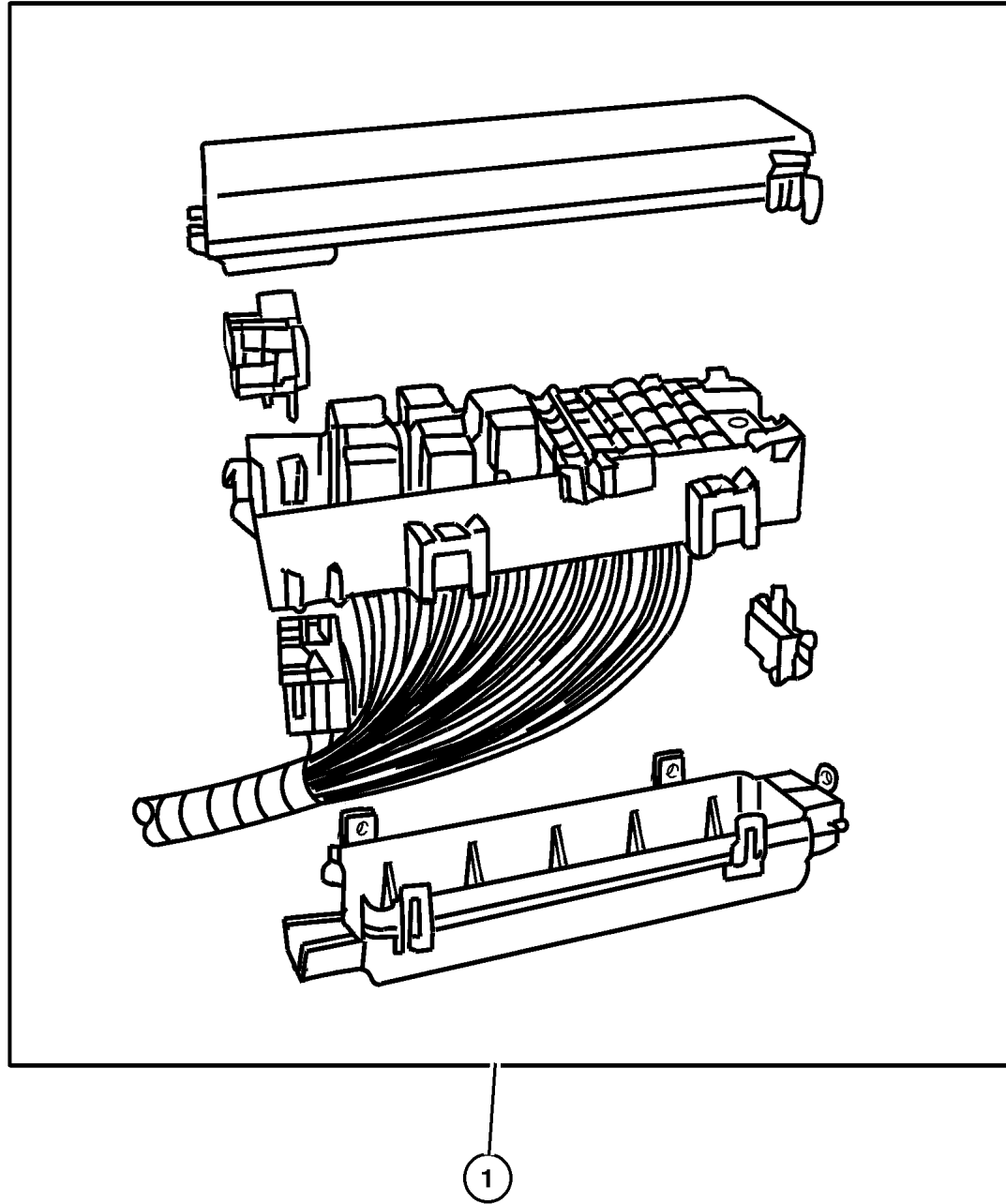
SERIES	LINE	BODY	ENGINE	TRANSMISSION
H = Laredo	J = 4WD	74 = 4 Door	ERH = 4.0L, Power Tech I-6	DGK = 4 Speed Autm, 42RE
M = Sport	T = 2WD		EVA = 4.7L, Power Tech V8	DGQ = 5 Speed Automatic, 45RFE
P = Limited			EVC = 4.7L HO V8 MPI	DG0 = All Automatic Transm
S = Overland			ERO = All 4.0L 6 Cyl Gas	
			EVO = All 4.7I Gas	

AR = Use as required - = Non illustrated part # = New this model year

May 1, 2002

**Power Distribution Center Repair
Figure 008-1610**

ITEM	PART NUMBER	QTY	LINE	SERIES	BODY	ENGINE	TRANS	DESCRIPTION
1	5014 460AB	1						REPAIR KIT, Power Distribution Center



JEEP GRAND CHEROKEE (WJ)				
SERIES	LINE	BODY	ENGINE	TRANSMISSION
H = Laredo	J = 4WD	74 = 4 Door	ERH = 4.0L, Power Tech I-6	DGK = 4 Speed Autm, 42RE
M = Sport	T = 2WD		EVA = 4.7L, Power Tech V8	DGQ = 5 Speed Automatic, 45RFE
P = Limited			EVC = 4.7L HO V8 MPI	DG0 = All Automatic Transm
S = Overland			ERO = All 4.0L 6 Cyl Gas	
			EVO = All 4.7l Gas	

AR = Use as required - = Non illustrated part # = New this model year

May 1, 2002

Spark Plugs - Coils Figure 008-1910

ITEM	PART NUMBER	QTY	LINE	SERIES	BODY	ENGINE	TRANS	DESCRIPTION
------	-------------	-----	------	--------	------	--------	-------	-------------

Notes: ake Shoe Return Spring Lower.

[ER0]=4.0L Engine ake Shoe Return Spring Lower.

[ERH]=4.0L Power Tech Engine ake Shoe Return Spring Lower.

[EVO]=4.7L Engine ake Shoe Return Spring Lower.

[EVA]=4.7L Power Tech Engine V8 ake Shoe Return Spring Lower.

[EVC]=4.7L Power Tech HO Engine V8 ake Shoe Return Spring Lower.

[DG0]=Automatic Transmission ake Shoe Return Spring Lower.

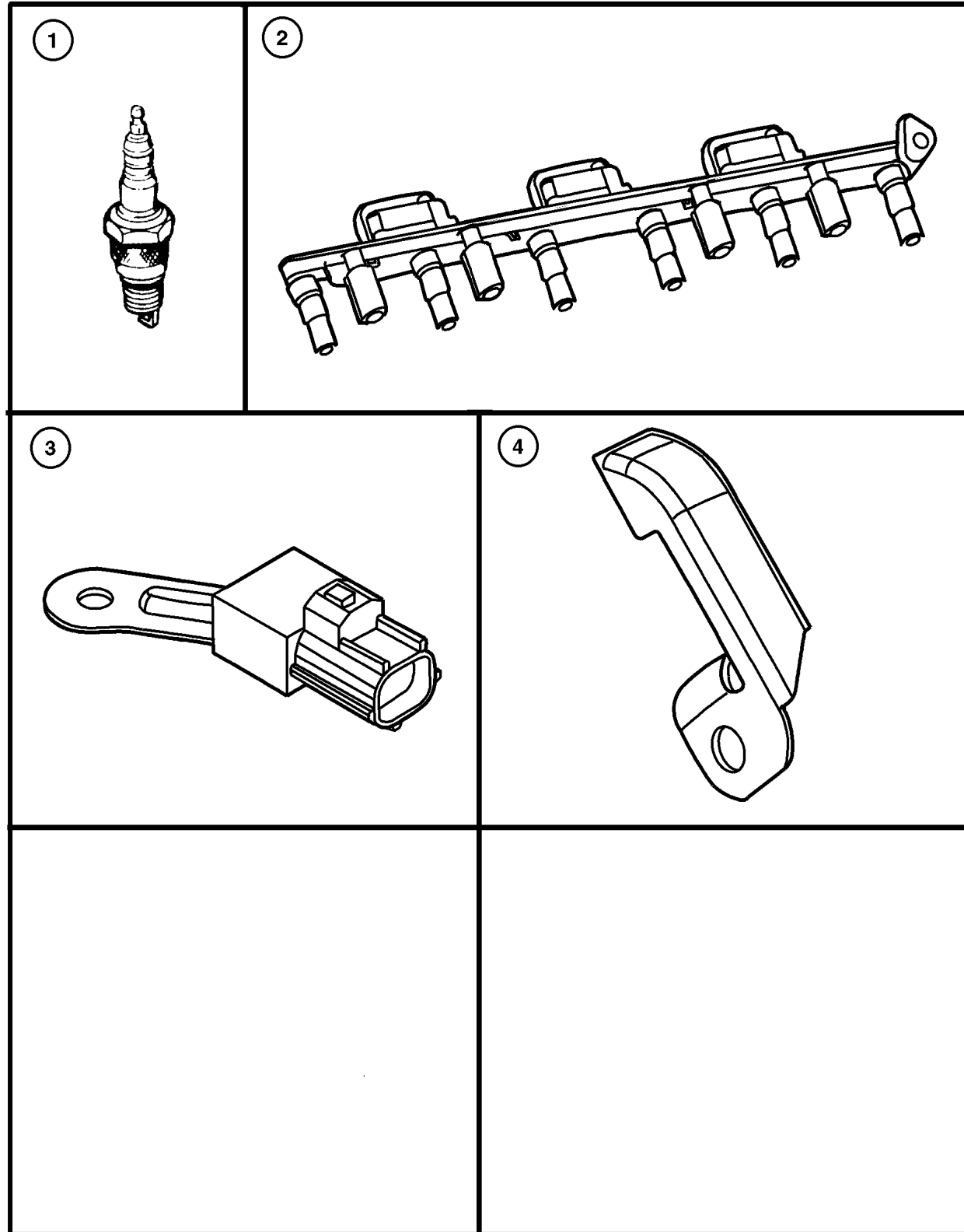
1								SPARK PLUG
	SP0RC 12ECC	6				ER0		
	SPRC1 2MCC4	8				EVA		
	#SPRC7 PYCB4	8				EVC		COIL, Ignition
2								
	56041 476AA	1				ER0		
	56028 138AD	8				EVO		
3								CAPACITOR, Ignition
	56041 889AA	1				ERH		
		2				EVO		
4	56041 388AA	1				ER0	DG0	SHIELD, Wiring
-5	6102 146AA	4				ER0		SCREW AND WASHER, Ignition Coil Mounting

JEEP GRAND CHEROKEE (WJ)

SERIES	LINE	BODY	ENGINE	TRANSMISSION
H = Laredo	J = 4WD	74 = 4 Door	ERH = 4.0L, Power Tech I-6	DGK = 4 Speed Autm, 42RE
M = Sport	T = 2WD		EVA = 4.7L, Power Tech V8	DGQ = 5 Speed Automatic, 45RFE
P = Limited			EVC = 4.7L HO V8 MPI	DG0 = All Automatic Transm
S = Overland			ER0 = All 4.0L 6 Cyl Gas	
			EVO = All 4.7L Gas	

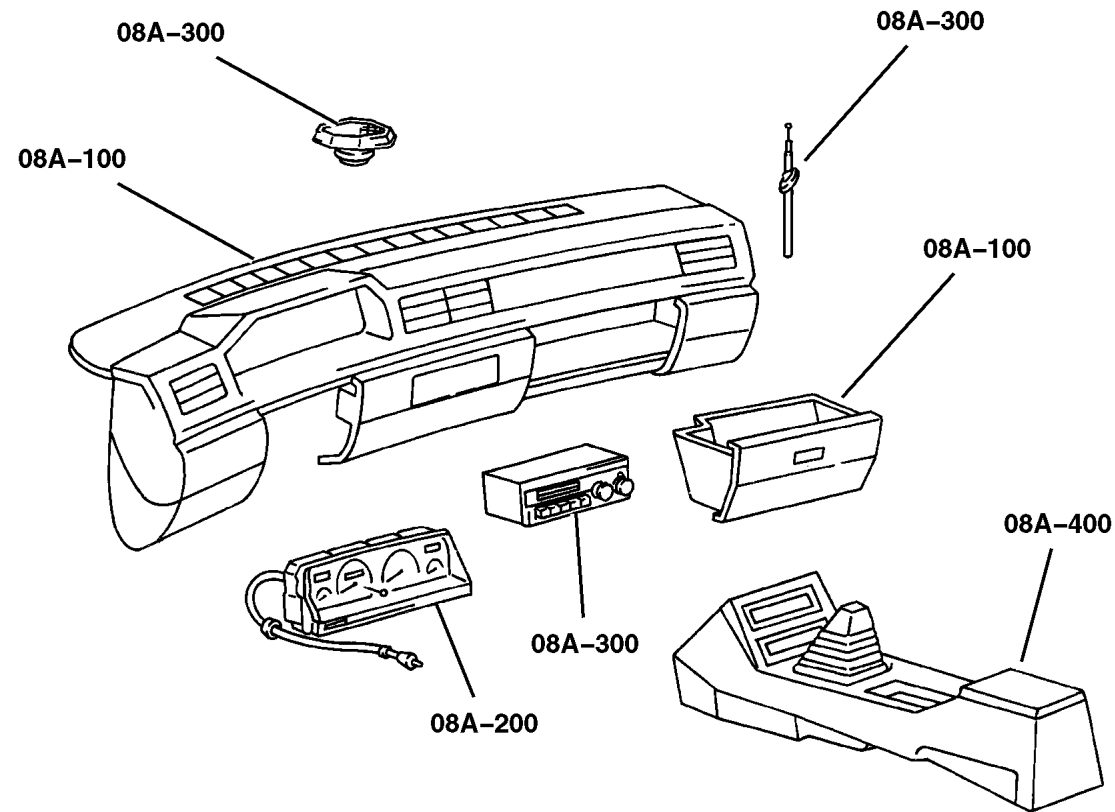
AR = Use as required - = Non illustrated part # = New this model year

May 1, 2002



Group – 08A

Instrument Panel and Radios and Consoles



GROUP 8A - Instrument Panel and Radios and Consoles

Illustration Title

Group-Fig. No.

Instrument Panel

Instrument Panel Fig. 08A-110

Instrument Panel Cluster

Instrument Cluster Fig. 08A-210

Radio, Antenna, and Speakers

Radios Fig. 08A-310

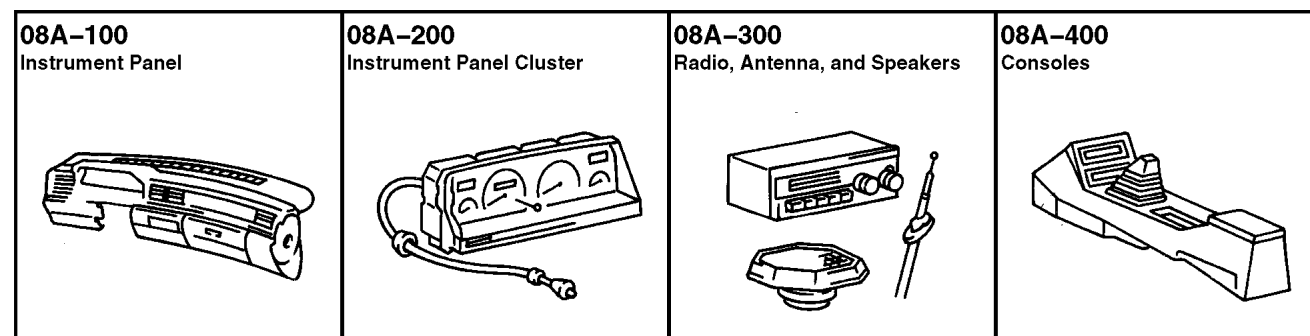
Antenna Fig. 08A-320

Speakers Fig. 08A-325

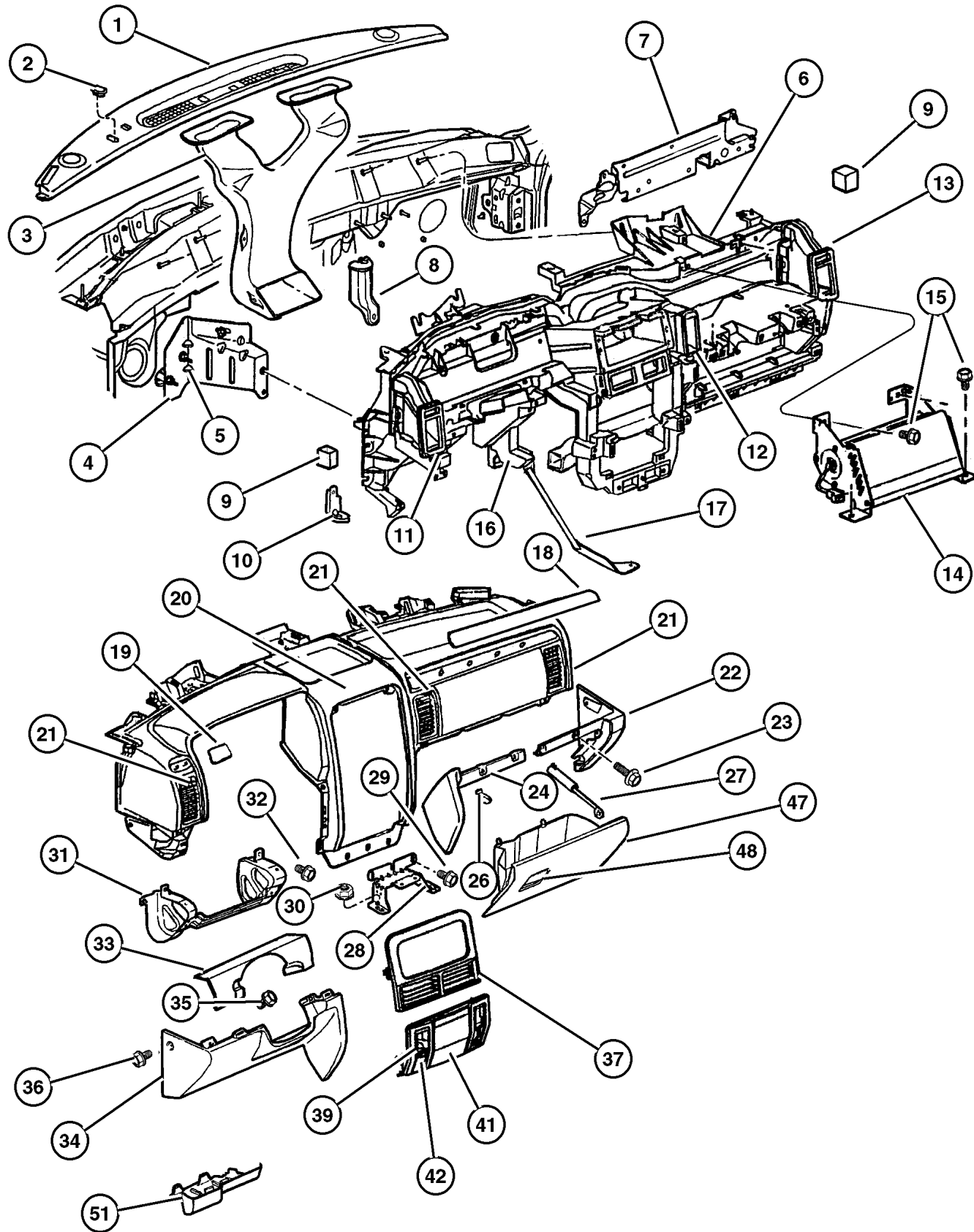
Consoles

Floor Console Fig. 08A-410

Overhead Console Fig. 08A-420



**Instrument Panel
Figure 08A-110**



ITEM	PART NUMBER	QTY	LINE	BODY	DESCRIPTION
1					COVER, Instrument Panel
	QR20 WL8AD	1			[L5]
	QR20 XTMAAD	1			[T5]
	QR20 XDVAAD	1			[DB] [DV]
2					PLUG, Solar Sensor
	5EL1 1WL8	1			[L5]
	5EL1 1XTM	1			[T5]
	5EL1 1XDV	1			[DB] [DV]
3	5511 6014	1			DUCT, Defroster
4	55116 395AC	1			BRACKET, Instrument Panel
5					NUT, M6x1, (NOT SERVICED)
6	55116 407AC	1			DUCT, Instrument Panel, Structural
7	55116 373AB	1			BRACKET, Instrument Panel, C-Channel Cover
8	55116 397AA	1			BRACKET, Instrument Panel
9					SPACER
	52850 582AA	1			Right
	52850 583AA	1			Left
10	#55116 822AA	1			BRACKET, Courtesy Lamp
11	55116 287AB	1			DUCT, Instrument Panel, Extension Left
12	55116 285AA	1			DUCT, Instrument Panel, Extension In Board
13	55116 286AB	1			DUCT, Instrument Panel, Extension Right
14	#55116 438AA	1			AIR BAG, Passenger
15					SCREW, Hex Head, (NOT SERVICED)
16					BRACKET, Instrument Panel, Steering Column Support
	55116 391AA	1			without Adjustable Pedal
	#55116 569AA	1			with Adjustable Pedal
17					STRAP, Serviced in Assembly, (NOT SERVICED)
18					BEZEL, Instrument Panel
	55116 482AA	1			Spartan Burl, Passenger
	55116 509AA	1			Brush Aluminum, Passenger
	#55116 511AB	1			Redwood, Passenger
19					BEZEL, Instrument Panel, Armature Assembly & A/C Outlet
					Bezel Included
	55116 475AA	1			Spartan Burl, Driver
	55116 497AA	1			Brush Aluminum, Driver
	#55116 499AA	1			Redwood
20					PAD, Instrument Panel
	5HK98 1L8AA	1			[L5]
	5HK98 1TMAA	1			[T5]
	5HK98 1DVAA	1			[DB] [DV]
21					OUTLET, Air Conditioning & Heater
	5GZ12 1L8AB	1			[L5] (Inboard)

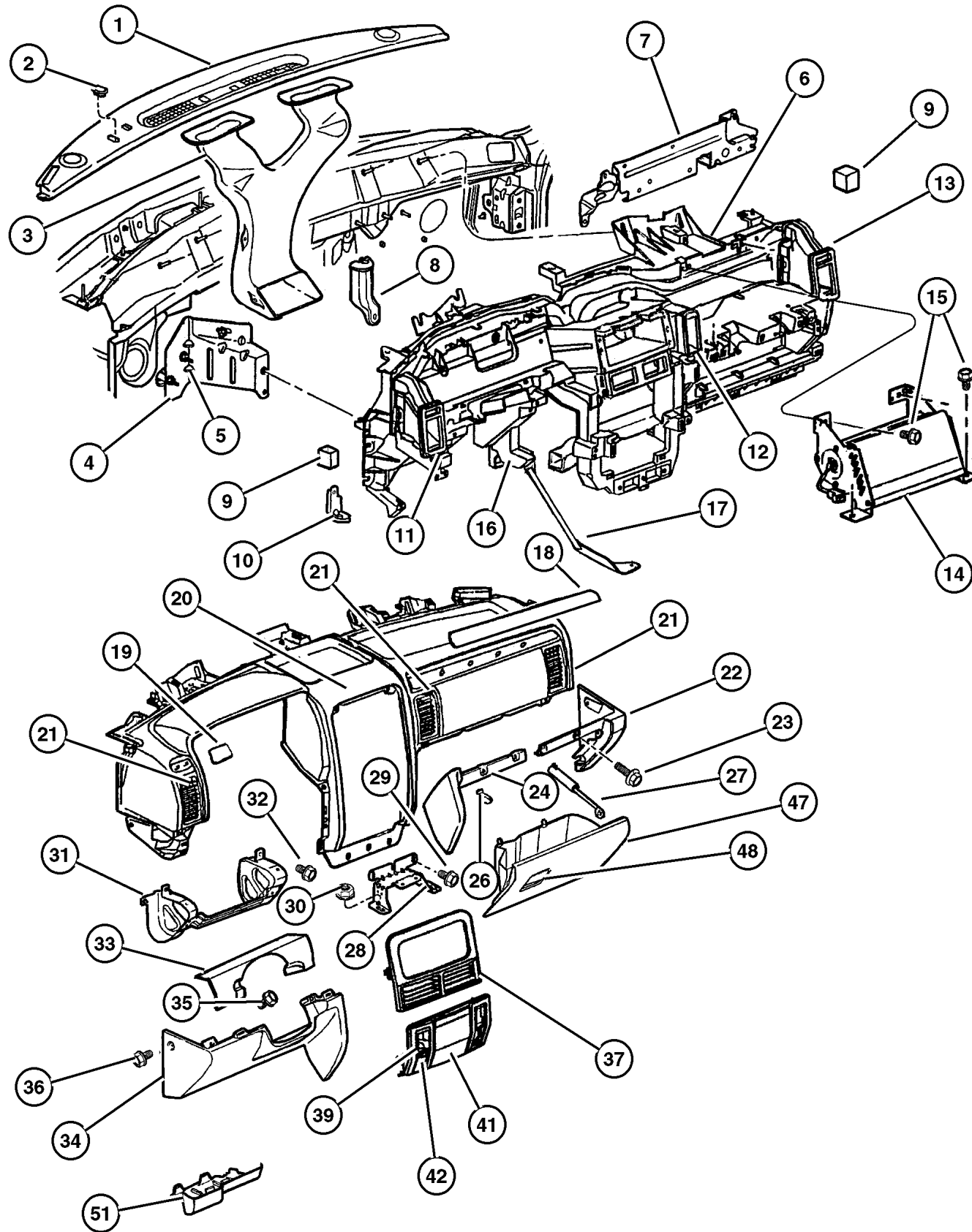
JEEP GRAND CHEROKEE (WJ)

SERIES	LINE	BODY	ENGINE	TRANSMISSION
H = Laredo	J = 4WD	74 = 4 Door	ERH = 4.0L, Power Tech I-6	DGK = 4 Speed Autm, 42RE
M = Sport	T = 2WD		EVA = 4.7L, Power Tech V8	DGQ = 5 Speed Automatic, 45RFE
P = Limited			EVC = 4.7L HO V8 MPI	DG0 = All Automatic Transm
S = Overland			ERO = All 4.0L 6 Cyl Gas	
			EVO = All 4.7I Gas	

AR = Use as required - = Non illustrated part # = New this model year

May 1, 2002

Instrument Panel Figure 08A-110



ITEM	PART NUMBER	QTY	LINE	BODY	DESCRIPTION
	5GZ12 1TMAB	1			[T5] (Inboard)
	5GZ13 1L8AB	1			[L5] (Left)
	5GZ13 1TMAB	1			[T5] (Left)
	5GZ14 1L8AB	1			[L5] (Right)
	5GZ14 1TMAB	1			[T5] (Right)
	5GZ12 1DVAB	1			[DB] [DV] (Inboard)
	5GZ13 1DVAB	1			[DB] [DV] Left
	5GZ14 1DVAB	1			[DB] [DV] Right
22					CAP, Instrument Panel End
	5EY42 WL5AD	1			[L5]
	5EY42 XDVAD	1			[DB]
		1			[DV]
		1			[DU]
	5EY42 XT5AD	1			[T5]
23	6032 723	6			SCREW, Self Tapping, M4.2x1.69x19.05
24					BEZEL, Instrument Panel
	5FU66 WL5AB	1			[L5] Lower Right Center
	5FU66 XT5AB	1			[T5] Lower Right Center
	5FU66 XDVAB	1			[DB] [DV] Lower Right Center
-25	6101 946	3			SCREW, Tapping
26					STRIKER, Glove Box Door Latch
	55116 374AA	1			Right
	55116 375AA	1			Left
27	55116 424AA	1			DAMPENER, Glove Box Door
28					BRACKET, Instrument Panel
	5511 6041	1			Up to 02/19/01
	55116 041AB	1			02/19/01 & After
29					SCREW, M6X1X25, (NOT SERVICED)
30	6504 572	2			NUT AND WASHER, Hex Nut-Coned Washer, M8 x 1.25
31	55116 391AA	1			BRACKET, Instrument Panel
32					SCREW, Self Tapping, M6x1x15, (NOT SERVICED)
33					BEZEL, Instrument Cluster
	5FZ23 WL8AD	1			[L5] without Adjustable Pedal
	5FZ23 XDVAD	1			[DV] without Adjustable Pedal
	5FZ23 XTMAAD	1			[T5] without Adjustable Pedal
	#5HK51 WL8AA	1			[L5] with Adjustable Pedal
	#5HK51 XDVAAD	1			[DV] with Adjustable Pedal
	#5HK51 XTMAAD	1			[T5] with Adjustable Pedal
34					COVER, Instrument Panel, Steering Column Opening
	5EY40 WL5AE	1			[L5]
	5EY40 XDVAE	1			[DB] [DV]
	5EY40 XT5AE	1			[T5]

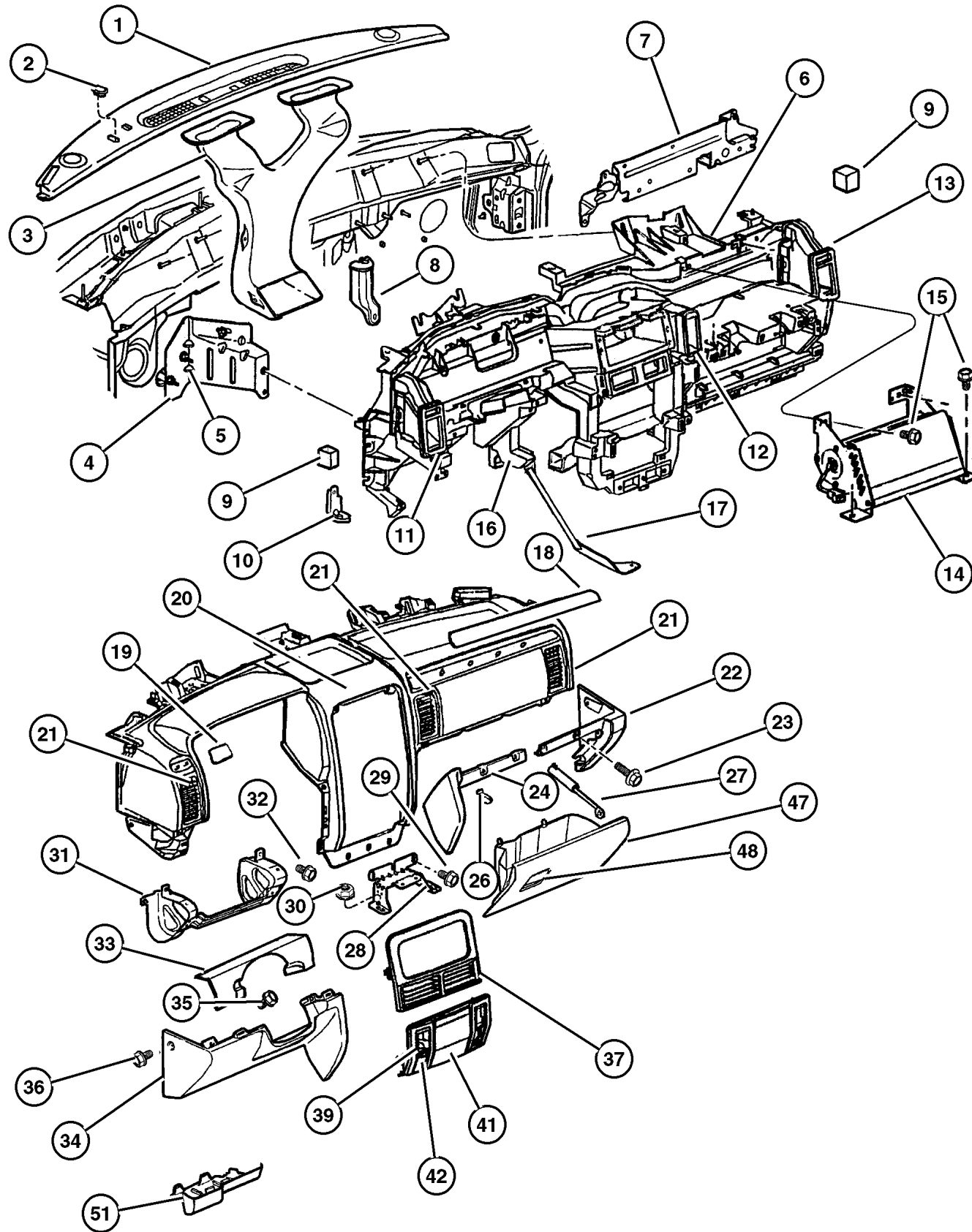
JEEP GRAND CHEROKEE (WJ)

SERIES	LINE	BODY	ENGINE	TRANSMISSION
H = Laredo	J = 4WD	74 = 4 Door	ERH = 4.0L, Power Tech I-6	DGK = 4 Speed Autm, 42RE
M = Sport	T = 2WD		EVA = 4.7L, Power Tech V8	DGQ = 5 Speed Automatic, 45RFE
P = Limited			EVC = 4.7L HO V8 MPI	DG0 = All Automatic Transm
S = Overland			ERO = All 4.0L 6 Cyl Gas	
			EVO = All 4.7I Gas	

AR = Use as required - = Non illustrated part # = New this model year

May 1, 2002

**Instrument Panel
Figure 08A-110**



ITEM	PART NUMBER	QTY	LINE	BODY	DESCRIPTION
35	6101 946	3			SCREW, Tapping
36	6032 723	6			SCREW, Self Tapping, M4.2x1.69x19.05
37	55116 479AB	1			BEZEL, Instrument Panel, Upper, Radio Bezel Opening Woodgrain (Spartan Burl)
	55116 506AA	1			Brush Aluminum
	#55116 519AB	1			Redwood
-38	55116 366AB	1			ADAPTER, A/C And Heater Unit
39	#5014 055AH	1			BEZEL, Instrument Panel, Lower Black
	#5019 799AB	1			Woodgrain (Spartan Burl)
	#55116 280AH	1			Black without Heated Seat
-40	6504 664	1			CLIP, Instrument Panel
41	5511 6061	1			RECEPTACLE, Ash Receiver
42	55116 273AA	1			DOOR, Power Outlet
-43	5269 360	1			HOOD, Ash Receiver Lamp
-44	4793 554	1			POWER OUTLET, Cigar Lighter
-45	4793 551	1			BASE, Cigar Lighter
-46	4793 555	2			RING, Cigar Lighter Mounting
47	5EY38 1L5AB	1			GLOVE BOX, Instrument Panel [L5]
	5EY38 1T5AB	1			[T5]
	5EY38 1DVAB	1			[DB] [DV]
48	5FK9 41T5	1			LATCH, Glovebox Door [T5]
	5FK9 4WL5	1			[L5]
	5FK9 41DV	1			[DB] [DV]
-49	4524 343	2			BUMPER, Glove Box Door
	55116 440AA	1			Glove Box Catch
-50	4565 022	1			SWITCH AND LAMP, Glove Box
51	55116 219AC	1			COVER, Fuse Access
	#55116 564AE	1			With Adjustable Pedal
-52	55196 762AA	1			PULLER, Fuse
-53	4595 748AA	1			LABEL, Air Bag Warning Glovebox Door (English)
	4595 749AA	1			Glovebox Door (Bilingual)
-54	4793 554	1			POWER OUTLET, Cigar Lighter, Quarter Trim Panel
-55	4685 370	1			KNOB AND ELEMENT, Cigar Lighter
-56	4685 591	1			CAP, Cigar Lighter
	5600 8852	1			Cap/Tether & Mount Ring (Cigar Lighter), Power Outlet Lighter

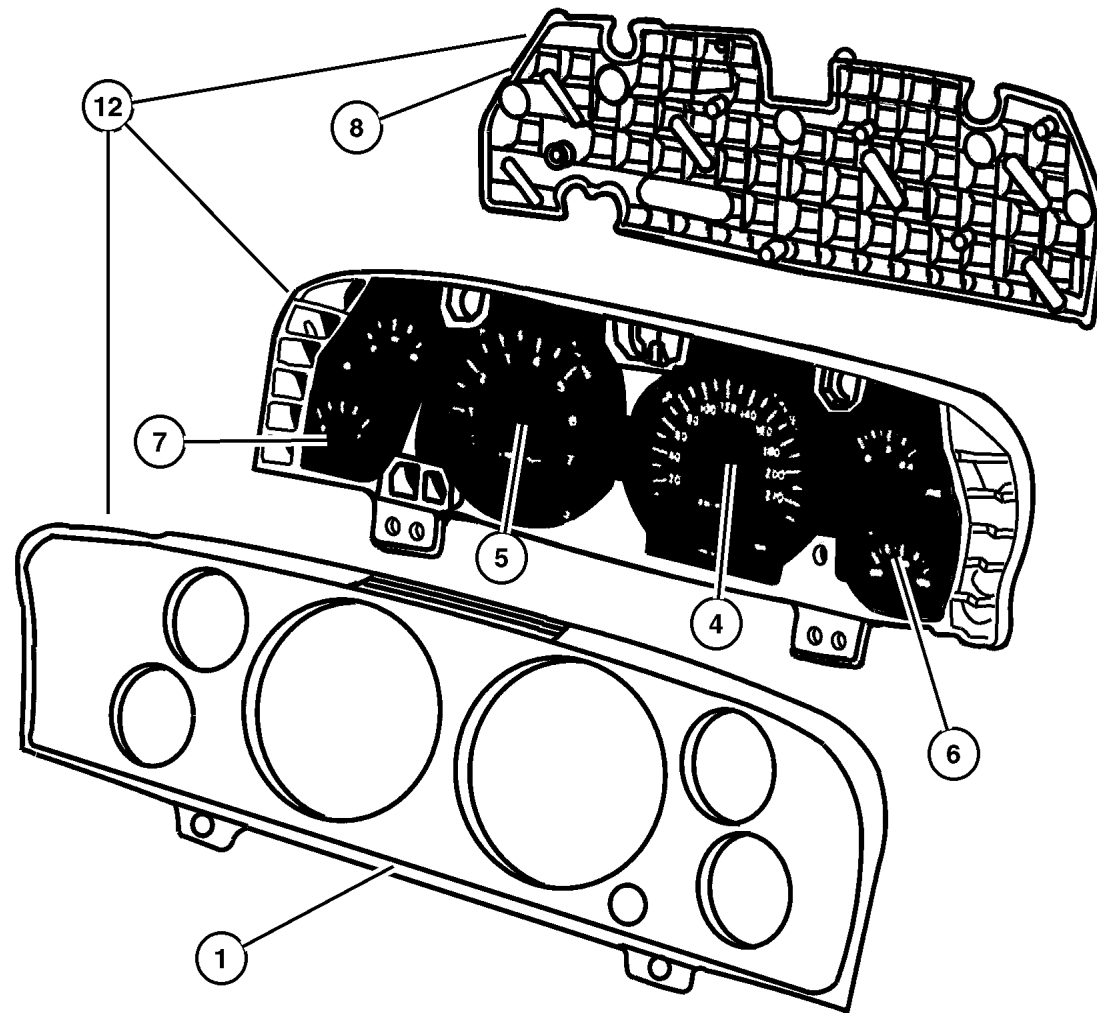
JEEP GRAND CHEROKEE (WJ)

SERIES	LINE	BODY	ENGINE	TRANSMISSION
H = Laredo	J = 4WD	74 = 4 Door	ERH = 4.0L, Power Tech I-6	DGK = 4 Speed Autm, 42RE
M = Sport	T = 2WD		EVA = 4.7L, Power Tech V8	DGQ = 5 Speed Automatic, 45RFE
P = Limited			EVC = 4.7L HO V8 MPI	DG0 = All Automatic Transm
S = Overland			ERO = All 4.0L 6 Cyl Gas	
			EVO = All 4.7I Gas	

AR = Use as required - = Non illustrated part # = New this model year

May 1, 2002

**Instrument Cluster
Figure 08A-210**



ITEM	PART NUMBER	QTY	LINE	BODY	DESCRIPTION
Notes: ake Shoe Return Spring Lower.					
[ER0]=4.0L 6 Cylinder Engine ake Shoe Return Spring Lower.					
[EVA]=4.7L Power Tech V8 Engine ake Shoe Return Spring Lower.					
[EVC]=4.7L Power Tech HO V8 Engine ake Shoe Return Spring Lower.					
1					LENS, Cluster
	#5073 267AA	1			[ER0] [EVA] Highline with 120 MPH Primary with Tach
	#5073 269AA	1			[ER0] [EVA] Premium with 120 MPH Primary with Tach
		1			[EVC] with 120 MPH Primary with Tach
	#5073 270AA	1			[ER0] [EVA] Highline with 220 KPH Primary with Tach
	#5073 271AA	1			[ER0] [EVA] Premium with 220 KPH Primary with Tach
		1			[EVC] with 220 KPH Primary with Tach
-2	L000 PC74	12			BULB, PC74
-3	5269 529	5			BULB, PC121
4					GAUGE, Speedometer, Serviced with Cluster Assembly , (NOT SERVICED)
5					GAUGE, Tachometer, Serviced with Cluster Assembly , (NOT SERVICED)
6					GAUGE, Temperature And Oil, Serviced with Cluster Assembly , (NOT SERVICED)
7					GAUGE, Fuel And Volt, Serviced with Cluster Assembly , (NOT SERVICED)
8					BOARD, Circuit, Serviced with Cluster Assembly, (NOT SERVICED)
-9	4638 220	1			KNOB, Odometer Reset
-10	6101 946	3			SCREW, Tapping
-11	6032 723	6			SCREW, Self Tapping, M4.2x1.69x19.05
12					CLUSTER, Complete Cluster Assembly w/Lens & Gauges
	#56042 902AD	1			[ER0] [EVA] Highline with 120 MPH Primary with Tach
	#56042 917AD	1			[ER0] [EVA] [EVC] Premium with 220 KPH Primary with Tach
					[EVC] with 220 KPH Primary with Tach
	#56042 996AD	1			[ER0] [EVA] Highline with 220 KPH Primary with Tach
	#56042 998AD	1			[ER0] [EVA] [EVC] Premium with 120 MPH Primary with Tach
	#56042 919AD	1			Tach

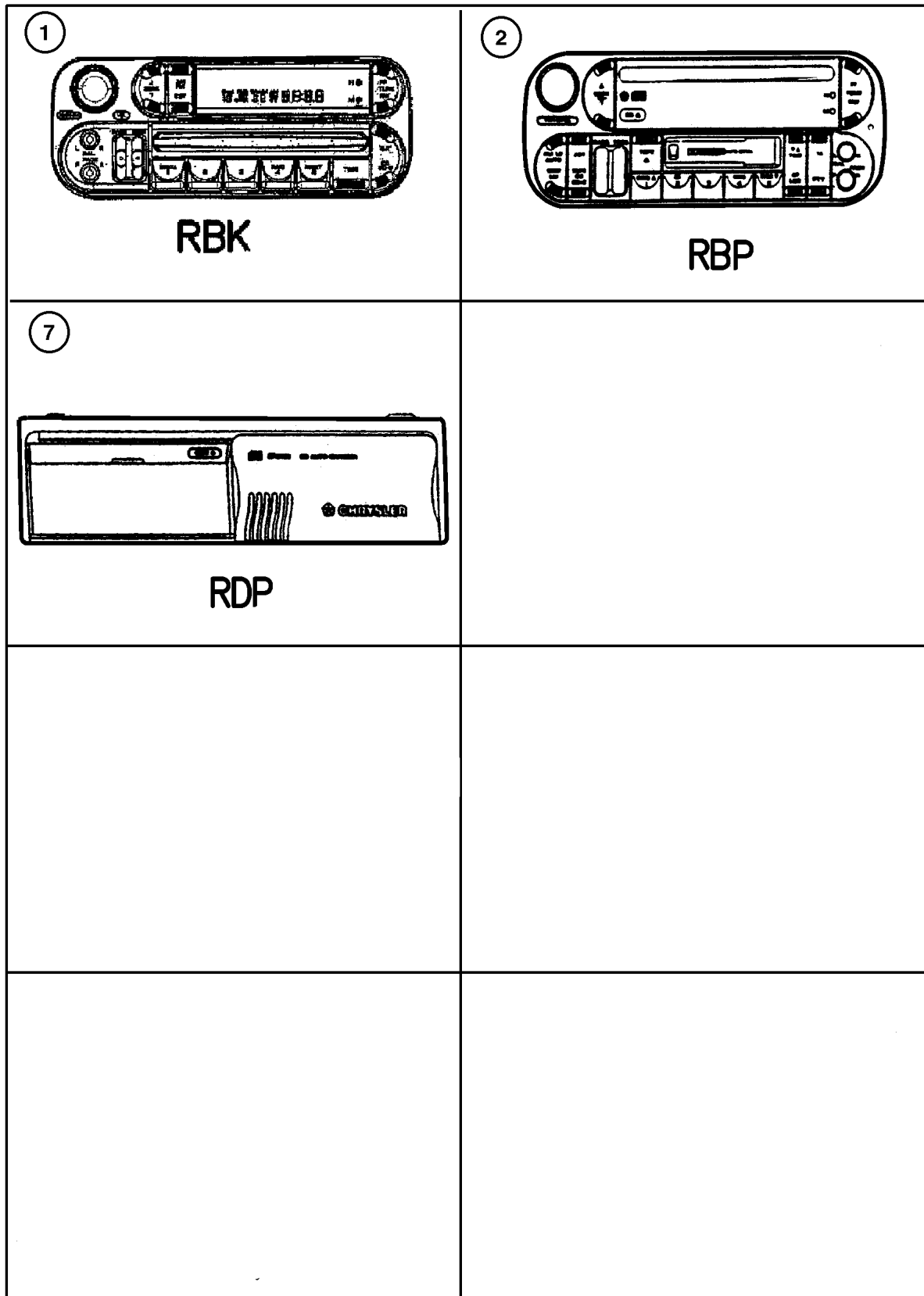
JEEP GRAND CHEROKEE (WJ)

SERIES	LINE	BODY	ENGINE	TRANSMISSION
H = Laredo	J = 4WD	74 = 4 Door	ERH = 4.0L, Power Tech I-6	DGK = 4 Speed Autm, 42RE
M = Sport	T = 2WD		EVA = 4.7L, Power Tech V8	DGQ = 5 Speed Automatic, 45RFE
P = Limited			EVC = 4.7L HO V8 MPI	DG0 = All Automatic Transm
S = Overland			ERO = All 4.0L 6 Cyl Gas	
			EVO = All 4.7l Gas	

AR = Use as required - = Non illustrated part # = New this model year

May 1, 2002

Radios
Figure 08A-310



ITEM	PART NUMBER	QTY	LINE	BODY	DESCRIPTION
------	-------------	-----	------	------	-------------

Notes: ake Shoe Return Spring Lower.

[RBK] = AM/FM with CD/Equalizer ake Shoe Return Spring Lower.

[RBP] = AM/FM Cassette/CD/CD Changer ake Shoe Return Spring Lower.

[RDP] = Disc Changer ake Shoe Return Spring Lower.

[ER0] = 4.0L Engine ake Shoe Return Spring Lower.

[EVO] = 4.7L Engine ake Shoe Return Spring Lower.

1	#56038 589AK	1			RADIO, AM/FM with CD and Equalizer, [RBK]
2	#56038 586AF	1			RADIO, AM/FM/Cassette With CD, [RBP]
-3	#56038 555AG	1			RADIO, AM/FM with CD and Cassette, [RAZ]
-4	#56038 583AH	1			RADIO, AM/FM/Cassette With CD, [RBY]
-5	#56038 583AH	1			RADIO, AM/FM/Cassette With CD, [RBY]
-6	#56038 588AK	1			RADIO, AM/FM/Cassette With CD Control, [RBB]
7	56042 129AG	1			CHANGER, CD, [RDP]
-8	#5080 971AA	1			CABLE, CD Changer, DIN
-9	6100 047	4			NUT AND WASHER, Hex Nut-Coned Washer, M6 x 1.00
-10	0154 552	1			SCREW, Hex Head, .190-16x.625
-11	6035 081	1			NUT, .25-20
-12					STRAP, Radio Noise Suppression
	56038 402AC	1			[EVO]
	56038 499AC	1			[ER0]
-13	6035 081	1			NUT, .25-20
-14	#56038 407AF	1			AMPLIFIER, Radio, [RCE] (Mounting Bracket Serviced with Amplifier)

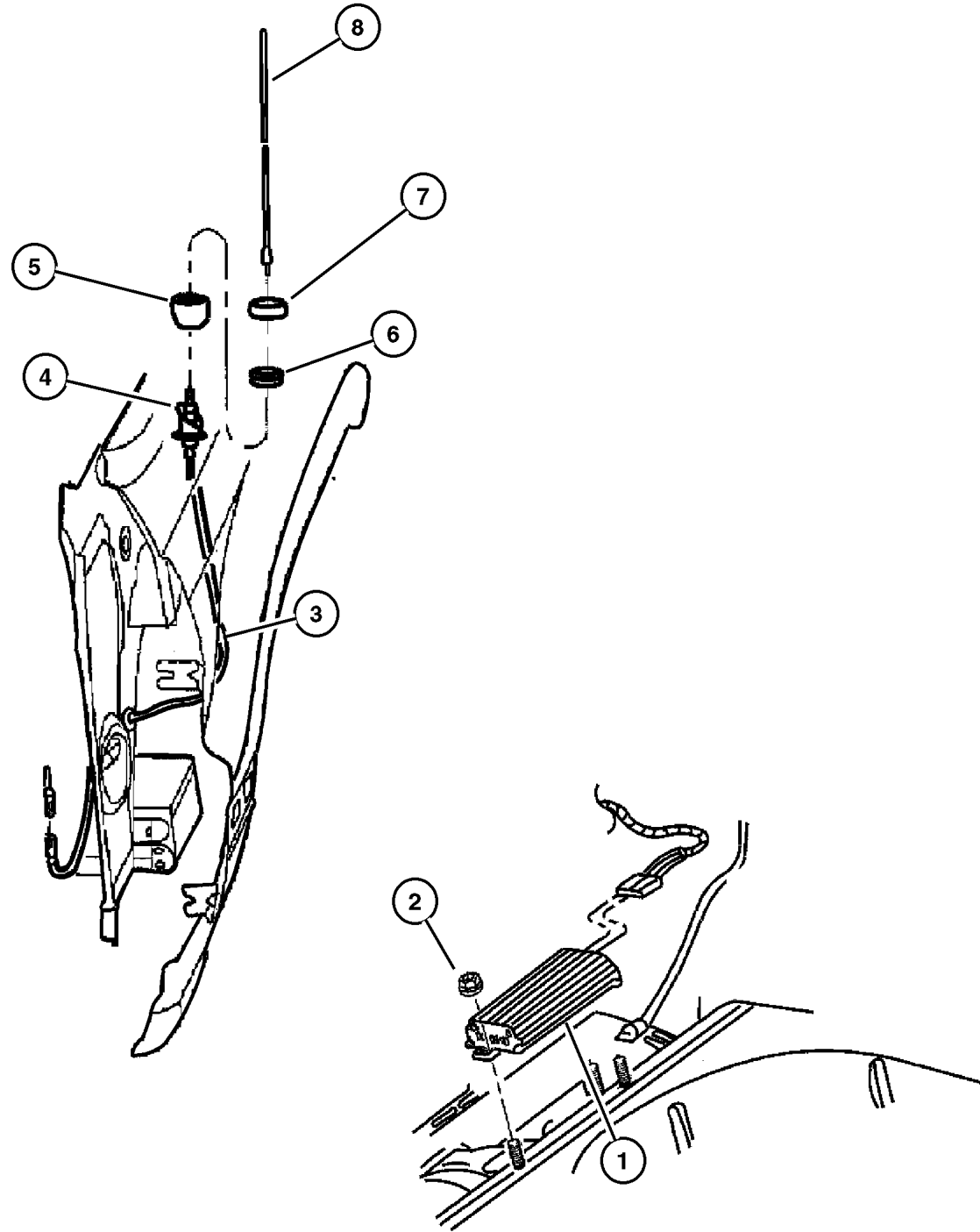
JEEP GRAND CHEROKEE (WJ)

SERIES	LINE	BODY	ENGINE	TRANSMISSION
H = Laredo	J = 4WD	74 = 4 Door	ERH = 4.0L, Power Tech I-6	DGK = 4 Speed Autm, 42RE
M = Sport	T = 2WD		EVA = 4.7L, Power Tech V8	DGQ = 5 Speed Automatic, 45RFE
P = Limited			EVC = 4.7L HO V8 MPI	DG0 = All Automatic Transm
S = Overland			ERO = All 4.0L 6 Cyl Gas	
			EVO = All 4.7L Gas	

AR = Use as required - = Non illustrated part # = New this model year

May 1, 2002

Antenna Figure 08A-320



ITEM	PART NUMBER	QTY	LINE	BODY	DESCRIPTION
Notes: ake Shoe Return Spring Lower.					
[RCE]= Infinity Speaker System ake Shoe Return Spring Lower.					
[RDD] = Antenna Fixed ake Shoe Return Spring Lower.					
[ER0] = 4.0L Engine ake Shoe Return Spring Lower.					
[EVO] = 4.7L Engine ake Shoe Return Spring Lower.					
1	#56038 407AE	1			AMPLIFIER, Radio, [RCE]
2	6100 048	1			NUT, Hex, M6x1.00
3	#56038 617AB	1			CABLE, Antenna, [RDD]
4	56038 412AB	1			BASE, Antenna, [RDD]
5	56009 375AB	1			ESCUTCHEON, Antenna, [RDD]
6	4685 301	1			CAP NUT, Antenna, Black, [RDD]
7	4685 498	1			SHROUD, Antenna Cap Nut, [RDD]
8	#4685 574AE	1			MAST, Antenna, [RDD] Spiral Ground (Bright)

JEEP GRAND CHEROKEE (WJ)				
SERIES	LINE	BODY	ENGINE	TRANSMISSION
H = Laredo	J = 4WD	74 = 4 Door	ERH = 4.0L, Power Tech I-6	DGK = 4 Speed Autm, 42RE
M = Sport	T = 2WD		EVA = 4.7L, Power Tech V8	DGQ = 5 Speed Automatic, 45RFE
P = Limited			EVC = 4.7L HO V8 MPI	DG0 = All Automatic Transm
S = Overland			ERO = All 4.0L 6 Cyl Gas	
			EVO = All 4.7I Gas	

AR = Use as required - = Non illustrated part # = New this model year

May 1, 2002

Speakers Figure 08A-325

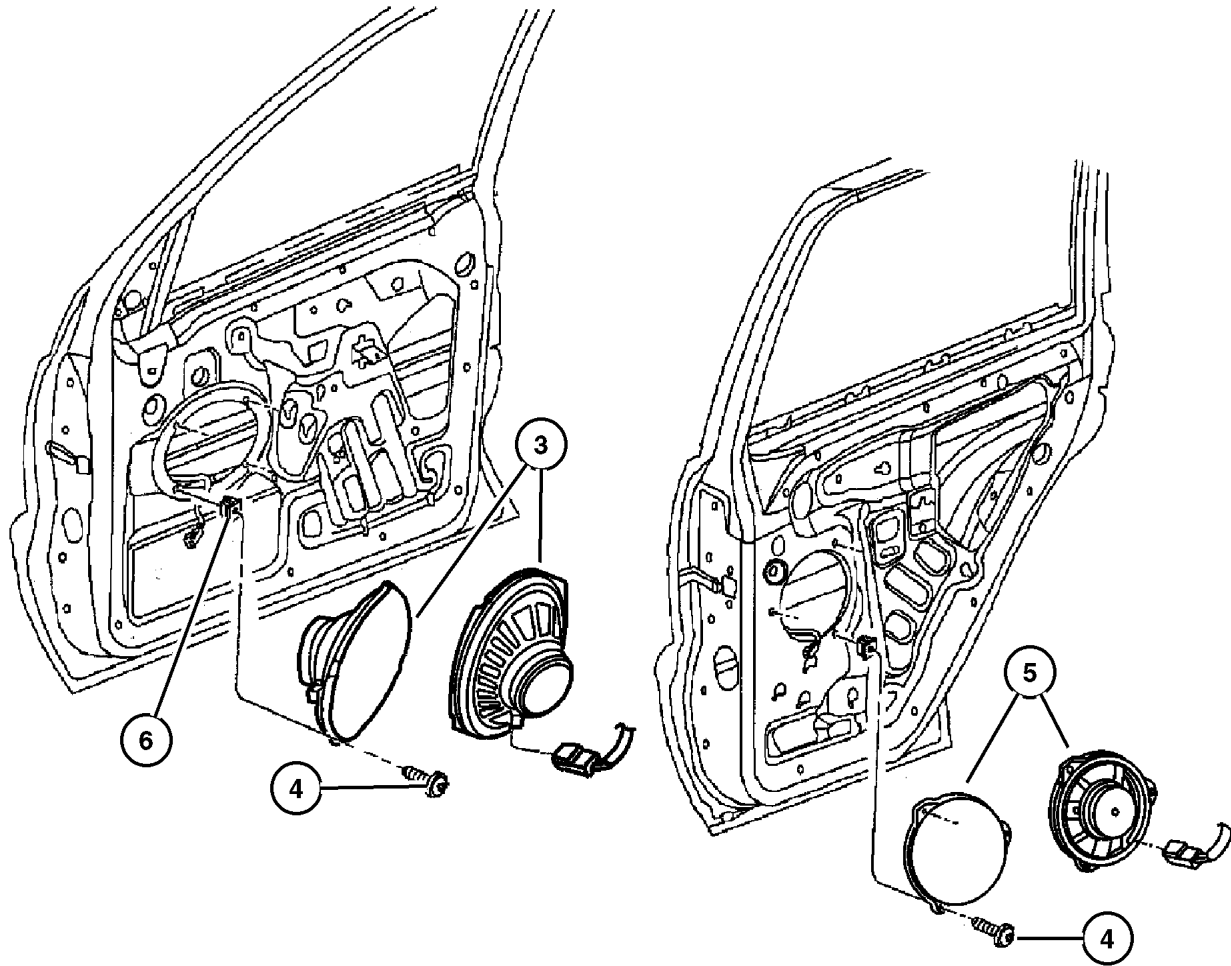
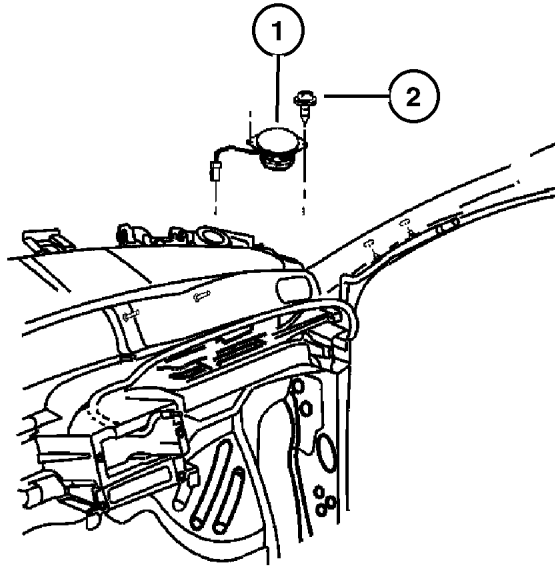
ITEM	PART NUMBER	QTY	LINE	BODY	DESCRIPTION
------	-------------	-----	------	------	-------------

Notes: ake Shoe Return Spring Lower.

[RCE]=Infinity Speaker System ake Shoe Return Spring Lower.

[RCG]=Standard Speaker System ake Shoe Return Spring Lower.

1	56038 411AC	2			SPEAKER, Instrument Panel, [RCE] Infinity
2	6101 946	3			SCREW, Tapping
3					SPEAKER, 6"X9"
	56042 131AB	2			[RCG] Standard
	56038 409AC	2			[RCE] Infinity
4					SCREW, (NOT SERVICED)
5					SPEAKER, 6.5"
	56038 408AC	2			[RCG] Standard
	56038 410AC	2			[RCE] Infinity
6	6036 098AA	8			NUT, Plastic Snap-in, [RCE] Infinity & [RCG] Standard
-7	56038 612AA	2			SPEAKER, Tweeter, [RCG] Standard
-8	5012 875AA	1			NAMEPLATE, Speaker Grille, Door Speaker



JEEP GRAND CHEROKEE (WJ)

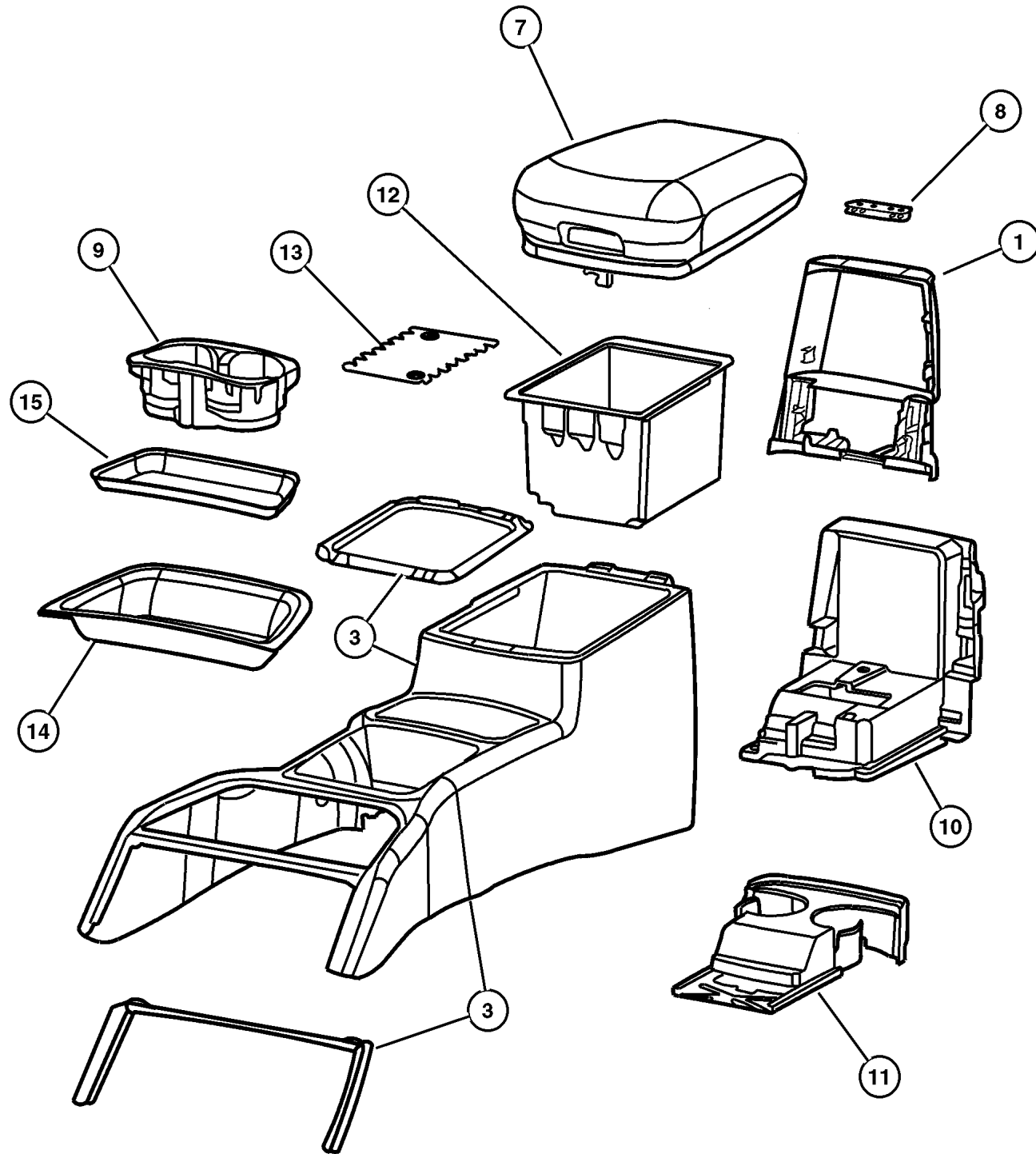
SERIES	LINE	BODY	ENGINE	TRANSMISSION
H = Laredo	J = 4WD	74 = 4 Door	ERH = 4.0L, Power Tech I-6	DGK = 4 Speed Autm, 42RE
M = Sport	T = 2WD		EVA = 4.7L, Power Tech V8	DGQ = 5 Speed Automatic, 45RFE
P = Limited			EVC = 4.7L HO V8 MPI	DG0 = All Automatic Transm
S = Overland			ERO = All 4.0L 6 Cyl Gas	
			EVO = All 4.7I Gas	

AR = Use as required - = Non illustrated part # = New this model year

May 1, 2002

**Floor Console
Figure 08A-410**

ITEM	PART NUMBER	QTY	LINE	BODY	DESCRIPTION
1					PANEL, Console
	QP97 WL5AA	1			[L5]
	QP97 XDVAA	1			[DV]
		1			[DB]
	QP97 XT5AA	1			[T5]
-2	5014 295AA	1			LATCH, Console Lock
3					CONSOLE, Base
	SH13 1AZAC	1			[DB]
	SH13 1DVAC	1			[DV]
	SH13 1L5AC	1			[L5]
	SH13 1T5AC	1			[T5]
-4	6032 452	5			SCREW, Self Piercing, .164-15x.625
-5	6032 838	2			CLIP, .500x.417x.500
-6	6034 319	2			CLIP, .453Wx.528LGx.017THK
7					LID, Floor Console Bin
	5FW58 1DVAC	1			[DV]
	5FW58 1L5AC	1			[L5]
	5FW58 1T5AC	1			[T5]
	#5HY07 1DBAA	1			[DB]
8	55196 773AA	1			HINGE, Floor Console Lid
9	55196 713AA	1			CUPHOLDER, Floor Console, Front
10	55196 718AC	1			PLATE, Floor Console
11					CUPHOLDER, Floor Console
	5GL54 1DVAC	1			[DV] Rear
		1			[DB] Rear
	5GL54 1L5AC	1			[L5] Rear
	5GL54 1T5AC	1			[T5] Rear
12	55196 664AB	1			BIN, Floor Console, with Mat
13	5519 6665	1			MAT, Storage Tray
14	55196 667AB	1			BIN, Floor Console
15	55196 669AB	1			MAT, Storage Tray
-16					SCREW, .164-18x.50, (NOT SERVICED)
-17	5066 456AA	2			BUMPER, Rubber
-18	#55196 912AA	1			BRACKET, Floor Console



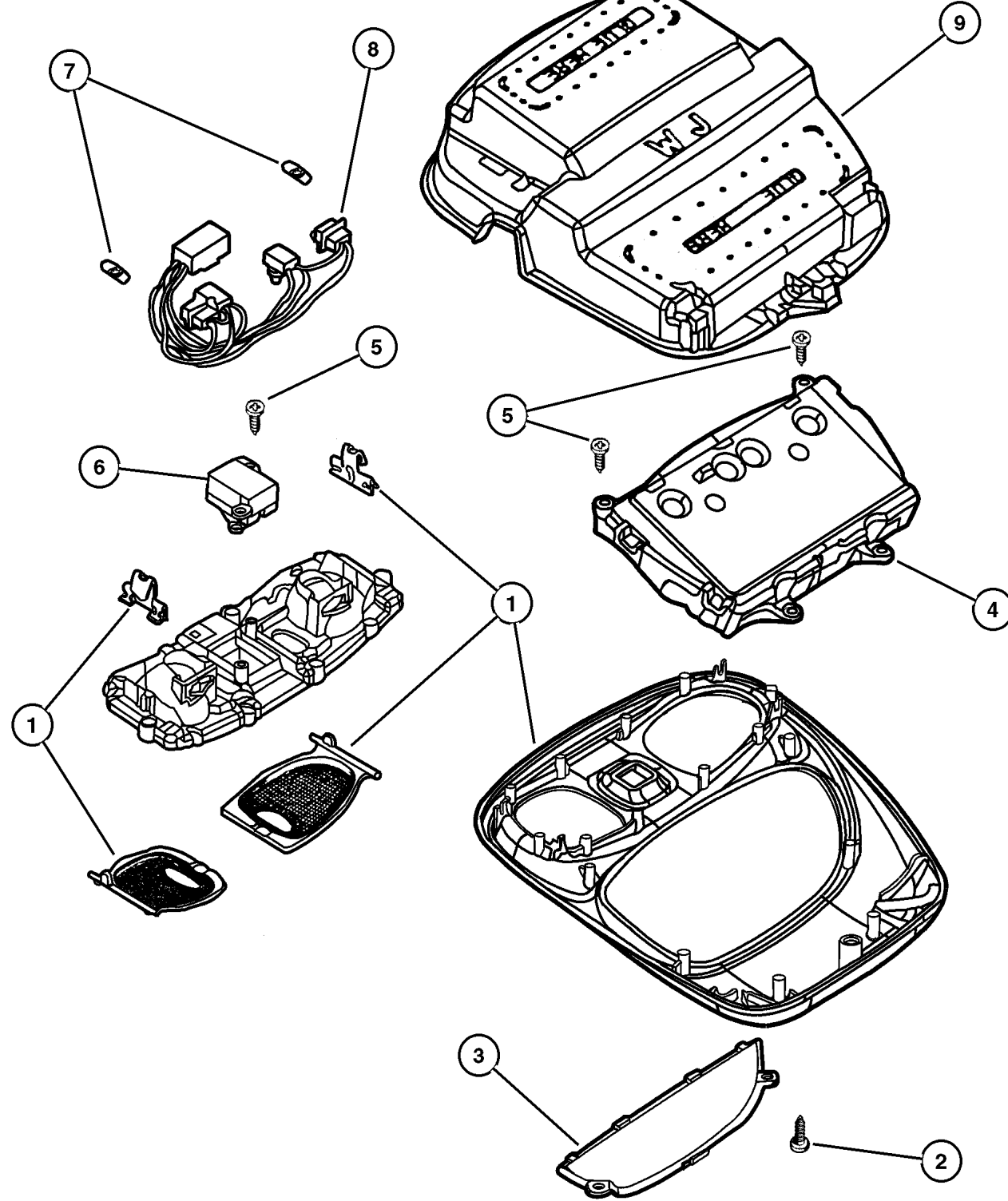
JEEP GRAND CHEROKEE (WJ)

SERIES	LINE	BODY	ENGINE	TRANSMISSION
H = Laredo	J = 4WD	74 = 4 Door	ERH = 4.0L, Power Tech I-6	DGK = 4 Speed Autm, 42RE
M = Sport	T = 2WD		EVA = 4.7L, Power Tech V8	DGQ = 5 Speed Automatic, 45RFE
P = Limited			EVC = 4.7L HO V8 MPI	DG0 = All Automatic Transm
S = Overland			ERO = All 4.0L 6 Cyl Gas	
			EVO = All 4.7I Gas	

AR = Use as required - = Non illustrated part # = New this model year

May 1, 2002

Overhead Console
Figure 08A-420



ITEM	PART NUMBER	QTY	LINE	BODY	DESCRIPTION
1					CONSOLE, Overhead Mini, Less Electronics
	SF61 1DBAA	1			[DB] Without Sunroof
	SF62 1DBAA	1			[DB] With Sunroof
	SF61 1L2AA	1			[DV] Without Sunroof
		1			[L5] Without Sunroof
	SF61 1T5AA	1			[T5] Without Sunroof
	SF62 1L2AA	1			[DV] With Sunroof
		1			[L5] With Sunroof
	SF62 1T5AA	1			[T5] With Sunroof
2					SCREW, .164-18x.500, (NOT SERVICED)
3	5012 882AA	1			LENS, Message Center
4					MODULE, Compass Temperature
	#56042 749AF	1			With Universal Garage Door Opener
	56042 754AF	1			Without Universal Garage Door Opener
	#56042 756AF	1			With Universal Garage Door Opener & Tire Pressure Monitor
5					SCREW, (NOT SERVICED)
6	5604 2064	1			SWITCH, 1 Gang
7	L000 0192	2			BULB, 192
8	55196 754AA	1			WIRING, Overhead Lighting
9	55196 782AB	1			RETAINER, Headliner

JEEP GRAND CHEROKEE (WJ)

SERIES	LINE	BODY	ENGINE	TRANSMISSION
H = Laredo	J = 4WD	74 = 4 Door	ERH = 4.0L, Power Tech I-6	DGK = 4 Speed Autm, 42RE
M = Sport	T = 2WD		EVA = 4.7L, Power Tech V8	DGQ = 5 Speed Automatic, 45RFE
P = Limited			EVC = 4.7L HO V8 MPI	DG0 = All Automatic Transm
S = Overland			ERO = All 4.0L 6 Cyl Gas	
			EVO = All 4.7I Gas	

AR = Use as required - = Non illustrated part # = New this model year

May 1, 2002

Group – 009

Engine Mounting

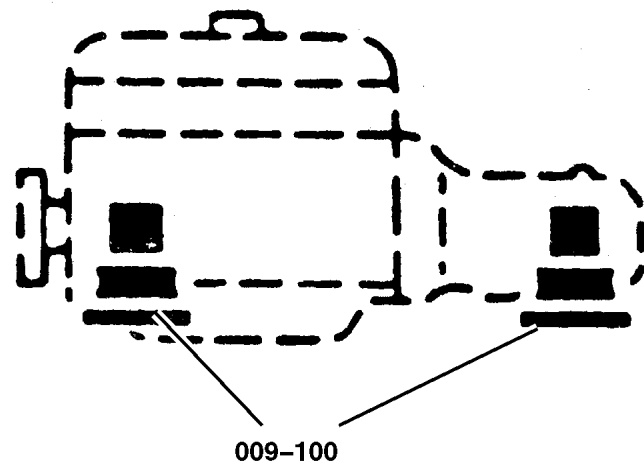
GROUP 9 - Engine Mounting

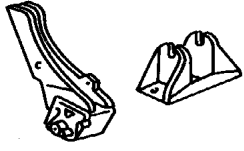
Illustration Title

Group-Fig. No.

Engine Mounting

Engine Mounting, Front, 4.0 [ERH]	Fig. 009-110
Engine Mounting, Rear, 4.0 [ERH]	Fig. 009-120
Engine Mounting, Front, 4.7 [EVA,EVC]	Fig. 009-130
Engine Mounting, Rear, 4.7 [EVA,EVC]	Fig. 009-140



<p>009-100 Engine Mounting</p> 			
---	--	--	--

**Engine Mounting, Front, 4.0 [ERH]
Figure 009-110**

ITEM	PART NUMBER	QTY	LINE	ENGINE	TRANS	DESCRIPTION
------	-------------	-----	------	--------	-------	-------------

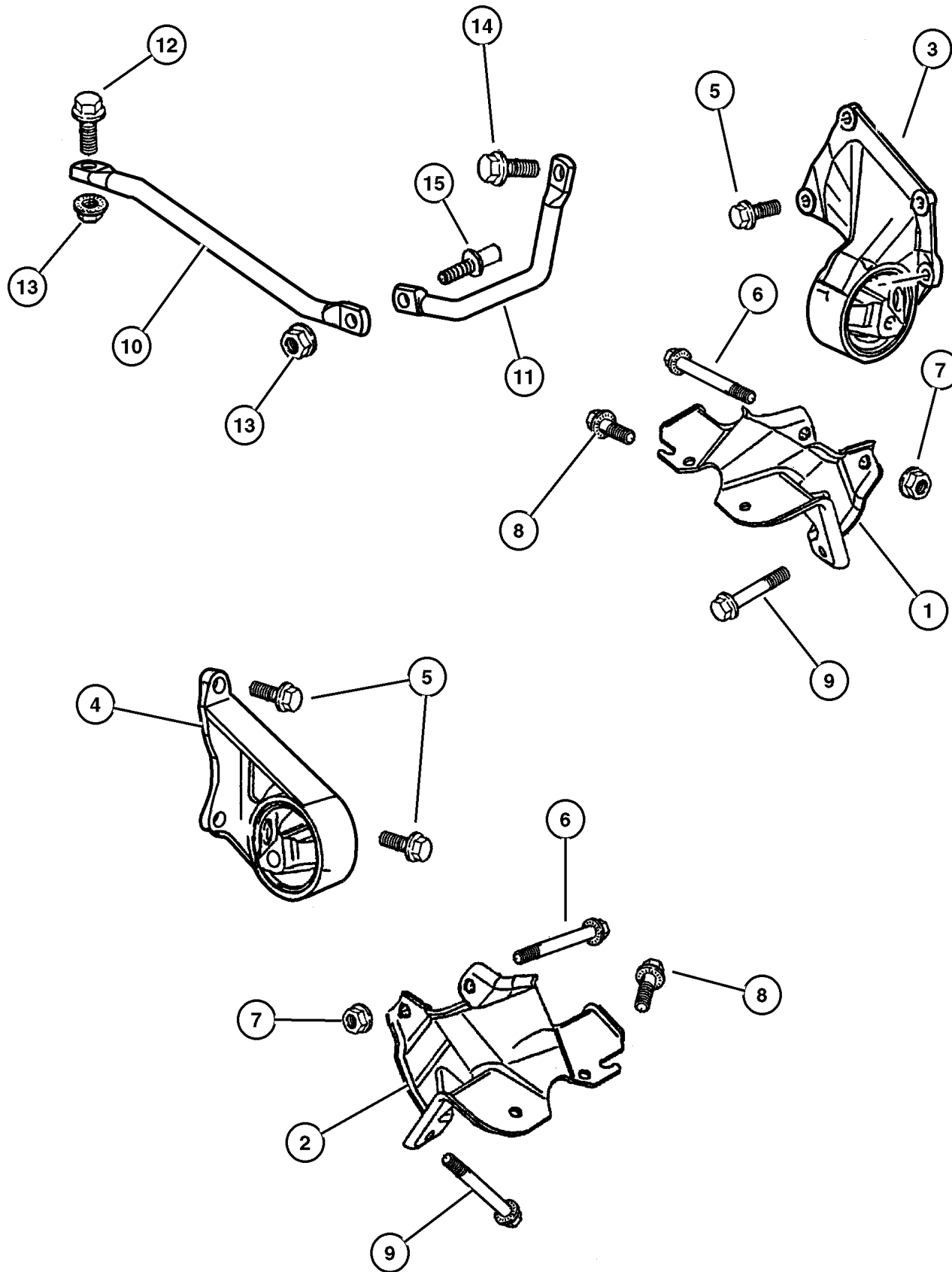
Note; Sales Codes ake Shoe Return Spring Lower.

[DG0]= All Automatic Transmissions ake Shoe Return Spring Lower.

[ER0]= All 4.0L Gas Engines ake Shoe Return Spring Lower.

[EVO]= All 4.7L Gas Engines ake Shoe Return Spring Lower.

1	52058 930AB	1		ER0, EVO		BRACKET, Engine Mount, Right
2	52058 931AC	1		ER0, EVO		BRACKET, Engine Mount, Left
3	5205 8928	1		ER0		INSULATOR, Engine Mount, Right
4	52058 929AB	1		ER0		INSULATOR, Engine Mount, Left
5	6503 699	7		ER0		SCREW AND WASHER, Hex Head, M10x1.5x28
6	3420 2606	2				BOLT, Hex Head
7	6502 697	2				NUT, Hex Flange Lock, M12x1.75
8	6503 119	4				SCREW AND WASHER, Hex Head, M10x1.5x40
9	6506 000AA	4				SCREW AND WASHER
10	5210 4202	1	J	ER0	DG0	BRACE, Bending Transmission, Bottom
11	5210 4204	1	J	ER0	DG0	BRACE, Bending Transmission
12	6022 266	1		ER0		SCREW, Hex Head, .375-16x1.5
13	6502 697	2				NUT, Hex Flange Lock, M12x1.75
14	6025 063	1	J	ER0	DG0	SCREW AND WASHER, .375-16x1.125
15	52104 250AA	1	J	ER0	DG0	BRACE, Bell Housing



JEEP GRAND CHEROKEE (WJ)

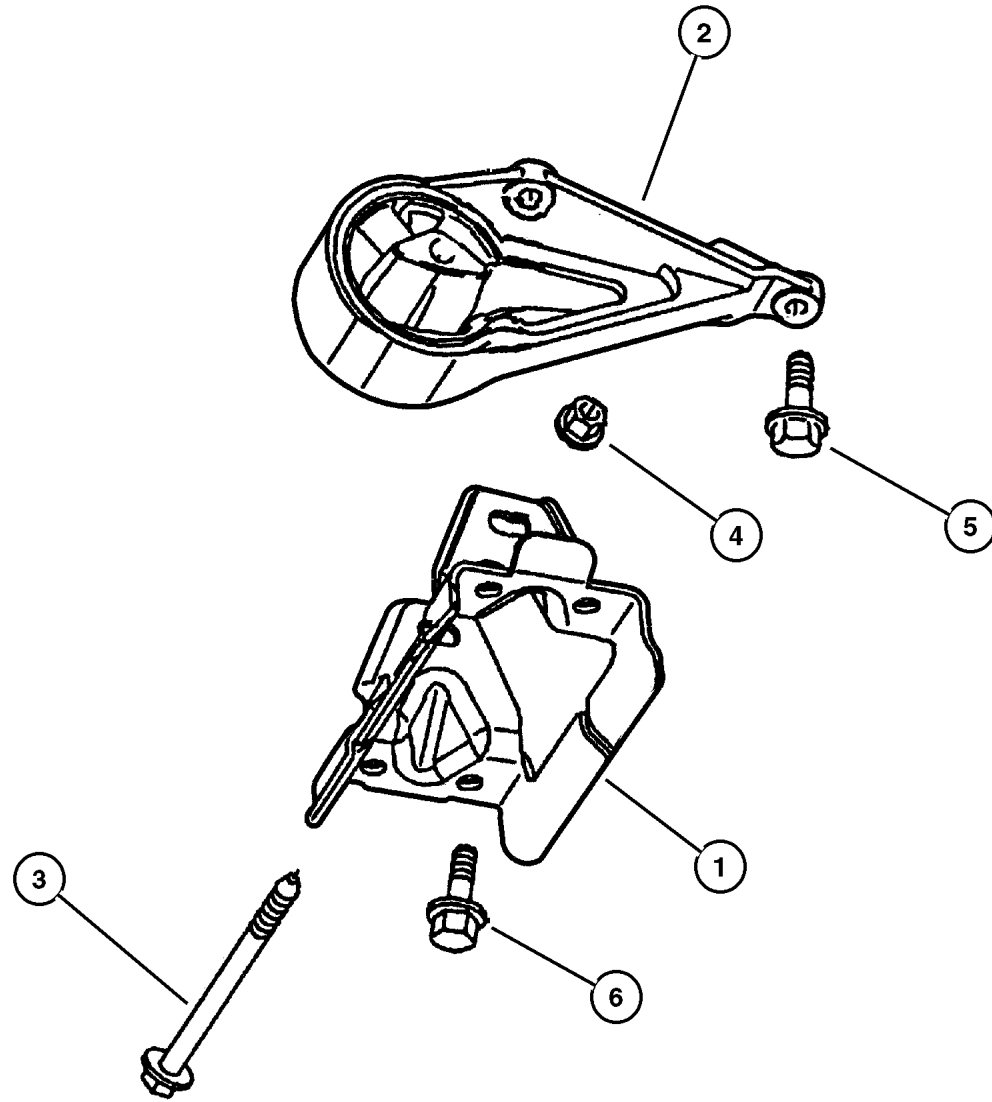
SERIES	LINE	BODY	ENGINE	TRANSMISSION
H = Laredo	J = 4WD	74 = 4 Door	ERH = 4.0L, Power Tech I-6	DGK = 4 Speed Autm, 42RE
M = Sport	T = 2WD		EVA = 4.7L, Power Tech V8	DGQ = 5 Speed Automatic, 45RFE
P = Limited			EVC = 4.7L HO V8 MPI	DG0 = All Automatic Transm
S = Overland			ERO = All 4.0L 6 Cyl Gas	
			EVO = All 4.7L Gas	

AR = Use as required - = Non illustrated part # = New this model year

May 1, 2002

**Engine Mounting, Rear, 4.0 [ERH]
Figure 009-120**

ITEM	PART NUMBER	QTY	LINE	ENGINE	TRANS	DESCRIPTION
Note; Sales Codes ake Shoe Return Spring Lower.						
[DGK]= 4 Speed Automatic Transmissions 42RE ake Shoe Return Spring Lower.						
[DG0]= All Automatic Transmissions ake Shoe Return Spring Lower.						
[ER0]= All 4.0L Gas Engines ake Shoe Return Spring Lower.						
[EVO]= All 4.7L Gas Engines ake Shoe Return Spring Lower.						
1	5205 8988	1		ER0		BRACKET, Insulator
2						MOUNT, Transmission
	5205 8995	1	T	ER0	DGK	
	5205 8994	1	J	ER0	DG0	
3	6504 681	1		ER0		BOLT
4	6502 697	1		ER0, EVO		NUT, Hex Flange Lock, M12x1.75
5	6033 358	4		ER0	DG0	SCREW AND WASHER, Hex Head Locking, .437-14x1.25
6	6506 000AA	4				SCREW AND WASHER

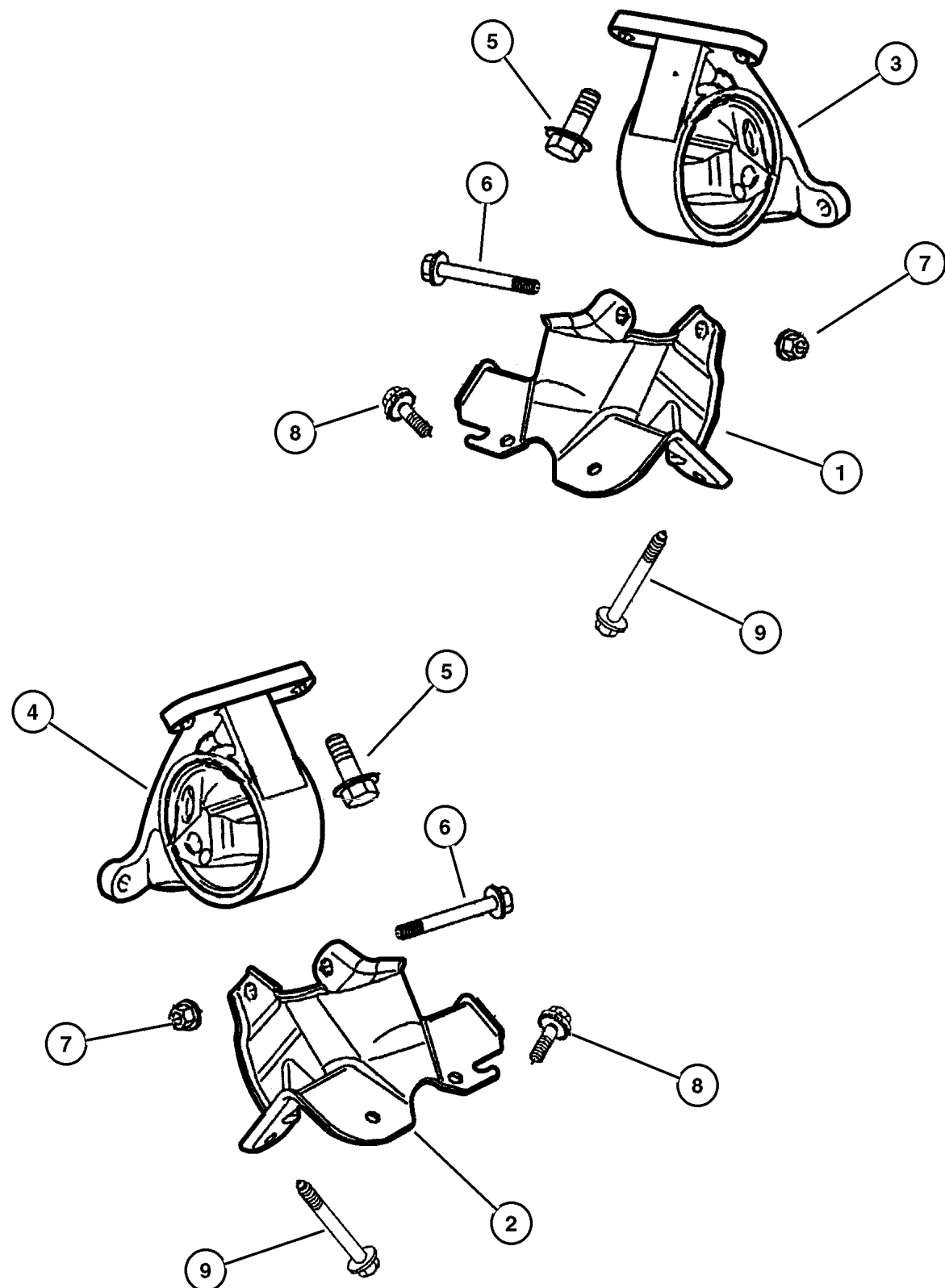


JEEP GRAND CHEROKEE (WJ)				
SERIES	LINE	BODY	ENGINE	TRANSMISSION
H = Laredo	J = 4WD	74 = 4 Door	ERH = 4.0L, Power Tech I-6	DGK = 4 Speed Autm, 42RE
M = Sport	T = 2WD		EVA = 4.7L, Power Tech V8	DGQ = 5 Speed Automatic, 45RFE
P = Limited			EVC = 4.7L HO V8 MPI	DG0 = All Automatic Transm
S = Overland			ERO = All 4.0L 6 Cyl Gas	
			EVO = All 4.7L Gas	

AR = Use as required - = Non illustrated part # = New this model year

May 1, 2002

**Engine Mounting, Front, 4.7 [EVA,EVC]
Figure 009-130**



ITEM	PART NUMBER	QTY	LINE	ENGINE	TRANS	DESCRIPTION
------	-------------	-----	------	--------	-------	-------------

Note; Sales Codes ake Shoe Return Spring Lower.

[ER0]= All 4.0L Gas Engines ake Shoe Return Spring Lower.

[EV0]= All 4.7L Gas Engines ake Shoe Return Spring Lower.

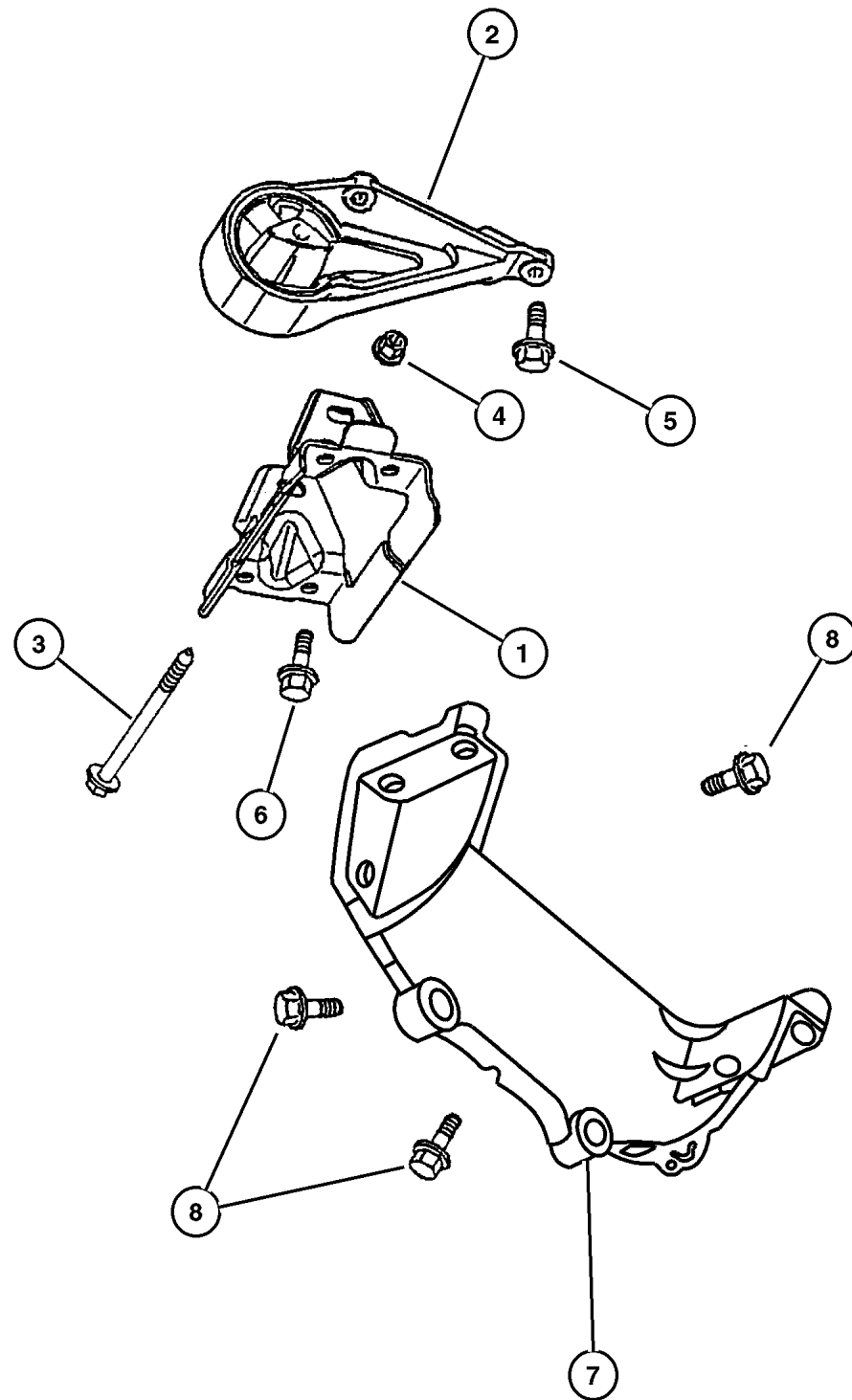
1	52058 930AB	1		ER0, EV0		BRACKET, Engine Mount, Right
2	52058 931AC	1		ER0, EV0		BRACKET, Engine Mount, Left
3	52058 936AC	1		EV0		INSULATOR, Engine Mount, Right
4	52058 937AC	1		EV0		INSULATOR, Engine Mount, Left
5	6503 699	8		EV0		SCREW AND WASHER, Hex Head, M10x1.5x28
6	3420 2606	2				BOLT, Hex Head
7	6502 697	2				NUT, Hex Flange Lock, M12x1.75
8	6503 119	4				SCREW AND WASHER, Hex Head, M10x1.5x40
9	6506 000AA	4				SCREW AND WASHER

JEEP GRAND CHEROKEE (WJ)				
SERIES	LINE	BODY	ENGINE	TRANSMISSION
H = Laredo	J = 4WD	74 = 4 Door	ERH = 4.0L, Power Tech I-6	DGK = 4 Speed Autm, 42RE
M = Sport	T = 2WD		EVA = 4.7L, Power Tech V8	DGQ = 5 Speed Automatic, 45RFE
P = Limited			EVC = 4.7L HO V8 MPI	DG0 = All Automatic Transm
S = Overland			ERO = All 4.0L 6 Cyl Gas	
			EVO = All 4.7l Gas	

AR = Use as required - = Non illustrated part # = New this model year

May 1, 2002

**Engine Mounting, Rear, 4.7 [EVA,EVC]
Figure 009-140**



ITEM	PART NUMBER	QTY	LINE	ENGINE	TRANS	DESCRIPTION
Note; Sales Codes ake Shoe Return Spring Lower.						
[DG0]= All Automatic Transmissions ake Shoe Return Spring Lower.						
[ER0]= All 4.0L Gas Engines ake Shoe Return Spring Lower.						
[EV0]= All 4.7L Gas Engines ake Shoe Return Spring Lower.						
1						BRACKET, Insulator
	5205 8992	1	T	EV0	DG0	
	5205 8988	1	J	EV0	DG0	
2						MOUNT, Transmission
	5205 8997	1	T	EV0	DG0	
	5205 8996	1	J	EV0	DG0	
3	6504 681	1		EV0		BOLT
4	6502 697	1		ER0, EV0		NUT, Hex Flange Lock, M12x1.75
5	6503 699	4	J	EV0	DG0	SCREW AND WASHER, Hex Head, M10x1.5x28
6	6506 000AA	4				SCREW AND WASHER
7	5302 0885	1		EV0	DG0	COVER, Bedplate
8	6101 985	8		EV0		SCREW AND WASHER, M10x1.50x45.00

JEEP GRAND CHEROKEE (WJ)				
SERIES	LINE	BODY	ENGINE	TRANSMISSION
H = Laredo	J = 4WD	74 = 4 Door	ERH = 4.0L, Power Tech I-6	DGK = 4 Speed Autm, 42RE
M = Sport	T = 2WD		EVA = 4.7L, Power Tech V8	DGQ = 5 Speed Automatic, 45RFE
P = Limited			EVC = 4.7L HO V8 MPI	DG0 = All Automatic Transm
S = Overland			ERO = All 4.0L 6 Cyl Gas	
			EVO = All 4.7L Gas	

AR = Use as required - = Non illustrated part # = New this model year

May 1, 2002

Group – 4.0L

Engine 4.0L Six Cylinder

GROUP 4.0L - Engine 4.0L Six Cylinder

Illustration Title

Group-Fig. No.

Cylinder Head

Cylinder Head, 4.0 [ERH] Fig. 4.0L-210

Cylinder Block

Cylinder Block, 4.0 [ERH] Fig. 4.0L-310

Crankshaft, Piston and Torque Converter

Crankshaft, Piston and Torque Converter, 4.0 [ERH] Fig. 4.0L-410

Camshafts & Valves

Camshaft and Valves, 4.0 [ERH] Fig. 4.0L-510

Timing Belt and Cover

Timing Belt and Cover, 4.0 [ERH] Fig. 4.0L-610

Engine Oiling

Engine Oiling, 4.0 [ERH] Fig. 4.0L-710

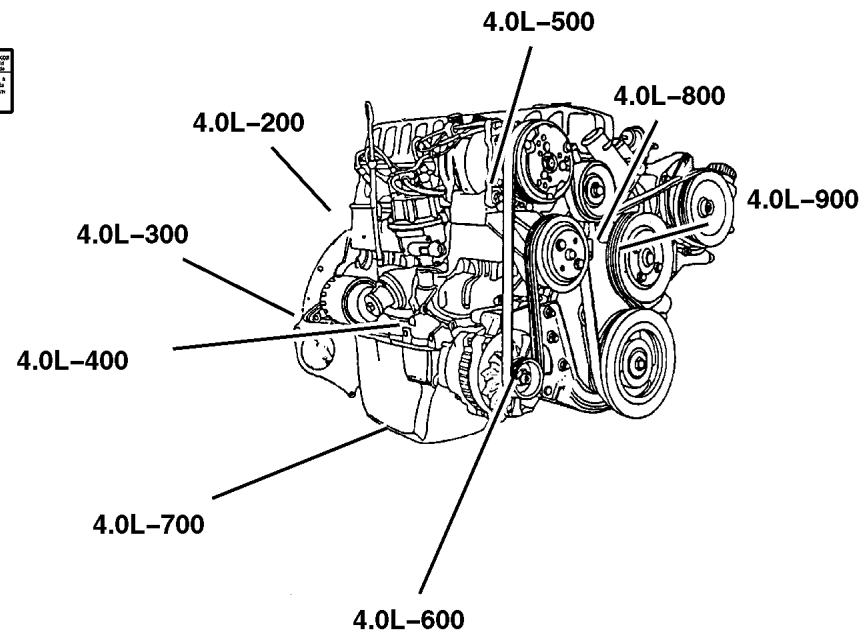
Manifolds

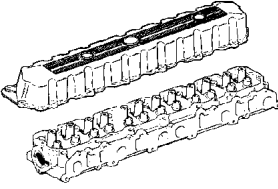
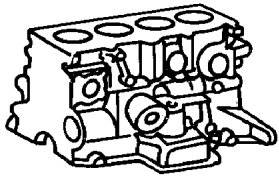
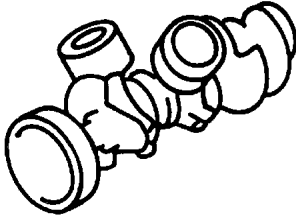
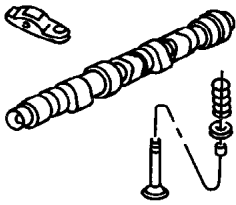
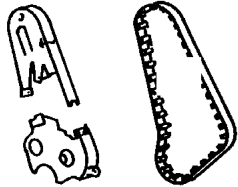
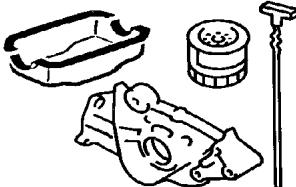
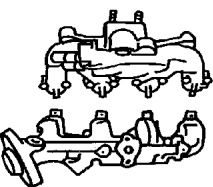
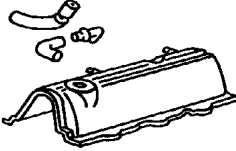
Manifold, Intake and Exhaust, 4.0 (ERH) Fig. 4.0L-810

Crankcase Ventilation

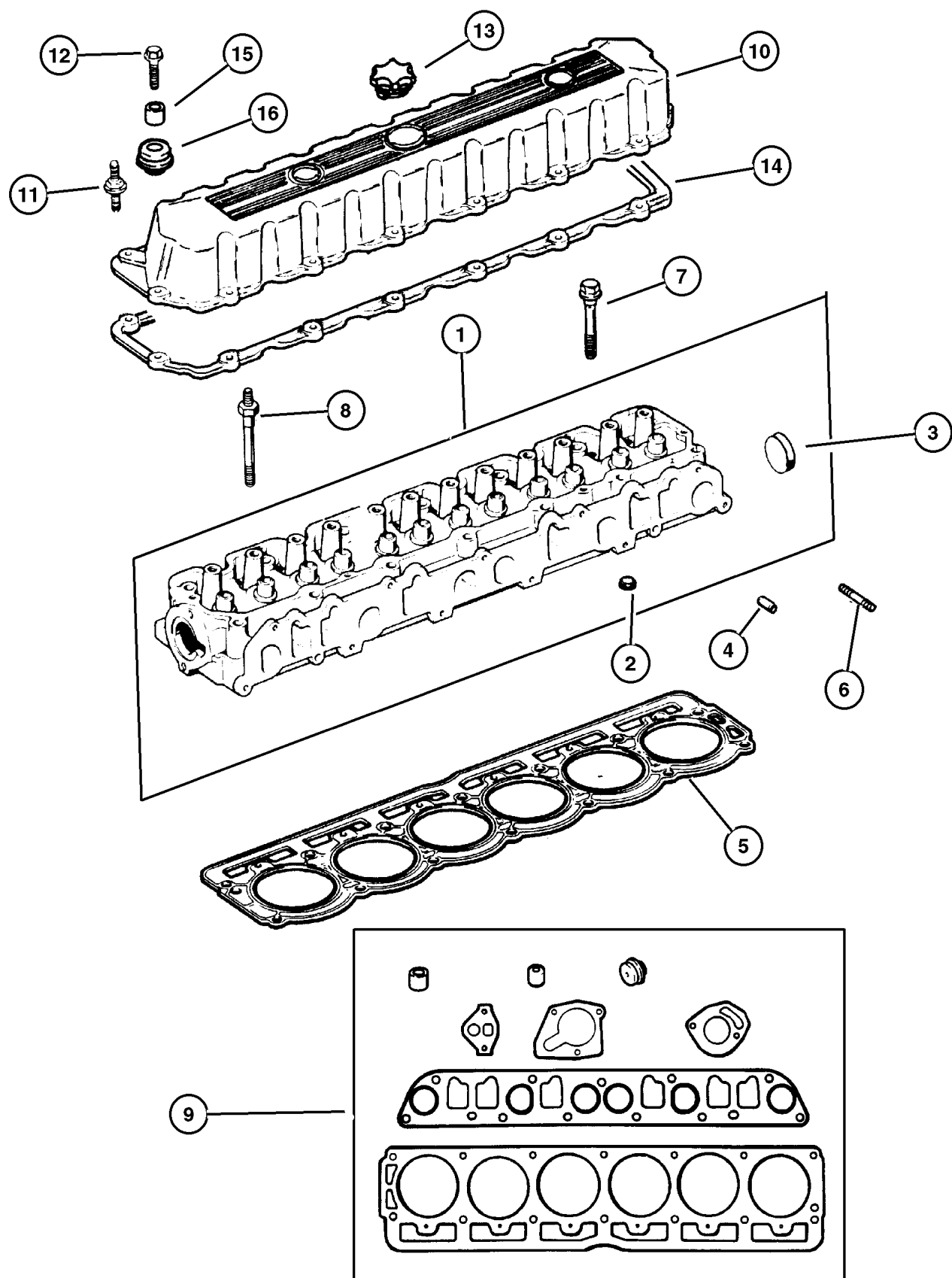
Crankcase Ventilation, 4.0 [ERH] Fig. 4.0L-910

REV.	DATE	BY	CHKD.	DESCRIPTION



<p>4.0L-200 Cylinder Head</p> 	<p>4.0L-300 Cylinder Block</p> 	<p>4.0L-400 Crankshaft, Piston and Torque Converter</p> 	<p>4.0L-500 Camshafts & Valves</p> 
<p>4.0L-600 Timing Belt and Cover</p> 	<p>4.0L-700 Engine Oiling</p> 	<p>4.0L-800 Manifolds</p> 	<p>4.0L-900 Crankcase Ventilation</p> 

**Cylinder Head, 4.0 [ERH]
Figure 4.0L-210**



ITEM	PART NUMBER	QTY	LINE	ENGINE	TRANS	DESCRIPTION
Note; Sales Codes ake Shoe Return Spring Lower.						
[ER0]= All 4.0L Gas Engines ake Shoe Return Spring Lower.						
1	5301 0334	1		ER0		HEAD, Cylinder
2	J400 7434	4		ER0		PLUG, Cylinder Block Oil Hole
3	J310 5394	1		ER0		PLUG, Cylinder Block Oil Hole
4	J317 2318	2		ER0		DOWEL, Cylinder Head To Intake
5	53020 754AB	1		ER0		GASKET, Cylinder Head
6	6036 193AA	2		ER0		STUD, .375-16/.375-24x1.75
7						BOLT, Cylinder Head
	6035 514	5		ER0		
	6035 515	2		ER0		
8	6035 516	6		ER0		STUD, Double Ended, .50-13/.437-14x6.00
9	5012 365AA	1		ER0		GASKET PACKAGE, Engine Upper
10	5302 0323	1		ER0		COVER, Cylinder Head
11	6035 968AA	7		ER0		STUD, .250-20x2.00
12	6035 566	8		ER0		BOLT, Hex Flange Head, .250-20x1.00
13	4648 831AA	1		ER0		CAP, Oil Filler
14	53020 758AC	1		ER0		GASKET, Valve Cover
15	53020 598AB	15		ER0		SLEEVE, Torque Limiter
16	53010 424AB	15		ER0		GROMMET, Insulator

JEEP GRAND CHEROKEE (WJ)				
SERIES	LINE	BODY	ENGINE	TRANSMISSION
H = Laredo	J = 4WD	74 = 4 Door	ERH = 4.0L, Power Tech I-6	DGK = 4 Speed Autm, 42RE
M = Sport	T = 2WD		EVA = 4.7L, Power Tech V8	DGQ = 5 Speed Automatic, 45RFE
P = Limited			EVC = 4.7L HO V8 MPI	DG0 = All Automatic Transm
S = Overland			ERO = All 4.0L 6 Cyl Gas	
			EVO = All 4.7I Gas	

AR = Use as required - = Non illustrated part # = New this model year

May 1, 2002

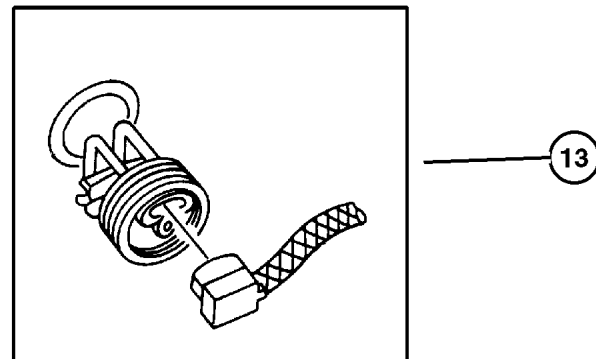
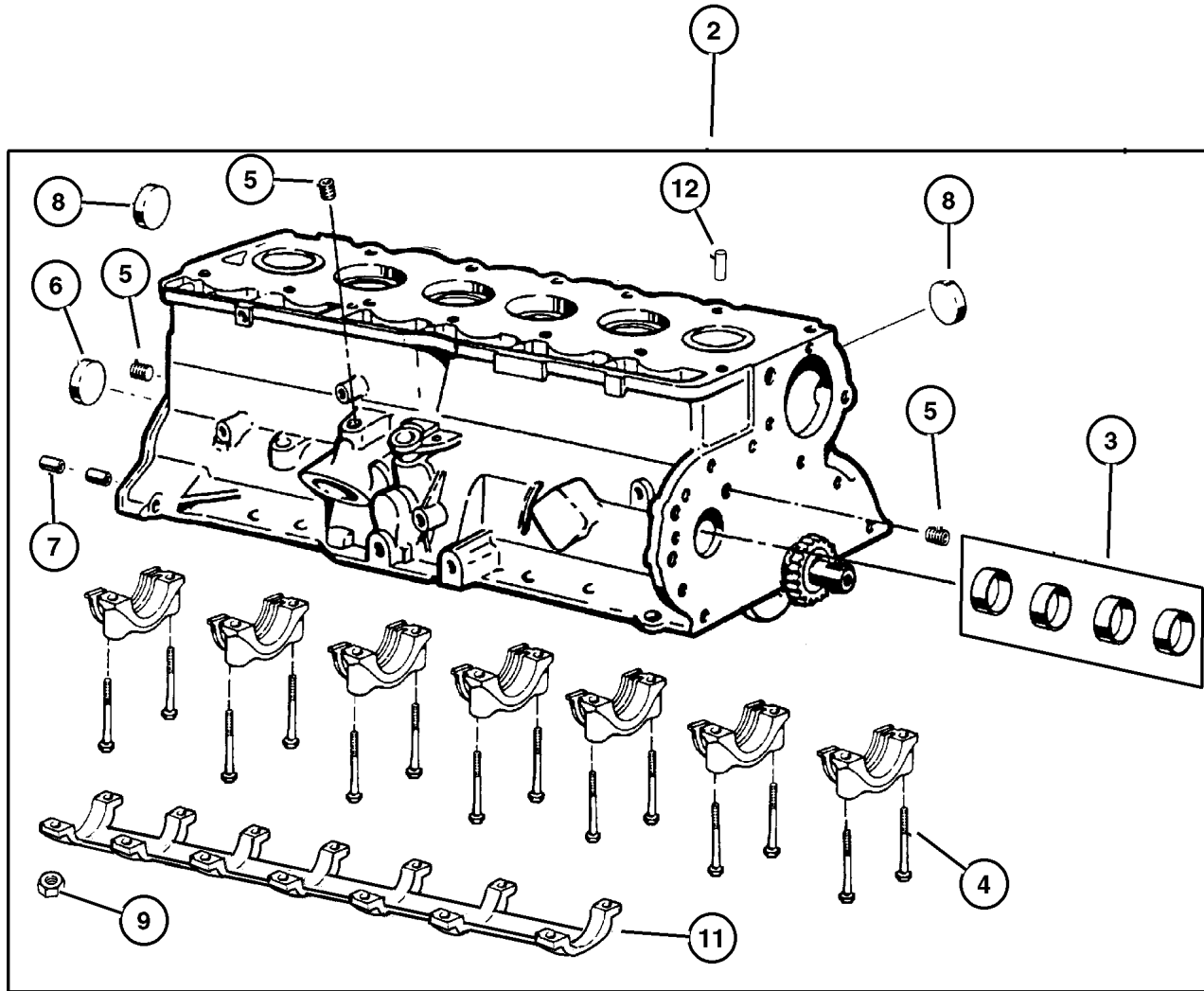
**Cylinder Block, 4.0 [ERH]
Figure 4.0L-310**

ITEM	PART NUMBER	QTY	LINE	ENGINE	TRANS	DESCRIPTION
------	-------------	-----	------	--------	-------	-------------

Note; Sales Codes ake Shoe Return Spring Lower.

[ER0]= All 4.0L Gas Engines ake Shoe Return Spring Lower.

-1	5017 432AA	1		ER0		GASKET PACKAGE, Engine Lower
2	5013 161AC	1		ER0		BLOCK, Short, Contains: Crank, Rods, Pistons, Rings, Cam Bearings, Timing Chain, Sprockets
3	4636 985AB	1		ER0		BEARING PACKAGE, Camshaft, Standard Size
4	6035 207	14		ER0		STUD, .500-13/.375-16x3.97
5	6034 166	3		ER0		PLUG, Cylinder Block Oil Hole
6	J317 2313	1		ER0		PLUG, Camshaft
7	J400 5148	2		ER0		DOWEL, Transmission
8	J310 5394	6		ER0		PLUG, Cylinder Block Oil Hole
9	0152 474	14		ER0		NUT, Hex Flange Lock, .375-16
-10	5302 0465	1		ER0		PLUG, Cylinder Block, Rubber Type
11	5302 0566	1		ER0		BRACE, Main Bearing Cap
12	0141 215	2		ER0		DOWEL, .312 x .500
13	8220 1506	1		ER0		HEATER PACKAGE, Engine Block



JEEP GRAND CHEROKEE (WJ)

SERIES	LINE	BODY	ENGINE	TRANSMISSION
H = Laredo	J = 4WD	74 = 4 Door	ERH = 4.0L, Power Tech I-6	DGK = 4 Speed Autm, 42RE
M = Sport	T = 2WD		EVA = 4.7L, Power Tech V8	DGQ = 5 Speed Automatic, 45RFE
P = Limited			EVC = 4.7L HO V8 MPI	DG0 = All Automatic Transm
S = Overland			ERO = All 4.0L 6 Cyl Gas	
			EVO = All 4.7I Gas	

AR = Use as required - = Non illustrated part # = New this model year

May 1, 2002

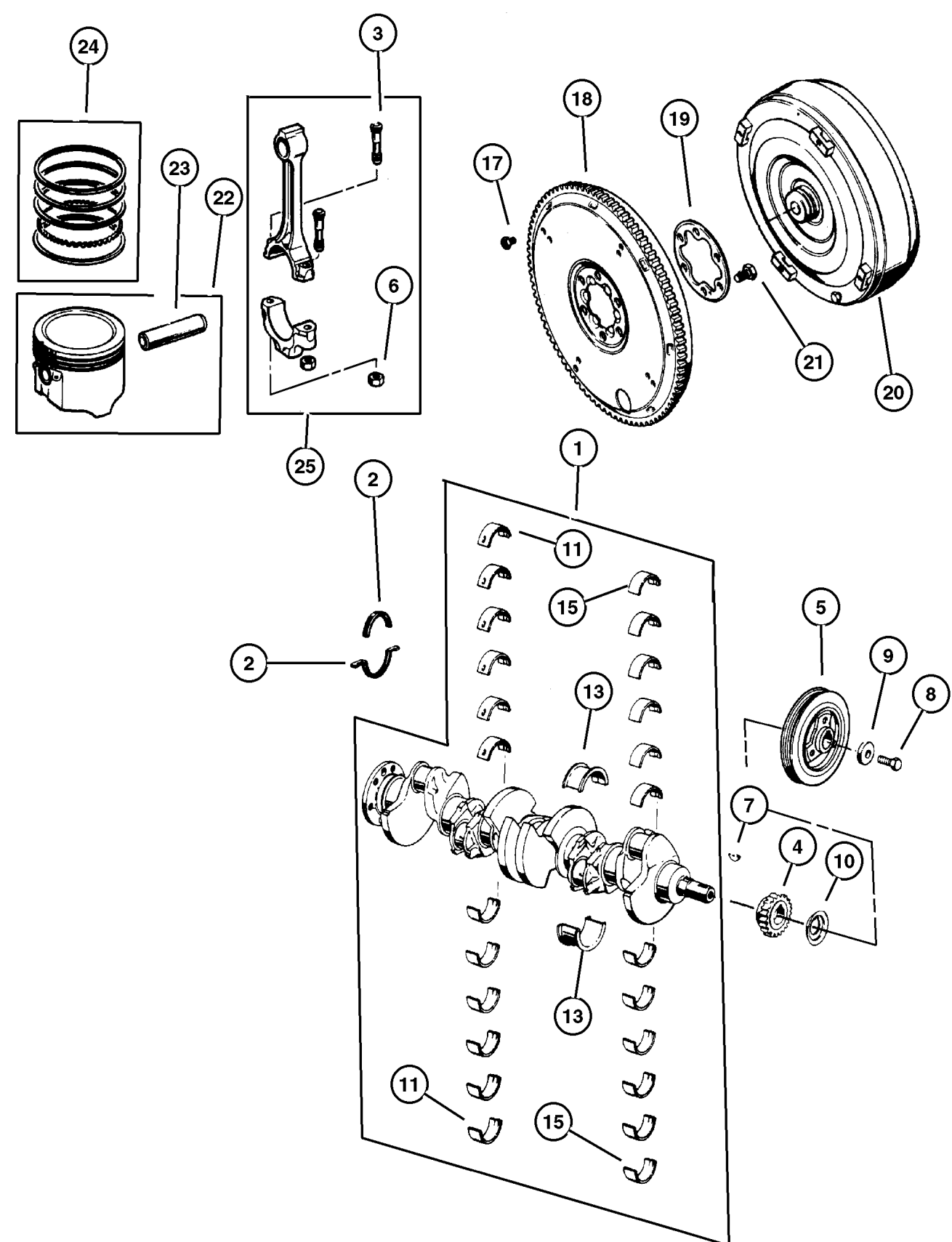
Crankshaft, Piston and Torque Converter, 4.0 [ERH] Figure 4.0L-410

ITEM	PART NUMBER	QTY	LINE	ENGINE	TRANS	DESCRIPTION
Note; Sales Codes ake Shoe Return Spring Lower.						
[DG0]= All Automatic Transmissions ake Shoe Return Spring Lower.						
[ER0]= All 4.0L Gas Engines ake Shoe Return Spring Lower.						
1	4864 726AB	1		ER0	DG0	CRANKSHAFT
2	5018 594AA	1		ER0		SEAL PACKAGE, Crankshaft
3	5302 0123	12		ER0		BOLT, Connecting Rod
4	5302 0443	1		ER0		GEAR, Crankshaft
5	33002 920AB	1		ER0		DAMPER, Crankshaft
6	J400 6385	12		ER0		NUT, Hex Flange, .3437-24
7	6034 749	1		ER0		KEY, Crankshaft Sprocket
8	0182 776	1		ER0		BOLT
9	J323 0155	1		ER0		WASHER, Plain
10						SLINGER, Oil, (NOT REQUIRED)
11	8350 7079	6		ER0		BEARING PACKAGE, Crankshaft, Standard
-12	8350 7080	AR		ER0		BEARING PACKAGE, Crankshaft, .001 Undersize
13	8350 7084	AR		ER0		BEARING PACKAGE, Crankshaft Thrust, Standard Size
-14	8350 7086	AR		ER0		BEARING PACKAGE, Crankshaft Thrust, .001" Undersize
15	83500 300AB	6		ER0		BEARING KIT, Connecting Rod, Standard
-16	83501 397AB	AR		ER0		BEARING KIT, Connecting Rod, .001 Undersize
17	1949 765	4			DG0	SCREW, Hex Head Header Point, .312-24x.44
18	#52104 410AA	1		ER0	DG0	PLATE, Drive Plate
19	J321 4094	1		ER0	DG0	PLATE, Drive Plate Backing
20	4736 596	1		ER0	DG0	TORQUE CONVERTER
21	J315 1407	6		ER0	DG0	BOLT, Hex Head, .50-20x.56
22						PISTON PIN AND ROD
	4798 329AC	6		ER0		B Size, 3.872
	4798 330AC	6		ER0		C Size, 3.8746
	4798 331AC	6		ER0		D Size, 3.8750
	4798 332AC	6		ER0		E Size, 3.8754
	4798 333AC	6		ER0		F Size, 3.8758
23						PIN, Piston, Serviced in Piston, (NOT SERVICED)
24	4798 878	1		ER0		RING PACKAGE, Piston, Standard Size Complete Engine
25						ROD, Connecting, Serviced in Piston, (NOT SERVICED)

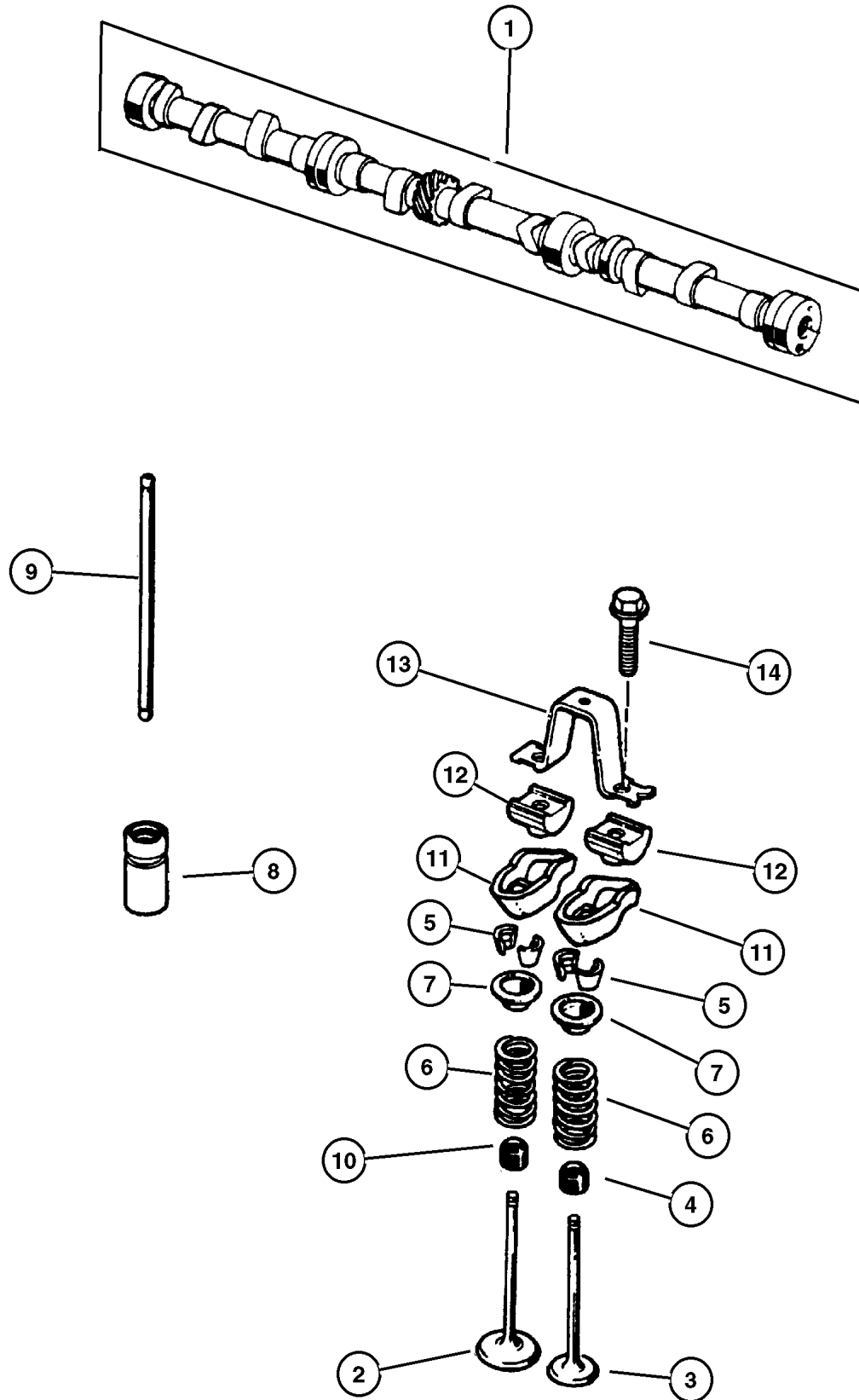
JEEP GRAND CHEROKEE (WJ)				
SERIES	LINE	BODY	ENGINE	TRANSMISSION
H = Laredo	J = 4WD	74 = 4 Door	ERH = 4.0L, Power Tech I-6	DGK = 4 Speed Autm, 42RE
M = Sport	T = 2WD		EVA = 4.7L, Power Tech V8	DGQ = 5 Speed Automatic, 45RFE
P = Limited			EVC = 4.7L HO V8 MPI	DG0 = All Automatic Transm
S = Overland			ER0 = All 4.0L 6 Cyl Gas	
			EVO = All 4.7I Gas	

AR = Use as required - = Non illustrated part # = New this model year

May 1, 2002



Camshaft and Valves, 4.0 [ERH]
Figure 4.0L-510



ITEM	PART NUMBER	QTY	LINE	ENGINE	TRANS	DESCRIPTION
Note; Sales Codes ake Shoe Return Spring Lower.						
[ER0]= All 4.0L Gas Engines ake Shoe Return Spring Lower.						
1	53010 448AA	1		ER0		CAMSHAFT
2	53010 512AA	6		ER0		VALVE, Intake, Standard
3	53010 513AA	6		ER0		VALVE, Exhaust, Standard
4	5300 9887	6		ER0		SEAL, Valve Guide, Exhaust
5	53010 515AA	24		ER0		LOCK, Valve Spring Retainer
6	5301 0388	12		ER0		SPRING, Valve
7	53010 514AA	12		ER0		RETAINER, Valve Spring
8	4740 269	12		ER0		TAPPET, Valve
9	3300 2986	12		ER0		PUSH ROD, Valve
10	5300 9886	6		ER0		SEAL, Valve Guide, Intake
11	J324 2393	12		ER0		ROCKER ARM, Valve
12	J323 5090	12		ER0		PIVOT, Rocker Arm
13	J323 6513	6		ER0		BRIDGE, Rocker Arm
14	J942 5708	12		ER0		BOLT, Hex Flange Head, .312-18x1.25

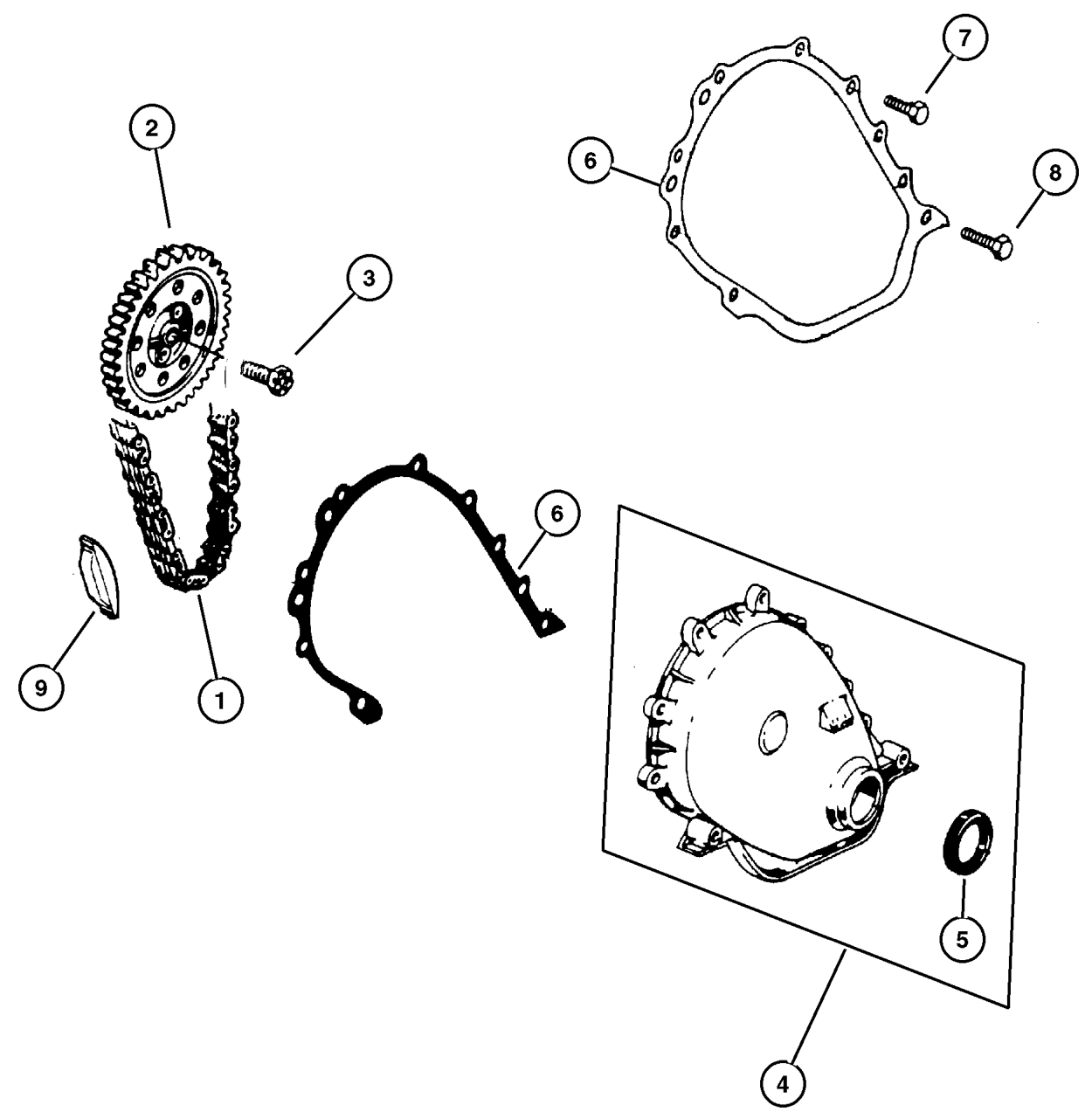
JEEP GRAND CHEROKEE (WJ)				
SERIES	LINE	BODY	ENGINE	TRANSMISSION
H = Laredo	J = 4WD	74 = 4 Door	ERH = 4.0L, Power Tech I-6	DGK = 4 Speed Autm, 42RE
M = Sport	T = 2WD		EVA = 4.7L, Power Tech V8	DGQ = 5 Speed Automatic, 45RFE
P = Limited			EVC = 4.7L HO V8 MPI	DG0 = All Automatic Transm
S = Overland			ERO = All 4.0L 6 Cyl Gas	
			EVO = All 4.7l Gas	

AR = Use as required - = Non illustrated part # = New this model year

May 1, 2002

**Timing Belt and Cover, 4.0 [ERH]
Figure 4.0L-610**

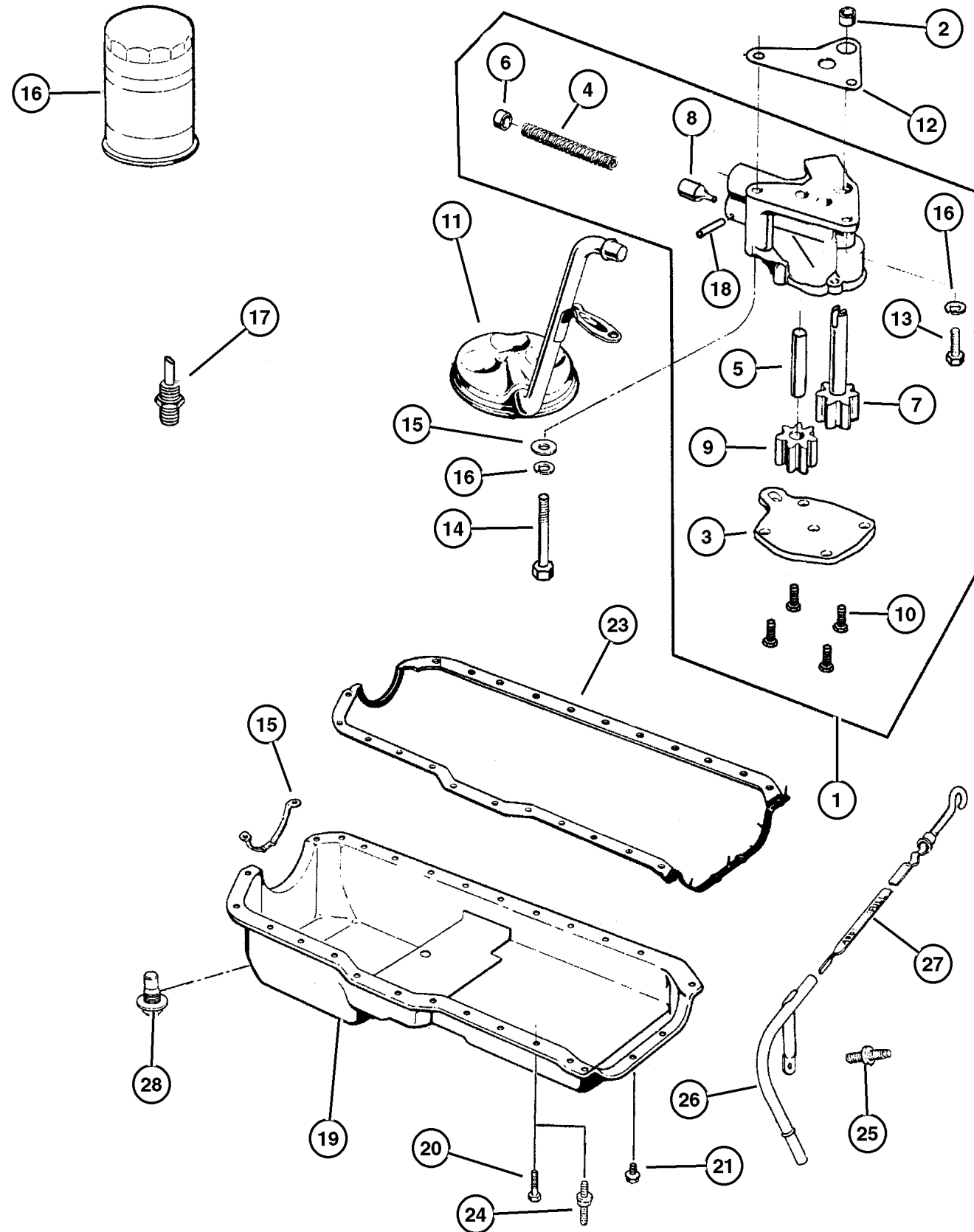
ITEM	PART NUMBER	QTY	LINE	ENGINE	TRANS	DESCRIPTION
Note; Sales Codes ake Shoe Return Spring Lower.						
[ER0]= All 4.0L Gas Engines ake Shoe Return Spring Lower.						
1	5302 0444	1		ER0		CHAIN, Timing
2	53010 557AA	1		ER0		SPROCKET, Camshaft
3	6024 030	1		ER0		SCREW AND WASHER, Hex
4	5301 0421	1		ER0		COVER, Timing Belt
5	3300 4681	1		ER0		SEAL, Front Main Crankshaft
6	5302 0487	1		ER0		GASKET, Front Cover
7	6035 893	5		ER0		BOLT, Hex
8						SCREW
	6035 894	2		ER0		.312-18x1.56
	6035 895	2		ER0		.250-20x1.240
9	3300 3446	1		ER0		SNUBBER, Timing Chain
-10	5301 0401	1		ER0		PLATE, Camshaft Thrust
-11	6035 975AA	2		ER0		SCREW, Pan Head



JEEP GRAND CHEROKEE (WJ)				
SERIES	LINE	BODY	ENGINE	TRANSMISSION
H = Laredo	J = 4WD	74 = 4 Door	ERH = 4.0L, Power Tech I-6	DGK = 4 Speed Autm, 42RE
M = Sport	T = 2WD		EVA = 4.7L, Power Tech V8	DGQ = 5 Speed Automatic, 45RFE
P = Limited			EVC = 4.7L HO V8 MPI	DG0 = All Automatic Transm
S = Overland			ERO = All 4.0L 6 Cyl Gas	
			EVO = All 4.7l Gas	

AR = Use as required - = Non illustrated part # = New this model year May 1, 2002

**Engine Oiling, 4.0 [ERH]
Figure 4.0L-710**



ITEM	PART NUMBER	QTY	LINE	ENGINE	TRANS	DESCRIPTION
Note; Sales Codes ake Shoe Return Spring Lower.						
[ER0]= All 4.0L Gas Engines ake Shoe Return Spring Lower.						
1	J324 1399	1		ER0		PUMP, Engine Oil
2	J400 5149	1		ER0		DOWEL, Oil Pump
3	J324 1733	1		ER0		COVER, Engine Oil Pump
4	J323 9668	1		ER0		SPRING, Oil Pressure Relief Valve
5	J317 1956	1		ER0		SHAFT, Oil Pump
6	J317 1958	1		ER0		RETAINER, Oil Release Valve
7	J317 2334	1		ER0		GEAR, Oil Pump
8	J318 8661	1		ER0		PLUNGER, Oil Pressure Relief Valve
9	J319 6843	1		ER0		GEAR, Oil Pump Driven
10	J941 6852	4		ER0		SCREW, Hex Flange Head, .25-20x.50
11	3300 2696	1		ER0		TUBE, Oil Pump Inlet
12	J317 2332	1		ER0		GASKET, Oil Pump
13	6022 235	1		ER0		BOLT AND WASHER, Hex Head, .312-18x1.00
14	0154 593	1		ER0		SCREW, Hex Head Coned, .312-18x2.625
15	53010 511AA	1		ER0		SUPPORT, Engine Oil Pan
16	5281 090	1		ER0		FILTER, Engine Oil
17	5300 7563	1		ER0		CONNECTOR, Oil Filter
18	J027 1448	1		ER0		PIN, Roll, 5/32" x 1.00"
19	5301 0340	1		ER0		PAN, Engine Oil
20	6034 732	14		ER0		SCREW AND WASHER, Hex Head, .25-20x.545
21	6034 483	3		ER0		SCREW, Hex Head Coned, .312-18x.875
-22	6034 733	1		ER0		STUD, .312-18/.250-20x1.680
23	53007 568AC	1		ER0		GASKET, Oil Pan
24	6034 734	10		ER0		BOLT, Double Stud Hex, .250-20x1.437 & .250-20 x.700
25	6035 664	1		ER0		STUD, .312-18x1.560
26	5302 0782	1		ER0		TUBE, Oil Filler
27	5301 0445	1		ER0		INDICATOR, Engine Oil Level
28	6035 417	1		ER0		PLUG, Oil Drain
-29	#53010 615AA	1		ER0		DRIVE, OIL PUMP

JEEP GRAND CHEROKEE (WJ)		BODY	ENGINE	TRANSMISSION
SERIES	LINE	74 = 4 Door	ERH = 4.0L, Power Tech I-6	DGK = 4 Speed Autm, 42RE
H = Laredo	J = 4WD		EVA = 4.7L, Power Tech V8	DGQ = 5 Speed Automatic, 45RFE
M = Sport	T = 2WD		EVC = 4.7L HO V8 MPI	DG0 = All Automatic Transm
P = Limited			ERO = All 4.0L 6 Cyl Gas	
S = Overland			EVO = All 4.7I Gas	

AR = Use as required - = Non illustrated part # = New this model year

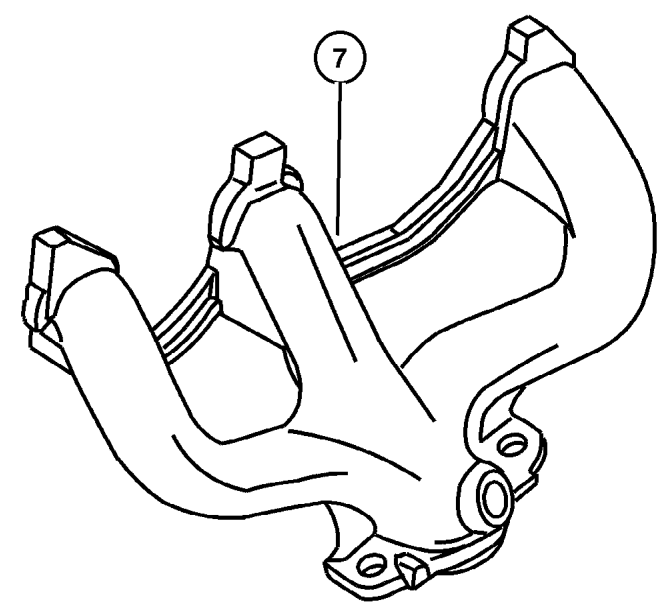
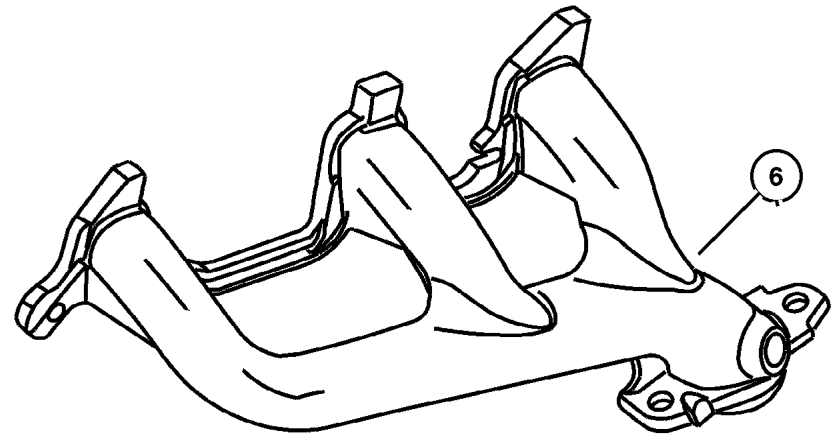
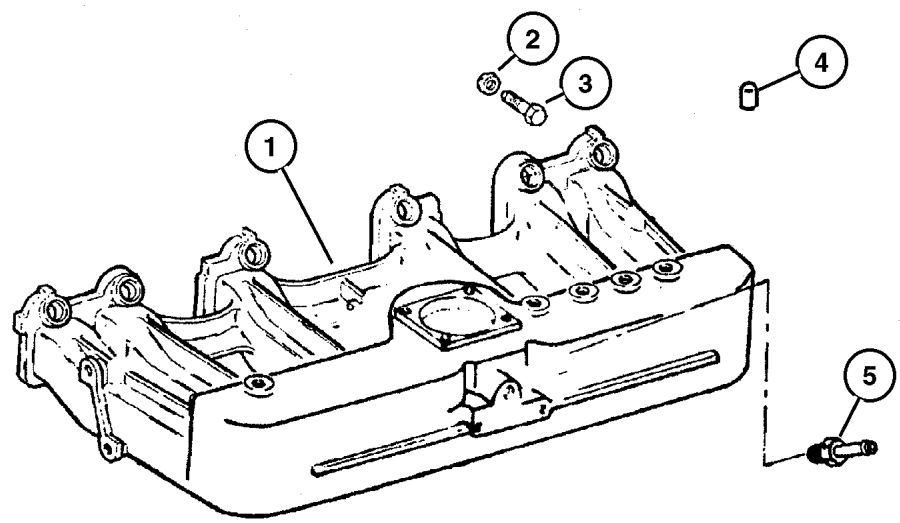
May 1, 2002

**Manifold, Intake and Exhaust, 4.0 (ERH)
Figure 4.0L-810**

ITEM	PART NUMBER	QTY	LINE	ENGINE	TRANS	DESCRIPTION
------	-------------	-----	------	--------	-------	-------------

NOTE: ER0=All 4.0L Engines ake Shoe Return Spring Lower.

1	4854 197AA	1		ER0		MANIFOLD, Intake
2	6036 171AA	2		ER0		NUT AND WASHER
3	6036 045AA	8		ER0		BOLT AND RETAINER, Hex Head
4	3580 172	1				CAP, Vacuum
5	4854 194	1		ER0		FITTING, Vacuum
6	5301 0196	1		ER0		MANIFOLD, Exhaust, Exhaust Front Machining
7	5301 0199	1		ER0		MANIFOLD, Exhaust, Exhaust Rear Machining
-8	4854 038	1		ER0		GASKET, Intake/Exhaust Manifold
-9	6036 193AA	2		ER0		STUD, .375-16/.375-24x1.75
-10	6506 546AA	2		ER0		NUT, Exhaust Manifold



JEEP GRAND CHEROKEE (WJ)				
SERIES	LINE	BODY	ENGINE	TRANSMISSION
H = Laredo	J = 4WD	74 = 4 Door	ERH = 4.0L, Power Tech I-6	DGK = 4 Speed Autm, 42RE
M = Sport	T = 2WD		EVA = 4.7L, Power Tech V8	DGQ = 5 Speed Automatic, 45RFE
P = Limited			EVC = 4.7L HO V8 MPI	DG0 = All Automatic Transm
S = Overland			ERO = All 4.0L 6 Cyl Gas	
			EVO = All 4.7l Gas	

AR = Use as required - = Non illustrated part # = New this model year

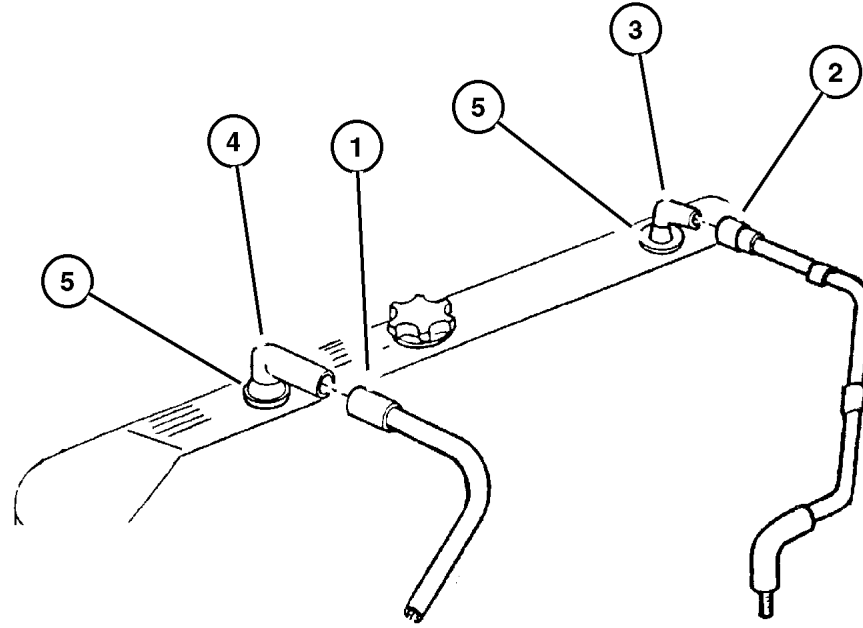
**Crankcase Ventilation, 4.0 [ERH]
Figure 4.0L-910**

ITEM	PART NUMBER	QTY	LINE	ENGINE	TRANS	DESCRIPTION
------	-------------	-----	------	--------	-------	-------------

Note; Sales Codes ake Shoe Return Spring Lower.

[ER0]= All 4.0L Gas Engines ake Shoe Return Spring Lower.

1	4854 119	1		ER0		TUBE, Crankcase Vent To Air Cleaner
2	4854 265	1		ER0		TUBE, Crankcase Vent To Intake Manifold
3	53013 360AA	1		ER0		TUBE, Crankcase Vent To Air Cleaner
4	5303 0497	1		ER0		FITTING, Crankcase Vent Tube
5	2946 079	2		ER0		GROMMET, Crankcase Vent



JEEP GRAND CHEROKEE (WJ)

SERIES	LINE	BODY	ENGINE	TRANSMISSION
H = Laredo	J = 4WD	74 = 4 Door	ERH = 4.0L, Power Tech I-6	DGK = 4 Speed Autm, 42RE
M = Sport	T = 2WD		EVA = 4.7L, Power Tech V8	DGQ = 5 Speed Automatic, 45RFE
P = Limited			EVC = 4.7L HO V8 MPI	DG0 = All Automatic Transm
S = Overland			ER0 = All 4.0L 6 Cyl Gas	
			EVO = All 4.7l Gas	

AR = Use as required - = Non illustrated part # = New this model year

May 1, 2002

Group – 4.7L

Engine 4.7L Eight Cylinder

GROUP 4.7L - Engine 4.7L Eight Cylinder

Illustration Title

Group-Fig. No.

Cylinder Head

Cylinder Head, 4.7 [EVA, EVC] Fig. 4.7L-210

Cylinder Block

Cylinder Block, 4.7 [EVA, EVC] Fig. 4.7L-310

Crankshaft, Pistons and Torque Converter

Crankshaft, Piston and Torque Converter, 4.7 [EVA, EVC] Fig. 4.7L-410

Camshafts and Valves

Camshaft and Valves, 4.7 [EVA, EVC] Fig. 4.7L-510

Timing Belt and Cover

Timing Cover, 4.7 [EVA, EVC] Fig. 4.7L-610

Timing Chain and Guides, 4.7 [EVA, EVC] Fig. 4.7L-620

Engine Oiling

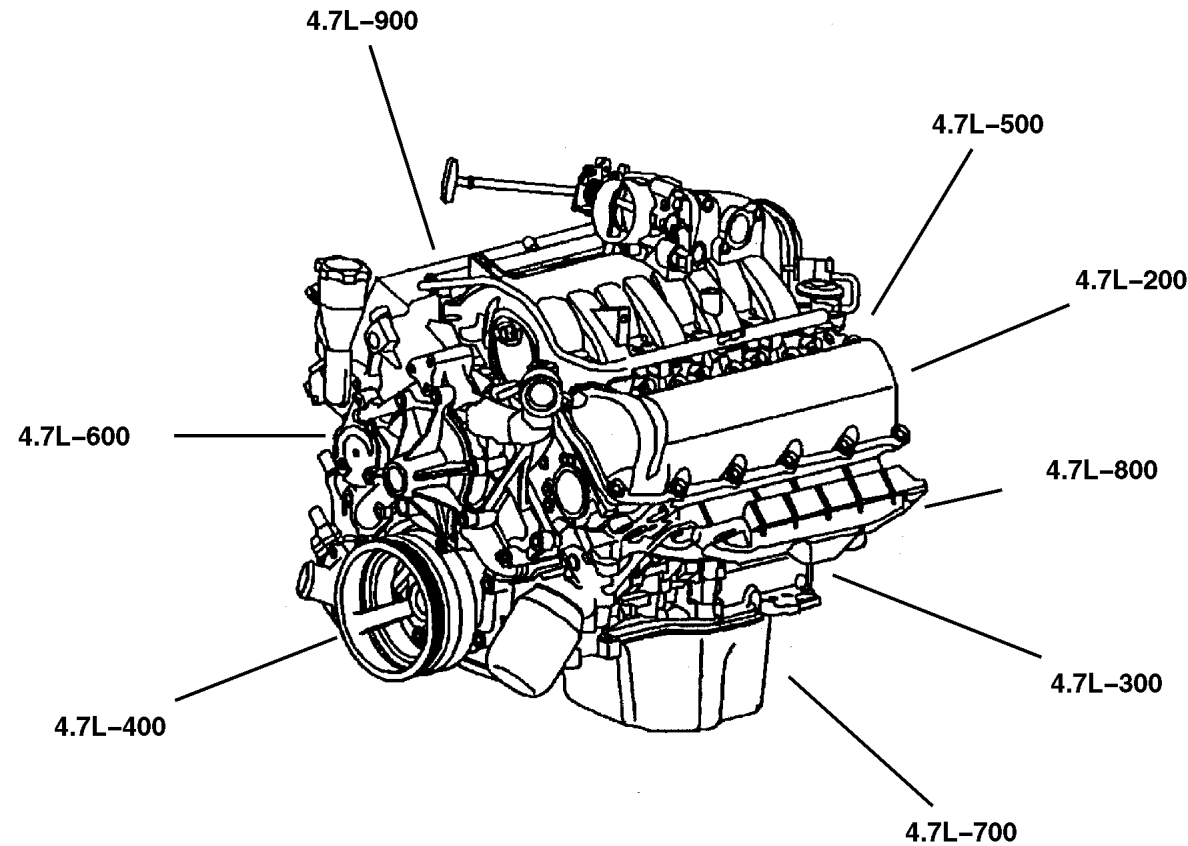
Engine Oiling, 4.7 [EVA, EVC] Fig. 4.7L-710

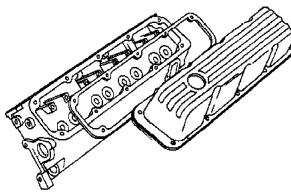
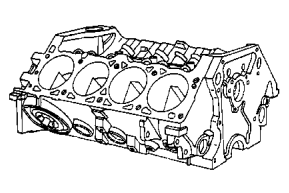
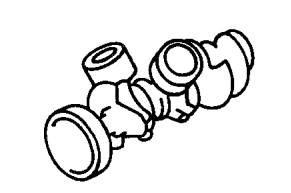
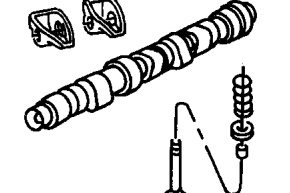
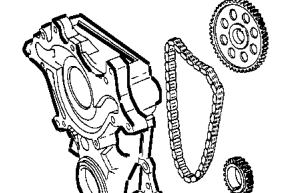
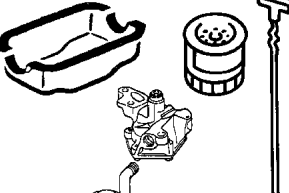
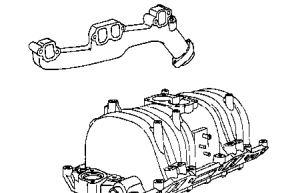
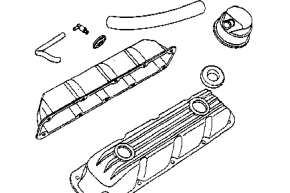
Manifolds

Manifold, Intake and Exhaust, 4.7 [EVA, EVC] Fig. 4.7L-810

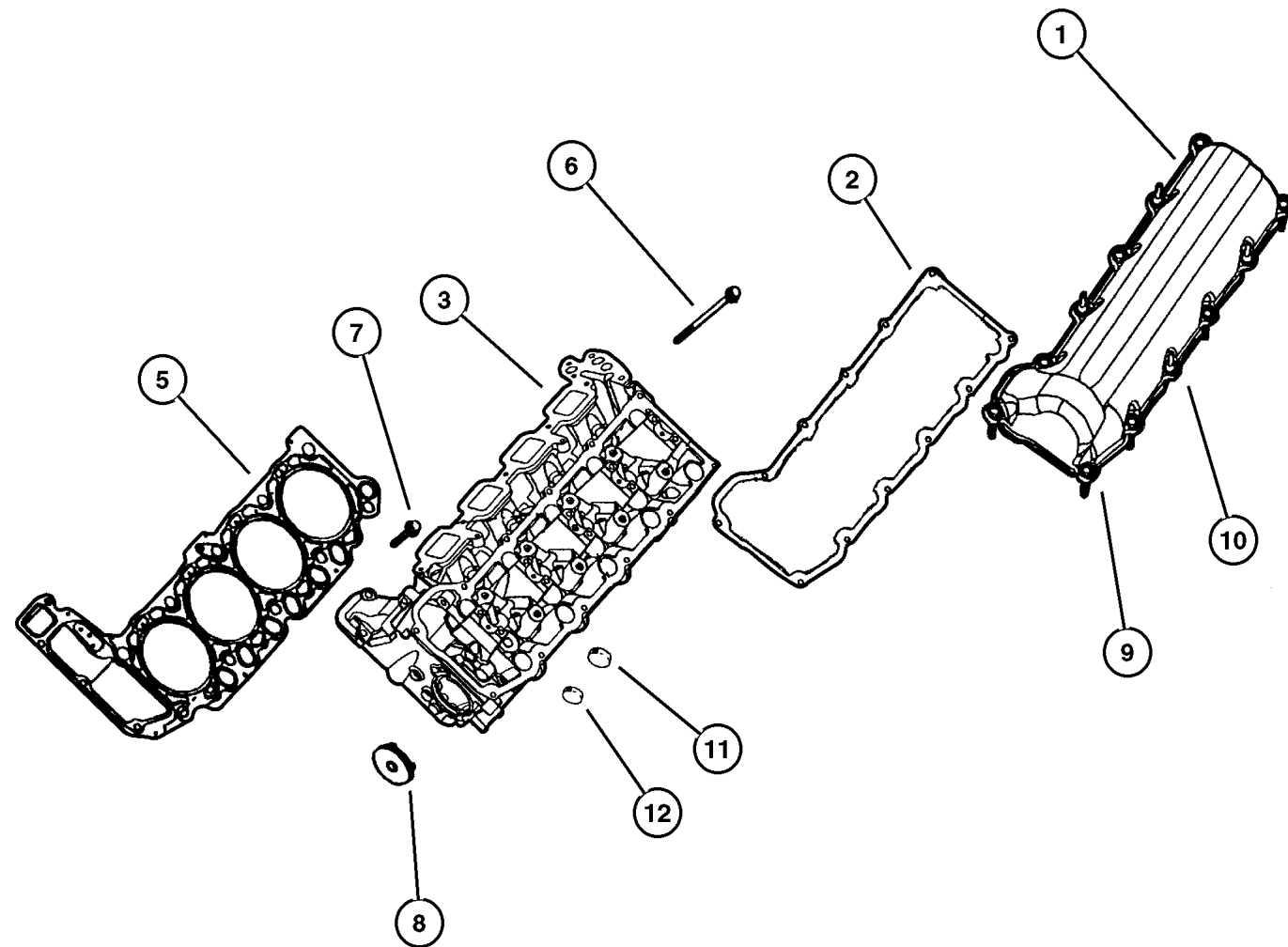
Crankcase Ventilation

Crankcase Ventilation, 4.7 [EVA, EVC] Fig. 4.7L-910



<p>4.7L-200 Cylinder Head</p> 	<p>4.7L-300 Cylinder Block</p> 	<p>4.7L-400 Crankshaft, Pistons and Torque Converter</p> 	<p>4.7L-500 Camshafts and Valves</p> 
<p>4.7L-600 Timing Belt and Cover</p> 	<p>4.7L-700 Engine Oiling</p> 	<p>4.7L-800 Manifolds</p> 	<p>4.7L-900 Crankcase Ventilation</p> 

**Cylinder Head, 4.7 [EVA, EVC]
Figure 4.7L-210**



ITEM	PART NUMBER	QTY	LINE	ENGINE	TRANS	DESCRIPTION
Note; Sales Codes ake Shoe Return Spring Lower.						
[EVA]= 4.7L Power Tech V-8 ake Shoe Return Spring Lower.						
[EVC]= 4.7L Power Tech High Output V-8 ake Shoe Return Spring Lower.						
[EV0]= All 4.7L Gas Engines ake Shoe Return Spring Lower.						
1						COVER, Cylinder Head
	53020 874AE	1		EV0		Right
	53020 657AD	1		EV0		Left
2						GASKET, Valve Cover
	5302 0878	1		EV0		Right
	5302 0877	1		EV0		Left
3						HEAD, Cylinder, Left
	#53020 797AB	1		EVA		
	#53021 453AA	1		EVC		
-4						HEAD, Cylinder, Right
	#53020 798AB	1		EVA		
	#53021 454AA	1		EVC		
5	53020 673AC	2		EV0		GASKET, Cylinder Head
6						SCREW AND WASHER, Hex Head
	6505 528AA	20		EVA		
		20		EVC		
7	6506 785AA	8		EV0		SCREW AND WASHER, Hex Head
8	5302 1031	1		EV0		PLUG, Access Hole
9						SCREW, Serviced in Cylinder Head Cover, (NOT SERVICED)
10						STUD, Serviced in Cylinder Head Cover, (NOT SERVICED)
11						PLUG, Core, 1.25 Diameter
	4556 020	2		EVA		
		2		EVC		
12						PLUG, Hex Socket, 3/8-18NPTx.475
	6034 331	2		EVA		
		2		EVC		

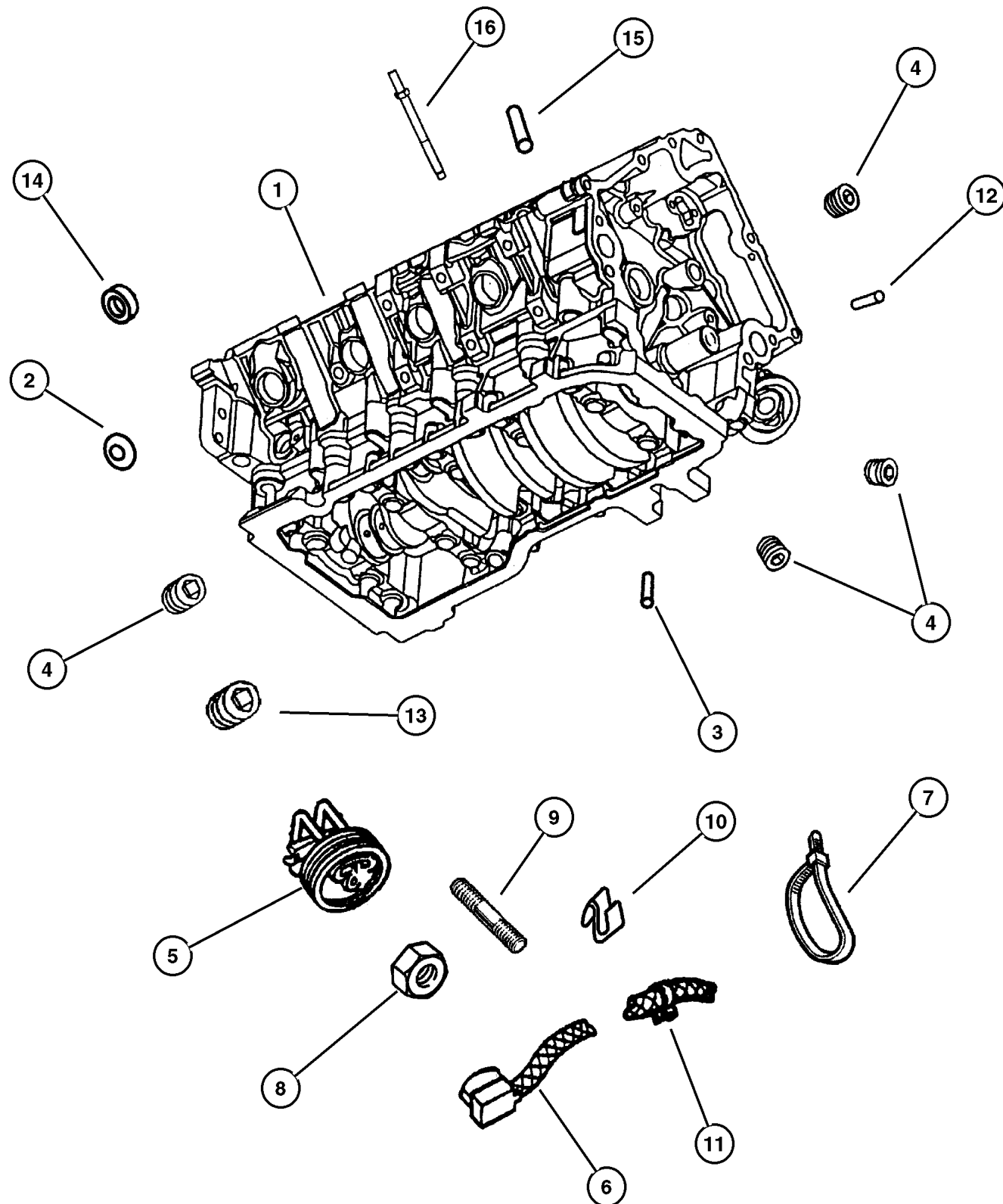
JEEP GRAND CHEROKEE (WJ)

SERIES	LINE	BODY	ENGINE	TRANSMISSION
H = Laredo	J = 4WD	74 = 4 Door	ERH = 4.0L, Power Tech I-6	DGK = 4 Speed Autm, 42RE
M = Sport	T = 2WD		EVA = 4.7L, Power Tech V8	DGQ = 5 Speed Automatic, 45RFE
P = Limited			EVC = 4.7L HO V8 MPI	DG0 = All Automatic Transm
S = Overland			ERO = All 4.0L 6 Cyl Gas	
			EVO = All 4.7I Gas	

AR = Use as required - = Non illustrated part # = New this model year

May 1, 2002

**Cylinder Block, 4.7 [EVA, EVC]
Figure 4.7L-310**

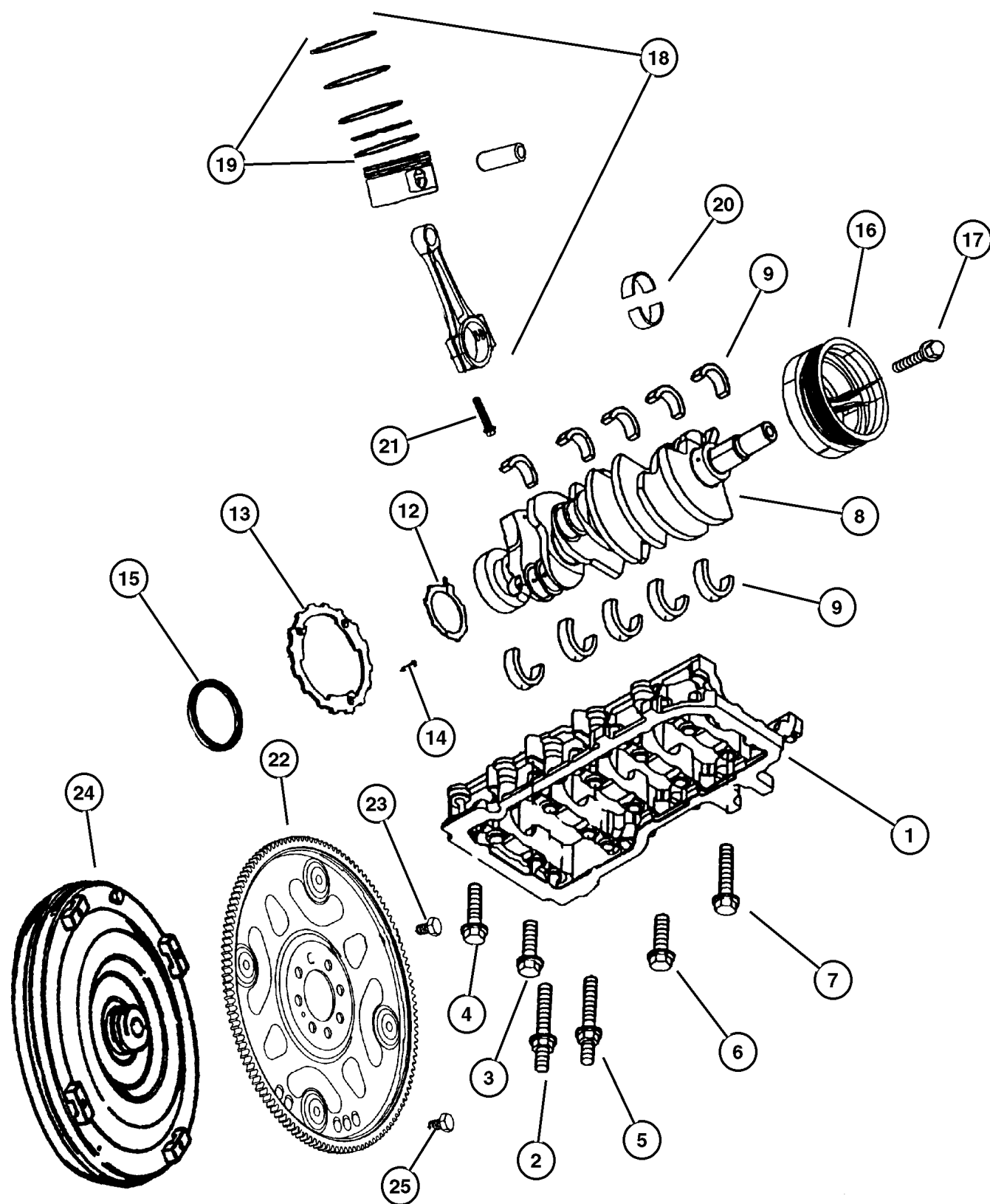


ITEM	PART NUMBER	QTY	LINE	ENGINE	TRANS	DESCRIPTION
Note; Sales Codes ake Shoe Return Spring Lower.						
[EVA]= 4.7L Power Tech V-8 ake Shoe Return Spring Lower.						
[EVC]= 4.7L Power Tech High Output V-8 ake Shoe Return Spring Lower.						
[EV0]= All 4.7L Gas Engines ake Shoe Return Spring Lower.						
1						BLOCK, Short
	5011 499AD	1		EVA		Contains: Block, Bed Plate, Crank, Rods, Pistons, Rings, Oil Pump, Oil Pan
	#5017 444AA	1		EVC		Contains: Block, Bed Plate, Crank, Rods, Pistons, Rings, Oil Pump, Oil Pan
2	6034 804	10		EV0		PLUG, Core, 1.39 Diameter
3	6505 457AA	3		EV0		PIN
4	6036 114AA	4		EV0		PLUG, Pipe
5	8220 3640	1		EV0		HEATER PACKAGE, Engine Block
6	5602 7117	1		EV0		CORD, Engine Block Heater
7	5600 8876	1		EV0		STRAP, Tie
8						NUT, Hex Flange Lock, .375-16, (NOT SERVICED)
9						SCREW, [.375-16x.625], (NOT SERVICED)
10						CLIP, (NOT SERVICED)
11						CLIP, (NOT SERVICED)
12	53010 533AA	2		EV0		DOWEL
13	6034 366	2		EV0		SCREW
14	4556 019	1		EV0		PLUG, Cylinder Block Oil Hole
15	5240 849	4		EV0		DOWEL, Block To Clutch Housing
16	6505 274AA	2		EV0		STUD

JEEP GRAND CHEROKEE (WJ)				
SERIES	LINE	BODY	ENGINE	TRANSMISSION
H = Laredo	J = 4WD	74 = 4 Door	ERH = 4.0L, Power Tech I-6	DGK = 4 Speed Autm, 42RE
M = Sport	T = 2WD		EVA = 4.7L, Power Tech V8	DGQ = 5 Speed Automatic, 45RFE
P = Limited			EVC = 4.7L HO V8 MPI	DG0 = All Automatic Transm
S = Overland			ERO = All 4.0L 6 Cyl Gas	
			EVO = All 4.7l Gas	

AR = Use as required - = Non illustrated part # = New this model year

**Crankshaft, Piston and Torque Converter, 4.7 [EVA, EVC]
Figure 4.7L-410**



ITEM	PART NUMBER	QTY	LINE	ENGINE	TRANS	DESCRIPTION
Note; Sales Codes ake Shoe Return Spring Lower.						
[DGQ]= 5 Speed Automatic Transmission 5-45RFE ake Shoe Return Spring Lower.						
[DG0]= All Automatic Transmissions ake Shoe Return Spring Lower.						
[EVA]= 4.7L Power Tech V-8 ake Shoe Return Spring Lower.						
[EVC]= 4.7L Power Tech High Output V-8 ake Shoe Return Spring Lower.						
[EV0]= All 4.7L Gas Engines ake Shoe Return Spring Lower.						
1						BEDPLATE, Serviced in Short Block, (NOT SERVICED)
2	6506 187AA	2		EVO		STUD
3	6102 047AA	6		EVO		SCREW, Hex Head, M8x1.25x50
4	6504 411	7		EVO		SCREW
5	6506 186AA	1		EVO		STUD
6	6504 410	5		EVO		SCREW, Hex Head
7	6505 394AA	7		EVO		SCREW AND WASHER
8						CRANKSHAFT
	5302 0939	1		EVA	DG0	
	53021 407AA	1		EVC	DG0	
9						BEARING PACKAGE, Crankshaft, A Grade
	5014 183AA	5		EVA		
	#5018 053AA	5		EVC		
-10						BEARING PACKAGE, Crankshaft, B Grade
	5013 586AB	5		EVA		
	#5018 054AA	5		EVC		
-11						BEARING PACKAGE, Crankshaft, C Grade
	5014 186AA	5		EVA		
	#5018 055AA	5		EVC		
12	5012 356AB	1		EVO		WASHER PACKAGE, Washer
13						TONE RING, Sensor, Serviced in Crankshaft, (NOT SERVICED)
14						SCREW, M6x1x25
	6504 480	3		EVA	DG0	
		3		EVC	DG0	
15	5302 0788	1		EVO		SEAL, Crankshaft Bearing Oil
16						DAMPER, Crankshaft
	53020 689AB	1		EVA		
	53021 410AA	1		EVC		
17	6504 415	1		EVO		SCREW AND WASHER
18	5012 362AC	8		EVA		PISTON PIN AND ROD, STD
19						RING PACKAGE, Piston, Standard Size
	5012 364AC	8		EVA		
		8		EVC		
20						BEARING PACKAGE, Connecting Rod, Standard

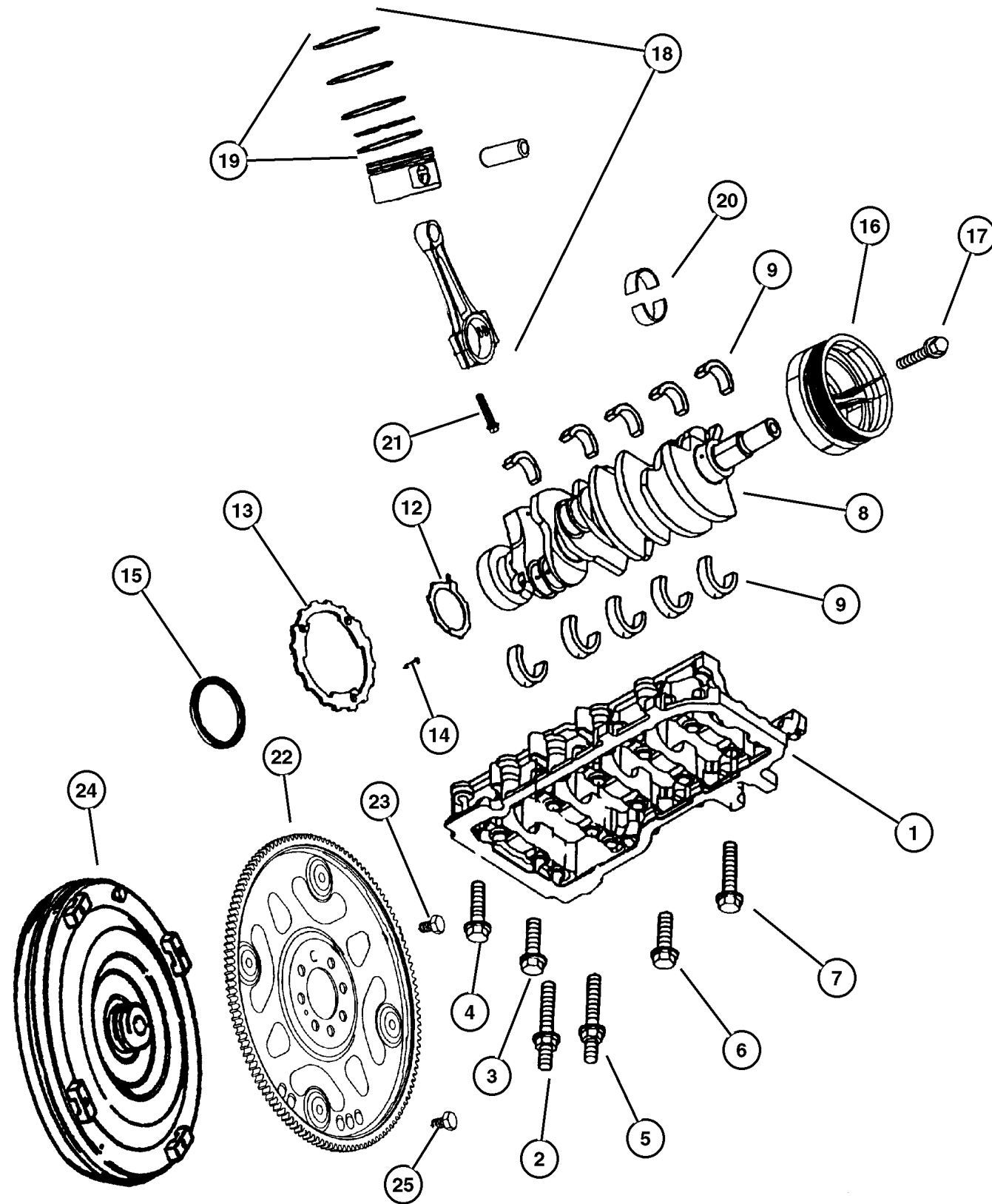
JEEP GRAND CHEROKEE (WJ)

SERIES	LINE	BODY	ENGINE	TRANSMISSION
H = Laredo	J = 4WD	74 = 4 Door	ERH = 4.0L, Power Tech I-6	DGK = 4 Speed Autm, 42RE
M = Sport	T = 2WD		EVA = 4.7L, Power Tech V8	DGQ = 5 Speed Automatic, 45RFE
P = Limited			EVC = 4.7L HO V8 MPI	DG0 = All Automatic Transm
S = Overland			ERO = All 4.0L 6 Cyl Gas	
			EVO = All 4.7L Gas	

AR = Use as required - = Non illustrated part # = New this model year

May 1, 2002

**Crankshaft, Piston and Torque Converter, 4.7 [EVA, EVC]
Figure 4.7L-410**



ITEM	PART NUMBER	QTY	LINE	ENGINE	TRANS	DESCRIPTION
	5012 363AB	8		EVA		
	5018 581AA	8		EVC		
21	6504 720	16		EVA		BOLT, Connecting Rod
22	5210 4048	1		EVO	DGQ	PLATE, Torque Converter Drive
23	6503 465	8		EVO	DG0	BOLT, Drive Plate and Flywheel
24						TORQUE CONVERTER
	4736 582	1	T		DGQ	
		1	J		DGQ	
25	1949 765	4			DG0	SCREW, Hex Head Header Point, .312-24x.44

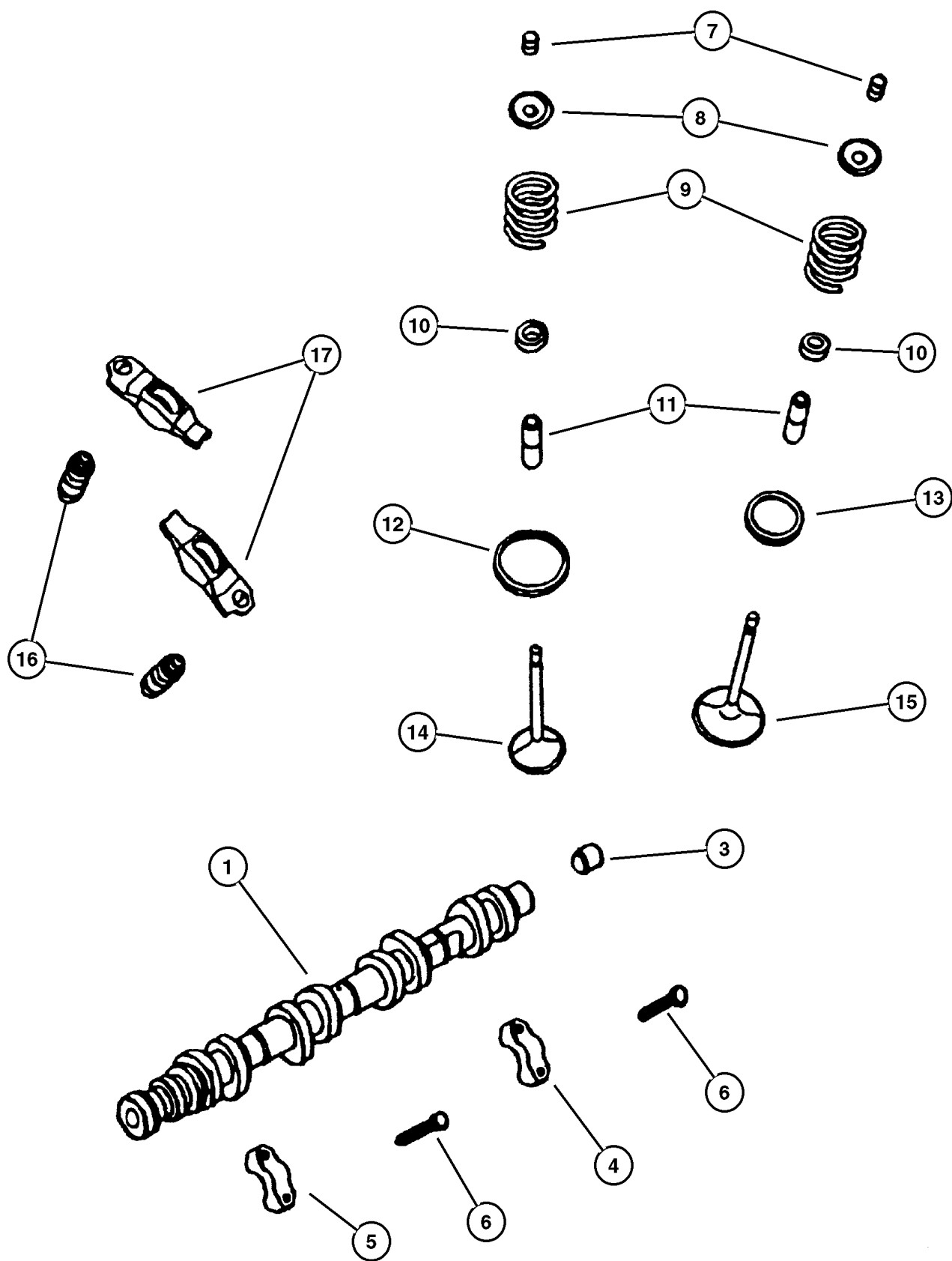
JEEP GRAND CHEROKEE (WJ)

SERIES	LINE	BODY	ENGINE	TRANSMISSION
H = Laredo	J = 4WD	74 = 4 Door	ERH = 4.0L, Power Tech I-6	DGK = 4 Speed Autm, 42RE
M = Sport	T = 2WD		EVA = 4.7L, Power Tech V8	DGQ = 5 Speed Automatic, 45RFE
P = Limited			EVC = 4.7L HO V8 MPI	DG0 = All Automatic Transm
S = Overland			ERO = All 4.0L 6 Cyl Gas	
			EVO = All 4.7I Gas	

AR = Use as required - = Non illustrated part # = New this model year

May 1, 2002

**Camshaft and Valves, 4.7 [EVA, EVC]
Figure 4.7L-510**



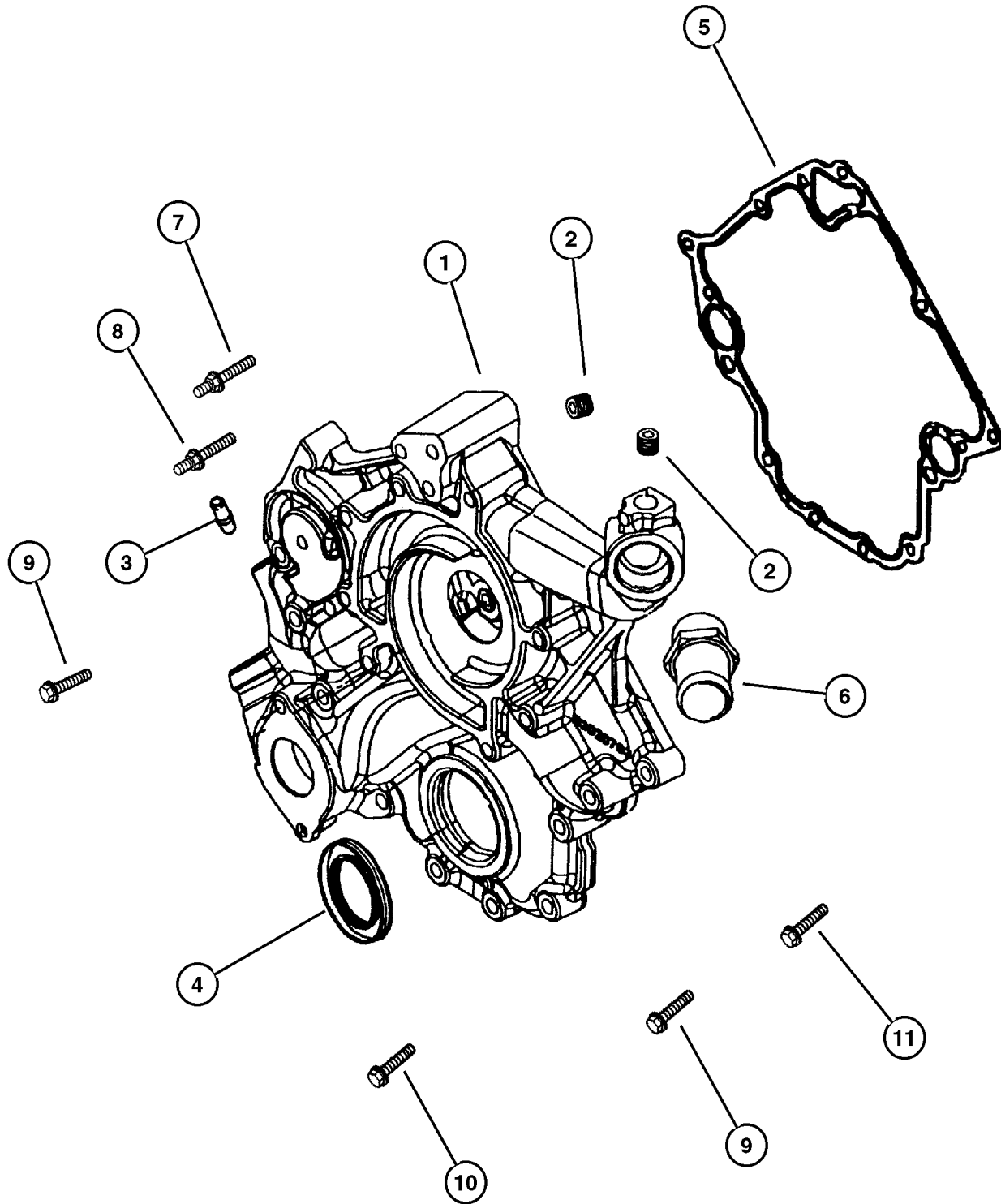
ITEM	PART NUMBER	QTY	LINE	ENGINE	TRANS	DESCRIPTION
Note; Sales Codes ake Shoe Return Spring Lower.						
[EVA]= 4.7L Power Tech V-8 ake Shoe Return Spring Lower.						
[EVC]= 4.7L Power Tech High Output V-8 ake Shoe Return Spring Lower.						
[EV0]= All 4.7L Gas Engines ake Shoe Return Spring Lower.						
1						CAMSHAFT, Engine, Left
	53021 159AA	1		EVA		Left
	#53021 411AB	1		EVC		Left
-2						CAMSHAFT, Engine, Right
	53021 160AA	1		EVA		Right
	#53021 412AB	1		EVC		Right
3						PLUG, Camshaft
	53021 161AA	1		EVA		
		1		EVC		
4						CAP, Serviced in Cylinder Head, (NOT SERVICED)
5						CAP, Serviced in Cylinder Head, (NOT SERVICED)
6						SCREW, M6x1x40
	6505 034AA	10		EVA		
		10		EVC		
7	4536 513AB	32		EV0		LOCK, Valve Spring Retainer
8						RETAINER, Valve Spring
	4781 090AA	16		EVA		
		16		EVC		
9						SPRING, Valve
	53020 749AC	16		EVA		
	#53021 288AC	16		EVC		
10	53020 752AD	16		EV0		SEAL, Valve Guide
11						GUIDE, Intake/Exhaust Valve, Standard Size, Serviced in Cylinder Head, (NOT SERVICED)
12						INSERT, Intake Valve, Serviced in Cylinder Head, (NOT SERVICED)
13						INSERT, Exhaust Valve, Serviced in Cylinder Head, (NOT SERVICED)
14	53020 747AB	8		EV0		VALVE, Intake, Standard
15						VALVE, Exhaust, Standard
	5302 0748	8		EVA		
	53021 571AA	8		EVC		
16	5302 1077	16		EV0		ADJUSTER, Valve Lash
17	53020 742AB	16		EV0		ROCKER ARM, Valve

JEEP GRAND CHEROKEE (WJ)				
SERIES	LINE	BODY	ENGINE	TRANSMISSION
H = Laredo	J = 4WD	74 = 4 Door	ERH = 4.0L, Power Tech I-6	DGK = 4 Speed Autm, 42RE
M = Sport	T = 2WD		EVA = 4.7L, Power Tech V8	DGQ = 5 Speed Automatic, 45RFE
P = Limited			EVC = 4.7L HO V8 MPI	DG0 = All Automatic Transm
S = Overland			ERO = All 4.0L 6 Cyl Gas	
			EVO = All 4.7L Gas	

AR = Use as required - = Non illustrated part # = New this model year

Timing Cover, 4.7 [EVA, EVC]
Figure 4.7L-610

ITEM	PART NUMBER	QTY	LINE	ENGINE	TRANS	DESCRIPTION
Note; Sales Codes ake Shoe Return Spring Lower.						
[EV0]= All 4.7L Gas Engines ake Shoe Return Spring Lower.						
1	#53021 714AB	1		EVO		COVER, Timing Case
2	6034 331	3		EVO		PLUG, Hex Socket, 3/8-18NPTx.475
3	6035 854	2		EVO		FITTING, Y-Style
4	53021 313AA	1		EVO		SEAL, Crankshaft Oil, Front
5	5302 0862	1		EVO		GASKET, Chain Case Cover
6						PIPE, Serviced With Item 1, (NOT SERVICED)
7	6505 293AA	1		EVO		STUD
8	6506 734AA	1		EVO		STUD
9	6101 998	5		EVO		SCREW AND WASHER, Hex
10	#6507 144AA	5		EVO		SCREW AND WASHER, M10x1.50x45.00
11	6505 579AA	2		EVO		SCREW AND WASHER

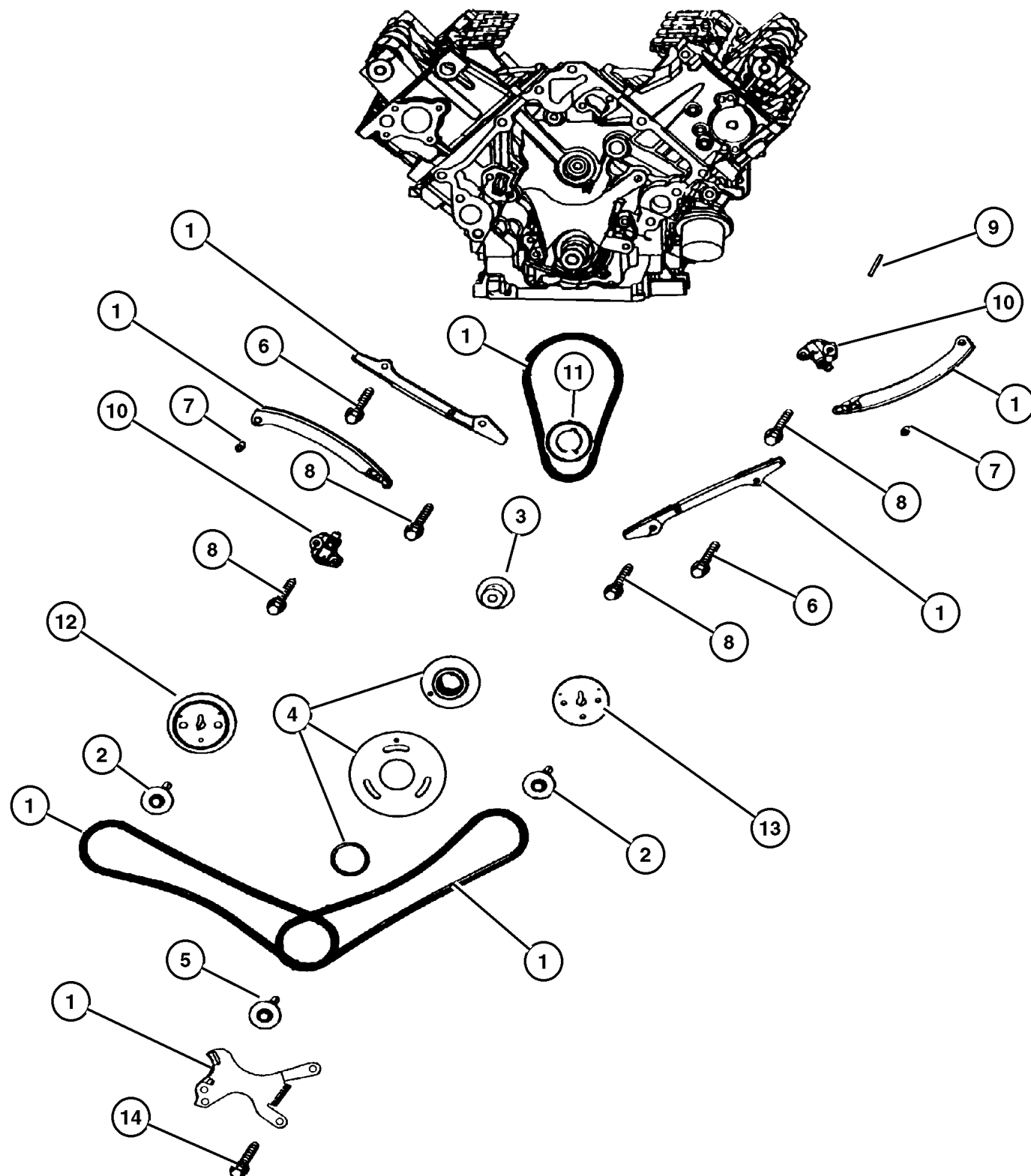


JEEP GRAND CHEROKEE (WJ)				
SERIES	LINE	BODY	ENGINE	TRANSMISSION
H = Laredo	J = 4WD	74 = 4 Door	ERH = 4.0L, Power Tech I-6	DGK = 4 Speed Autm, 42RE
M = Sport	T = 2WD		EVA = 4.7L, Power Tech V8	DGQ = 5 Speed Automatic, 45RFE
P = Limited			EVC = 4.7L HO V8 MPI	DG0 = All Automatic Transm
S = Overland			ERO = All 4.0L 6 Cyl Gas	
			EVO = All 4.7I Gas	

AR = Use as required - = Non illustrated part # = New this model year

May 1, 2002

Timing Chain and Guides, 4.7 [EVA, EVC] Figure 4.7L-620



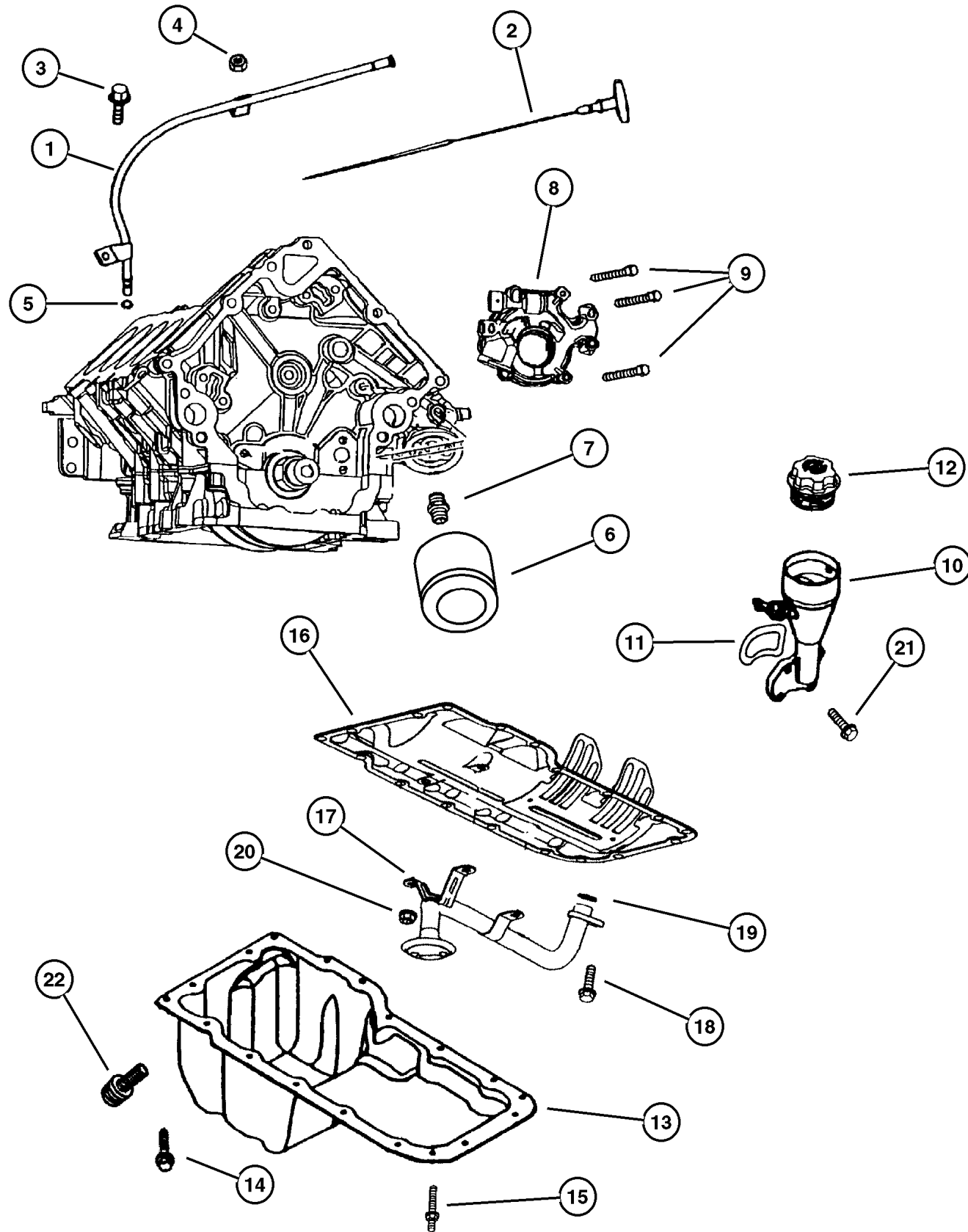
ITEM	PART NUMBER	QTY	LINE	ENGINE	TRANS	DESCRIPTION
Note; Sales Codes ake Shoe Return Spring Lower.						
[EV0]= All 4.7L Gas Engines ake Shoe Return Spring Lower.						
1	5013 867AB	1		EVO		TIMING DRIVE PACKAGE, Engine
2	6504 429	2		EVO		SCREW AND WASHER, Hex
3	5302 0835	1		EVO		SHAFT, Idler
4	5013 868AB	1		EVO		SPROCKET, Idler
5	6504 370	1		EVO		SCREW AND WASHER, Hex
6	6102 111AA	2		EVO		SCREW AND WASHER
7	6504 440	2		EVO		SCREW, Also Serviced In Item# 1
8	6503 257	6		EVO		BOLT, Hex Head, M8x1.25x37.50
9	6504 471	1		EVO		KEY, Woodruff
10						TENSIONER, Chain
	5302 0779	1		EVO		Right
	53021 168AA	1		EVO		Left
11	5302 0679	1		EVO		SPROCKET, Crankshaft
12	53021 169AA	1		EVO		SPROCKET, Camshaft, Right, Right
13	5302 0938	1		EVO		SPROCKET, Camshaft, Left, Left
14	6100 932	2		EVO		BOLT, Hex
-15	5302 0681	1		EVO		TENSIONER, Chain, Primary

JEEP GRAND CHEROKEE (WJ)				
SERIES	LINE	BODY	ENGINE	TRANSMISSION
H = Laredo	J = 4WD	74 = 4 Door	ERH = 4.0L, Power Tech I-6	DGK = 4 Speed Autm, 42RE
M = Sport	T = 2WD		EVA = 4.7L, Power Tech V8	DGQ = 5 Speed Automatic, 45RFE
P = Limited			EVC = 4.7L HO V8 MPI	DG0 = All Automatic Transm
S = Overland			ERO = All 4.0L 6 Cyl Gas	
			EVO = All 4.7I Gas	

AR = Use as required - = Non illustrated part # = New this model year

May 1, 2002

**Engine Oiling, 4.7 [EVA, EVC]
Figure 4.7L-710**



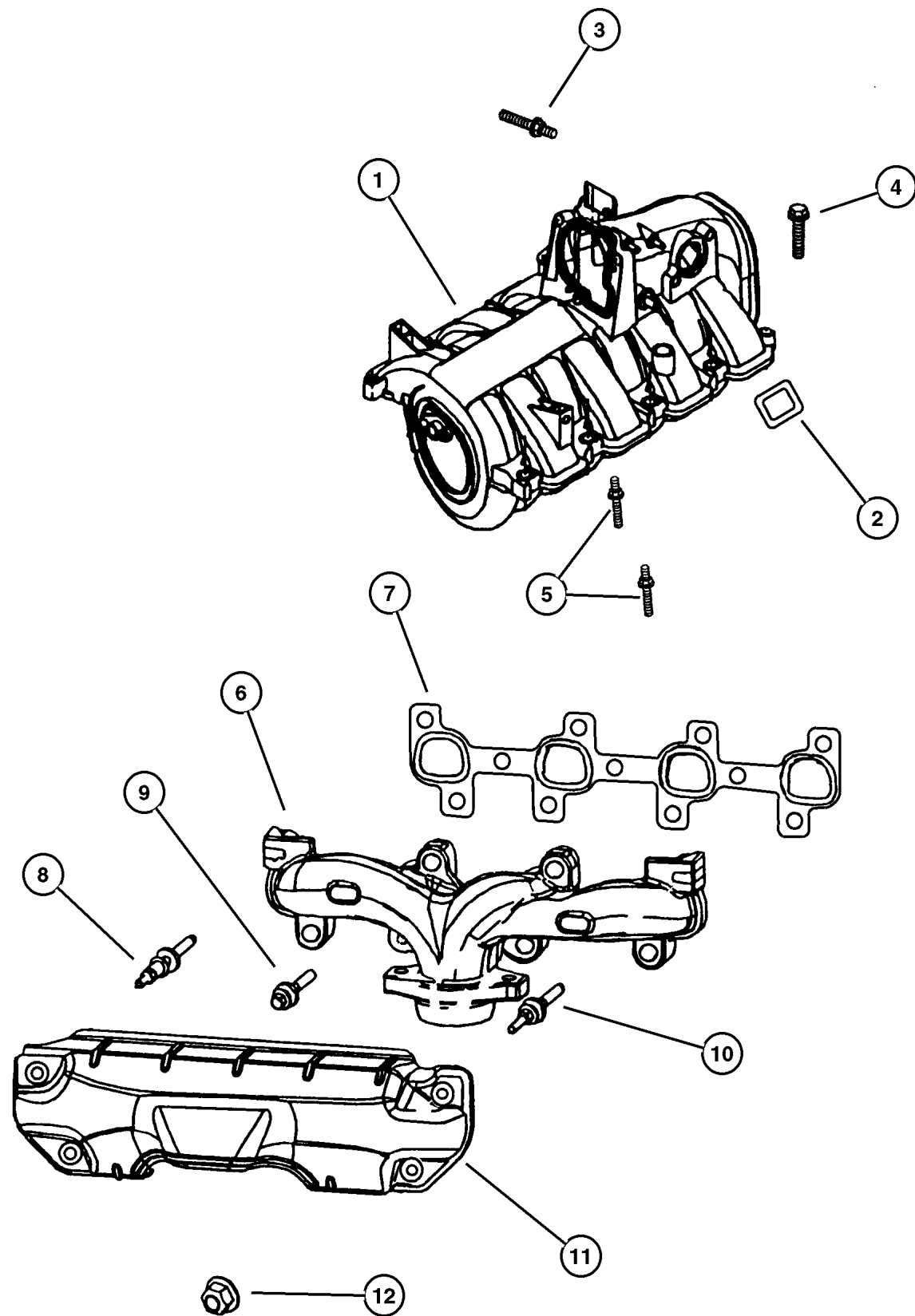
ITEM	PART NUMBER	QTY	LINE	ENGINE	TRANS	DESCRIPTION
Note; Sales Codes ake Shoe Return Spring Lower.						
[EV0]= All 4.7L Gas Engines ake Shoe Return Spring Lower.						
1	5302 1024	1		EVO		TUBE, Engine Oil Indicator
2	53020 859AB	1		EVO		INDICATOR, Engine Oil Level
3	6504 810AA	1		EVO		SCREW AND WASHER, Hex
4	6101 802	1		EVO		NUT
5	53021 144AA	1		EVO		O RING, Engine Oil Indicator
6	5281 090	1		EVO		FILTER, Engine Oil
7	5300 7563	1		EVO		CONNECTOR, Oil Filter
8	5302 0827	1		EVO		PUMP, Engine Oil
9	6100 932	1		EVO		BOLT, Hex
10	5302 0890	1		EVO		HOUSING, Oil Fill
11	53020 889AB	1		EVO		GASKET, Oil Fill Housing
12	53032 389AC	1		EVO		CAP, Oil Filler
13	53020 678AB	1		EVO		PAN, Engine Oil
14	6504 810AA	17		EVO		SCREW AND WASHER, Hex
15	6505 889AA	1		EVO		STUD
16	53020 675AC	1		EVO		GASKET, Oil Pan
17	5302 0828	1		EVO		TUBE, Oil Pickup
18	6102 046AA	1		EVO		SCREW AND WASHER
19	5302 0861	1		EVO		SEAL, Oil Pick Up Tube
20	6502 756	3		EVO		NUT, Hex Lock, M8x1.25
21	6505 504AA	4		EVO		SCREW
22	6504 894AA	1		EVO		SCREW, Oil sump

JEEP GRAND CHEROKEE (WJ)				
SERIES	LINE	BODY	ENGINE	TRANSMISSION
H = Laredo	J = 4WD	74 = 4 Door	ERH = 4.0L, Power Tech I-6	DGK = 4 Speed Autm, 42RE
M = Sport	T = 2WD		EVA = 4.7L, Power Tech V8	DGQ = 5 Speed Automatic, 45RFE
P = Limited			EVC = 4.7L HO V8 MPI	DG0 = All Automatic Transm
S = Overland			ERO = All 4.0L 6 Cyl Gas	
			EVO = All 4.7I Gas	

AR = Use as required - = Non illustrated part # = New this model year

May 1, 2002

**Manifold, Intake and Exhaust, 4.7 [EVA, EVC]
Figure 4.7L-810**



ITEM	PART NUMBER	QTY	LINE	ENGINE	TRANS	DESCRIPTION
Note; Sales Codes ake Shoe Return Spring Lower.						
[EVA]= 4.7L Power Tech V-8 ake Shoe Return Spring Lower.						
[EVC]= 4.7L Power Tech High Output V-8 ake Shoe Return Spring Lower.						
[EV0]= All 4.7L Gas Engines ake Shoe Return Spring Lower.						
1						MANIFOLD, Intake
	#53010 315AG	1		EVA		
	#53031 739AC	1		EVC		
2						SEAL, Intake Manifold
	5301 0310	8		EVA		
		8		EVC		
3						STUD
	6505 498AA	1		EVA		
		1		EVC		
4	6505 499AA	2		EV0		SCREW
5	6505 500AA	8		EV0		STUD
6						MANIFOLD, Exhaust
	5303 0934	1		EV0		Right
	5303 0933	1		EV0		Left
7						GASKET, Exhaust Manifold
	5303 0812	1		EV0		Right
	5303 0813	1		EV0		Left
8	6505 257AA	4		EV0		STUD
9	6504 340	8		EV0		SCREW AND WASHER, Hex
10	6504 331	4		EV0		STUD
11						SHIELD, Exhaust Manifold
	5303 0940	1		EV0		Right
	5303 0815	1		EV0		Left
12	6505 316AA	8		EV0		NUT

JEEP GRAND CHEROKEE (WJ)

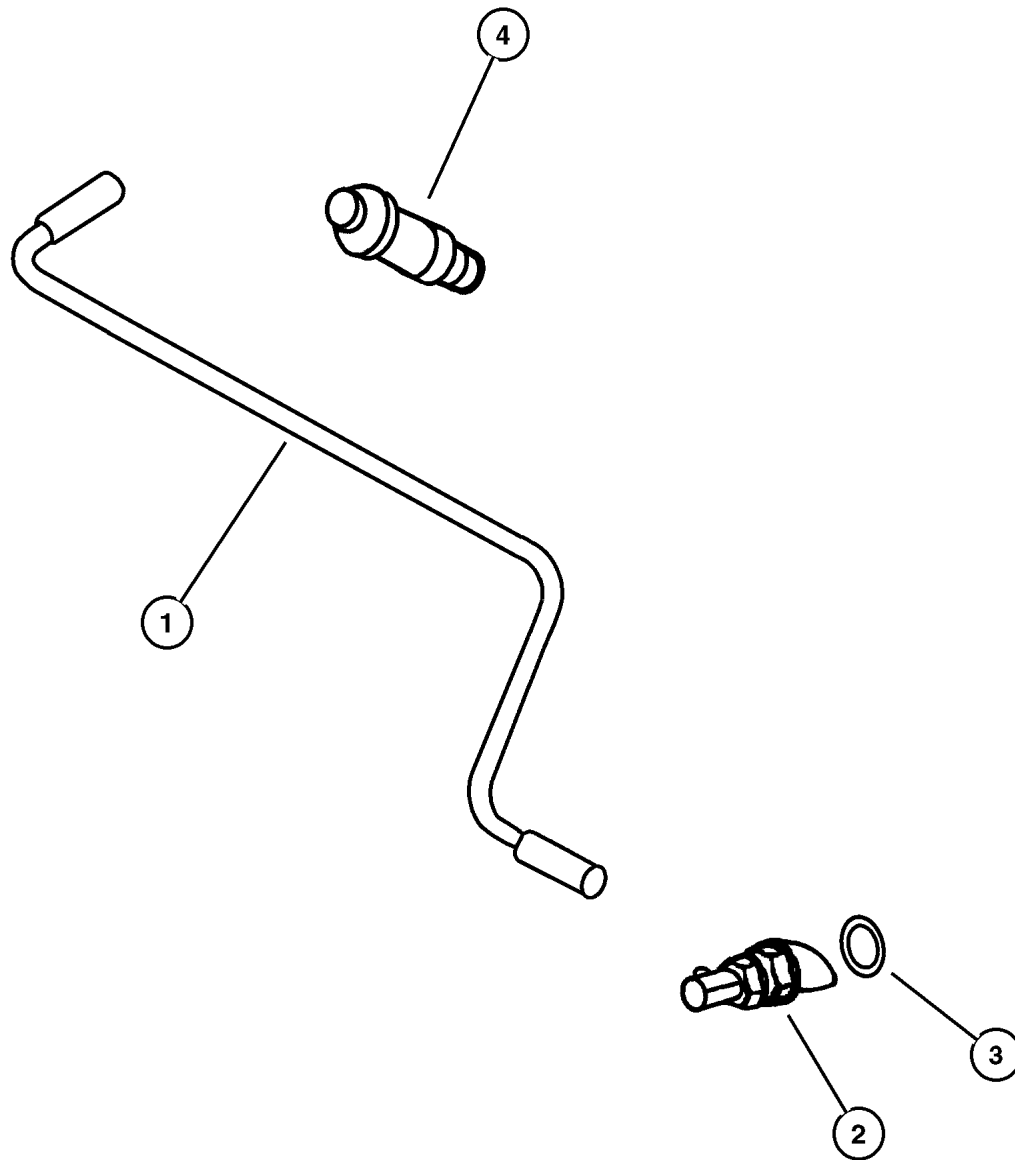
SERIES	LINE	BODY	ENGINE	TRANSMISSION
H = Laredo	J = 4WD	74 = 4 Door	ERH = 4.0L, Power Tech I-6	DGK = 4 Speed Autm, 42RE
M = Sport	T = 2WD		EVA = 4.7L, Power Tech V8	DGQ = 5 Speed Automatic, 45RFE
P = Limited			EVC = 4.7L HO V8 MPI	DG0 = All Automatic Transm
S = Overland			ERO = All 4.0L 6 Cyl Gas	
			EVO = All 4.7I Gas	

AR = Use as required - = Non illustrated part # = New this model year

May 1, 2002

**Crankcase Ventilation, 4.7 [EVA, EVC]
Figure 4.7L-910**

ITEM	PART NUMBER	QTY	LINE	ENGINE	TRANS	DESCRIPTION
Note; Sales Codes ake Shoe Return Spring Lower.						
[EV0]= All 4.7L Gas Engines ake Shoe Return Spring Lower.						
1	#53030 851AC	1		EVO		TUBE, PCV Valve
2	#53032 800AA	1		EVO		VALVE, Crankcase Vent
3	53031 711AA	1		EVO		O RING
4	53030 850AB	2		EVO		BREATHER, Crankcase



JEEP GRAND CHEROKEE (WJ)				
SERIES	LINE	BODY	ENGINE	TRANSMISSION
H = Laredo	J = 4WD	74 = 4 Door	ERH = 4.0L, Power Tech I-6	DGK = 4 Speed Autm, 42RE
M = Sport	T = 2WD		EVA = 4.7L, Power Tech V8	DGQ = 5 Speed Automatic, 45RFE
P = Limited			EVC = 4.7L HO V8 MPI	DG0 = All Automatic Transm
S = Overland			ERO = All 4.0L 6 Cyl Gas	
			EVO = All 4.7l Gas	

AR = Use as required - = Non illustrated part # = New this model year

May 1, 2002

Group – 011

Exhaust

GROUP 11 - Exhaust

Illustration Title

Group-Fig. No.

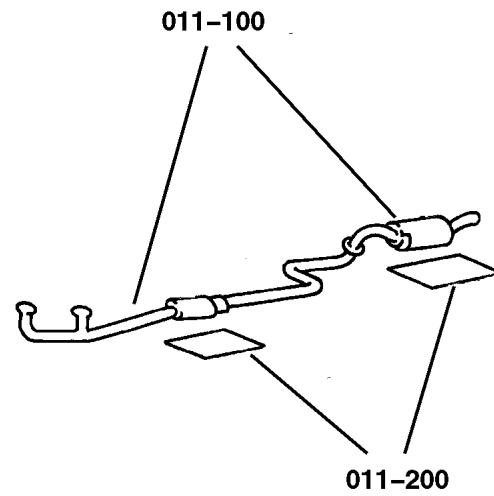
Exhaust System

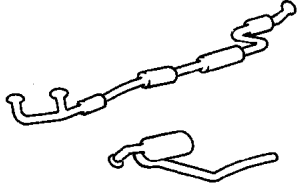
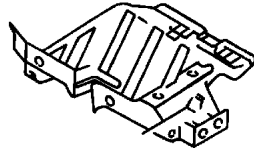
Exhaust System, 4.0 [ERH] Fig. 011-110

Exhaust System, 4.7 [EVA,EVC] Fig. 011-120

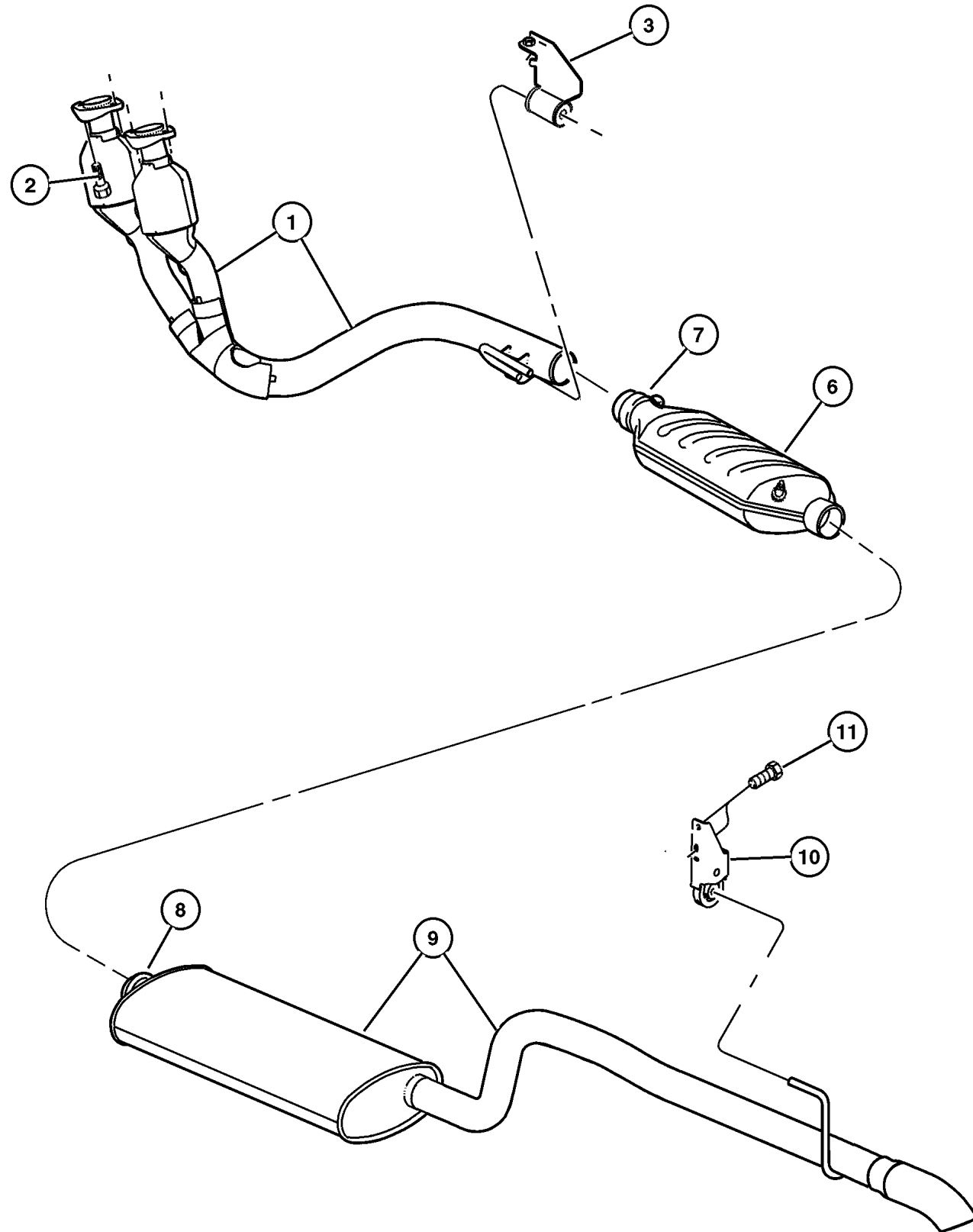
Heat Shields

Heat Shields, 4.0 [ERH], 4.7 [EVA, EVC] Fig. 011-210



<p>011-100 Exhaust System</p> 	<p>011-200 Heat Shields</p> 		
--	--	--	--

**Exhaust System, 4.0 [ERH]
Figure 011-110**



ITEM	PART NUMBER	QTY	LINE	SERIES	BODY	ENGINE	TRANS	DESCRIPTION
Note; Sales Codes ake Shoe Return Spring Lower.								
[ER0]= All 4.0L, 6 Cylinder Gas Engines ake Shoe Return Spring Lower.								
1	#52101 236AB	1				ER0		PIPE AND CONVERTER, Exhaust, U.S. 50 States
2	6507 051AA	4				ER0		SCREW, Hex Head
3	52101 017AC	1				ER0		HANGER, Exhaust
-4	6022 266	1				ER0		SCREW, Hex Head, .375-16x1.5
-5	0152 474	1	T			ER0		NUT, Hex Flange Lock, .375-16
6								CONVERTER, Catalytic
	#52101 224AC	1				ER0		Federal
	#52101 228AC	1				ER0		California
7								CLAMP, Serviced With Converter, (NOT SERVICED)
8								CLAMP, Exhaust, Serviced With Muffler and Tailpipe , (NOT SERVICED)
9	#52101 239AB	1				ER0		MUFFLER AND TAILPIPE, Exhaust
10	52101 141AD	1						HANGER, Tailpipe
11								SCREW, (NOT SERVICED)

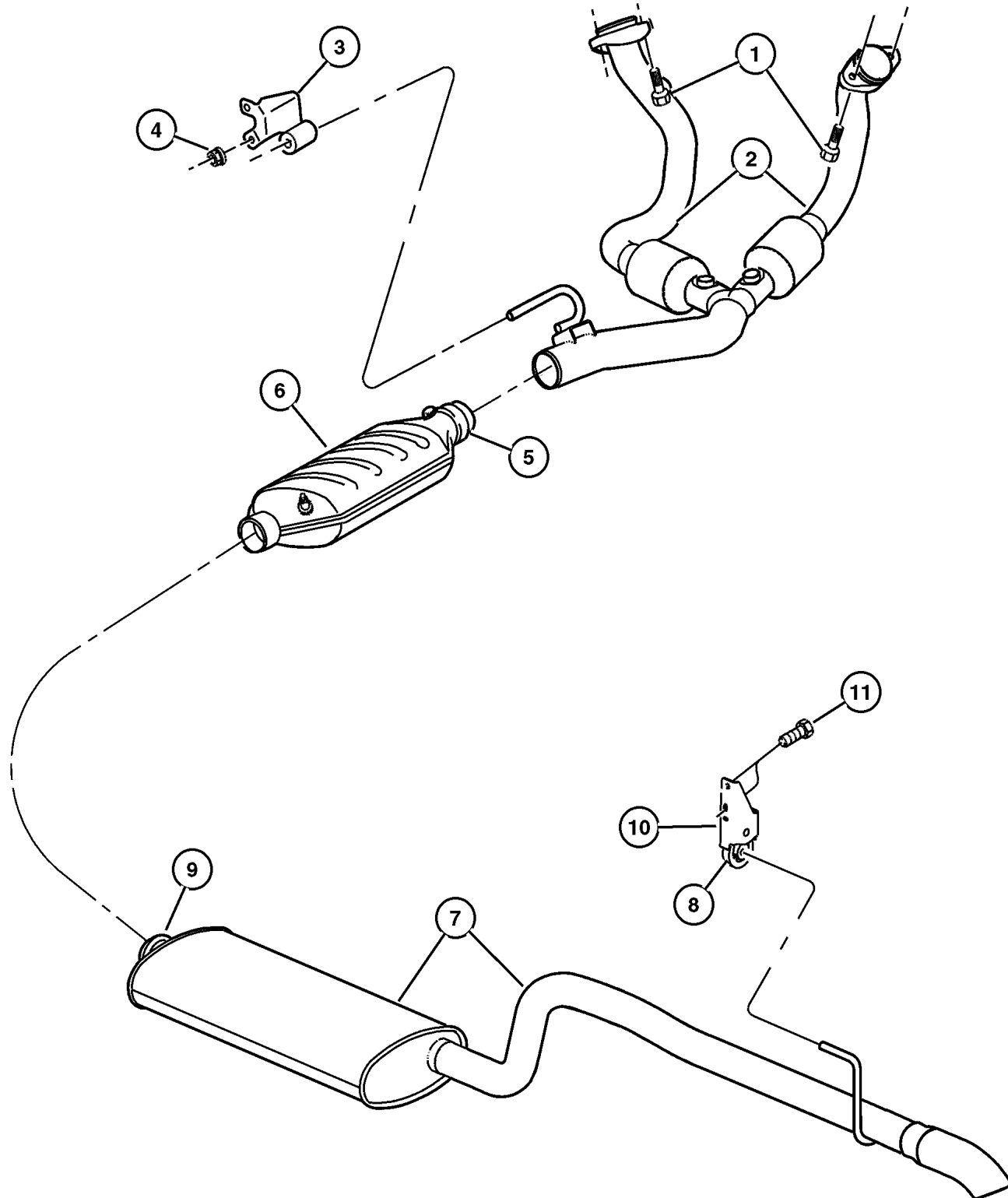
JEEP GRAND CHEROKEE (WJ)

SERIES	LINE	BODY	ENGINE	TRANSMISSION
H = Laredo	J = 4WD	74 = 4 Door	ERH = 4.0L, Power Tech I-6	DGK = 4 Speed Autm, 42RE
M = Sport	T = 2WD		EVA = 4.7L, Power Tech V8	DGQ = 5 Speed Automatic, 45RFE
P = Limited			EVC = 4.7L HO V8 MPI	DG0 = All Automatic Transm
S = Overland			ERO = All 4.0L 6 Cyl Gas	
			EVO = All 4.7l Gas	

AR = Use as required - = Non illustrated part # = New this model year

May 1, 2002

**Exhaust System, 4.7 [EVA,EVC]
Figure 011-120**



ITEM	PART NUMBER	QTY	LINE	SERIES	BODY	ENGINE	TRANS	DESCRIPTION
Note; Sales Codes ake Shoe Return Spring Lower.								
[EVA]= 4.7L Power Tech V-8 ake Shoe Return Spring Lower.								
[EVC]= 4.7L Power Tech High Output V-8 ake Shoe Return Spring Lower.								
[EVO]= All 4.7L Gas Engines ake Shoe Return Spring Lower.								
1	6506 012AA	4				EVO		SCREW, Hex Head
2	#52101 235AB	1				EVO		PIPE AND CONVERTER, Exhaust
3	52101 018AC	1				EVO		HANGER, Exhaust
4	6502 696	2				EVO		NUT, Hex Flange Lock, M10x1.5
5								CLAMP, Serviced With Cnverter, (NOT SERVICED)
6	#52080 276AA	1				EVO		CONVERTER, Catalytic
7								MUFFLER AND TAILPIPE, Exhaust
	#52101 237AB	1				EVA		
	#52080 335AA	1				EVC		
8	52101 068AA	1						INSULATOR, Exhaust
9								CLAMP, Exhaust, Serviced With Muffler and Tailpipe, (NOT SERVICED)
10	52101 141AD	1						HANGER, Tailpipe
11								SCREW, (NOT SERVICED)

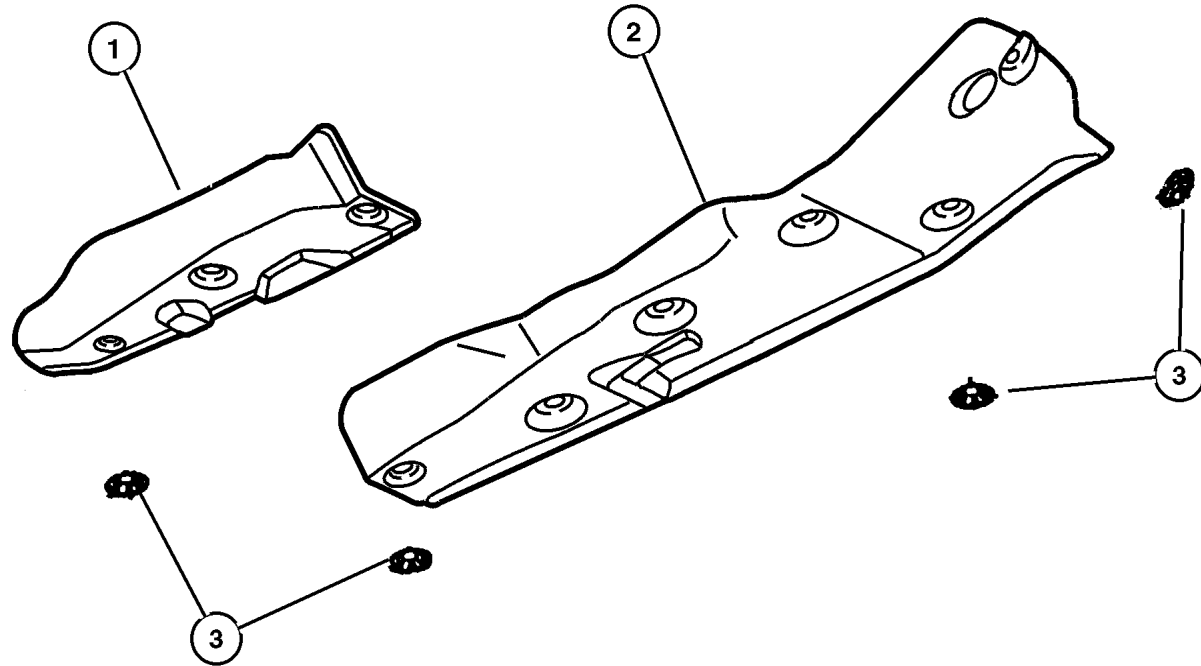
JEEP GRAND CHEROKEE (WJ)				
SERIES	LINE	BODY	ENGINE	TRANSMISSION
H = Laredo	J = 4WD	74 = 4 Door	ERH = 4.0L, Power Tech I-6	DGK = 4 Speed Autm, 42RE
M = Sport	T = 2WD		EVA = 4.7L, Power Tech V8	DGQ = 5 Speed Automatic, 45RFE
P = Limited			EVC = 4.7L HO V8 MPI	DG0 = All Automatic Transm
S = Overland			ERO = All 4.0L 6 Cyl Gas	
			EVO = All 4.7l Gas	

AR = Use as required - = Non illustrated part # = New this model year

May 1, 2002

**Heat Shields, 4.0 [ERH], 4.7 [EVA, EVC]
Figure 011-210**

ITEM	PART NUMBER	QTY	LINE	SERIES	BODY	ENGINE	TRANS	DESCRIPTION
1	#55137 210AC	1						SHIELD, Heat
2	#55135 712AF	1						SHIELD, Heat
3								NUT, Heat Shield Attach, M5x1.60, (NOT SERVICED)
-4	#53013 669AA	1				ER0		SHIELD, Exhaust Manifold
-5	6503 683	1				ER0		PIN, Push



JEEP GRAND CHEROKEE (WJ)				
SERIES	LINE	BODY	ENGINE	TRANSMISSION
H = Laredo	J = 4WD	74 = 4 Door	ERH = 4.0L, Power Tech I-6	DGK = 4 Speed Autm, 42RE
M = Sport	T = 2WD		EVA = 4.7L, Power Tech V8	DGQ = 5 Speed Automatic, 45RFE
P = Limited			EVC = 4.7L HO V8 MPI	DG0 = All Automatic Transm
S = Overland			ERO = All 4.0L 6 Cyl Gas	
			EVO = All 4.7l Gas	

AR = Use as required - = Non illustrated part # = New this model year

May 1, 2002

Group – 013

Frames and Bumpers

GROUP 13 - Frames and Bumpers

Illustration Title

Group-Fig. No.

Front Bumper and Fascia

Bumper, Front Fig. 013-240

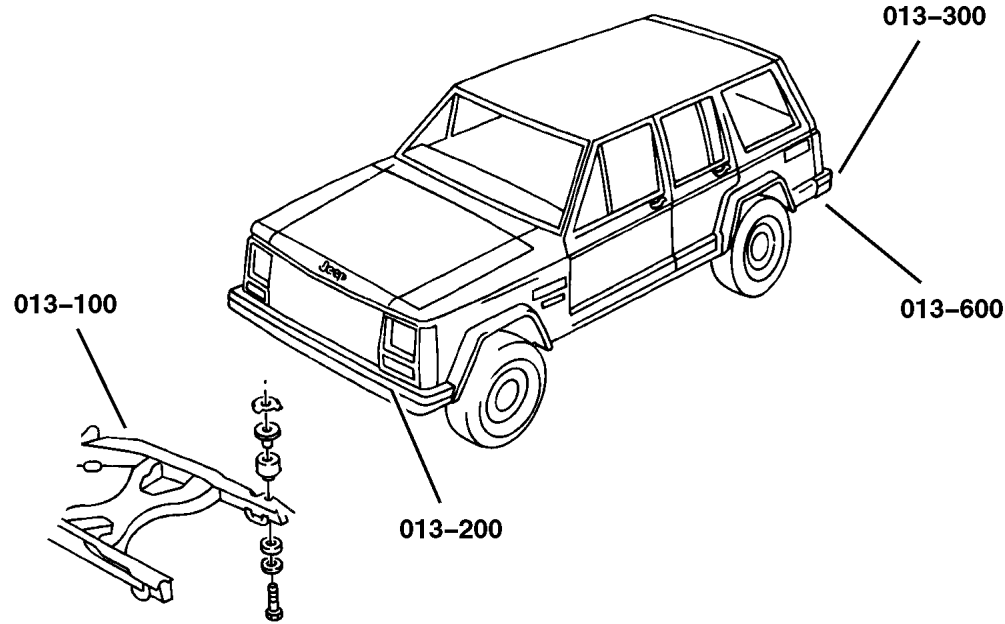
Rear Bumper and Fascia

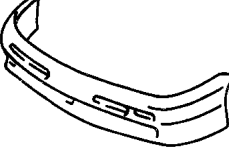


Bumper, Rear Fig. 013-340

Trailer Tow

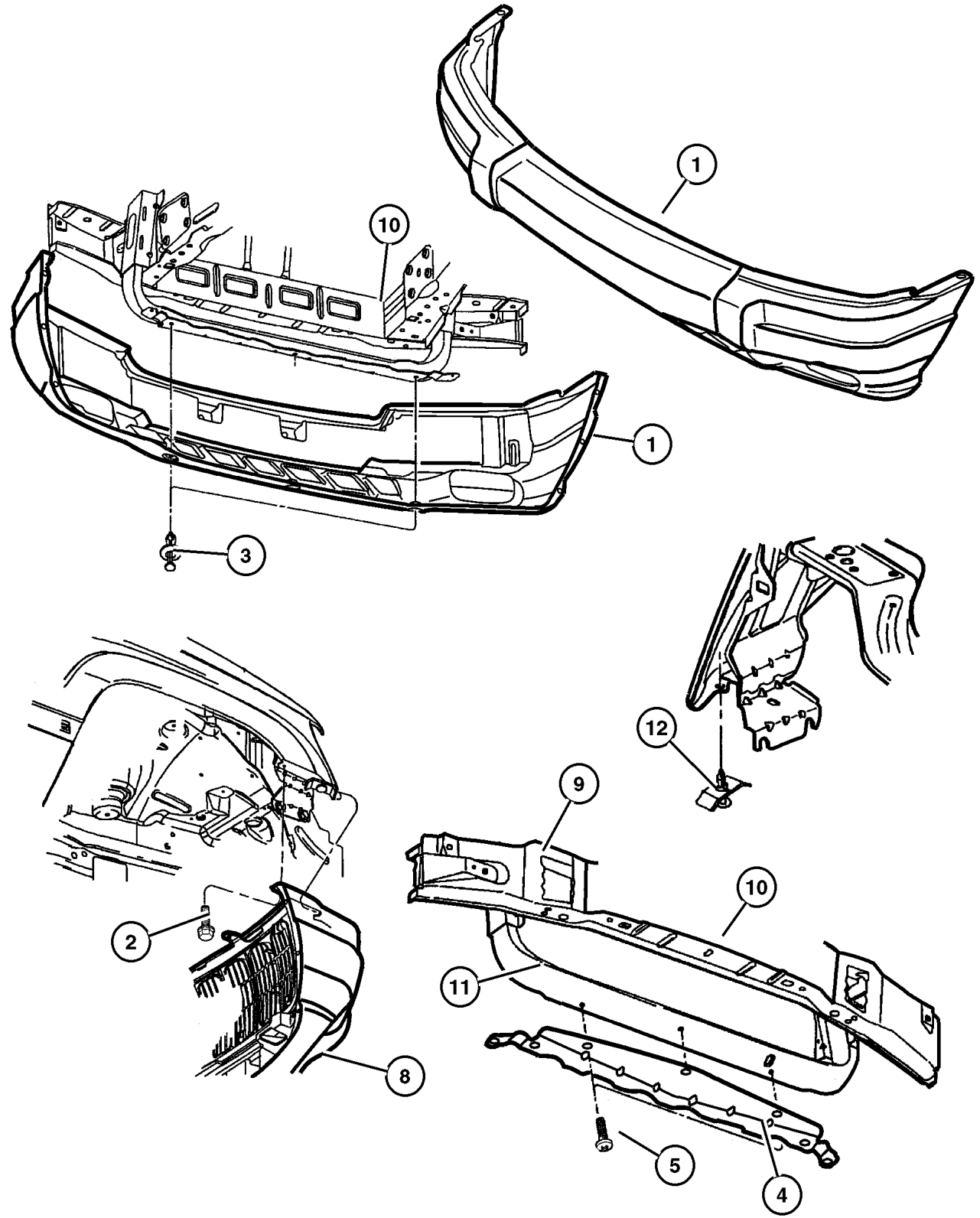
Tow Eye Fig. 013-610

Rear Hitch Fig. 013-620



<p>013-200 Front Bumper and Fascia</p> 	<p>013-300 Rear Bumper and Fascia</p> 	<p>013-600 Trailer Tow</p> 	
---	--	---	--

Bumper, Front
Figure 013-240



ITEM	PART NUMBER	QTY	LINE	SERIES	BODY	DESCRIPTION
1						FASCIA, Front
	5EU79 XS9AB	1		H		[Up to 8-2-01] Without Fog Lamps, [BQ,BT,JR,X8,DR,EL,RV,S5,UB,W1]
	5EU79 VF7AB	1		H		[DR] [After 8-2-01] Without Fog Lamps [LNJ]
		1		H		[EL] [After 8-2-01] Without Fog Lamps [LNJ]
		1		H		[FF] [After 5-1-02] Without Fog Lamps [LNJ]
		1		H		[RV][After 8-2-01] Without Fog Lamps [LNJ]
		1		H		[S5] [After 8-2-01] Without Fog Lamps [LNJ]
		1		H		[UB] [After 8-2-01] Without Fog Lamps [LNJ]
		1		H		[W1] [After 8-2-01] Without Fog Lamps [LNJ]
	5EU79 XS9AB	1		H		[BQ] [After 8-2-01] Without Fog Lamps [LNJ]
		1		H		[BT] [After 8-2-01] Without Fog Lamps [LNJ]
		1		H		[JR] [After 8-2-01] Without Fog Lamps [LNJ]
		1		H		[SB] [After 1-1-02] Without Fog Lamps [LNJ]
		1		H		[XR] [After 3-1-02] Without Fog Lamps [LNJ]
		1		H		[X8] [After 8-2-01] Without Fog Lamps [LNJ]
	5FN29 XS9AB	1		H		[Up to 8-2-01] With Fog Lamps, [BQ,BT,JR,X8,DR,EL,RV,S5,UB,W1]
	5083 100AA	1		H		[PAR] With [ALZ]
	5FN29 VF7AB	1		H		[DR] [After 8-2-01] With Fog Lamps [LNJ]
		1		H		[EL] [After 8-2-01] With Fog Lamps [LNJ]
		1		H		[FF] [After 5-1-02] With Fog Lamps [LNJ]
		1		H		[RV][After 8-2-01] With Fog Lamps [LNJ]
		1		H		[S5] [After 8-2-01] With Fog Lamps [LNJ]
		1		H		[UB] [After 8-2-01] With Fog Lamps [LNJ]
		1		H		[W1] [After 8-2-01] With Fog Lamps [LNJ]
	5FN29 XS9AB	1		H		[BQ] [After 8-2-01] With Fog Lamps [LNJ]
		1		H		[BT] [After 8-2-01] With Fog Lamps [LNJ]
		1		H		[JR] [After 8-2-01] With Fog Lamps [LNJ]
		1		H		[SB] [After 1-1-02] With Fog Lamps [LNJ]
		1		H		[XR] [After 3-1-02] With Fog Lamps [LNJ]
		1		H		[X8] [After 8-2-01] With Fog Lamps [LNJ]
	5EU79 XS9AB	1		M		[Up to 8-2-01] Without Fog Lamps, [BQ,BT,JR,X8,DR,EL,RV,S5,UB,W1]
	5FN29 XS9AB	1		M		[Up to 8-2-01] With Fog Lamps, [BQ,BT,JR,X8,DR,EL,RV,S5,UB,W1]
	5FN29 VF7AB	1		M		[DR] [After 8-2-01] With Fog Lamps [LNJ]
		1		M		[EL] [After 8-2-01] With Fog Lamps [LNJ]
		1		M		[FF] [After 5-1-02] With Fog Lamps [LNJ]
		1		M		[RV][After 8-2-01] With Fog Lamps [LNJ]
		1		M		[S5] [After 8-2-01] With Fog Lamps [LNJ]

JEEP GRAND CHEROKEE (WJ)

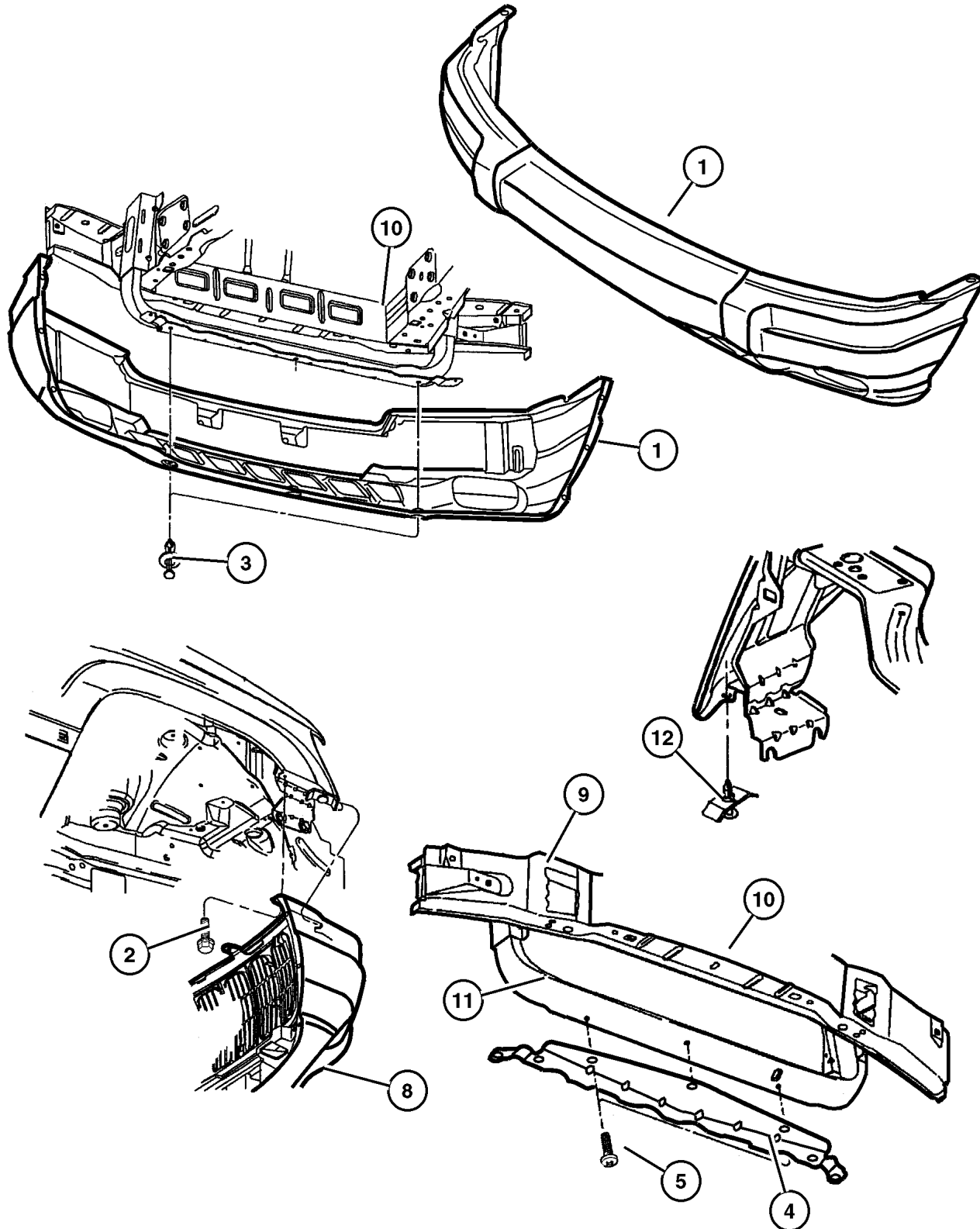
SERIES	LINE	BODY	ENGINE	TRANSMISSION
H = Laredo	J = 4WD	74 = 4 Door	ERH = 4.0L, Power Tech I-6	DGK = 4 Speed Autm, 42RE
M = Sport	T = 2WD		EVA = 4.7L, Power Tech V8	DGQ = 5 Speed Automatic, 45RFE
P = Limited			EVC = 4.7L HO V8 MPI	DG0 = All Automatic Transm
S = Overland			ERO = All 4.0L 6 Cyl Gas	
			EVO = All 4.7L Gas	

AR = Use as required - = Non illustrated part # = New this model year

May 1, 2002

Bumper, Front Figure 013-240

ITEM	PART NUMBER	QTY	LINE	SERIES	BODY	DESCRIPTION
		1		M		[UB] [After 8-2-01] With Fog Lamps [LNJ]
		1		M		[W1] [After 8-2-01] With Fog Lamps [LNJ]
	5FN29 XS9AB	1		M		[BQ] [After 8-2-01] With Fog Lamps [LNJ]
		1		M		[BT] [After 8-2-01] With Fog Lamps [LNJ]
		1		M		[JR] [After 8-2-01] With Fog Lamps [LNJ]
		1		M		[SB] [After 1-1-02] With Fog Lamps [LNJ]
		1		M		[XR] [After 3-1-02] With Fog Lamps [LNJ]
		1		M		[X8] [After 8-2-01] With Fog Lamps [LNJ]
	5083 100AA	1		P		[PAR]
	#5072 588AA	1		S		[PAR]
2	6505 813AA	2				SCREW, Hex Flange Head
3	5517 6248	3				PIN, Push
4	55296 138AA	1				BRACKET, Fascia
5	5517 6248	3				PIN, Push
-6						SCREW, (NOT SERVICED)
-7	6505 813AA	2				SCREW, Hex Flange Head
8	55155 750AA	1				LICENSE PLATE KIT
9	5513 5880	1				CROSSMEMBER, Radiator, Front Lower Front
10	#55136 113AD	1				CROSSMEMBER, Radiator
11	#55135 870AD	1				CROSSMEMBER, Radiator
12	6505 361AA	2				PIN, Push
-13	5515 5165	1		H		BUMPER, Fascia, Front
-14	5515 5505	1		P		ABSORBER, Front Energy, Limited
-15	6505 667AA	4				PIN, Deflector



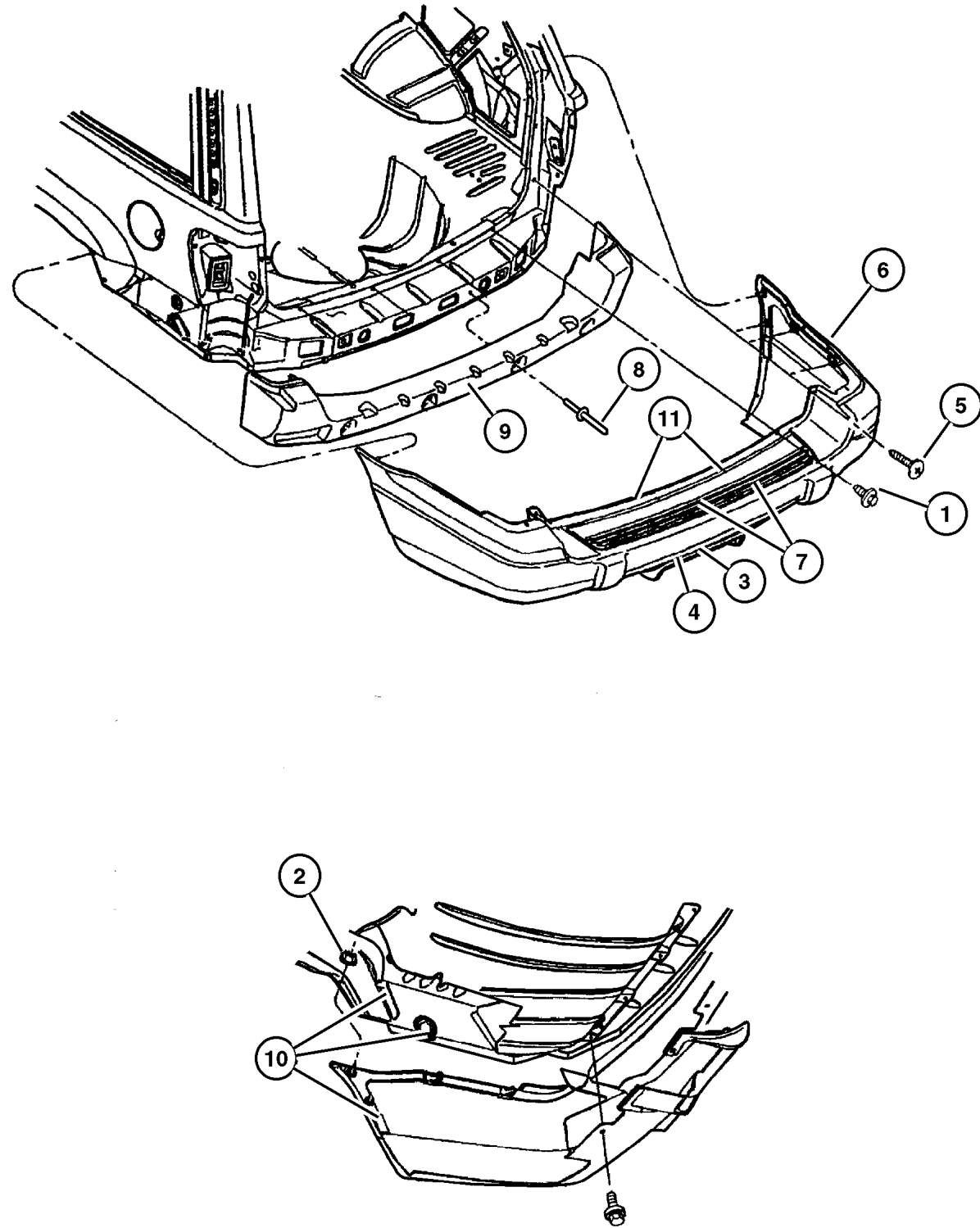
JEEP GRAND CHEROKEE (WJ)

SERIES	LINE	BODY	ENGINE	TRANSMISSION
H = Laredo	J = 4WD	74 = 4 Door	ERH = 4.0L, Power Tech I-6	DGK = 4 Speed Autm, 42RE
M = Sport	T = 2WD		EVA = 4.7L, Power Tech V8	DGQ = 5 Speed Automatic, 45RFE
P = Limited			EVC = 4.7L HO V8 MPI	DG0 = All Automatic Transm
S = Overland			ERO = All 4.0L 6 Cyl Gas	
			EVO = All 4.7I Gas	

AR = Use as required - = Non illustrated part # = New this model year

May 1, 2002

Bumper, Rear Figure 013-340



ITEM	PART NUMBER	QTY	LINE	SERIES	BODY	DESCRIPTION
1	5517 6248	3				PIN, Push
2						NUT AND WASHER, Hex, M6x1.0, (NOT SERVICED)
3	3420 1631	6				RIVET, M6.25x28 Black
4	6505 813AA	2				SCREW, Hex Flange Head
5	6035 412	1				SCREW
6						FASCIA, Rear
	5EU81 XS9AB	1		H		[Up to 8-2-01] Without Trailer Tow, [BQ,BT,JR,X8,DR,EL,RV,S5,UB,W1]
	5EU81 VF7AB	1		H		[DR] [After 8-2-01] Without Trailer Tow [AHT,AHX]
		1		H		[EL] [After 8-2-01] Without Trailer Tow [AHT,AHX]
		1		H		[FF] [After 5-1-02] Without Trailer Tow [AHT,AHX]
		1		H		[RV] [After 8-2-01] Without Trailer Tow [AHT,AHX]
		1		H		[S5] [After 8-2-01] Without Trailer Tow [AHT,AHX]
		1		H		[UB] [After 8-2-01] Without Trailer Tow [AHT,AHX]
		1		H		[W1] [After 8-2-01] Without Trailer Tow [AHT,AHX]
	5EU81 XS9AB	1		H		[BQ] [After 8-2-01] Without Trailer Tow [AHT,AHX]
		1		H		[BT] [After 8-2-01] Without Trailer Tow [AHT,AHX]
		1		H		[JR] [After 8-2-01] Without Trailer Tow [AHT,AHX]
		1		H		[SB] [After 1-1-02] Without Trailer Tow [AHT,AHX]
		1		H		[XR] [After 3-1-02] Without Trailer Tow [AHT,AHX]
		1		H		[X8] [After 8-2-01] Without Trailer Tow [AHT,AHX]
	TK66 XS9AA	1		H		[Up to 8-2-01] With Trailer Tow, [BQ,BT,JR,X8,DR,EL,RV,S5,UB,W1]
	TK66 VF7AA	1		H		[DR] [After 8-2-01] With Trailer Tow [AHT,AHX]
		1		H		[EL] [After 8-2-01] With Trailer Tow [AHT,AHX]
		1		H		[FF] [After 5-1-02] With Trailer Tow [AHT,AHX]
		1		H		[RV] [After 8-2-01] With Trailer Tow [AHT,AHX]
		1		H		[S5] [After 8-2-01] With Trailer Tow [AHT,AHX]
		1		H		[UB] [After 8-2-01] With Trailer Tow [AHT,AHX]
		1		H		[W1] [After 8-2-01] With Trailer Tow [AHT,AHX]
	TK66 XS9AB	1		H		[BQ] [After 8-2-01] With Trailer Tow [AHT,AHX]
		1		H		[BT] [After 8-2-01] With Trailer Tow [AHT,AHX]
		1		H		[JR] [After 8-2-01] With Trailer Tow [AHT,AHX]
	TK66 XS9AA	1		H		[SB] [After 1-1-02] With Trailer Tow [AHT,AHX]
		1		H		[XR] [After 3-1-02] With Trailer Tow [AHT,AHX]
	TK66 XS9AB	1		H		[X8] [After 8-2-01] With Trailer Tow [AHT,AHX]
	5012 804AA	1		H		[PAR] Without Trailer Tow [AHT,AHX] With [ALZ]
	5012 936AA	1		H		[PAR] With Trailer Tow [AHT,AHX] With [ALZ]
	5EU81 VF7AB	1		M		[DR] [After 8-2-01] Without Trailer Tow [AHT,AHX]
		1		M		[EL] [After 8-2-01] Without Trailer Tow [AHT,AHX]
		1		M		[FF] [After 5-1-02] Without Trailer Tow [AHT,AHX]

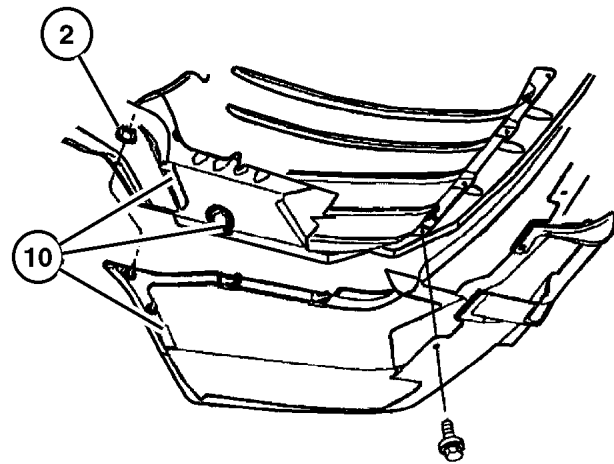
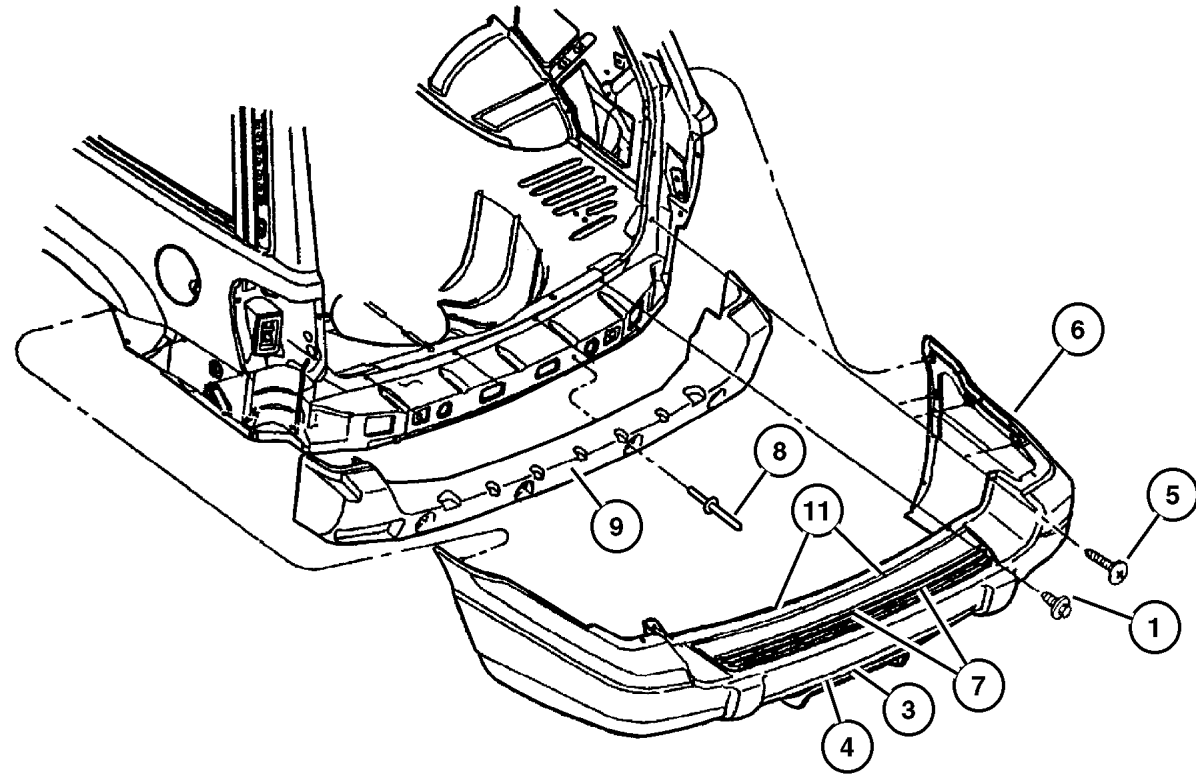
JEEP GRAND CHEROKEE (WJ)

SERIES	LINE	BODY	ENGINE	TRANSMISSION
H = Laredo	J = 4WD	74 = 4 Door	ERH = 4.0L, Power Tech I-6	DGK = 4 Speed Autm, 42RE
M = Sport	T = 2WD		EVA = 4.7L, Power Tech V8	DGQ = 5 Speed Automatic, 45RFE
P = Limited			EVC = 4.7L HO V8 MPI	DG0 = All Automatic Transm
S = Overland			ERO = All 4.0L 6 Cyl Gas	
			EVO = All 4.7L Gas	

AR = Use as required - = Non illustrated part # = New this model year

May 1, 2002

Bumper, Rear Figure 013-340



ITEM	PART NUMBER	QTY	LINE	SERIES	BODY	DESCRIPTION
		1		M		[RV] [After 8-2-01] Without Trailor Tow [AHT,AHX]
		1		M		[S5] [After 8-2-01] Without Trailor Tow [AHT,AHX]
		1		M		[UB] [After 8-2-01] Without Trailor Tow [AHT,AHX]
		1		M		[W1] [After 8-2-01] Without Trailor Tow [AHT,AHX]
	5EU81 XS9AB	1		M		[BQ] [After 8-2-01] Without Trailor Tow [AHT,AHX]
		1		M		[BT] [After 8-2-01] Without Trailor Tow [AHT,AHX]
		1		M		[JR] [After 8-2-01] Without Trailor Tow [AHT,AHX]
		1		M		[SB] [After 1-1-02] Without Trailor Tow [AHT,AHX]
		1		M		[XR] [After 3-1-02] Without Trailor Tow [AHT,AHX]
	TK66 XS9AA	1		M		[X8] [After 8-2-01] Without Trailor Tow [AHT,AHX]
	TK66 VF7AA	1		M		[Up to 8-2-01] With Trailor Tow, [BQ,BT,JR,X8,DR,EL,RV,S5,UB,W1]
		1		M		[DR] [After 8-2-01] With Trailor Tow [AHT,AHX]
		1		M		[EL] [After 8-2-01] With Trailor Tow [AHT,AHX]
		1		M		[FF] [After 5-1-02] With Trailor Tow [AHT,AHX]
		1		M		[RV] [After 8-2-01] With Trailor Tow [AHT,AHX]
		1		M		[S5] [After 8-2-01] With Trailor Tow [AHT,AHX]
		1		M		[UB] [After 8-2-01] With Trailor Tow [AHT,AHX]
	TK66 XS9AA	1		M		[W1] [After 8-2-01] With Trailor Tow [AHT,AHX]
		1		M		[BQ] [After 8-2-01] With Trailor Tow [AHT,AHX]
		1		M		[BT] [After 8-2-01] With Trailor Tow [AHT,AHX]
		1		M		[JR] [After 8-2-01] With Trailor Tow [AHT,AHX]
		1		M		[SB] [After 1-1-02] With Trailor Tow [AHT,AHX]
		1		M		[XR] [After 3-1-02] With Trailor Tow [AHT,AHX]
		1		M		[X8] [After 8-2-01] With Trailor Tow [AHT,AHX]
	5012 804AA	1		P		[PAR] Without Trailor Tow [AHT,AHX]
	5012 936AA	1		P		[PAR] With Trailor Tow [AHT,AHX]
	5012 804AA	1		S		[PAR] Without Trailor Tow [AHT,AHX]
	5012 936AA	1		S		[PAR] With Trailor Tow [AHT,AHX]
7						STEP PAD PACKAGE, Rear Fascia
	WC12 DX9AA	1		P		
	WC12 VF7AA	1		S		
	WC12 DX9AA	1		H		
		1		M		
8						RIVET, (NOT SERVICED)
9						ABSORBER, Rear Energy
	5515 5166	1		H, M		Laredo
	5515 5506	1		P, S		Limited And Overland
10						RETAINER PACKAGE, Fascia
	5015 522AB	1		P		Limited, Right
	5015 523AB	1		P		Limited, Left

JEEP GRAND CHEROKEE (WJ)

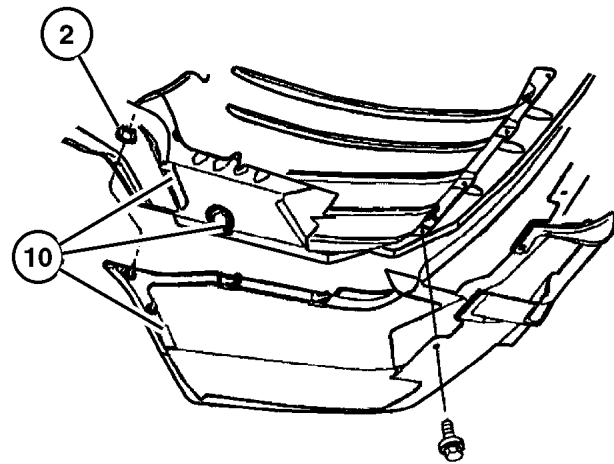
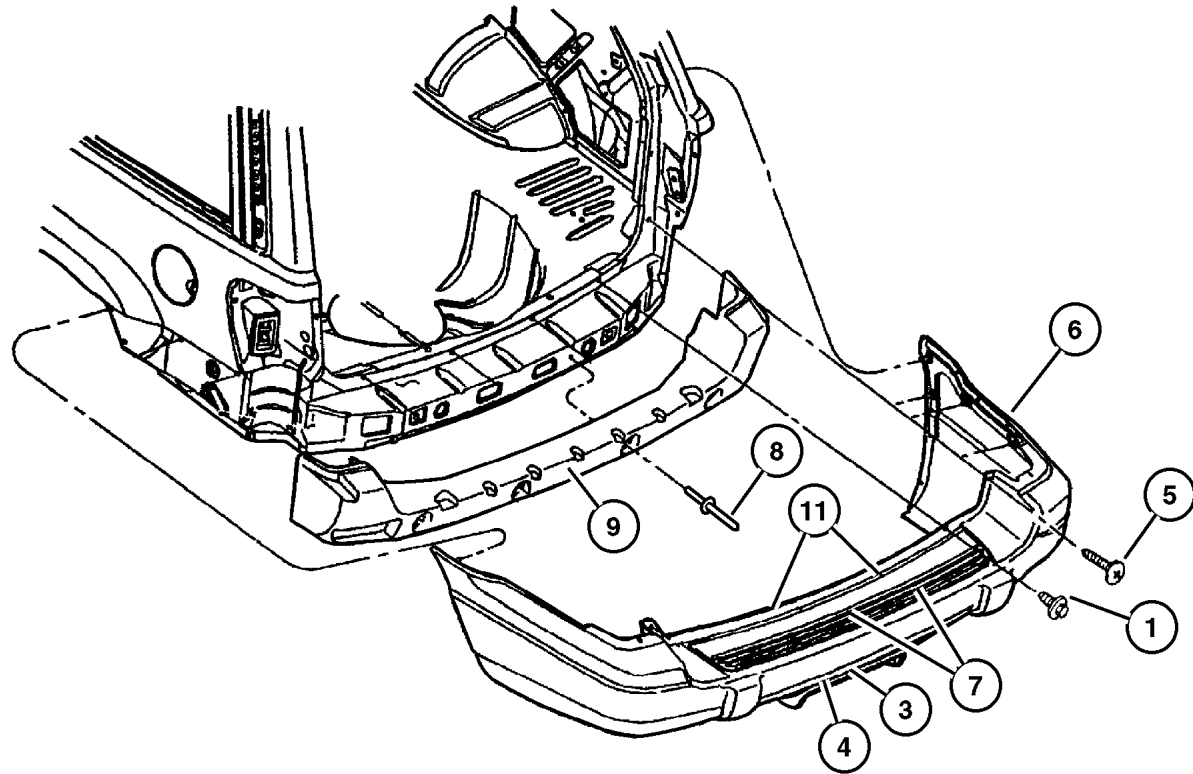
SERIES	LINE	BODY	ENGINE	TRANSMISSION
H = Laredo	J = 4WD	74 = 4 Door	ERH = 4.0L, Power Tech I-6	DGK = 4 Speed Autm, 42RE
M = Sport	T = 2WD		EVA = 4.7L, Power Tech V8	DGQ = 5 Speed Automatic, 45RFE
P = Limited			EVC = 4.7L HO V8 MPI	DG0 = All Automatic Transm
S = Overland			ERO = All 4.0L 6 Cyl Gas	
			EVO = All 4.7L Gas	

AR = Use as required - = Non illustrated part # = New this model year

May 1, 2002

Bumper, Rear
Figure 013-340

ITEM	PART NUMBER	QTY	LINE	SERIES	BODY	DESCRIPTION
	5015 522AB	1		H		Laredo, Right
	5015 523AB	1		H		Laredo, Left
11	6503 106	8				RETAINER, Push In Type M6.3 Hole



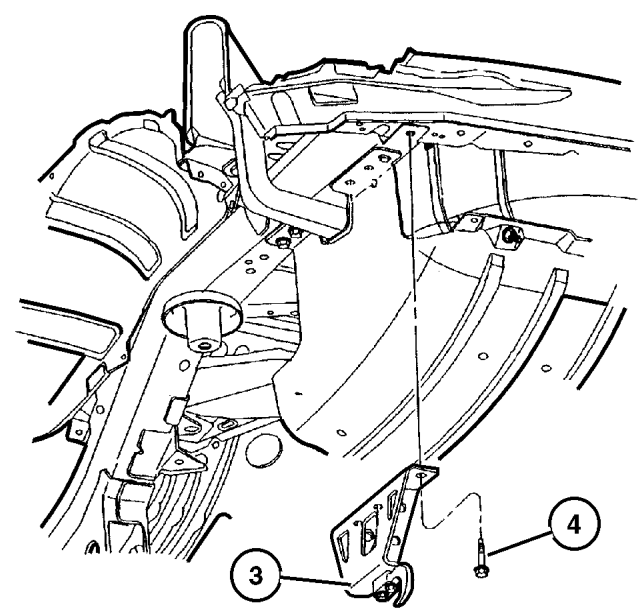
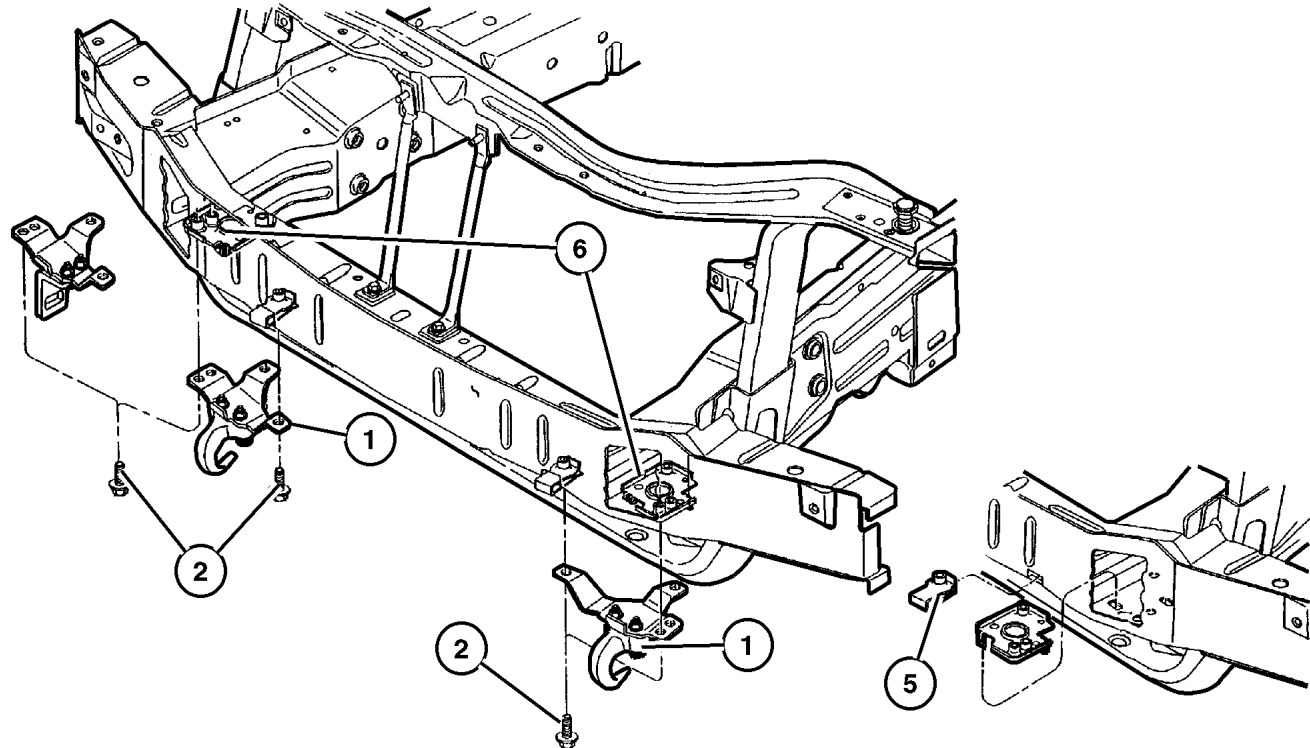
JEEP GRAND CHEROKEE (WJ)

SERIES	LINE	BODY	ENGINE	TRANSMISSION
H = Laredo	J = 4WD	74 = 4 Door	ERH = 4.0L, Power Tech I-6	DGK = 4 Speed Autm, 42RE
M = Sport	T = 2WD		EVA = 4.7L, Power Tech V8	DGQ = 5 Speed Automatic, 45RFE
P = Limited			EVC = 4.7L HO V8 MPI	DG0 = All Automatic Transm
S = Overland			ERO = All 4.0L 6 Cyl Gas	
			EVO = All 4.7l Gas	

AR = Use as required - = Non illustrated part # = New this model year

May 1, 2002

**Tow Eye
Figure 013-610**



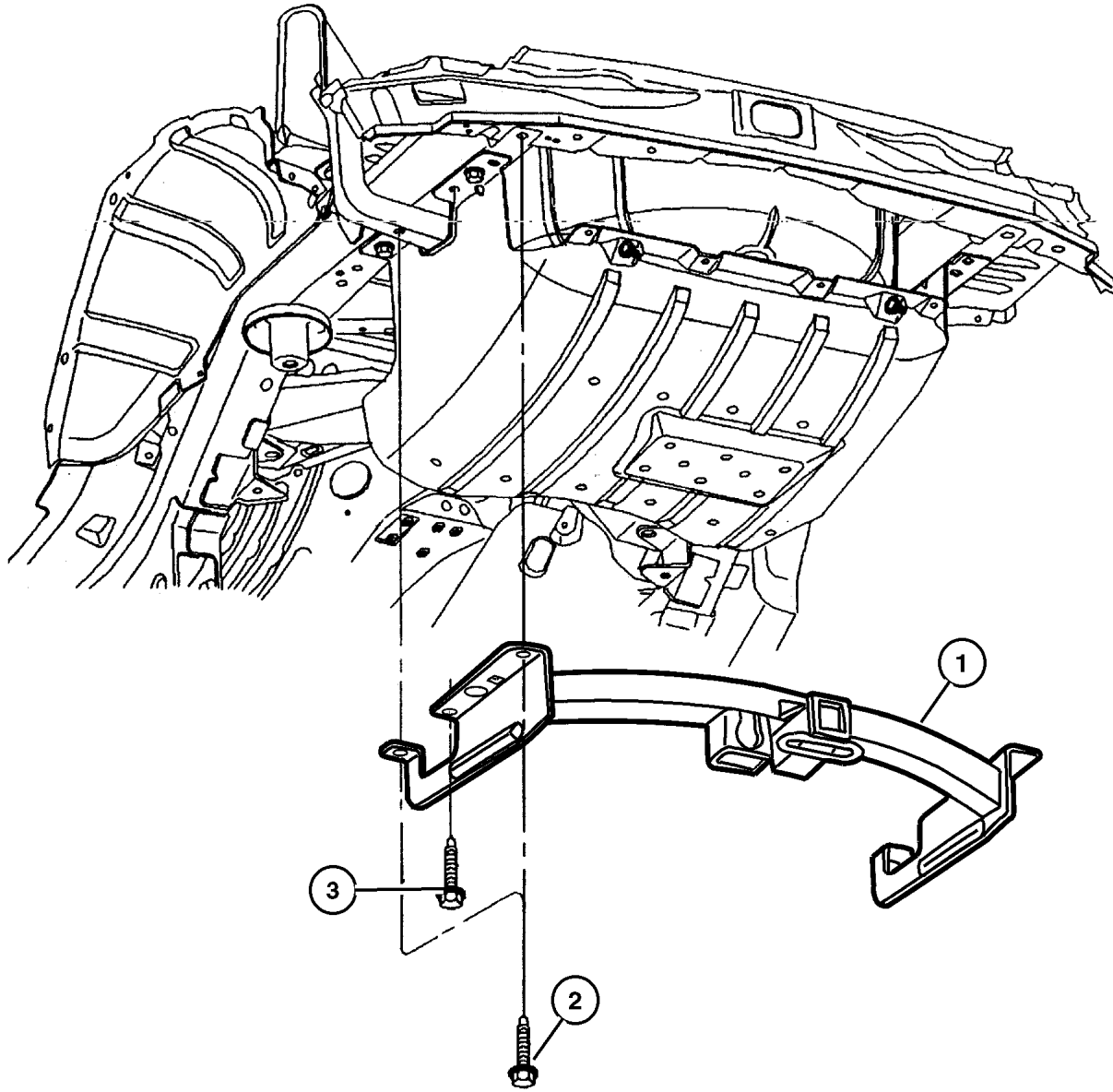
ITEM	PART NUMBER	QTY	LINE	SERIES	BODY	DESCRIPTION
1						HOOK, Tow
	52059 415AA	1				Chrome, Right Front
	52059 416AA	1				Chrome, Left Front
2	6101 102	7				BOLT, Hex Head, M12x1.75x45
3						HOOK, Tow
	52059 415AA	1				Chrome, Right Rear
	52059 416AA	1				Chrome, Left Rear
4						SCREW AND WASHER, M10x1.50x35, (NOT SERVICED)
5						NUT, (NOT SERVICED)
6						TAPPING PLATE, Tow Hook
	52059 156AA	1				Right
	52059 157AA	1				Left

JEEP GRAND CHEROKEE (WJ)				
SERIES	LINE	BODY	ENGINE	TRANSMISSION
H = Laredo	J = 4WD	74 = 4 Door	ERH = 4.0L, Power Tech I-6	DGK = 4 Speed Autm, 42RE
M = Sport	T = 2WD		EVA = 4.7L, Power Tech V8	DGQ = 5 Speed Automatic, 45RFE
P = Limited			EVC = 4.7L HO V8 MPI	DG0 = All Automatic Transm
S = Overland			ERO = All 4.0L 6 Cyl Gas	
			EVO = All 4.7I Gas	

AR = Use as required - = Non illustrated part # = New this model year

Rear Hitch
Figure 013-620

ITEM	PART NUMBER	QTY	LINE	SERIES	BODY	DESCRIPTION
1	8220 6837	1	J, T	H, P	74	RECEIVER KIT, Trailer Tow
2	6101 102	7				BOLT, Hex Head, M12x1.75x45
3	6503 571	4				SCREW AND WASHER, M10x1.50x35
-4	52059 238AA	1				BRACE, Tow Hook



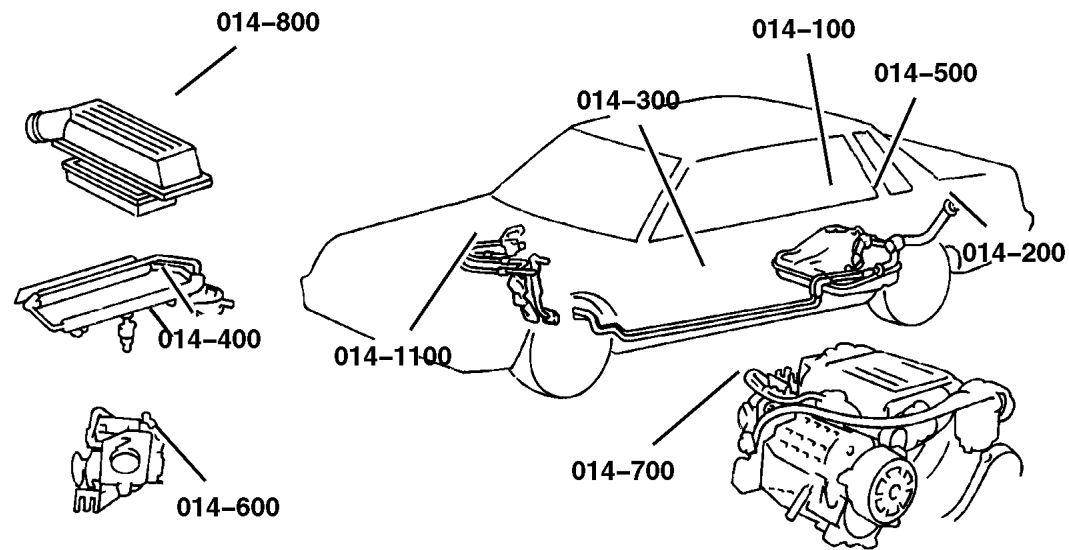
JEEP GRAND CHEROKEE (WJ)				
SERIES	LINE	BODY	ENGINE	TRANSMISSION
H = Laredo	J = 4WD	74 = 4 Door	ERH = 4.0L, Power Tech I-6	DGK = 4 Speed Autm, 42RE
M = Sport	T = 2WD		EVA = 4.7L, Power Tech V8	DGQ = 5 Speed Automatic, 45RFE
P = Limited			EVC = 4.7L HO V8 MPI	DG0 = All Automatic Transm
S = Overland			ERO = All 4.0L 6 Cyl Gas	
			EVO = All 4.7l Gas	

AR = Use as required - = Non illustrated part # = New this model year

May 1, 2002

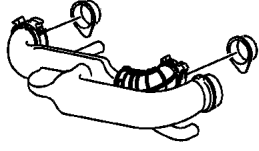
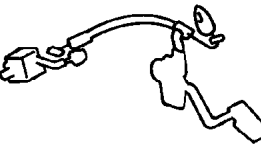

Group – 014

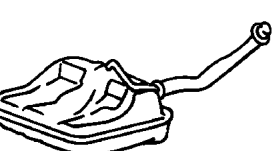

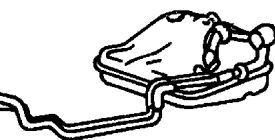
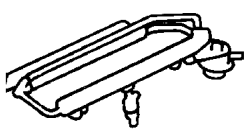
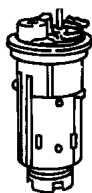

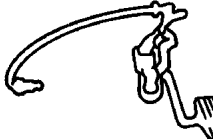
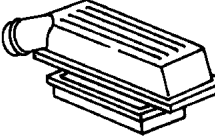
Fuel



Group – 014

Fuel

<p>014-900 Air Intake System</p> 	<p>014-1000 Speed Control</p> 	<p>014-1100 Accelerator Pedal</p> 	
---	--	--	--

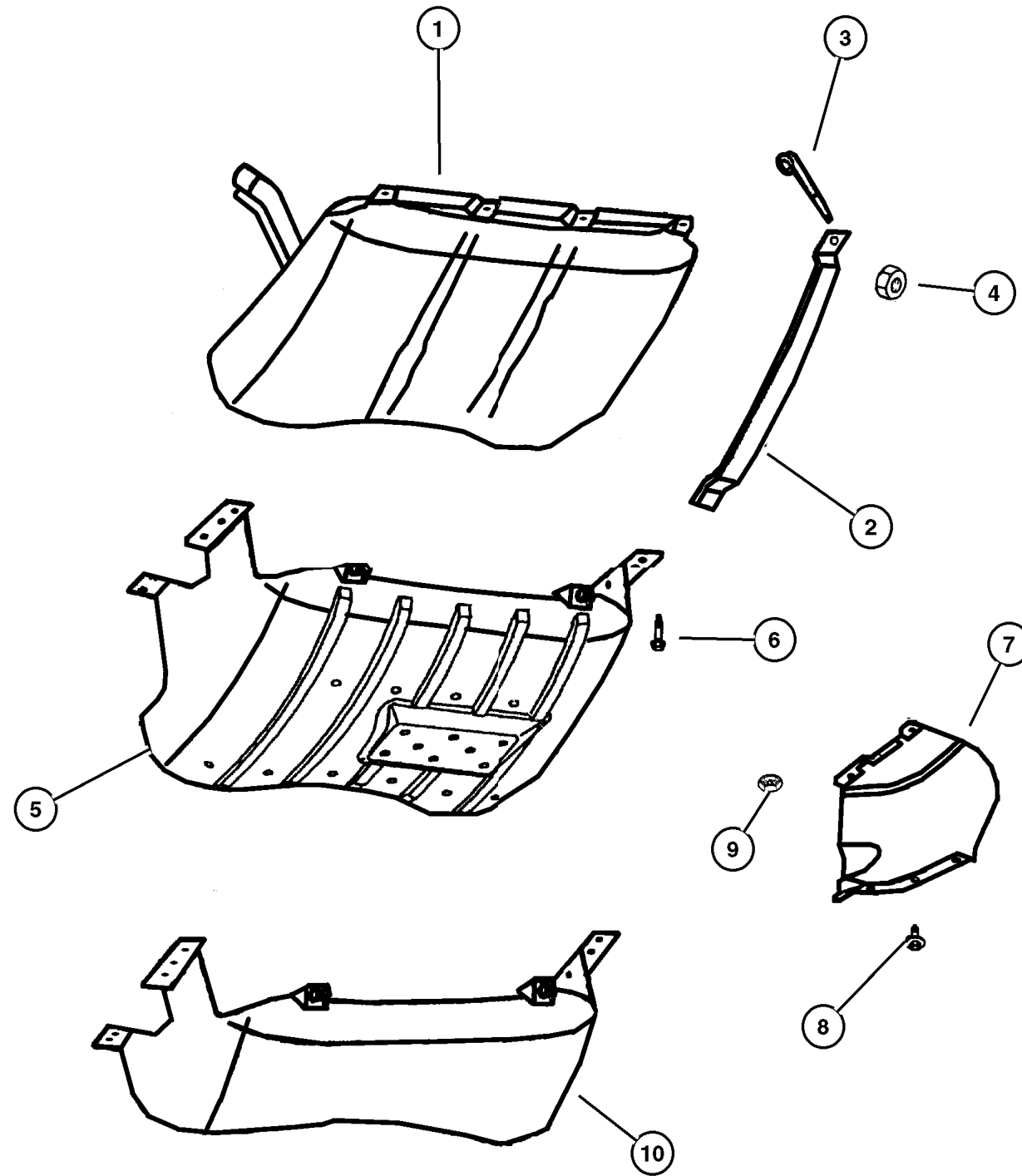
<p>014-100 Tank, Fuel</p> 	<p>014-200 Fuel Tank Filler Tube</p> 	<p>014-300 Fuel Lines</p> 	<p>014-400 Fuel Rail</p> 
<p>014-500 Fuel Pump and Sending Unit</p> 	<p>014-600 Throttle Body</p> 	<p>014-700 Throttle Controls</p> 	<p>014-800 Air Cleaner</p> 

GROUP 14 - Fuel

Illustration Title	Group-Fig. No.
Tank, Fuel	
Fuel Tank, 4.0 [ERH], 4.7 [EVA, EVC]	Fig. 014-110
Fuel Tank Filler Tube	
Fuel Tank Filler Tube, 4.0 [ERH], 4.7 [EVA, EVC]	Fig. 014-210
Fuel Lines	
Fuel Lines, Front, 4.0 [ERH]	Fig. 014-310
Fuel Lines, Rear, 4.0 [ERH]	Fig. 014-320
Fuel Lines, Front, 4.7 [EVA, EVC]	Fig. 014-330
Fuel Lines, Rear, 4.7 [EVA, EVC]	Fig. 014-340
Fuel Rail	
Fuel Rail, 4.0 [ERH], 4.7 [EVA, EVC]	Fig. 014-410
Fuel Pump and Sending Unit	
Fuel Pump and Sending Unit, 4.0 [ERH], 4.7 [EVA, EVC]	Fig. 014-510
Throttle Body	
Throttle Body, 4.0 [ERH], 4.7 [EVA, EVC]	Fig. 014-610
Throttle Controls	
Throttle Controls, 4.0 [ERH]	Fig. 014-710
Throttle Controls, 4.7 [EVA, EVC]	Fig. 014-720
Air Cleaner	
Air Cleaner, 4.0 [ERH]	Fig. 014-810
Air Cleaner, 4.7 [EVA, EVC]	Fig. 014-820
Air Intake System	
Air Intake System, 4.0L [ERH], 4.7L [EVA]	Fig. 014-910
Speed Control	
Speed Control, 4.0 [ERH], 4.7 [EVA, EVC]	Fig. 014-1010
Accelerator Pedal	
Accelerator Pedal, 4.0 [ERH], 4.7 [EVA, EVC]	Fig. 014-1110
Pedal Brake, Power Adjustable	Fig. 014-1120



Fuel Tank, 4.0 [ERH], 4.7 [EVA, EVC]
Figure 014-110



ITEM	PART NUMBER	QTY	LINE	SERIES	BODY	ENGINE	TRANS	DESCRIPTION
------	-------------	-----	------	--------	------	--------	-------	-------------

Note; Sales Codes ake Shoe Return Spring Lower.

[XEE]= Fuel Tank Skid Plate ake Shoe Return Spring Lower.

1	#52100 427AB	1						TANK, Fuel
2								STRAP, Fuel Tank
	5210 0216	2						
	52080 143AA	1						Rear Strap Without/Hitch
	52080 141AA	1						Front Left
	52080 142AA	2						Left/Right Rear With Hitch
3	6504 171	2						SCREW, Hex Flange Head, M8x1.25x32
4	6100 517	2						NUT, Hex Flange Lock, M8 Phosphate
5	#52100 376AD	1						SKID PLATE, Fuel Tank, With Sales Code [XEE]
6	6101 102	7						BOLT, Hex Head, M12x1.75x45
7	55136 160AE	1						SHIELD, Fuel Tank
8	3420 1631	6						RIVET, M6.25x28 Black
9								NUT, Heat Shield Attach, (NOT SERVICED)
10								GUARD, Brush, Fuel Tank, Serviced in Item#5, (NOT SERVICED)

JEEP GRAND CHEROKEE (WJ)

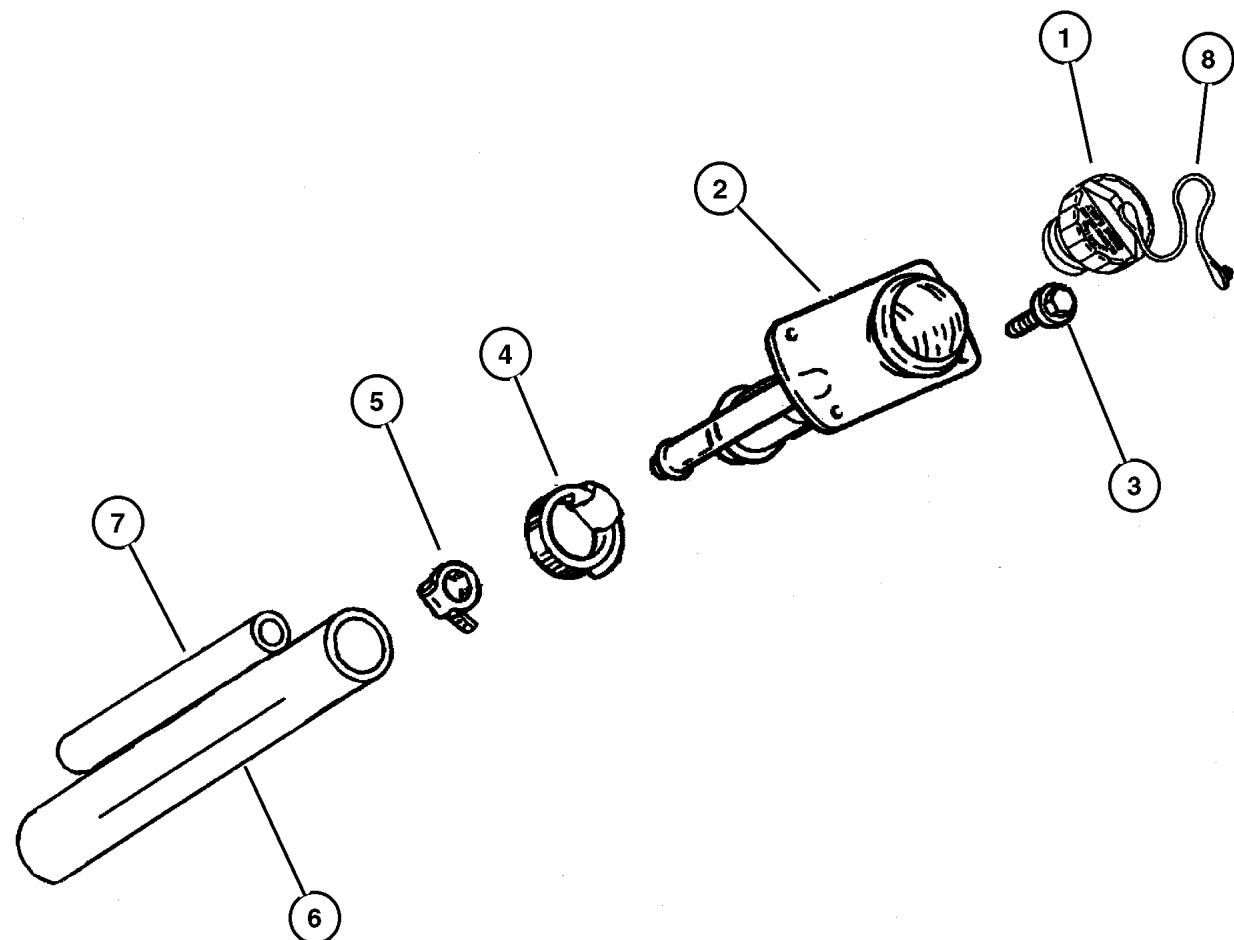
SERIES	LINE	BODY	ENGINE	TRANSMISSION
H = Laredo	J = 4WD	74 = 4 Door	ERH = 4.0L, Power Tech I-6	DGK = 4 Speed Autm, 42RE
M = Sport	T = 2WD		EVA = 4.7L, Power Tech V8	DGQ = 5 Speed Automatic, 45RFE
P = Limited			EVC = 4.7L HO V8 MPI	DG0 = All Automatic Transm
S = Overland			ERO = All 4.0L 6 Cyl Gas	
			EVO = All 4.7I Gas	

AR = Use as required - = Non illustrated part # = New this model year

May 1, 2002

**Fuel Tank Filler Tube, 4.0 [ERH], 4.7 [EVA, EVC]
Figure 014-210**

ITEM	PART NUMBER	QTY	LINE	SERIES	BODY	ENGINE	TRANS	DESCRIPTION
Note; Sales Codes ake Shoe Return Spring Lower.								
[ER0]= All 4.0L, 6 Cylinder Gas Engines ake Shoe Return Spring Lower.								
[EVO]= All 4.7L V-8 Gas Engines ake Shoe Return Spring Lower.								
1	52080 289AA	1						CAP, Fuel Filler
2	#52100 830AC	1				ER0, EVO		TUBE, Fuel Filler
3	0154 236	3						SCREW, Stake, .19-24
4								CLAMP, Hose, (NOT SERVICED)
5	6505 322AA	1						CLAMP, Hose
6	#52100 506AA	1						HOSE, Fuel Filler
7								HOSE, Fuel Tank Vent, (NOT SERVICED)
8	4682 676	1						TETHER, Fuel Filler Cap



JEEP GRAND CHEROKEE (WJ)				
SERIES	LINE	BODY	ENGINE	TRANSMISSION
H = Laredo	J = 4WD	74 = 4 Door	ERH = 4.0L, Power Tech I-6	DGK = 4 Speed Autm, 42RE
M = Sport	T = 2WD		EVA = 4.7L, Power Tech V8	DGQ = 5 Speed Automatic, 45RFE
P = Limited			EVC = 4.7L HO V8 MPI	DG0 = All Automatic Transm
S = Overland			ERO = All 4.0L 6 Cyl Gas	
			EVO = All 4.7l Gas	

AR = Use as required - = Non illustrated part # = New this model year

May 1, 2002

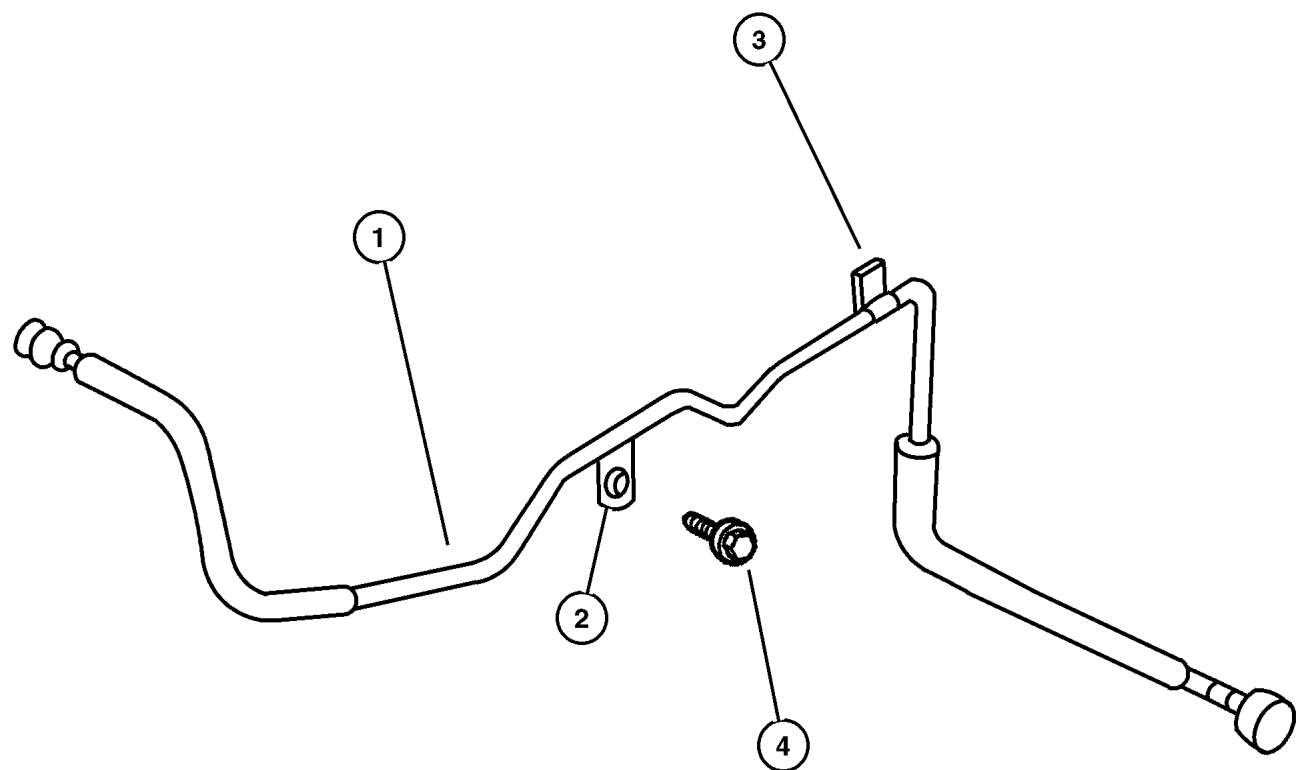
Fuel Lines, Front, 4.0 [ERH]
Figure 014-310

ITEM	PART NUMBER	QTY	LINE	SERIES	BODY	ENGINE	TRANS	DESCRIPTION
------	-------------	-----	------	--------	------	--------	-------	-------------

Note; Sales Codes ake Shoe Return Spring Lower.

[ER0]= All 4.0L Gas Engines ake Shoe Return Spring Lower.

1	52100 041AH	1				ER0		BUNDLE, Fuel Line
2	52100 415AB	1				ER0		BRACKET, Fuel Line
3	52100 482AA	1				ER0		BRACKET, Fuel Line
4	6501 979	1				ER0		SCREW AND WASHER, Hex Head, M6x1x17



JEEP GRAND CHEROKEE (WJ)

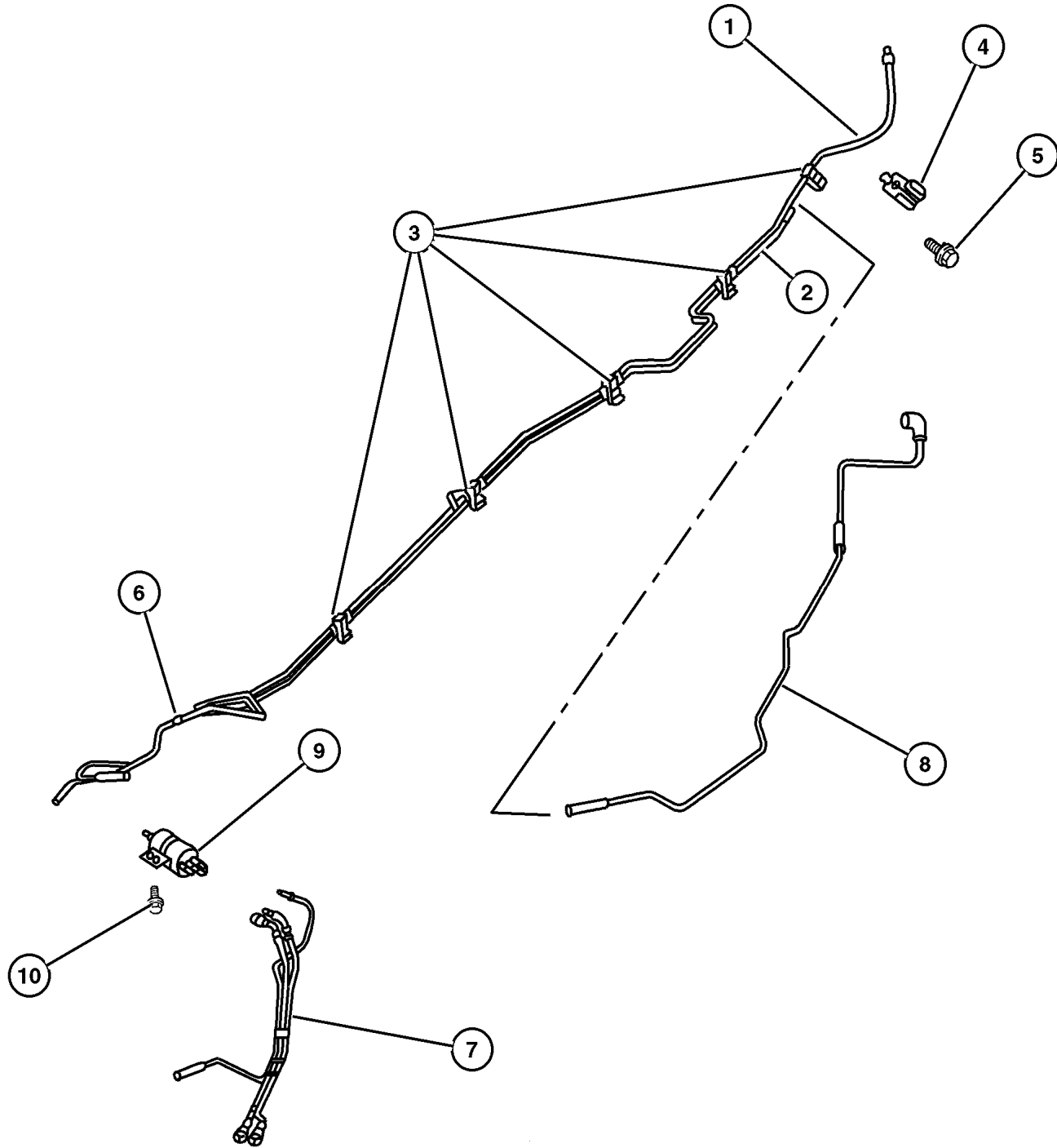
SERIES	LINE	BODY	ENGINE	TRANSMISSION
H = Laredo	J = 4WD	74 = 4 Door	ERH = 4.0L, Power Tech I-6	DGK = 4 Speed Autm, 42RE
M = Sport	T = 2WD		EVA = 4.7L, Power Tech V8	DGQ = 5 Speed Automatic, 45RFE
P = Limited			EVC = 4.7L HO V8 MPI	DG0 = All Automatic Transm
S = Overland			ERO = All 4.0L 6 Cyl Gas	
			EVO = All 4.7l Gas	

AR = Use as required - = Non illustrated part # = New this model year

May 1, 2002

Fuel Lines, Rear, 4.0 [ERH]
Figure 014-320

ITEM	PART NUMBER	QTY	LINE	SERIES	BODY	ENGINE	TRANS	DESCRIPTION
Note; Sales Codes ake Shoe Return Spring Lower.								
[ER0]= All 4.0L, 6 Cylinder Gas Engines ake Shoe Return Spring Lower.								
[EVO]= All 4.7L V-8 Gas Engines ake Shoe Return Spring Lower.								
1	#5073 516AA	1				ER0, EVO		TUBE, Fuel Supply
2	#5073 517AA	1				ER0, EVO		TUBE, Vacuum
3	#5073 519AA	6				ER0, EVO		CLIP, Fuel Bundle
4	#5073 520AA	1				ER0, EVO		CLIP, Fuel Bundle
5	6102 132AA	1						SCREW, Hex Head, M6x1x20
6	#5073 521AA	1				ER0, EVO		CLIP, Fuel Bundle
7	#52100 196AG	1						TUBE, Fuel
8	#5073 518AA	1				ER0, EVO		TUBE, Fuel Vapor
9	#52100 283AE	1				ER0, EVO		FILTER AND REGULATOR, Fuel
10	6102 132AA	2				ER0, EVO		SCREW, Hex Head, M6x1x20



JEEP GRAND CHEROKEE (WJ)				
SERIES	LINE	BODY	ENGINE	TRANSMISSION
H = Laredo	J = 4WD	74 = 4 Door	ERH = 4.0L, Power Tech I-6	DGK = 4 Speed Autm, 42RE
M = Sport	T = 2WD		EVA = 4.7L, Power Tech V8	DGQ = 5 Speed Automatic, 45RFE
P = Limited			EVC = 4.7L HO V8 MPI	DG0 = All Automatic Transm
S = Overland			ERO = All 4.0L 6 Cyl Gas	
			EVO = All 4.7L Gas	

AR = Use as required - = Non illustrated part # = New this model year

May 1, 2002

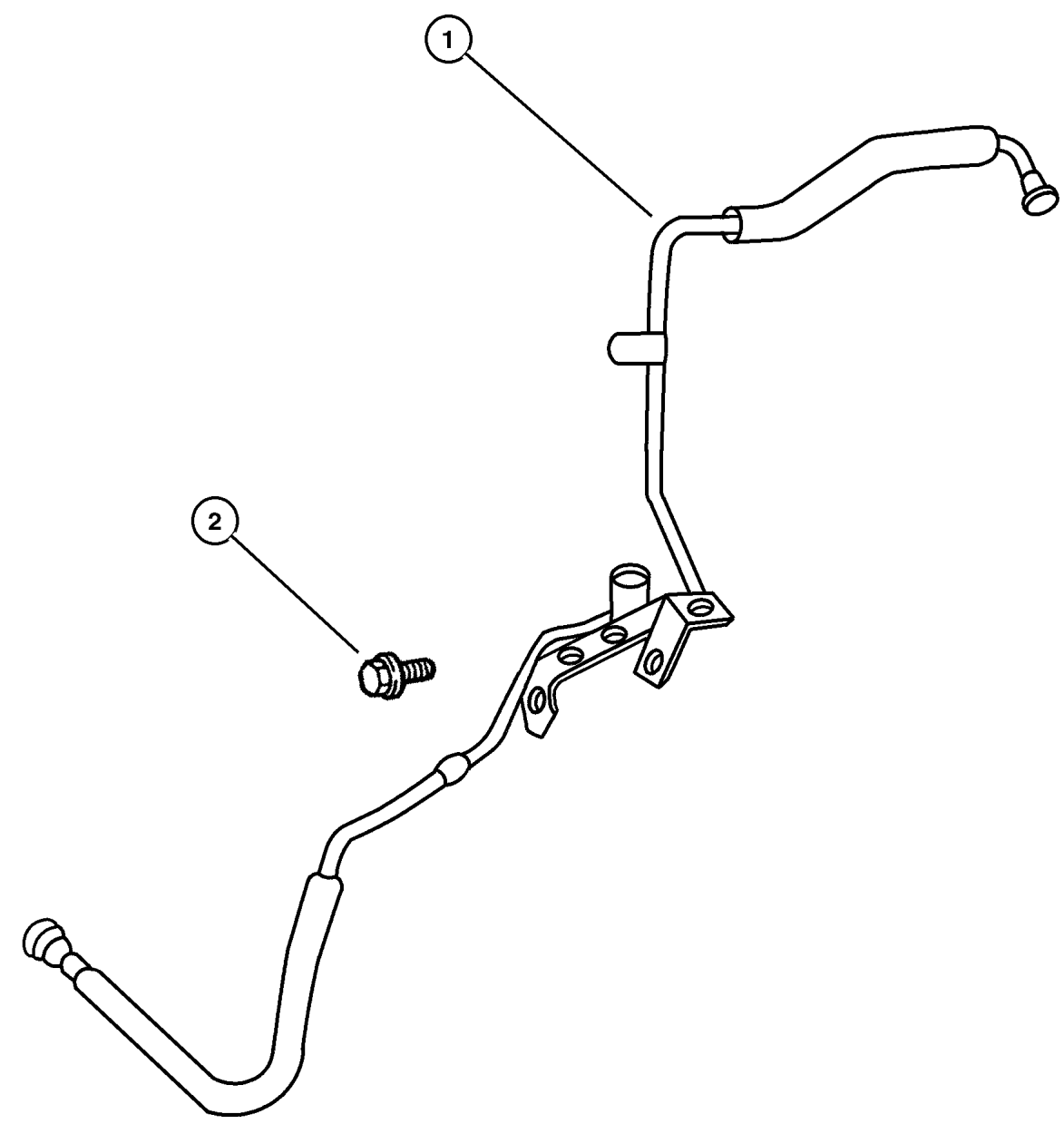
Fuel Lines, Front, 4.7 [EVA, EVC]
Figure 014-330

ITEM	PART NUMBER	QTY	LINE	SERIES	BODY	ENGINE	TRANS	DESCRIPTION
------	-------------	-----	------	--------	------	--------	-------	-------------

Note; Sales Codes ake Shoe Return Spring Lower.

[EV0]= All 4.7L V-8 Gas Engines ake Shoe Return Spring Lower.

1	52100 043AE	1				EVO		BUNDLE, Fuel Line
2								SCREW, (NOT SERVICED)



JEEP GRAND CHEROKEE (WJ)				
SERIES	LINE	BODY	ENGINE	TRANSMISSION
H = Laredo	J = 4WD	74 = 4 Door	ERH = 4.0L, Power Tech I-6	DGK = 4 Speed Autm, 42RE
M = Sport	T = 2WD		EVA = 4.7L, Power Tech V8	DGQ = 5 Speed Automatic, 45RFE
P = Limited			EVC = 4.7L HO V8 MPI	DG0 = All Automatic Transm
S = Overland			ERO = All 4.0L 6 Cyl Gas	
			EVO = All 4.7l Gas	

AR = Use as required - = Non illustrated part # = New this model year

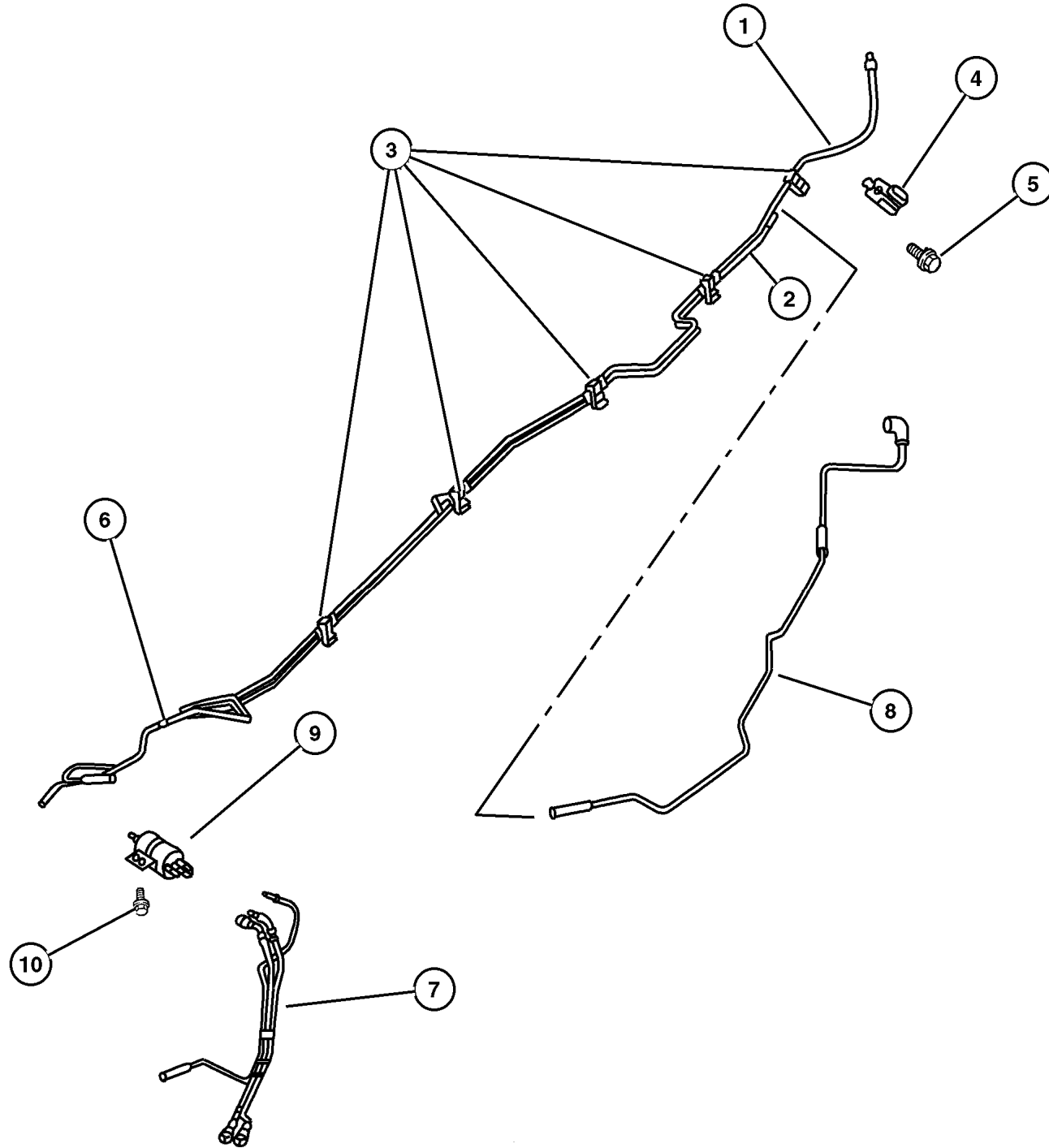
May 1, 2002

Fuel Lines, Rear, 4.7 [EVA, EVC]
Figure 014-340

ITEM	PART NUMBER	QTY	LINE	SERIES	BODY	ENGINE	TRANS	DESCRIPTION
------	-------------	-----	------	--------	------	--------	-------	-------------

Note; Sales Codes ake Shoe Return Spring Lower.
[ER0]= All 4.0L, 6 Cylinder Gas Engines ake Shoe Return Spring Lower.
[EV0]= All 4.7L V-8 Gas Engines ake Shoe Return Spring Lower.

1	#5073 516AA	1				ER0, EVO		TUBE, Fuel Supply
2	#5073 517AA	1				ER0, EVO		TUBE, Vacuum
3	#5073 519AA	6				ER0, EVO		CLIP, Fuel Bundle
4	#5073 520AA	1				ER0, EVO		CLIP, Fuel Bundle
5	6102 132AA	1						SCREW, Hex Head, M6x1x20
6	#5073 521AA	1				ER0, EVO		CLIP, Fuel Bundle
7	#52100 196AG	1						TUBE, Fuel
8	#5073 518AA	1				ER0, EVO		TUBE, Fuel Vapor
9	#52100 283AE	1				ER0, EVO		FILTER AND REGULATOR, Fuel
10	6102 132AA	2						SCREW, Hex Head, M6x1x20

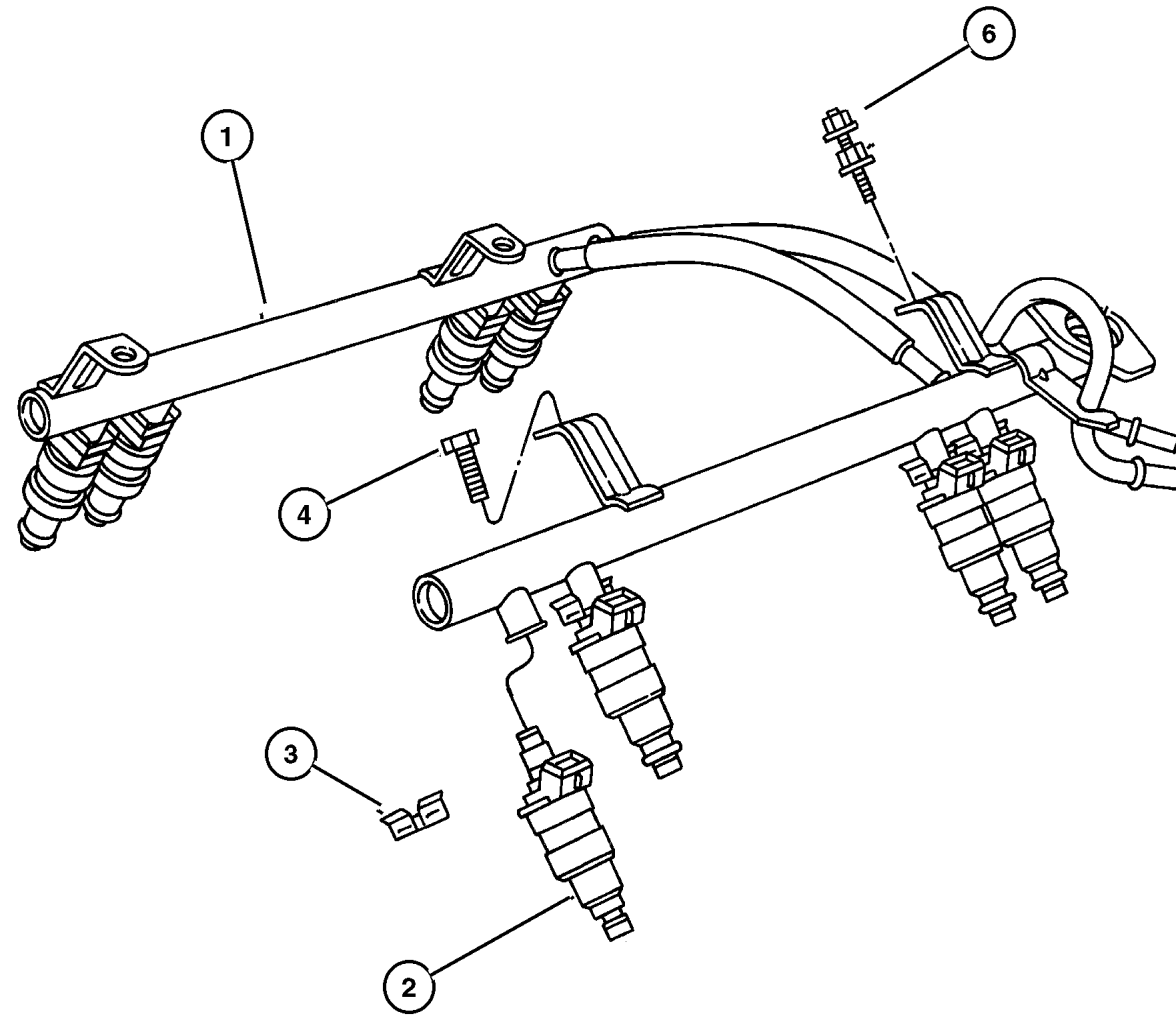


JEEP GRAND CHEROKEE (WJ)				
SERIES	LINE	BODY	ENGINE	TRANSMISSION
H = Laredo	J = 4WD	74 = 4 Door	ERH = 4.0L, Power Tech I-6	DGK = 4 Speed Autm, 42RE
M = Sport	T = 2WD		EVA = 4.7L, Power Tech V8	DGQ = 5 Speed Automatic, 45RFE
P = Limited			EVC = 4.7L HO V8 MPI	DG0 = All Automatic Transm
S = Overland			ERO = All 4.0L 6 Cyl Gas	
			EVO = All 4.7L Gas	

AR = Use as required - = Non illustrated part # = New this model year

May 1, 2002

Fuel Rail, 4.0 [ERH], 4.7 [EVA, EVC]
Figure 014-410



ITEM	PART NUMBER	QTY	LINE	SERIES	BODY	ENGINE	TRANS	DESCRIPTION
------	-------------	-----	------	--------	------	--------	-------	-------------

Note; Sales Codes ake Shoe Return Spring Lower.

{ER0}= All 4.0L, 6 Cylinder Gas Engines ake Shoe Return Spring Lower.

[EV0]= All 4.7L V-8 Gas Engines ake Shoe Return Spring Lower.

1								RAIL, Fuel
	#5014 496AB	1				ER0		
	#53030 848AC	1				EVO		
2								INJECTOR, Fuel
	4854 181	6				ER0		
	53032 145AA	8				EVO		
3								CLIP, Fuel Injector
	4418 257AB	6				ER0		
		8				EVO		
4	6501 979	2				ER0		SCREW AND WASHER, Hex Head, M6x1x17
-5	6505 504AA	4				EVO		SCREW
6	6502 647	2				ER0		STUD, M6x1.00x44

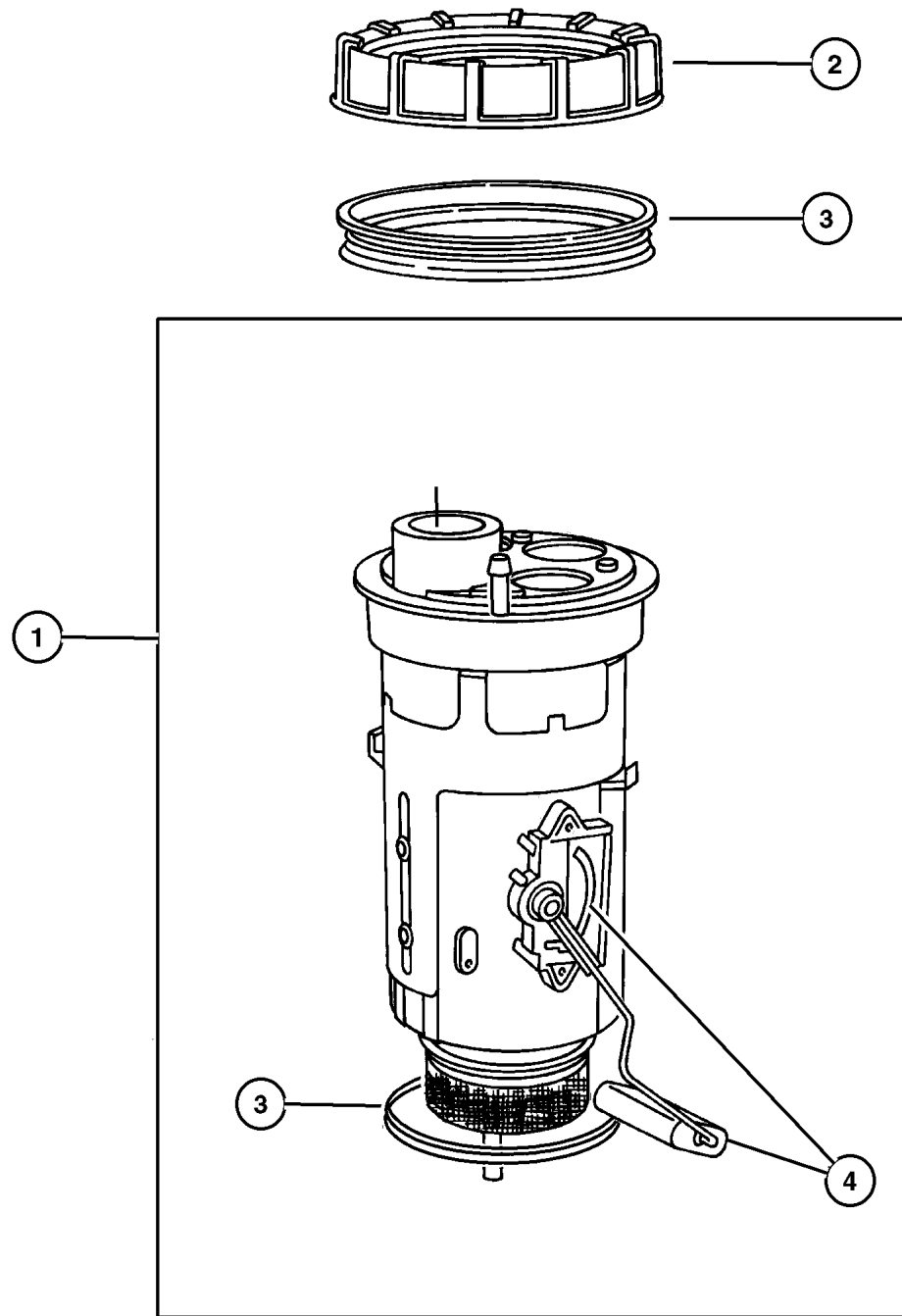
JEEP GRAND CHEROKEE (WJ)

SERIES	LINE	BODY	ENGINE	TRANSMISSION
H = Laredo	J = 4WD	74 = 4 Door	ERH = 4.0L, Power Tech I-6	DGK = 4 Speed Autm, 42RE
M = Sport	T = 2WD		EVA = 4.7L, Power Tech V8	DGQ = 5 Speed Automatic, 45RFE
P = Limited			EVC = 4.7L HO V8 MPI	DG0 = All Automatic Transm
S = Overland			ERO = All 4.0L 6 Cyl Gas	
			EVO = All 4.7l Gas	

AR = Use as required - = Non illustrated part # = New this model year

May 1, 2002

Fuel Pump and Sending Unit, 4.0 [ERH], 4.7 [EVA, EVC]
Figure 014-510



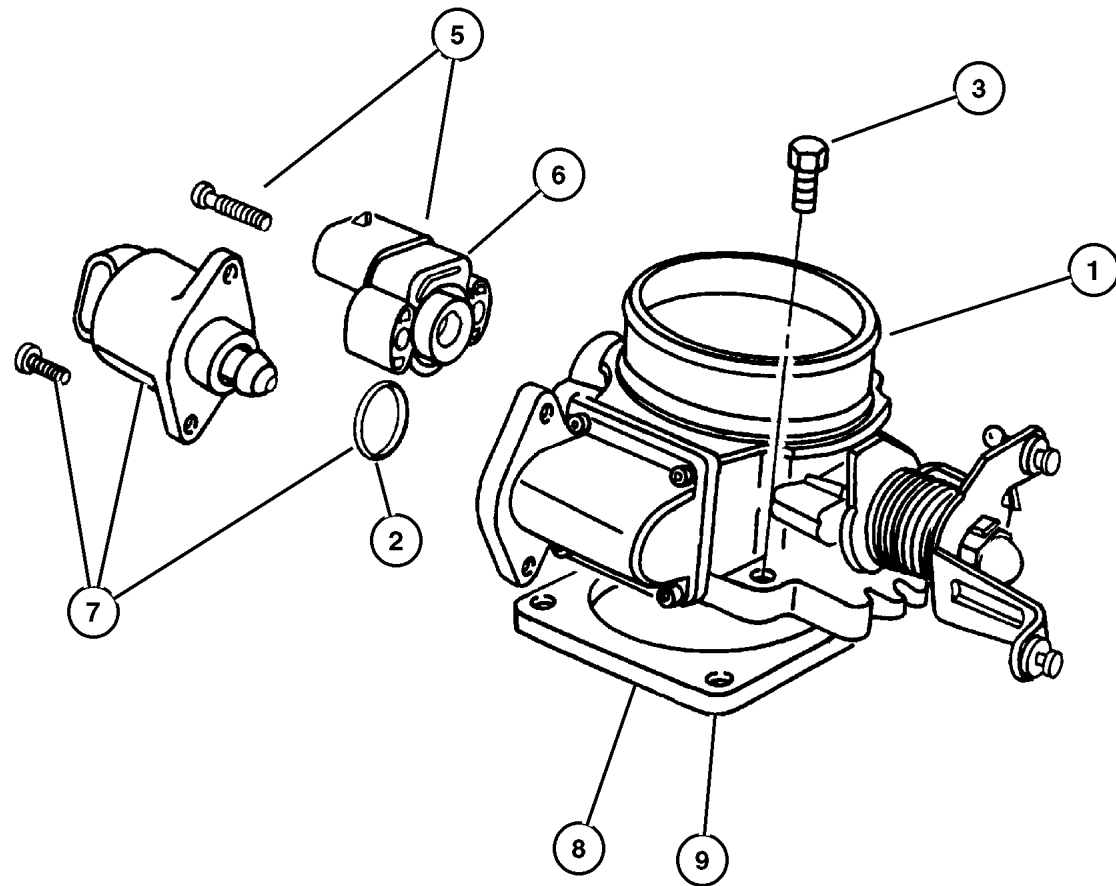
ITEM	PART NUMBER	QTY	LINE	SERIES	BODY	ENGINE	TRANS	DESCRIPTION
1	5018 056AB	1						MODULE PACKAGE, Fuel Pump/Level Unit
2	5200 5389	1						NUT, Fuel Pump Module
3	5201 8808	1						SEAL, Fuel Pump and Level Unit
4	5018 057AA	1						LEVEL UNIT PACKAGE, Fuel
-5	#52100 435AB	1						VALVE, Fuel Control
-6	#52100 562AA	1						RETAINER

JEEP GRAND CHEROKEE (WJ)				
SERIES	LINE	BODY	ENGINE	TRANSMISSION
H = Laredo	J = 4WD	74 = 4 Door	ERH = 4.0L, Power Tech I-6	DGK = 4 Speed Autm, 42RE
M = Sport	T = 2WD		EVA = 4.7L, Power Tech V8	DGQ = 5 Speed Automatic, 45RFE
P = Limited			EVC = 4.7L HO V8 MPI	DG0 = All Automatic Transm
S = Overland			ERO = All 4.0L 6 Cyl Gas	
			EVO = All 4.7l Gas	

AR = Use as required - = Non illustrated part # = New this model year

May 1, 2002

**Throttle Body, 4.0 [ERH], 4.7 [EVA, EVC]
Figure 014-610**

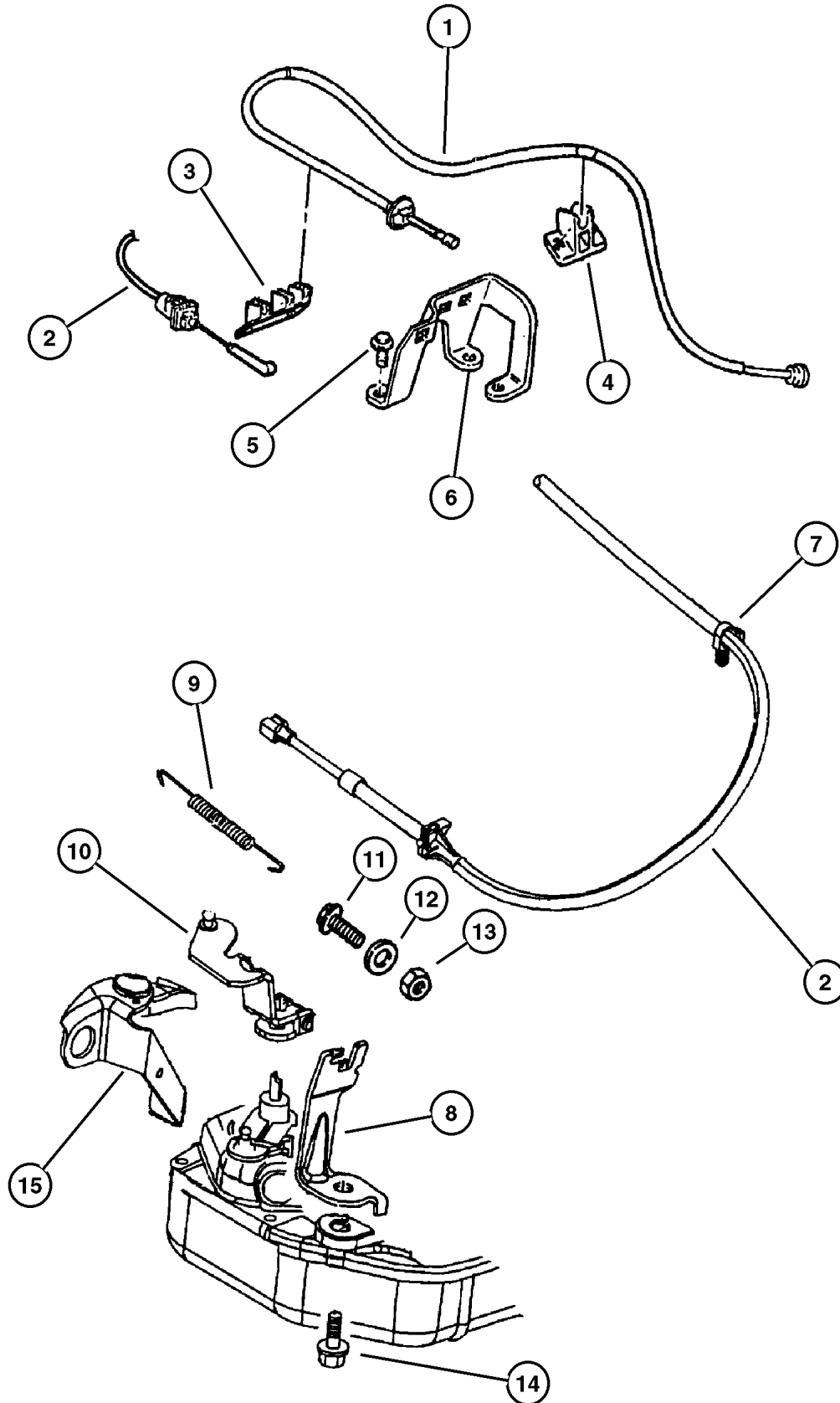


ITEM	PART NUMBER	QTY	LINE	SERIES	BODY	ENGINE	TRANS	DESCRIPTION
Note; Sales Codes ake Shoe Return Spring Lower.								
[ER0]= All 4.0L, 6 Cylinder Gas Engines ake Shoe Return Spring Lower.								
[EVA]= 4.7L Power Tech V-8 ake Shoe Return Spring Lower.								
[EVC]= 4.7l Power Tech High Output V-8 ake Shoe Return Spring Lower.								
[EV0]= All 4.7L Gas Engines ake Shoe Return Spring Lower.								
1								THROTTLE BODY
	#53013 290AA	1				ER0		
	53013 163AB	1				EVO		
2	8350 3642	1				EVO		O RING, Throttle Body
3	6503 929	4				ER0		SCREW AND WASHER, Coned Pilot, M6x1x30
-4								SCREW, M6x1x40
	6505 034AA	10				EVA		
		10				EVC		
5	#5086 203AA	1				ER0		SENSOR PACKAGE, Throttle Position
6	5017 479AA	1				EVO		SENSOR KIT, Throttle Position
7								MOTOR, Air Idle Speed
	4874 373AB	1				ER0		
	5303 0840	1				EVO		
8	5300 7543	1				ER0		GASKET, Throttle Body
9								GASKET, Throttle Body To Intake
	5303 0952	1				EVC		
		1				EVA		

JEEP GRAND CHEROKEE (WJ)				
SERIES	LINE	BODY	ENGINE	TRANSMISSION
H = Laredo	J = 4WD	74 = 4 Door	ERH = 4.0L, Power Tech I-6	DGK = 4 Speed Autm, 42RE
M = Sport	T = 2WD		EVA = 4.7L, Power Tech V8	DGQ = 5 Speed Automatic, 45RFE
P = Limited			EVC = 4.7L HO V8 MPI	DG0 = All Automatic Transm
S = Overland			ER0 = All 4.0L 6 Cyl Gas	
			EVO = All 4.7l Gas	

AR = Use as required - = Non illustrated part # = New this model year

Throttle Controls, 4.0 [ERH] Figure 014-710



ITEM	PART NUMBER	QTY	LINE	SERIES	BODY	ENGINE	TRANS	DESCRIPTION
Note; Sales Codes ake Shoe Return Spring Lower.								
[DGK]= Speed Automatic Transmission 42RE ake Shoe Return Spring Lower.								
[ER0]= All 4.0L, 6 Cylinder Gas Engines ake Shoe Return Spring Lower.								
1	4854 150AB	1				ER0		CABLE, Accelerator
2	52104 284AA	1					DGK	CABLE, Throttle Valve
3	5207 9029	1				ER0		GUIDE, Accelerator Cable
4	5207 8987	1				ER0		GUIDE, Accelerator Cable
5	6501 979	2				ER0		SCREW AND WASHER, Hex Head, M6x1x17
6	53013 160AA	1				ER0		BRACKET, Accelerator Cable
7								CLIP, (NOT SERVICED)
8	5207 8867	1				ER0		BRACKET, Cable
9	5300 9055	1					DGK	SPRING, Throttle Valve Return
10	52078 723AB	1				ER0		LEVER, Throttle Valve
11	0181 065	1				ER0		BOLT, Hex Head, .25-20x1.00
12	0138 165	1				ER0		WASHER, Lock
13	J012 0375	1				ER0		NUT, Hex, .250-20
14								BOLT, Hex Head, .375-16x1.00, (NOT SERVICED)
15	5210 4057	1	J				DGK	BRACKET, Shift Cable

JEEP GRAND CHEROKEE (WJ)

SERIES	LINE	BODY	ENGINE	TRANSMISSION
H = Laredo	J = 4WD	74 = 4 Door	ERH = 4.0L, Power Tech I-6	DGK = 4 Speed Autm, 42RE
M = Sport	T = 2WD		EVA = 4.7L, Power Tech V8	DGQ = 5 Speed Automatic, 45RFE
P = Limited			EVC = 4.7L HO V8 MPI	DG0 = All Automatic Transm
S = Overland			ERO = All 4.0L 6 Cyl Gas	
			EVO = All 4.7I Gas	

AR = Use as required - = Non illustrated part # = New this model year

May 1, 2002

**Throttle Controls, 4.7 [EVA, EVC]
Figure 014-720**

ITEM	PART NUMBER	QTY	LINE	SERIES	BODY	ENGINE	TRANS	DESCRIPTION
------	-------------	-----	------	--------	------	--------	-------	-------------

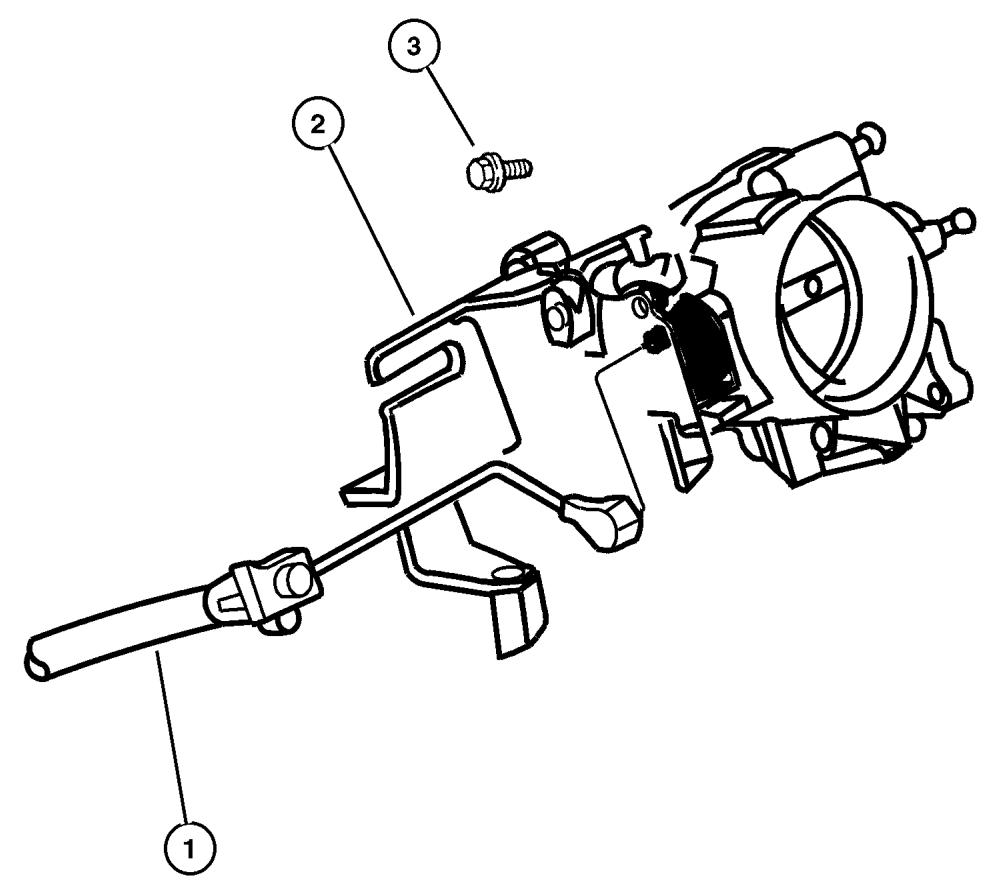
Note; Sales Codes ake Shoe Return Spring Lower.

[EVA]= 4.7L Power Tech V-8 ake Shoe Return Spring Lower.

[EVC]= 4.7L Power Tech High Output V-8 ake Shoe Return Spring Lower.

[EV0]= All 4.7L Gas Engines ake Shoe Return Spring Lower.

1	4854 061AD	1				EVO		CABLE, Accelerator
2								BRACKET, Accelerator Cable
	53031 683AA	1				EVC		
		1				EVA		
3								SCREW, M6X1.00X16.00, (NOT SERVICED)

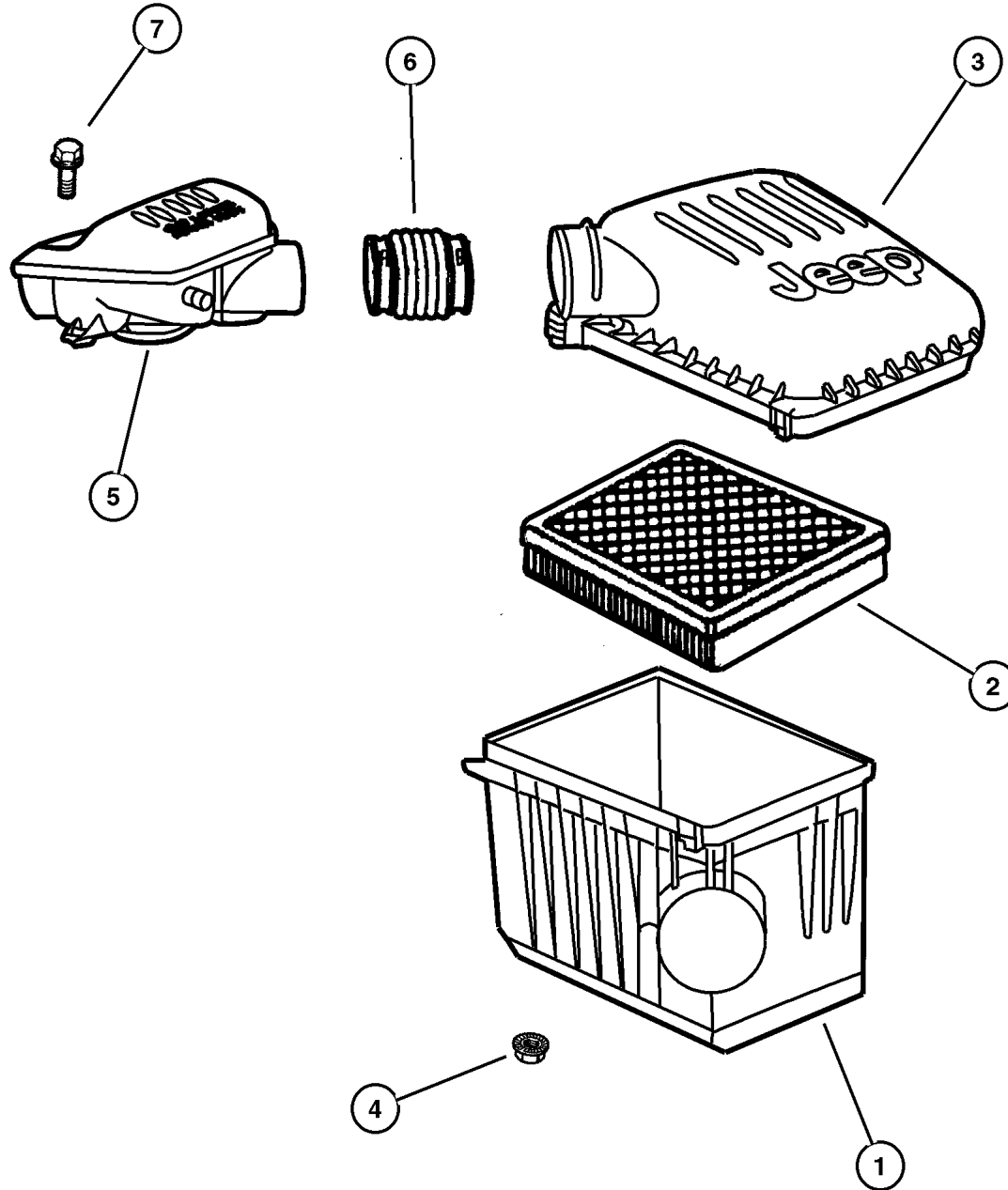


JEEP GRAND CHEROKEE (WJ)				
SERIES	LINE	BODY	ENGINE	TRANSMISSION
H = Laredo	J = 4WD	74 = 4 Door	ERH = 4.0L, Power Tech I-6	DGK = 4 Speed Autm, 42RE
M = Sport	T = 2WD		EVA = 4.7L, Power Tech V8	DGQ = 5 Speed Automatic, 45RFE
P = Limited			EVC = 4.7L HO V8 MPI	DG0 = All Automatic Transm
S = Overland			ERO = All 4.0L 6 Cyl Gas	
			EVO = All 4.7l Gas	

AR = Use as required - = Non illustrated part # = New this model year

May 1, 2002

**Air Cleaner, 4.0 [ERH]
Figure 014-810**



ITEM	PART NUMBER	QTY	LINE	SERIES	BODY	ENGINE	TRANS	DESCRIPTION
Note; Sales Codes ake Shoe Return Spring Lower.								
[ER0]= All 4.0L Gas Engines ake Shoe Return Spring Lower.								
1	5013 462AA	1				ER0		BODY, Air Cleaner
2	5300 7386	1				ER0		FILTER, Air
3	5013 461AA	1				ER0		COVER, Air Cleaner
4								NUT, M8x1.25, (NOT SERVICED)
5	4854 013	1				ER0		RESONATOR, Air Cleaner
6	4854 014	1				ER0		HOSE, Air Cleaner
7	6504 041	1				ER0		SCREW AND WASHER, Hex Head, M6x1x30

JEEP GRAND CHEROKEE (WJ)				
SERIES	LINE	BODY	ENGINE	TRANSMISSION
H = Laredo	J = 4WD	74 = 4 Door	ERH = 4.0L, Power Tech I-6	DGK = 4 Speed Autm, 42RE
M = Sport	T = 2WD		EVA = 4.7L, Power Tech V8	DGQ = 5 Speed Automatic, 45RFE
P = Limited			EVC = 4.7L HO V8 MPI	DG0 = All Automatic Transm
S = Overland			ERO = All 4.0L 6 Cyl Gas	
			EVO = All 4.7l Gas	

AR = Use as required - = Non illustrated part # = New this model year

May 1, 2002

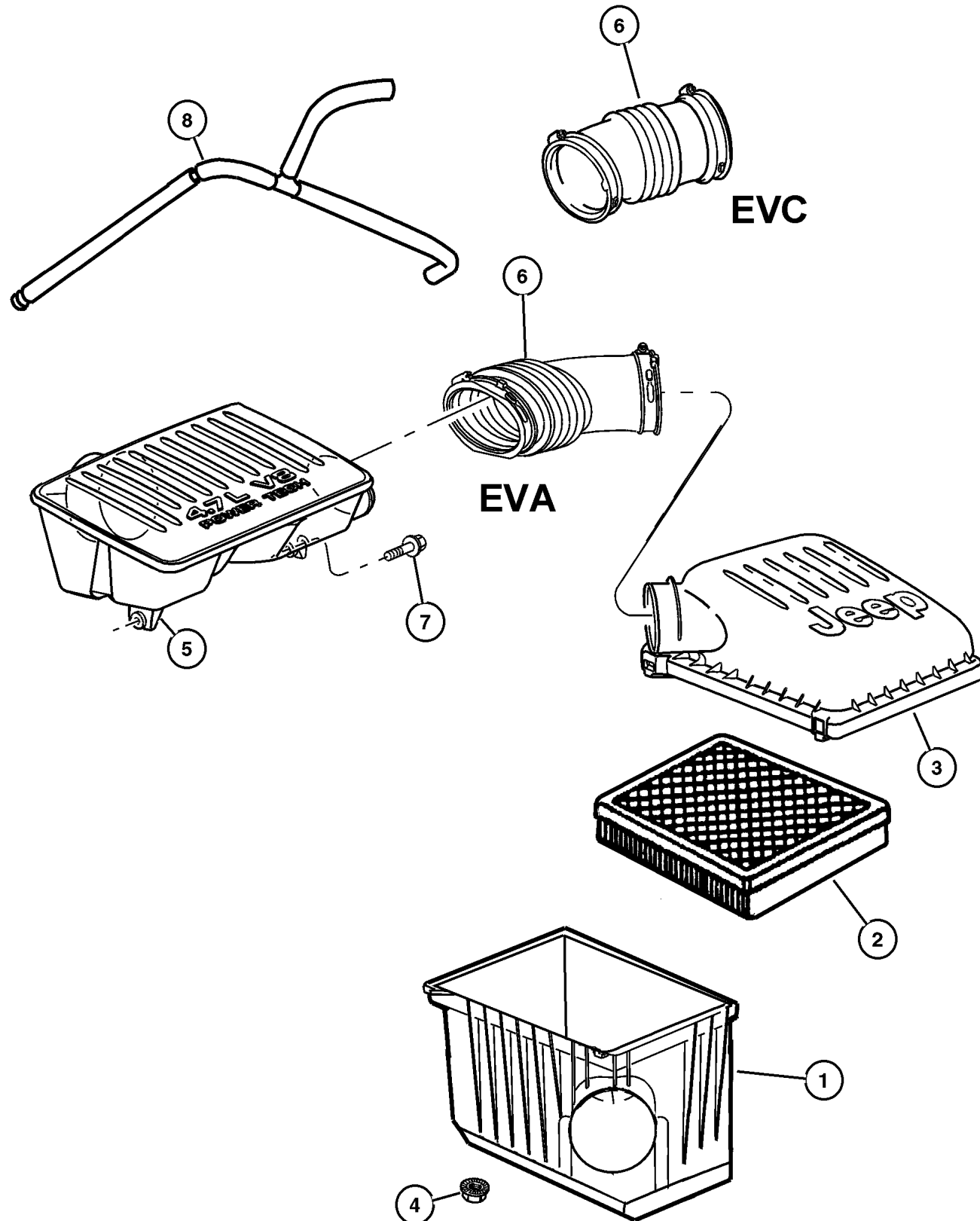
**Air Cleaner, 4.7 [EVA, EVC]
Figure 014-820**

ITEM	PART NUMBER	QTY	LINE	SERIES	BODY	ENGINE	TRANS	DESCRIPTION
Note; Sales Codes ake Shoe Return Spring Lower.								
[EVA]= 4.7L Power Tech V-8 ake Shoe Return Spring Lower.								
[EVC]= 4.7L High Output Power Tech V-8 ake Shoe Return Spring Lower.								
1								BODY, Air Cleaner
	5013 462AA	1				EVA		
	#5018 322AA	1				EVC		
2								FILTER, Air
	5300 7386	1				EVA		
	#5015 610AA	1				EVC		
3								COVER, Air Cleaner
	5013 461AA	1				EVA		
	#5018 321AA	1				EVC		
4	6505 245AA	4						NUT, M8x1.25
5								RESONATOR, Air Cleaner
	4854 011	1				EVA		
	#53013 417AA	1				EVC		
6	4854 012	1				EVA		DUCT, Air Cleaner
7	6101 769	2				EVO		SCREW, Hex Head, M6x1x35
8	53031 667AB	1				EVO		TUBE, Breather
-9	#53013 418AA	1				EVC		HOSE, Air Cleaner

JEEP GRAND CHEROKEE (WJ)				
SERIES	LINE	BODY	ENGINE	TRANSMISSION
H = Laredo	J = 4WD	74 = 4 Door	ERH = 4.0L, Power Tech I-6	DGK = 4 Speed Autm, 42RE
M = Sport	T = 2WD		EVA = 4.7L, Power Tech V8	DGQ = 5 Speed Automatic, 45RFE
P = Limited			EVC = 4.7L HO V8 MPI	DG0 = All Automatic Transm
S = Overland			ERO = All 4.0L 6 Cyl Gas	
			EVO = All 4.7l Gas	

AR = Use as required - = Non illustrated part # = New this model year

May 1, 2002



**Air Intake System, 4.0L [ERH], 4.7L [EVA]
Figure 014-910**

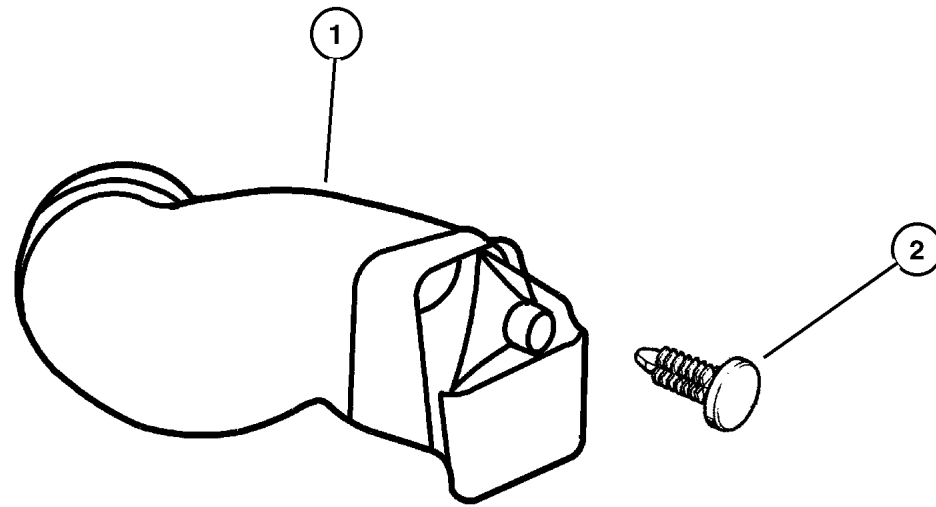
ITEM	PART NUMBER	QTY	LINE	SERIES	BODY	ENGINE	TRANS	DESCRIPTION
------	-------------	-----	------	--------	------	--------	-------	-------------

Note; Sales Codes ake Shoe Return Spring Lower.

[ER0]=All 4.0L Engines ake Shoe Return Spring Lower.

[EVA]= 4.7L Power Tech V-8 Engine ake Shoe Return Spring Lower.

1	53013 345AA	1				ER0, EVA		DUCT, Ambient Air
2								PIN, Retainer, (NOT SERVICED)

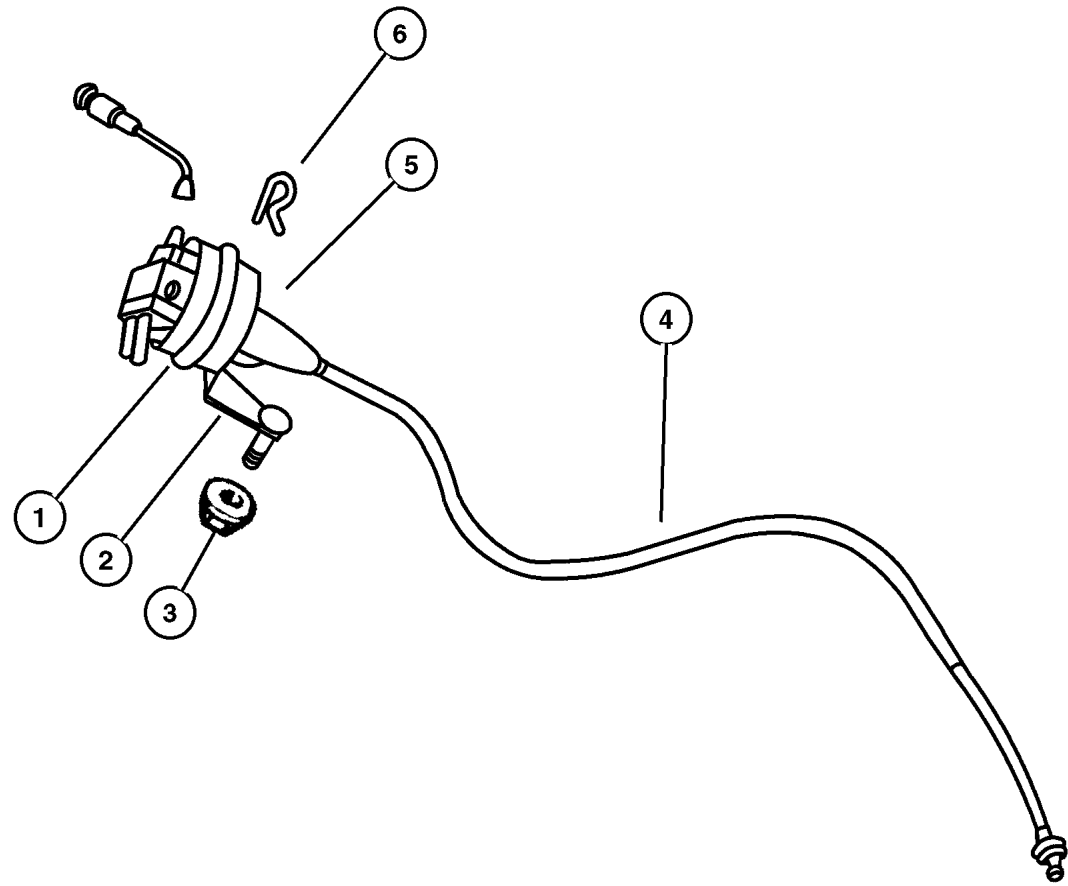


JEEP GRAND CHEROKEE (WJ)				
SERIES	LINE	BODY	ENGINE	TRANSMISSION
H = Laredo	J = 4WD	74 = 4 Door	ERH = 4.0L, Power Tech I-6	DGK = 4 Speed Autm, 42RE
M = Sport	T = 2WD		EVA = 4.7L, Power Tech V8	DGQ = 5 Speed Automatic, 45RFE
P = Limited			EVC = 4.7L HO V8 MPI	DG0 = All Automatic Transm
S = Overland			ERO = All 4.0L 6 Cyl Gas	
			EVO = All 4.7l Gas	

AR = Use as required - = Non illustrated part # = New this model year

May 1, 2002

**Speed Control, 4.0 [ERH], 4.7 [EVA, EVC]
Figure 014-1010**



ITEM	PART NUMBER	QTY	LINE	SERIES	BODY	ENGINE	TRANS	DESCRIPTION
------	-------------	-----	------	--------	------	--------	-------	-------------

Note; Sales Codes ake Shoe Return Spring Lower.

[ER0]= All 4.0L Gas Engines ake Shoe Return Spring Lower.

[EV0]= All 4.7L Gas Engines ake Shoe Return Spring Lower.

1	4669 979	1				ER0		SERVO, Speed Control
		1				EVO		
2	4854 057AH	1				ER0		BRACKET, Cruise Control Servo
		1				EVO		
3	6102 167AA	2				ER0,		NUT AND WASHER
						EVO		
4	4854 058	1				ER0		CABLE, Speed Control
	4854 055AC	1				EVO		
5	6502 493	2				ER0		NUT, Hex Flange Serration, M6x1
		2				EVO		
6	6025 867	1				ER0		CLIP, Cable to Servo Attach
		1				EVO		

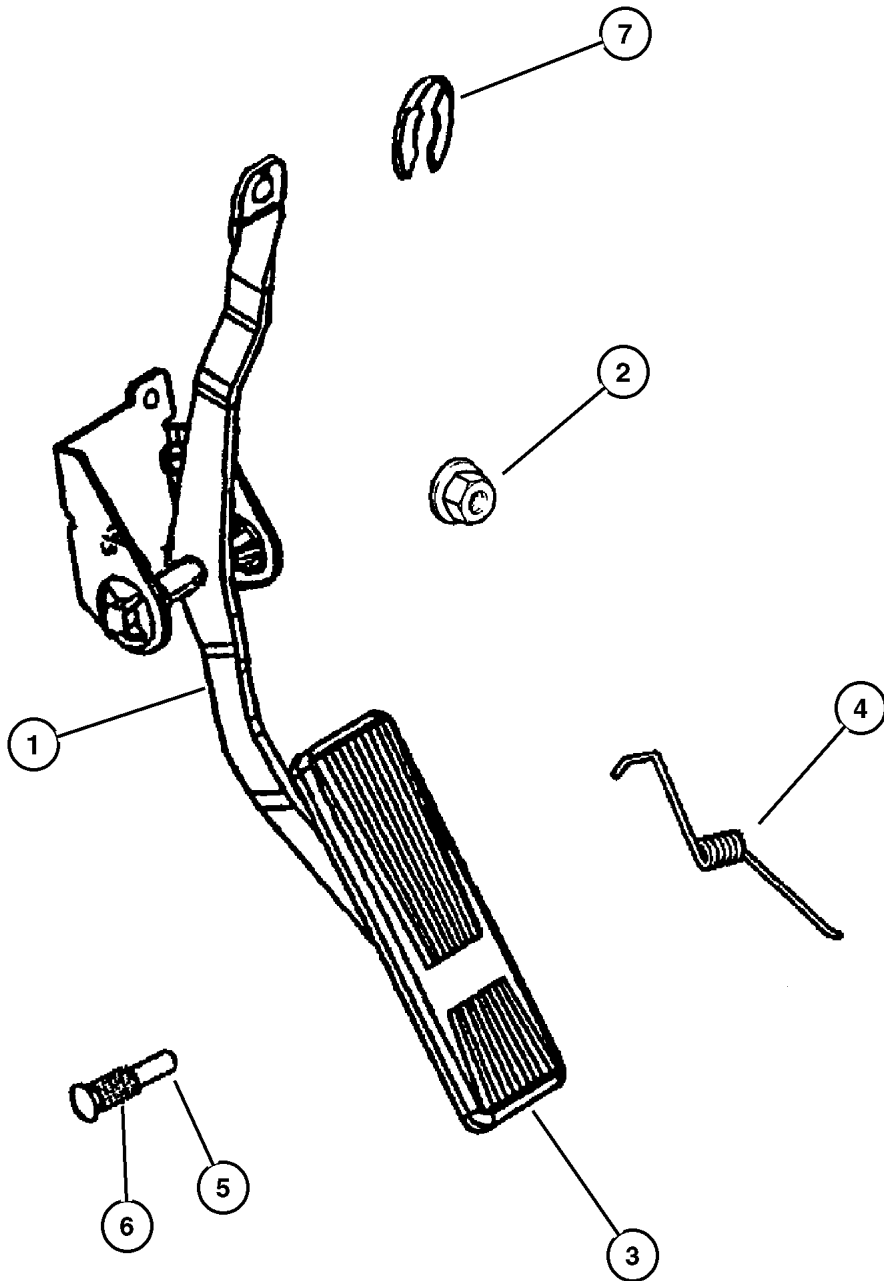
JEEP GRAND CHEROKEE (WJ)

SERIES	LINE	BODY	ENGINE	TRANSMISSION
H = Laredo	J = 4WD	74 = 4 Door	ERH = 4.0L, Power Tech I-6	DGK = 4 Speed Autm, 42RE
M = Sport	T = 2WD		EVA = 4.7L, Power Tech V8	DGQ = 5 Speed Automatic, 45RFE
P = Limited			EVC = 4.7L HO V8 MPI	DG0 = All Automatic Transm
S = Overland			ERO = All 4.0L 6 Cyl Gas	
			EVO = All 4.7l Gas	

AR = Use as required - = Non illustrated part # = New this model year

May 1, 2002

**Accelerator Pedal, 4.0 [ERH], 4.7 [EVA, EVC]
Figure 014-1110**



ITEM	PART NUMBER	QTY	LINE	SERIES	BODY	ENGINE	TRANS	DESCRIPTION
------	-------------	-----	------	--------	------	--------	-------	-------------

Note; Sales Codes ake Shoe Return Spring Lower.

[ER0]= ALL 4.0L, 6 Cylinder Gas Engines ake Shoe Return Spring Lower.

[EV0]= All 4.7L Gas Engines ake Shoe Return Spring Lower.

1	4854 130AB	1				ER0, EVO		PEDAL, Accelerator
2	3420 1680	2						NUT, Hex Flange, M6x1
3	53003 932AB	1				ER0, EVO		PAD, Accelerator Pedal
4	5207 8168	1				ER0, EVO		SPRING, Accelerator Pedal Return
5	J322 0231	1				ER0, EVO		PIN, Accelerator Pedal Mtg.
6	5207 8653	2				ER0, EVO		BUSHING, Accelerator Pedal
7	5214 613	1						CLIP, Cable

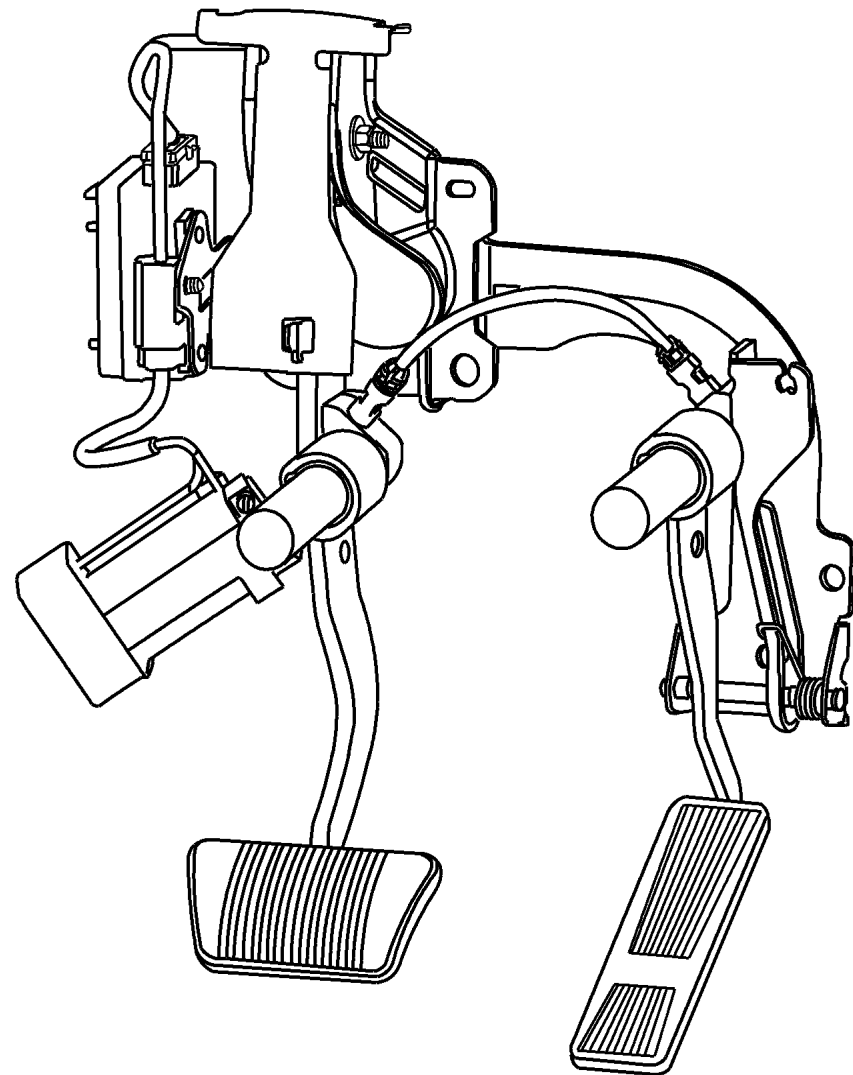
JEEP GRAND CHEROKEE (WJ)

SERIES	LINE	BODY	ENGINE	TRANSMISSION
H = Laredo	J = 4WD	74 = 4 Door	ERH = 4.0L, Power Tech I-6	DGK = 4 Speed Autm, 42RE
M = Sport	T = 2WD		EVA = 4.7L, Power Tech V8	DGQ = 5 Speed Automatic, 45RFE
P = Limited			EVC = 4.7L HO V8 MPI	DG0 = All Automatic Transm
S = Overland			ERO = All 4.0L 6 Cyl Gas	
			EVO = All 4.7l Gas	

AR = Use as required - = Non illustrated part # = New this model year

May 1, 2002

**Pedal Brake, Power Adjustable
Figure 014-1120**



ITEM	PART NUMBER	QTY	LINE	SERIES	BODY	ENGINE	TRANS	DESCRIPTION
-1	#5073 040AA	1						HARNES
-2	#5073 041AA	1						MOTOR, Adjustable Brake and Accelerator Pedal
-3	#5072 251AA	1						MODULE, Brake Pedal
-4	4779 027	1						PAD, Pedal
-5								SWITCH, Adjustable Pedals
	#5HU33 1DVAB	1						[DB]
		1						[DV]
	#5HU33 1L8AB	1						[L5]
	#5HU33 1TMAB	1						[T5]
-6	6100 517	2						NUT, Hex Flange Lock, M8 Phosphate
-7	6035 334	1						CLIP, Brake Push Rod

JEEP GRAND CHEROKEE (WJ)

SERIES	LINE	BODY	ENGINE	TRANSMISSION
H = Laredo	J = 4WD	74 = 4 Door	ERH = 4.0L, Power Tech I-6	DGK = 4 Speed Autm, 42RE
M = Sport	T = 2WD		EVA = 4.7L, Power Tech V8	DGQ = 5 Speed Automatic, 45RFE
P = Limited			EVC = 4.7L HO V8 MPI	DG0 = All Automatic Transm
S = Overland			ERO = All 4.0L 6 Cyl Gas	
			EVO = All 4.7I Gas	

AR = Use as required - = Non illustrated part # = New this model year

May 1, 2002

Group – 016

Propeller Shafts and U-Joints

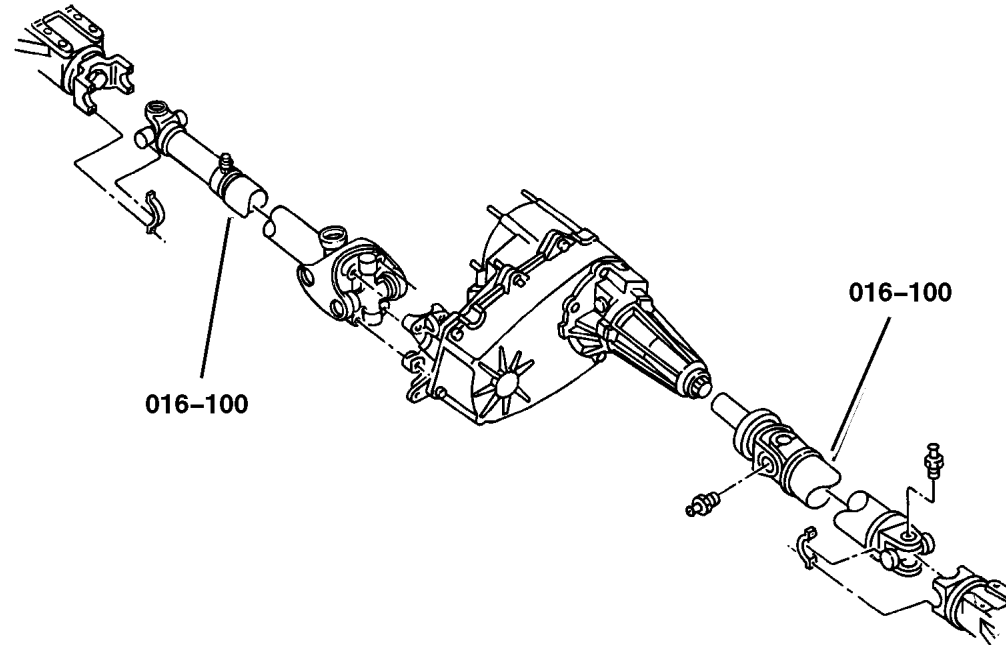
GROUP 16 - Propeller Shafts and U-Joints

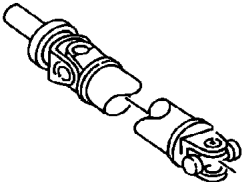
Illustration Title

Group-Fig. No.

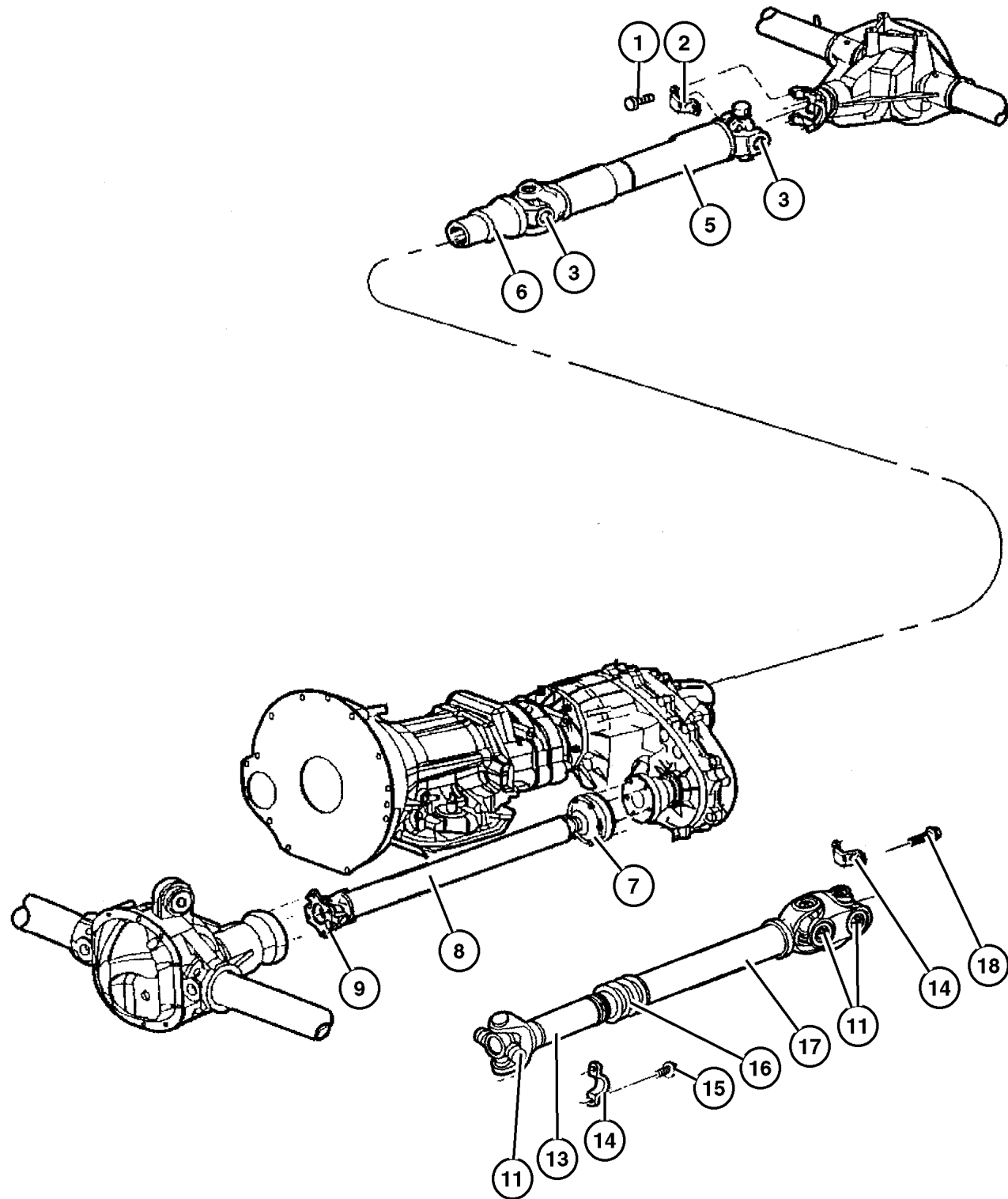
Propeller Shaft

Propeller Shafts, Front and Rear Fig. 016-110



<p>016-100 Propeller Shaft</p> 			
---	--	--	--

Propeller Shafts, Front and Rear
Figure 016-110



ITEM	PART NUMBER	QTY	LINE	SERIES	BODY	ENGINE	TRANS	DESCRIPTION
------	-------------	-----	------	--------	------	--------	-------	-------------

Note: Sales Codes; ake Shoe Return Spring Lower.
 Note: Item 7,05015109AA bolt, when you order quantity 1, you will receive 2 bolts and 1 strap. ake Shoe Return Spring Lower.
 [ER0]=Engines - All 4.0L 6 Cylinder Gas ake Shoe Return Spring Lower.
 [EVO]=Engines - All 4.7L Gas ake Shoe Return Spring Lower.
 [DGK]=Transmission - 4-Speed Automatic,42RE ake Shoe Return Spring Lower.
 [DHF]=Quadra-Trac II On Demand 4 Wheel Drive System ake Shoe Return Spring Lower.
 [DHP]=Selec Trac Full Time 4WD System ake Shoe Return Spring Lower.
 [DRK]=Axle - Rear,Dana 44/226MM ake Shoe Return Spring Lower.
 [DRM]=Axle - Rear,Dana, Dana 35C/194MM ake Shoe Return Spring Lower.

1	J400 6928	4				ER0, EVO		BOLT
2	J324 0553	2				ER0, EVO		STRAP, Prop Shaft
3								U JOINT
	5015 694AA	2	T			ER0		[DRK], Front or Rear
		2	T			ER0		[DRM], Front or Rear
	4882 793	2	J			ER0		[DHF,DRK], Front or Rear
		2	J			ER0		[DHF,DRM], Front or Rear
		2	J			ER0		[DHP,DRK], Front or Rear
		2	J			ER0		[DHP,DRM], Front or Rear
	5014 733AA	1	T			EVO		Front
	5015 694AA	1	T			EVO		Rear
	4882 793	2	J			EVO		[DHF], Front or Rear
	5014 733AA	1	J			EVO		[DHP], Front
	5015 694AA	1	J			EVO		[DHP], Rear
-4								RING, U Joint
	J320 7886	4	T			ER0		Front or Rear
		4	J			ER0		Front or Rear
		4	T			EVO		Front or Rear
		4	J			EVO		Front or Rear
5								SHAFT, Drive, Rear 1-Piece
	52853 007AA	1	T			ER0		[DRK]
	52105 972AA	1	T			ER0		[DRM]
	52111 483AC	1	J			ER0		[DHF,DRK]
	52099 485AE	1	J			ER0		[DHF,DRM]
	#52105 901AB	1	J			ER0		[[DHP,DRK]
	52105 530AC	1	J			ER0		[[DHP,DRM]
	52105 973AA	1	T			EVO		
	#52099 487AE	1	J			EVO		[DHF]
	52111 490AB	1	J			EVO		[DHP]
6								YOKE, Drive Shaft

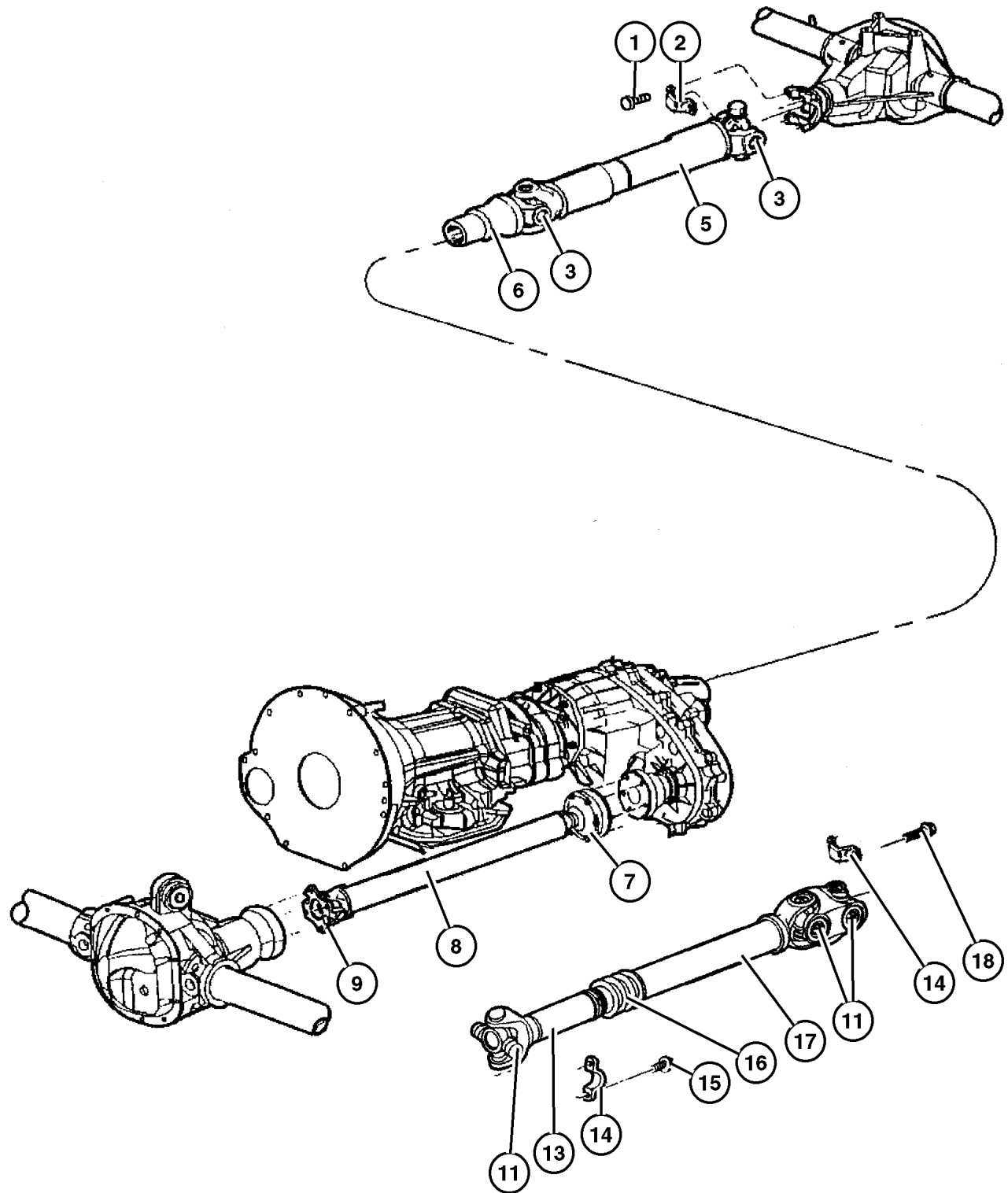
JEEP GRAND CHEROKEE (WJ)

SERIES	LINE	BODY	ENGINE	TRANSMISSION
H = Laredo	J = 4WD	74 = 4 Door	ERH = 4.0L, Power Tech I-6	DGK = 4 Speed Autm, 42RE
M = Sport	T = 2WD		EVA = 4.7L, Power Tech V8	DGQ = 5 Speed Automatic, 45RFE
P = Limited			EVC = 4.7L HO V8 MPI	DG0 = All Automatic Transm
S = Overland			ERO = All 4.0L 6 Cyl Gas	
			EVO = All 4.7L Gas	

AR = Use as required - = Non illustrated part # = New this model year

May 1, 2002

Propeller Shafts, Front and Rear
Figure 016-110



ITEM	PART NUMBER	QTY	LINE	SERIES	BODY	ENGINE	TRANS	DESCRIPTION
	5083 257AA	1	T			ER0		[DRK]
		1	T			ER0		[DRM]
	5073 608AA	1	J			ER0		[DHF,DRK]
		1	J			ER0		[DHF,DRM]
	5080 893AA	1	J			ER0		[DHP,DRK]
		1	J			ER0		[DHP,DRM]
	#5083 965AA	1	T			EVO		
	#5093 484AA	1	J			EVO		[DHF]
	5018 773AA	1	J			EVO		[DHP]
7	5015 109AA	3	J			ER0		BOLT, Drive Shaft, With Tag# 52105884AA, Mounting
8	52105 884AA	1	J			ER0	DGK	SHAFT, Drive, Front, With Tag# 52105884AA
9	5015 694AA	1	J			ER0	DGK	U JOINT, With Tag# 52105884AA, Front
-10	J320 7886	4	J			ER0	DGK	RING, U Joint, With Tag# 52105884AA, Front
11	4882 793	3	J			EVO		U JOINT, With Tag# 52853500AA, Front or Rear
-12	J320 7886	4	J			EVO		RING, U Joint, With Tag# 52853500AA, Front or Rear
13	5016 375AA	1	J			EVO		YOKE, Drive Shaft, With Tag# 52853500AA
14	J324 0553	2				ER0, EVO		STRAP, Prop Shaft With Tag# 52105884AA, Front
		2				ER0, EVO		With Tag# 52853500AA, Front or Rear
15	J400 6928	4				ER0, EVO		BOLT, To Front Axle, Front
16	5012 793AA	1	J			EVO		BOOT, Driveshaft, With Tag# 52853500AA
17	5019 616AA	1	J			EVO		SHAFT, Drive, Front, With Tag# 52853500AA
18	6036 415AA	4	J			EVO		BOLT, With Tag# 52853500AA

JEEP GRAND CHEROKEE (WJ)

SERIES	LINE	BODY	ENGINE	TRANSMISSION
H = Laredo	J = 4WD	74 = 4 Door	ERH = 4.0L, Power Tech I-6	DGK = 4 Speed Autm, 42RE
M = Sport	T = 2WD		EVA = 4.7L, Power Tech V8	DGQ = 5 Speed Automatic, 45RFE
P = Limited			EVC = 4.7L HO V8 MPI	DG0 = All Automatic Transm
S = Overland			ERO = All 4.0L 6 Cyl Gas	
			EVO = All 4.7L Gas	

AR = Use as required - = Non illustrated part # = New this model year

May 1, 2002

Group - 017

Rear Suspension

GROUP 17 - Rear Suspension

Illustration Title

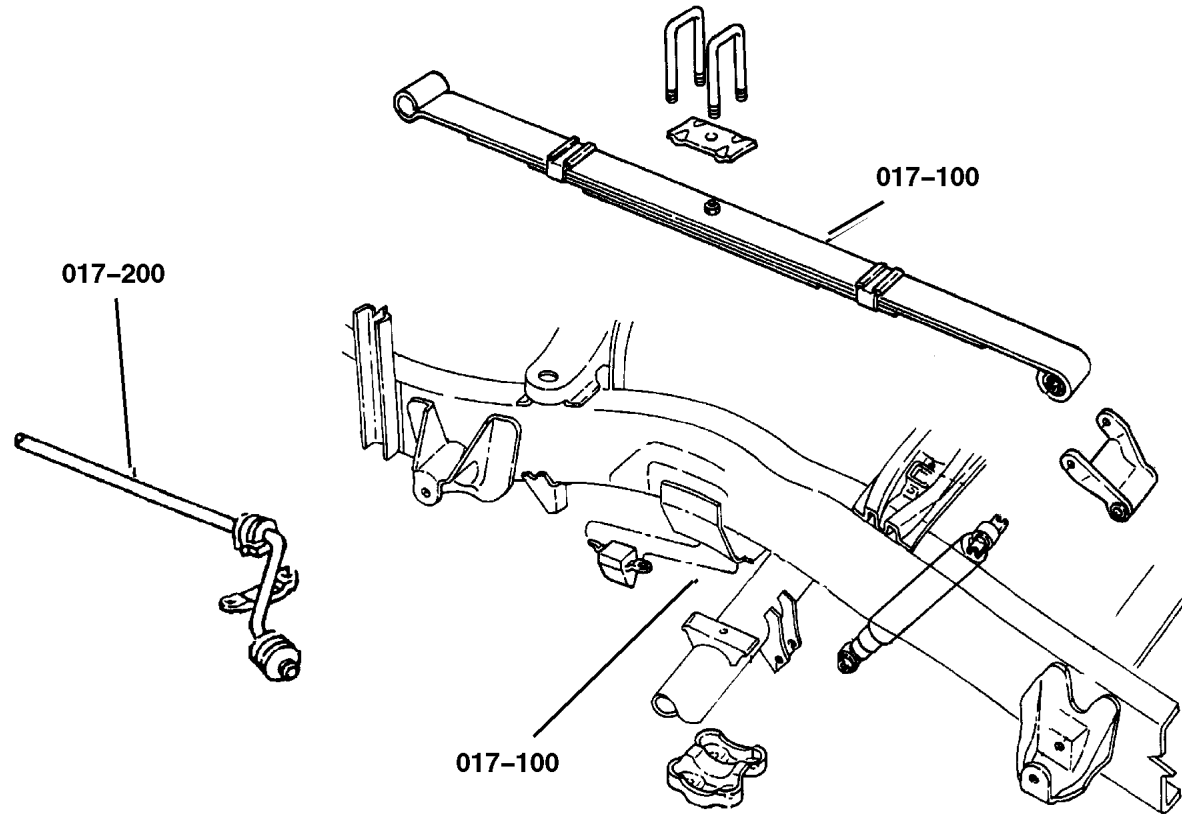
Group-Fig. No.

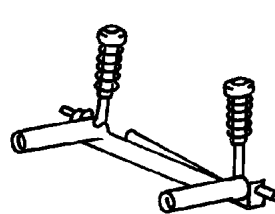
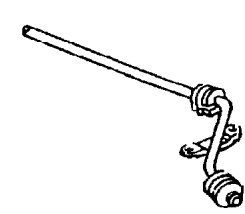
Rear Suspension

Supension, Rear,with Spring,Shocks and Control Arms Fig. 017-110

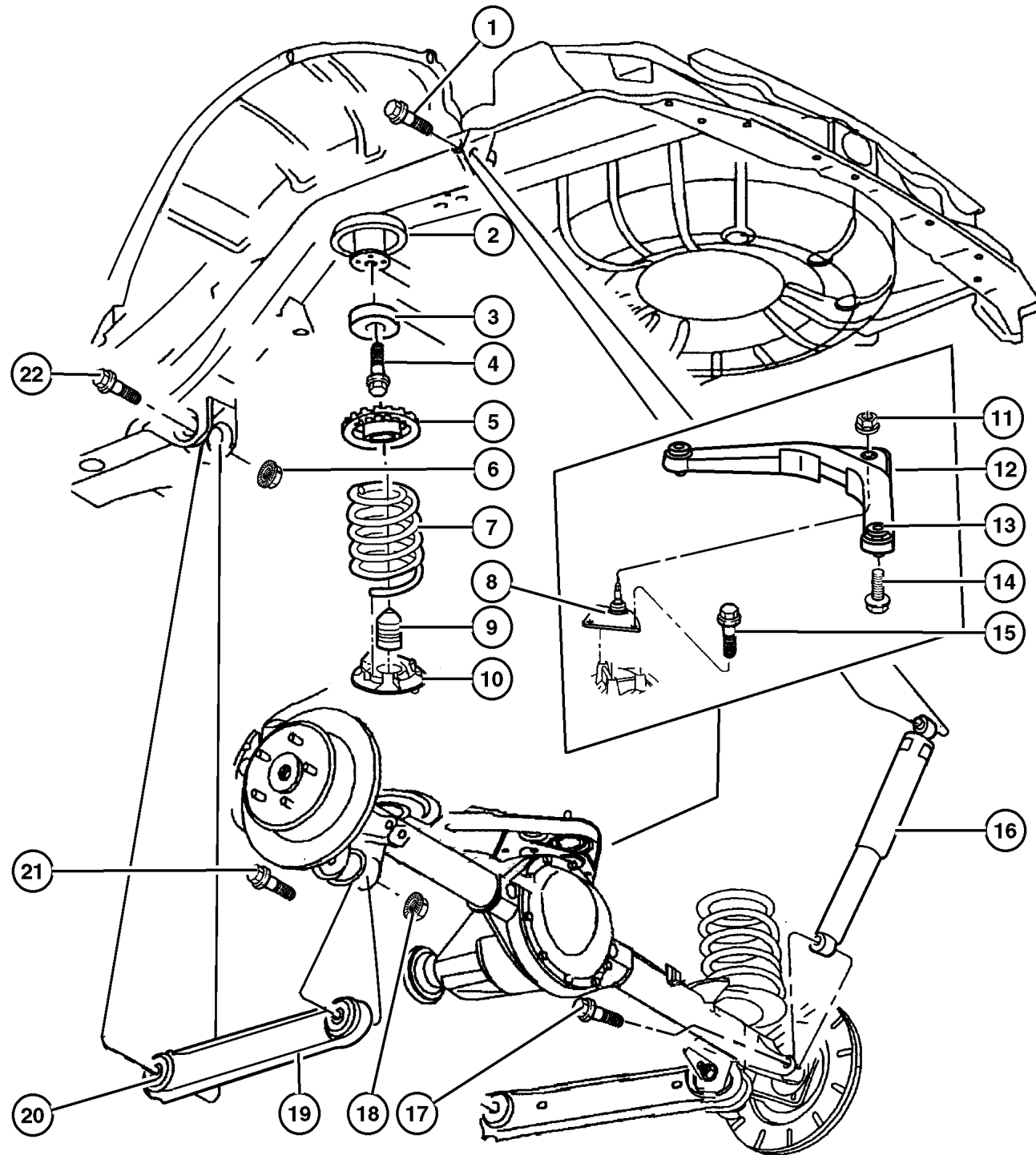
Rear Stabilizer

Stabilizer Bar, Rear Fig. 017-210



<p>017-100 Rear Suspension</p> 	<p>017-200 Rear Stabilizer</p> 		
---	---	--	--

Suspension, Rear, with Spring, Shocks and Control Arms Figure 017-110



ITEM	PART NUMBER	QTY	LINE	SERIES	BODY	ENGINE	TRANS	DESCRIPTION
Note: Sales Codes; ake Shoe Return Spring Lower.								
[SDA]=Suspension - Normal Duty ake Shoe Return Spring Lower.								
[SDU]=Shocks - High Pressure Gas Charged ake Shoe Return Spring Lower.								
[ZKW] Through [ZYZ] = Spring Sales Codes will be found on Vehicle Identification Number [VIN] Sales Codes Listing ake Shoe Return Spring Lower.								
1	6506 147AA	2						SCREW, Hex Flange Head, M12x1.75x80, Shock Mounting, Upper
2	5014 781AA	2						GUIDE, Rear Spring, None
3	5208 8350	2						SPACER, Jounce Bumper, Upper
4	6505 378AA	2						SCREW, Hex Flange Head, M10x1.5x40, Jounce Bumper Spacer Attaching, Upper
5	5208 8346	2						ISOLATOR, Spring
6	6502 698	3						NUT, Hex Flange Lock, LCA to Sill Mounting
7								SPRING, Suspension, Rear
	5208 8343	1						[ZKW,ZYW]
	5208 8344	1						[ZLV,ZZV]
	5208 8345	1						[ZLW,ZZW]
	5208 8404	1						[ZKY,ZYY]
	5208 8550	1						[ZKX,ZYX]
	5208 8551	1						[ZLU,ZZU]
	52089 500AA	1						[ZKZ,ZYZ]
8	52088 808AB	1						BALL JOINT ASSEMBLY, UPPER CONTROL ARM, REAR
9	52088 352AB	2						BUMPER, Jounce, Lower
10	52088 402AB	2						ISOLATOR, Spring, Lower
11	6505 688AA	1						NUT, Hex Flange Lock, M14x2, UCA to Axle Ball Joint
12	52088 422AB	1						ARM, Upper Control, Rear, with 2-Bushings
13	5208 8425	2						BUSHING, Control Arm
14	6504 748	2						SCREW, Hex Flange Head, M12x1.75x117, Control Arm to Body Mounting, Upper
15	6505 445AA	3						SCREW, Hex Flange Head, M14x2x36, Ball Joint to Axle Mounting, Upper
16								SHOCK ABSORBER, Suspension, Rear
	52088 221AE	2						[SDA]
	#52088 235AC	2						[SDU]
17	6505 935AA	2						SCREW, Shock Mounting, Lower

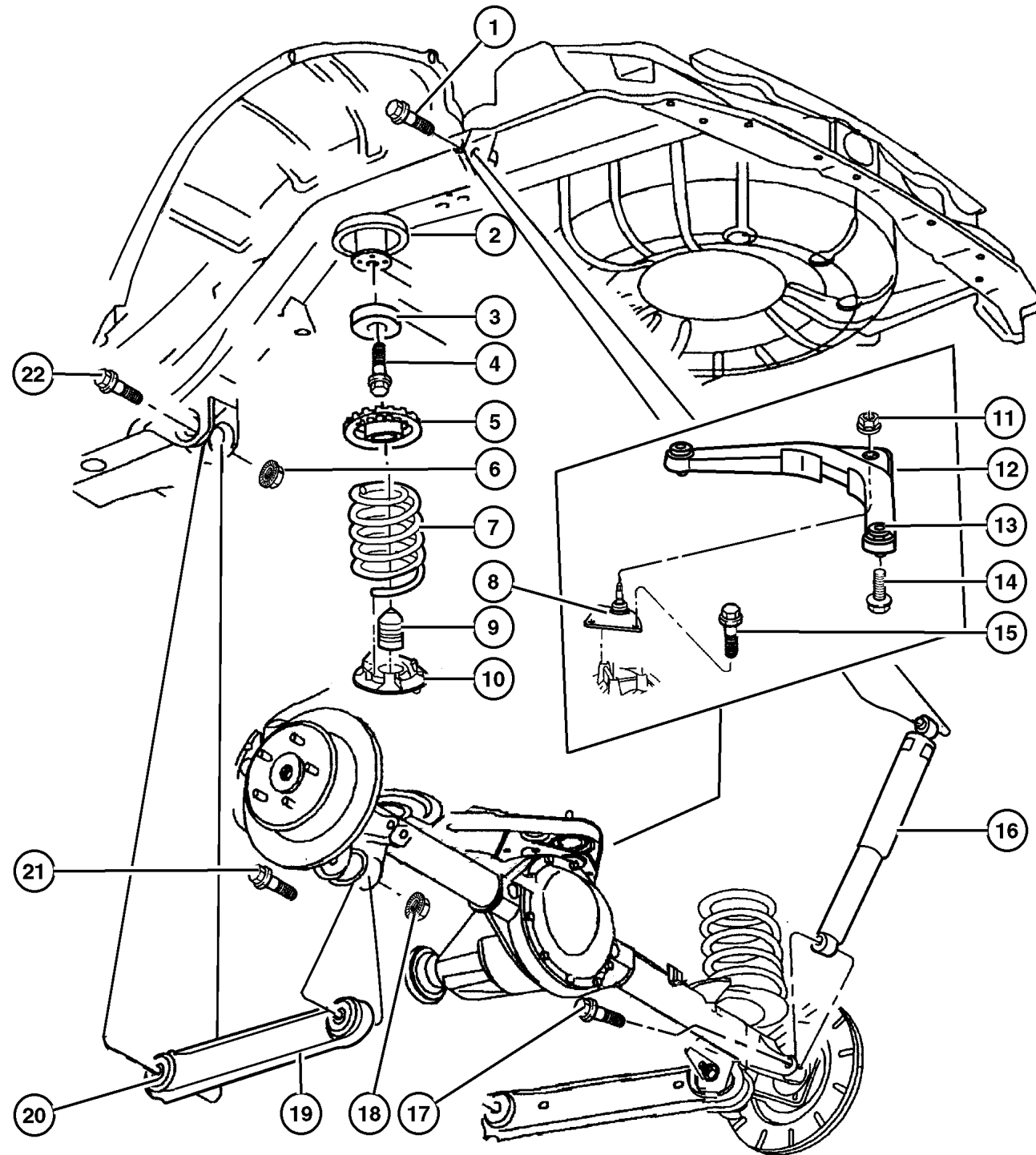
JEEP GRAND CHEROKEE (WJ)

SERIES	LINE	BODY	ENGINE	TRANSMISSION
H = Laredo	J = 4WD	74 = 4 Door	ERH = 4.0L, Power Tech I-6	DGK = 4 Speed Autm, 42RE
M = Sport	T = 2WD		EVA = 4.7L, Power Tech V8	DGQ = 5 Speed Automatic, 45RFE
P = Limited			EVC = 4.7L HO V8 MPI	DG0 = All Automatic Transm
S = Overland			ERO = All 4.0L 6 Cyl Gas	
			EVO = All 4.7L Gas	

AR = Use as required - = Non illustrated part # = New this model year

May 1, 2002

Suspension, Rear,with Spring,Shocks and Control Arms
Figure 017-110



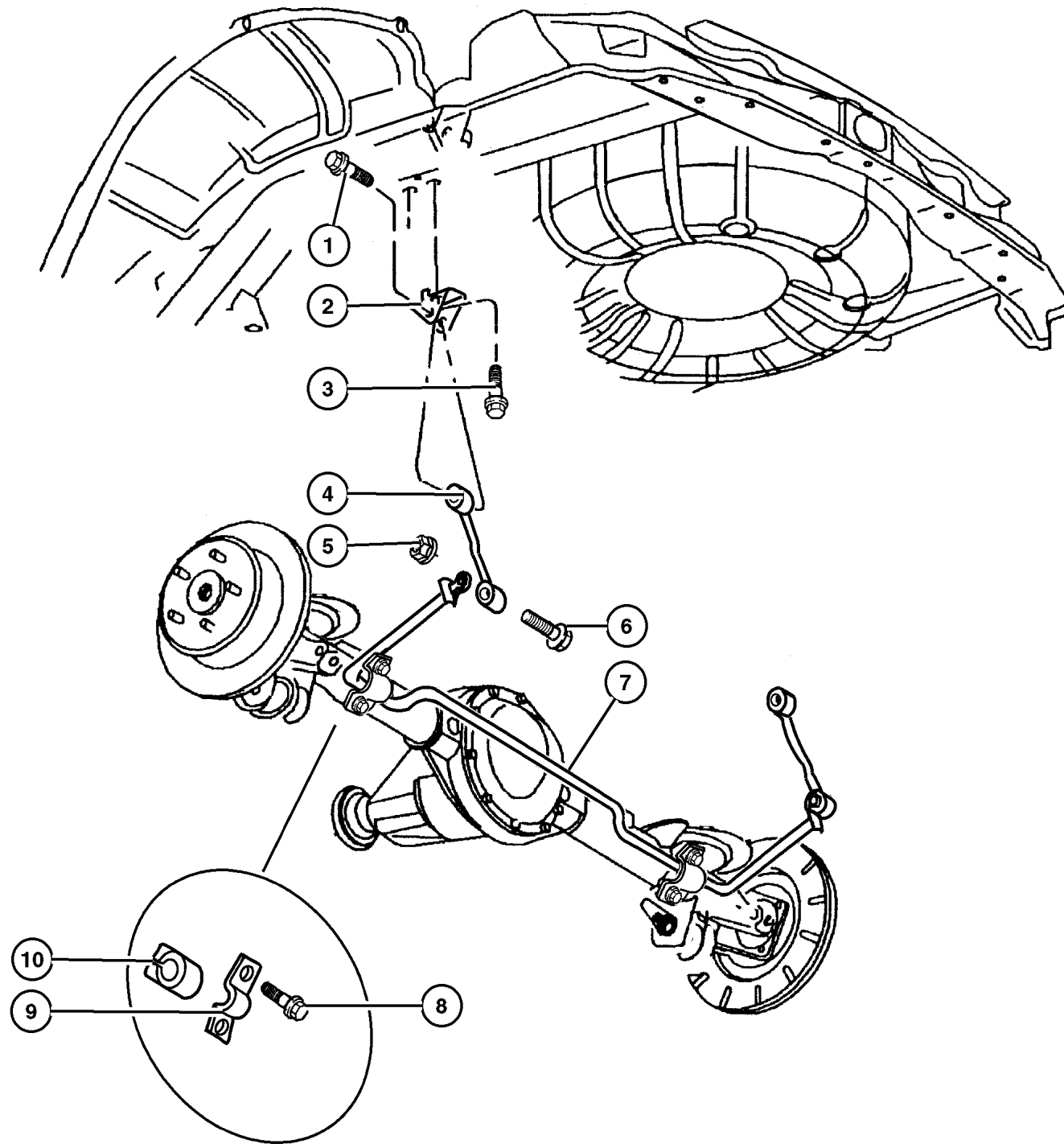
ITEM	PART NUMBER	QTY	LINE	SERIES	BODY	ENGINE	TRANS	DESCRIPTION
18	6502 698	3						NUT, Hex Flange Lock, Control Arm to Axle Mounting, Lower
19	52088 355AB	2						ARM, Control
20	5208 8220	2						BUSHING, Control Arm, Control Arm to Body
21	6505 214AA	2						SCREW, Hex Flange Head, M14x2.00x114, Control Arm to Axle Mounting, Lower
22	6506 033AA	2						BOLT, Hex Flange Head, M14x2.0x105, Control Arm to Body Mounting, Lower
-23	6505 439AA	1						NUT AND RETAINER, Hex Flange Locking, M14 x 2.00, Control Arm to Body, Lower

JEEP GRAND CHEROKEE (WJ)				
SERIES	LINE	BODY	ENGINE	TRANSMISSION
H = Laredo	J = 4WD	74 = 4 Door	ERH = 4.0L, Power Tech I-6	DGK = 4 Speed Autm, 42RE
M = Sport	T = 2WD		EVA = 4.7L, Power Tech V8	DGQ = 5 Speed Automatic, 45RFE
P = Limited			EVC = 4.7L HO V8 MPI	DG0 = All Automatic Transm
S = Overland			ERO = All 4.0L 6 Cyl Gas	
			EVO = All 4.7I Gas	

AR = Use as required - = Non illustrated part # = New this model year

May 1, 2002

Stabilizer Bar, Rear
Figure 017-210



ITEM	PART NUMBER	QTY	LINE	SERIES	BODY	ENGINE	TRANS	DESCRIPTION
1	6505 935AA	2						SCREW, Sway Bar Link to Sill Bracket, Mounting
2	52088 525AB	2						BRACKET, Suspension
3								SCREW AND WASHER, Hex Head, M10-1.50x30, (NOT SERVICED)
4	52088 319AB	2						LINK, Sway Eliminator
5	6502 696	2						NUT, Hex Flange Lock, M10x1.5, Sway Bar Link to Sway Bar, Mounting
6	6503 726	2						SCREW, Shoulder, Sway Bar Link to Sway Bar, Mounting
7	52088 739AB	1						STABILIZER BAR, Rear Suspension
8	6503 571	4						SCREW AND WASHER, M10x1.50x35
9	5208 7865	2						RETAINER, Sway Bar
10	52088 738AD	2						BUSHING, Sway Bar

JEEP GRAND CHEROKEE (WJ)

SERIES	LINE	BODY	ENGINE	TRANSMISSION
H = Laredo	J = 4WD	74 = 4 Door	ERH = 4.0L, Power Tech I-6	DGK = 4 Speed Autm, 42RE
M = Sport	T = 2WD		EVA = 4.7L, Power Tech V8	DGQ = 5 Speed Automatic, 45RFE
P = Limited			EVC = 4.7L HO V8 MPI	DG0 = All Automatic Transm
S = Overland			ERO = All 4.0L 6 Cyl Gas	
			EVO = All 4.7I Gas	

AR = Use as required - = Non illustrated part # = New this model year

May 1, 2002

Group – 019

Steering

GROUP 19 - Steering

Illustration Title

Group-Fig. No.

Steering Wheel

Steering Wheel Assembly Fig. 019-110

Steering Column

Steering Column Assy Fig. 019-210

Steering Gear

Steering Gear Fig. 019-310

Steering Linkage

Steering Linkage Fig. 019-410

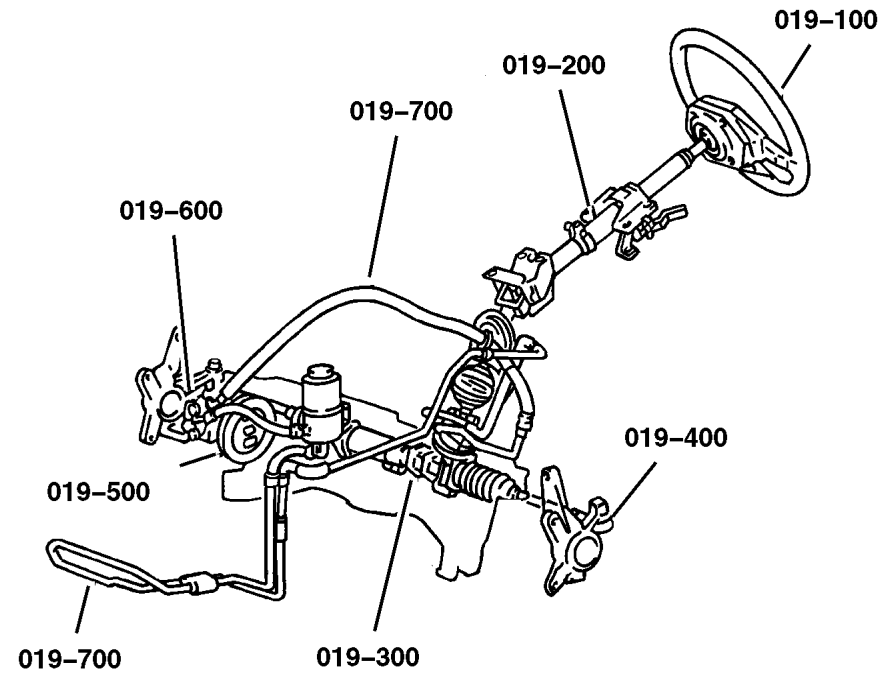
Power Steering Pump

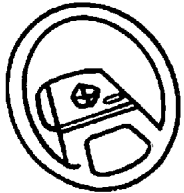
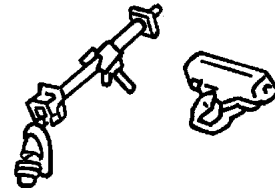
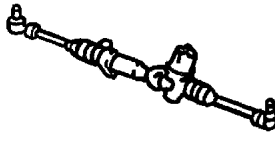
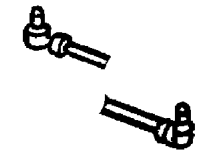
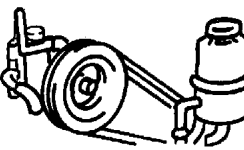

Power Steering Pump Fig. 019-510

Power Steering Hoses

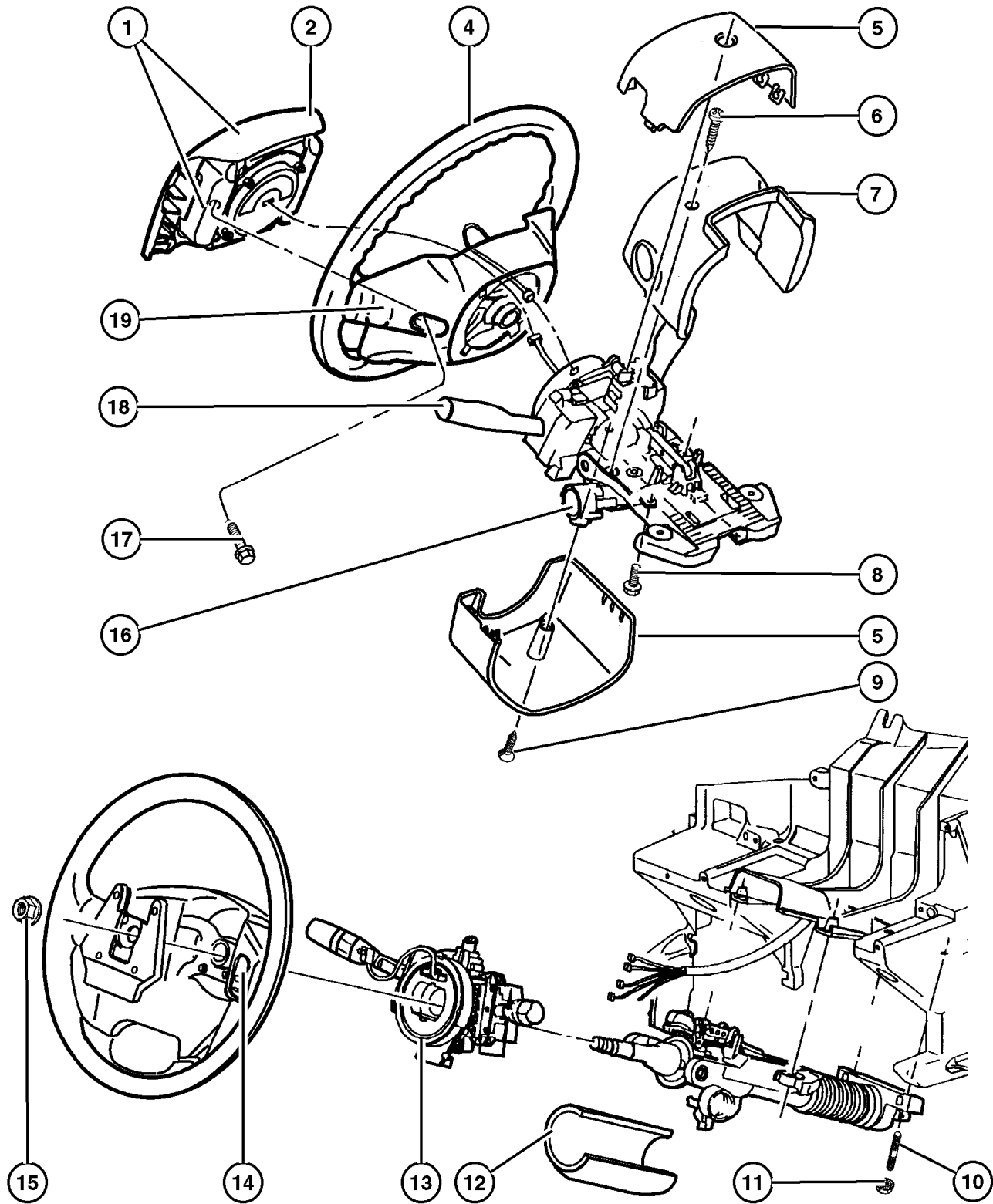
Power Steering Hoses-4.0L [ER0] Engine Fig. 019-710

Power Steering Hoses-4.7L [EV0] Engine Fig. 019-720



<p>019-100 Steering Wheel</p> 	<p>019-200 Steering Column</p> 	<p>019-300 Steering Gear</p> 	<p>019-400 Steering Linkage</p> 
<p>019-500 Power Steering Pump</p> 	<p>019-700 Power Steering Hoses</p> 		

Steering Wheel Assembly Figure 019-110



ITEM	PART NUMBER	QTY	LINE	SERIES	ENGINE	TRANS	DESCRIPTION
------	-------------	-----	------	--------	--------	-------	-------------

Note: If Horn Switch is defective, you must replace the AIR BAG COVER WITH SWITCH and not the AIR BAG MODULE ASSEMBLY itself. ake Shoe Return Spring Lower.

Note: Sales Codes; ake Shoe Return Spring Lower.

[DG0]=Transmissions - All Automatic ake Shoe Return Spring Lower.

[SCA]=Steering Wheel ake Shoe Return Spring Lower.

[SCL]=Steering Wheel - Leather Wrapped ake Shoe Return Spring Lower.

[SCW]=Steering Wheel - Wood/Leather Wrapped ake Shoe Return Spring Lower.

1							AIR BAG, Driver
	#5GV61 XDVAA	1		H			Dark Quartz
		1		P			Dark Quartz
	#5GV61 WL8AA	1		P			Very Dark Brown
	#5GV61 XTMAA	1		P			Black
	#5GV61 XDVAA	1		S			Dark Quartz
2							COVER, Air Bag Module
	WH20 XDVAA	1		H			Includes Horn Switch-[DV]
		1		P			Includes Horn Switch-[DV]
	WH20 WL8AA	1		P			Includes Horn Switch-[L5]
	WH20 XTMAA	1		P			Includes Horn Switch-[T5]
	WH20 XDVAA	1		S			Includes Horn Switch-[DV]
-3							SWITCH, Horn
	5014 533AA	1		H			with Mounting Hardware
		1		P			with Mounting Hardware
		1		S			with Mounting Hardware
4							WHEEL, Steering
	#5HM23 1DVAB	1					[SCA] Dark Quartz
	WB61 1DVAA	1		H			[SCL] Dark Quartz
		1		P			[SCL] Dark Quartz
	WB61 1L8AA	1		P			[SCL] Very Dark Brown
	WB61 1TMAA	1		P			[SCL] Black
	#5GV25 1DVAB	1					[SCW] Dark Quartz
5							SHROUD, Steering Column
	5GE40 XDVAB	1		H			Dark Quartz, Upper And Lower
		1		P			Dark Quartz, Upper And Lower
	5GE40 WL8AB	1		P			Very Dark Brown, Upper And Lower
	5GE40 XTMAAB	1		P			Black, Upper And Lower
	5GE40 XDVAB	1		S			Dark Quartz, Upper And Lower
6	6035 142	2					SCREW, .164-32x1.00, Shroud to Column, Mounting
7							SHROUD, Steering Column
	5GE39 XDVAA	1		H		DG0	Fixed-Dark Quartz, Upper
		1		P		DG0	Fixed-Dark Quartz, Upper
	5GE39 WL8AA	1		P		DG0	Fixed-Very Dark Brown, Upper

JEEP GRAND CHEROKEE (WJ)

SERIES	LINE	BODY	ENGINE	TRANSMISSION
H = Laredo	J = 4WD	74 = 4 Door	ERH = 4.0L, Power Tech I-6	DGK = 4 Speed Autm, 42RE
M = Sport	T = 2WD		EVA = 4.7L, Power Tech V8	DGQ = 5 Speed Automatic, 45RFE
P = Limited			EVC = 4.7L HO V8 MPI	DG0 = All Automatic Transm
S = Overland			ERO = All 4.0L 6 Cyl Gas	
			EVO = All 4.7L Gas	

AR = Use as required - = Non illustrated part # = New this model year

May 1, 2002

Steering Wheel Assembly Figure 019-110

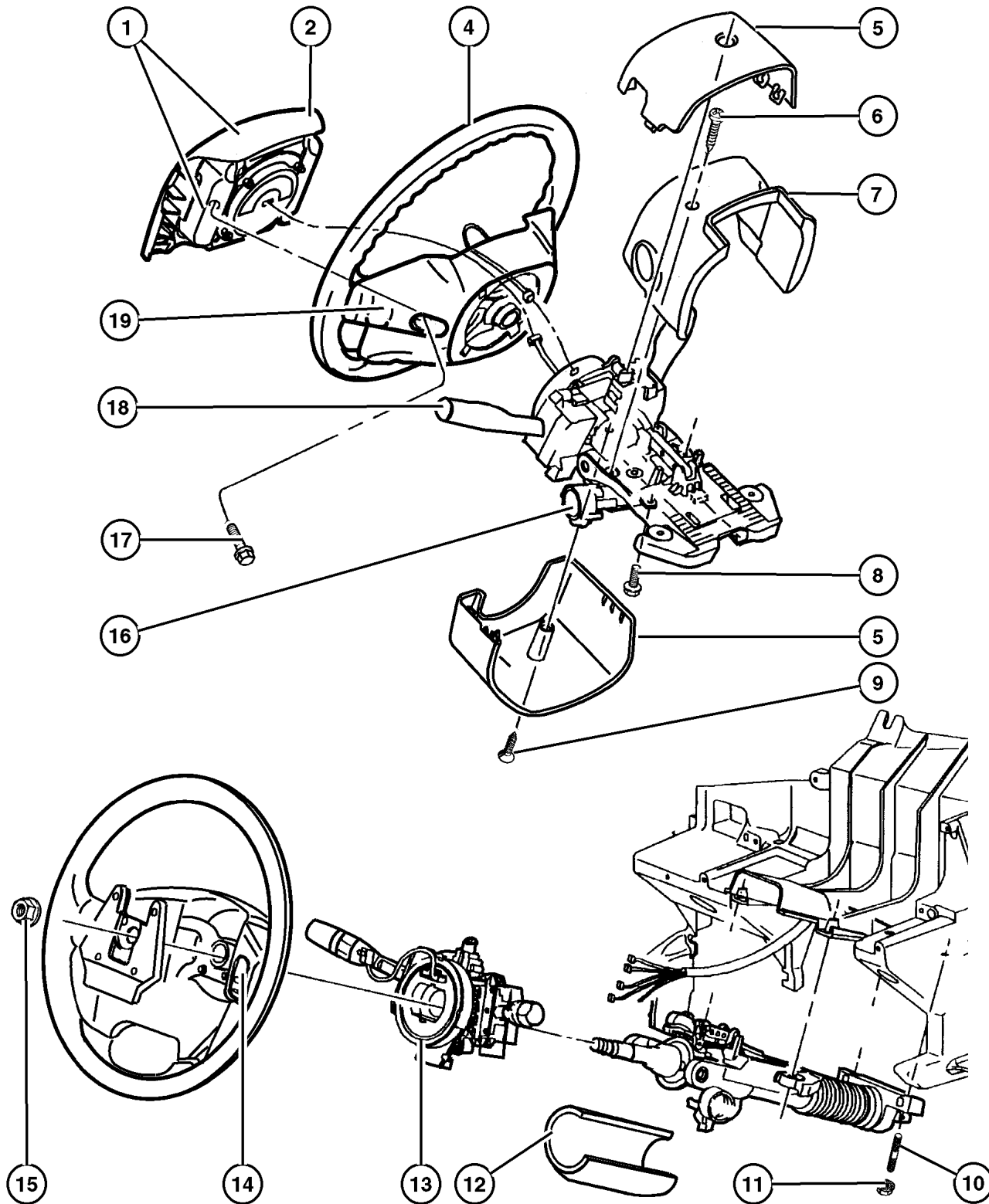
ITEM	PART NUMBER	QTY	LINE	SERIES	ENGINE	TRANS	DESCRIPTION
	5GE39 XTMAA	1		P		DG0	Fixed-Black, Upper
	5GE39 XDVAA	1		S		DG0	Fixed-Dark Quartz, Upper
8	6505 513AA	1					SCREW, Tapping, M4x0.7x14, Smart Key Immobilizer Module, Mounting
9	6034 678	1					SCREW, Self Piercing, .164-15-1, Shroud to Shroud, Mounting
10							STUD, M6x1.00mmx48.80mm, (NOT SERVICED)
11	6503 014	4					NUT AND WASHER, Hex, M6x1, Steering Column, Mounting
12	4690 413	2					COVER, Steering Wheel
13	#56042 770AD	1					CLOCKSPRING
14							SWITCH, Speed Control
	56042 310AC	1					[SCA], Right
	56042 311AC	1					[SCA], Left
	5GY38 1DVAA	1		H			[SCL] Dark Quartz, Right
	5GY39 1DVAA	1		H			[SCL] Dark Quartz, Left
	5GY38 1DVAA	1		P			[SCL] Dark Quartz, Right
	5GY39 1DVAA	1		P			[SCL] Dark Quartz, Left
	5GY38 1L8AA	1		P			[SCL] Very Dark Brown, Right
	5GY39 1L8AA	1		P			[SCL] Very Dark Brown, Left
	5GY38 1TMAA	1		P			[SCL] Black, Right
	5GY39 1TMAA	1		P			[SCL] Black, Left
	5GY38 1DVAA	1					[SCW] Dark Quartz, Right
	5GY39 1DVAA	1					[SCW] Dark Quartz, Left
15	6505 248AA	1					NUT, Hex Flange Lock
16	4686 665AB	1					MODULE, Immobilizer
17	6506 091AA	2					SCREW, M6x1x25, Air Bag to Steering Wheel, Mounting
18	4690 595AA	1					LEVER, Steering Column
19							SWITCH, Remote Radio
	56042 312AB	1		H			[SCL], Right
	56042 313AB	1		H			[SCL], Left
	56042 312AB	1		P			[SCL], Right
	56042 313AB	1		P			[SCL], Left
	56042 312AB	1					[SCW], Right
	56042 313AB	1					[SCW], Left
-20	4595 749AA	1					LABEL, Air Bag Warning
-21							WIRING, Steering Wheel
	#56042 937AA	1					[SCA]
	#56042 934AA	1		H			[SCL]
		1		P			[SCL]
		1					[SCW]

JEEP GRAND CHEROKEE (WJ)

SERIES	LINE	BODY	ENGINE	TRANSMISSION
H = Laredo	J = 4WD	74 = 4 Door	ERH = 4.0L, Power Tech I-6	DGK = 4 Speed Autm, 42RE
M = Sport	T = 2WD		EVA = 4.7L, Power Tech V8	DGQ = 5 Speed Automatic, 45RFE
P = Limited			EVC = 4.7L HO V8 MPI	DG0 = All Automatic Transm
S = Overland			ERO = All 4.0L 6 Cyl Gas	
			EVO = All 4.7L Gas	

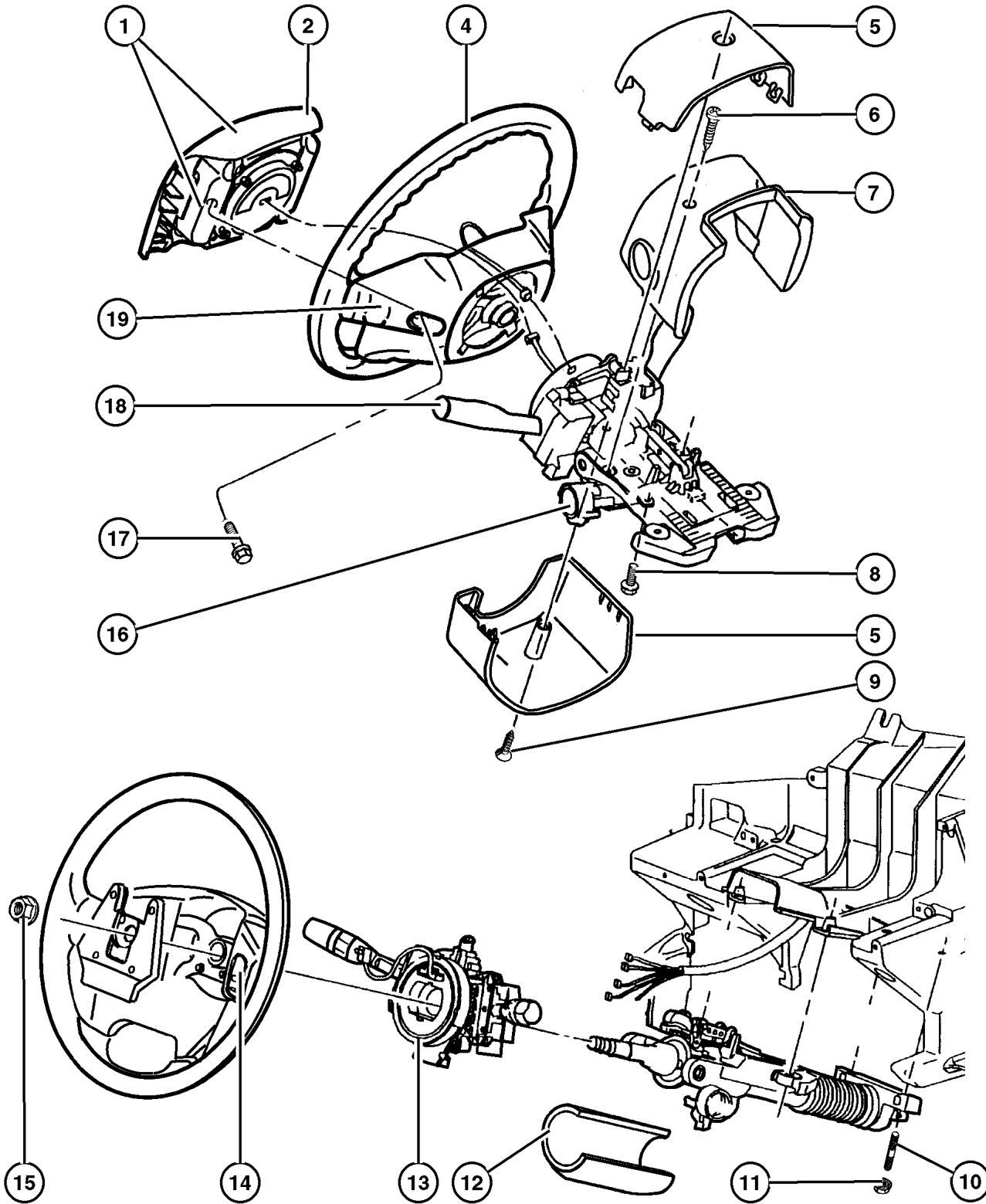
AR = Use as required - = Non illustrated part # = New this model year

May 1, 2002



Steering Wheel Assembly
Figure 019-110

ITEM	PART NUMBER	QTY	LINE	SERIES	ENGINE	TRANS	DESCRIPTION
-22	56042 297AD	1					HOUSING, Switch, with Turn Signal Cancelling Cam, Multifunction



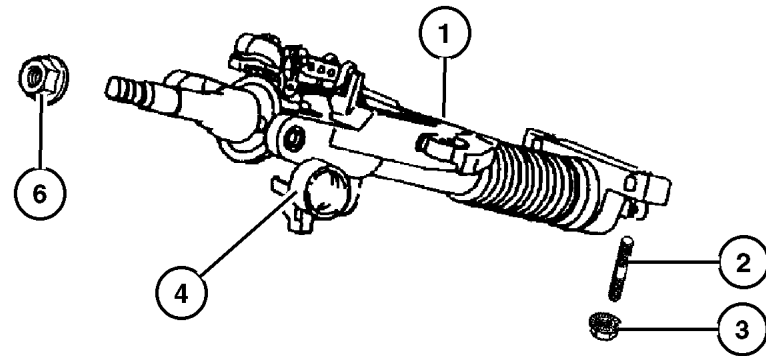
JEEP GRAND CHEROKEE (WJ)			
SERIES	LINE	BODY	ENGINE
H = Laredo	J = 4WD	74 = 4 Door	ERH = 4.0L, Power Tech I-6
M = Sport	T = 2WD		EVA = 4.7L, Power Tech V8
P = Limited			EVC = 4.7L HO V8 MPI
S = Overland			ERO = All 4.0L 6 Cyl Gas
			EVO = All 4.7L Gas
			TRANSMISSION
			DGK = 4 Speed Autm, 42RE
			DGQ = 5 Speed Automatic, 45RFE
			DG0 = All Automatic Transm

AR = Use as required - = Non illustrated part # = New this model year

May 1, 2002

**Steering Column Assy
Figure 019-210**

ITEM	PART NUMBER	QTY	LINE	SERIES	ENGINE	TRANS	DESCRIPTION
1	55115 970AE	1					COLUMN, Steering, Tilt
2							STUD, M6x1.00mmx48.80mm, (NOT SERVICED)
3	6503 014	4					NUT AND WASHER, Hex, M6x1, Steering Column, Mounting
4	4690 488	1					HOUSING, Steering Column Lock, Holds Cylinder and Key
-5	4690 023	2					SCREW, Pan Head, .25-20x.62, Ignition Lock Housing, Mounting
6	6505 248AA	1					NUT, Hex Flange Lock, Steering Wheel, Mounting



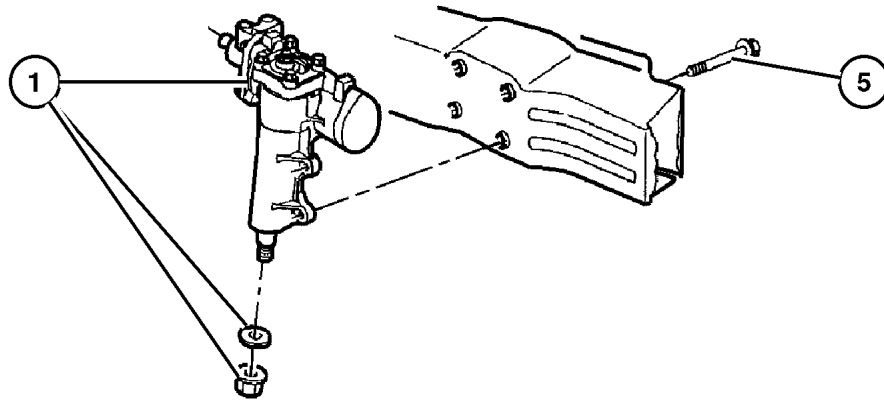
JEEP GRAND CHEROKEE (WJ)				
SERIES	LINE	BODY	ENGINE	TRANSMISSION
H = Laredo	J = 4WD	74 = 4 Door	ERH = 4.0L, Power Tech I-6	DGK = 4 Speed Autm, 42RE
M = Sport	T = 2WD		EVA = 4.7L, Power Tech V8	DGQ = 5 Speed Automatic, 45RFE
P = Limited			EVC = 4.7L HO V8 MPI	DG0 = All Automatic Transm
S = Overland			ERO = All 4.0L 6 Cyl Gas	
			EVO = All 4.7l Gas	

AR = Use as required - = Non illustrated part # = New this model year

May 1, 2002

Steering Gear Figure 019-310

ITEM	PART NUMBER	QTY	LINE	SERIES	ENGINE	TRANS	DESCRIPTION
1	52088 272AE	1					GEAR, Power Steering
-2	5014 667AA	1					SEAL KIT, Steering Gear Housing
-3	5014 665AA	1					SEAL KIT, Steering Gear
-4	5014 671AA	1					SEAL KIT, Steering gear pitman shaft
5	6504 965AA	4					SCREW, Hex Head, Steering Gear to Sill, Mounting

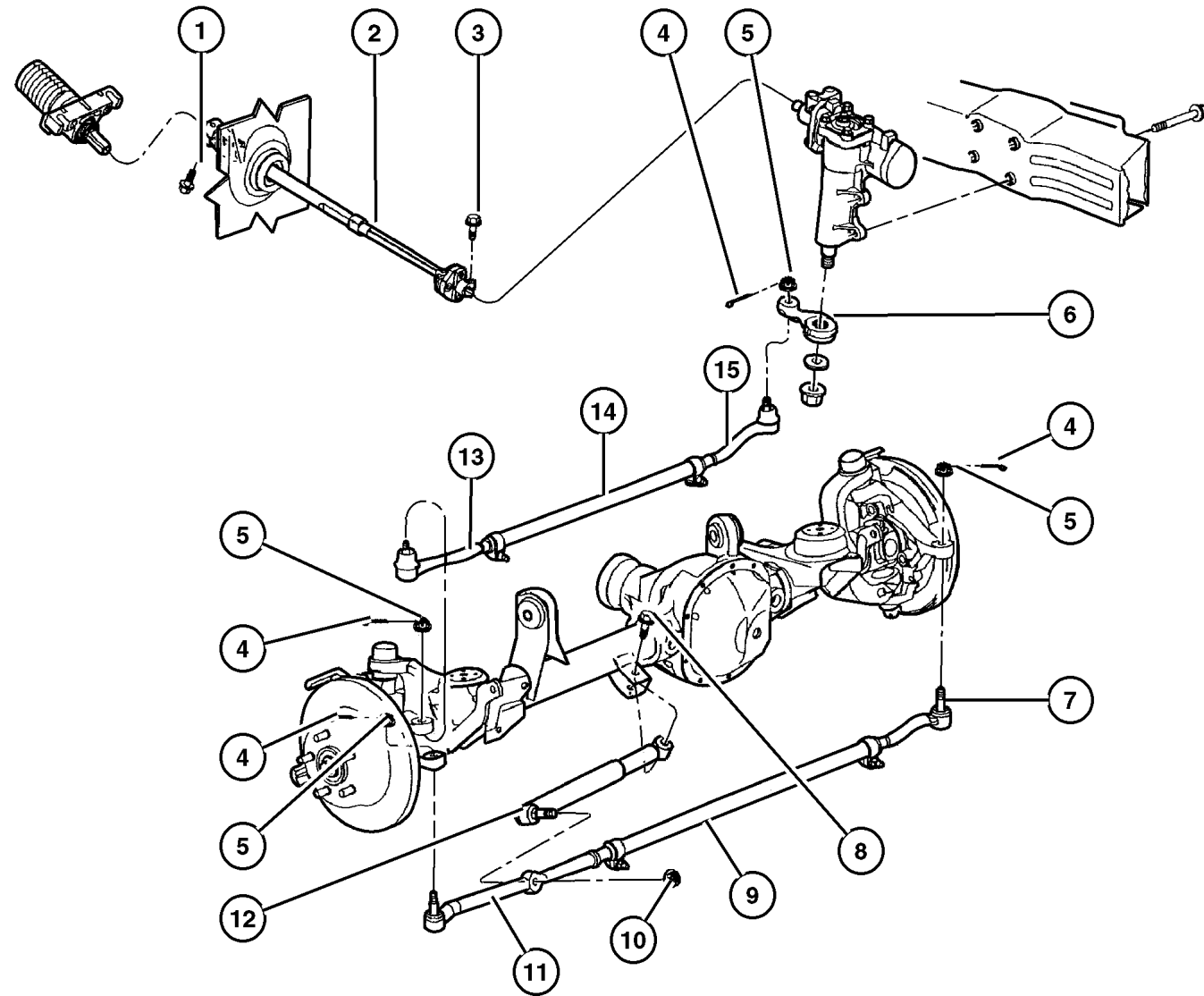


JEEP GRAND CHEROKEE (WJ)				
SERIES	LINE	BODY	ENGINE	TRANSMISSION
H = Laredo	J = 4WD	74 = 4 Door	ERH = 4.0L, Power Tech I-6	DGK = 4 Speed Autm, 42RE
M = Sport	T = 2WD		EVA = 4.7L, Power Tech V8	DGQ = 5 Speed Automatic, 45RFE
P = Limited			EVC = 4.7L HO V8 MPI	DG0 = All Automatic Transm
S = Overland			ERO = All 4.0L 6 Cyl Gas	
			EVO = All 4.7l Gas	

AR = Use as required - = Non illustrated part # = New this model year

May 1, 2002

Steering Linkage Figure 019-410



ITEM	PART NUMBER	QTY	LINE	SERIES	ENGINE	TRANS	DESCRIPTION
1	6504 926AA	2					SCREW, Hex Flange Head, M10x1.5x40, Intermediate Shaft to Steering Column
2	52088 253AG	1					SHAFT, Intermediate
3	6504 926AA	2					SCREW, Hex Flange Head, M10x1.5x40, Intermediate Shaft to Steering Gear
4							PIN, Cotter
	3420 2101	2					Tie Rod to Knuckle
		1					Drag Link to Pitman Arm
		1					Drag Link to Knuckle
5							NUT, Hex, .50-20
	6034 358	2					Tie Rod to Knuckle, Mounting
		1					Drag Link to Pitman Arm, Mounting
		1					Drag Link to Knuckle, Mounting
6	5208 8242	1					ARM, Pitman
7	52088 869AA	1					SOCKET, Tie Rod, Outer, to Knuckle, Left
8	6502 473	1					BOLT, Hex Flange Head, M12x1.75x65, Steering Damper to Axle Bracket, Mounting
9	52088 871AB	1					LINK, Steering, Adjuster Tube with Clamps
10	6505 822AA	1					NUT, Damper Stud to Tie Rod, Mounting
11	52088 870AA	1					SOCKET, Tie Rod, Outer, to Knuckle, Right
12	52088 251AB	1					DAMPER, Steering
13	5208 8461	1					SOCKET, Tie Rod, Drag Link to Knuckle
14	52088 463AB	1					LINK, Steering, Adjuster Tube with Clamps
15	5208 8511	1					SOCKET, Tie Rod, Drag Link to Pitman Arm

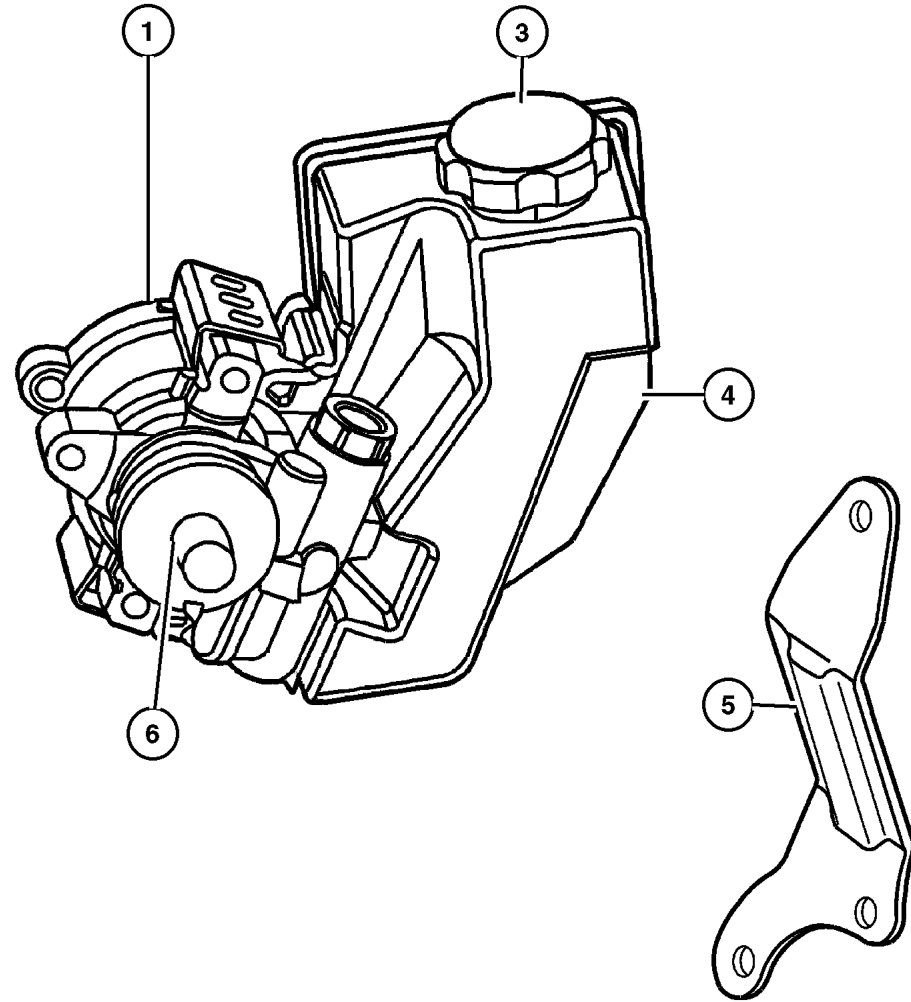
JEEP GRAND CHEROKEE (WJ)

SERIES	LINE	BODY	ENGINE	TRANSMISSION
H = Laredo	J = 4WD	74 = 4 Door	ERH = 4.0L, Power Tech I-6	DGK = 4 Speed Autm, 42RE
M = Sport	T = 2WD		EVA = 4.7L, Power Tech V8	DGQ = 5 Speed Automatic, 45RFE
P = Limited			EVC = 4.7L HO V8 MPI	DG0 = All Automatic Transm
S = Overland			ERO = All 4.0L 6 Cyl Gas	
			EVO = All 4.7I Gas	

AR = Use as required - = Non illustrated part # = New this model year

May 1, 2002

**Power Steering Pump
Figure 019-510**



ITEM	PART NUMBER	QTY	LINE	SERIES	ENGINE	TRANS	DESCRIPTION
Note: Sales Codes; ake Shoe Return Spring Lower.							
[ER0] = 4.0L 6 Cyl Engine ake Shoe Return Spring Lower.							
[EVC]=Engine - 4.7L Power Tech HO V8 ake Shoe Return Spring Lower.							
[EV0] = 4.7L Gas Engine ake Shoe Return Spring Lower.							
1	52089 300AB	1			EVO		PUMP, Power Steering
-2	5080 551AA	1			ER0		PUMP ASSEMBLY, Power Steering with Pulley
3	4897 287AA	1			ER0		CAP, Power Steering Reservoir
	5073 626AA	1			EVO		
4	5016 184AA	1			ER0		RESERVOIR KIT, power steering pump
5	4854 157	1			ER0		BRACE, Power Steering Pump
6	4728 247	1			ER0		SEAL, Power Steering Pump Shaft
-7	53010 258AB	1			ER0,		PULLEY, Power Steering Pump
					EVO		
-8	6502 425	3			ER0		SCREW AND WASHER, Hex Head, M8x1.25x95, Power Steering Pump and Brace, Mounting
-9	6102 045AA	3			EVO		SCREW AND WASHER, Hex Head, Power Steering Pump, Mounting
-10	52088 914AA	1			EVO		FITTING, Quick Disconnect
-11	5019 705AA	1			EVO		O RING
-12	6101 820	1			EVC		NUT, Hex Flange Lock, Power Steering Pump Brace to Water Pump, Mounting

JEEP GRAND CHEROKEE (WJ)				
SERIES	LINE	BODY	ENGINE	TRANSMISSION
H = Laredo	J = 4WD	74 = 4 Door	ERH = 4.0L, Power Tech I-6	DGK = 4 Speed Autm, 42RE
M = Sport	T = 2WD		EVA = 4.7L, Power Tech V8	DGQ = 5 Speed Automatic, 45RFE
P = Limited			EVC = 4.7L HO V8 MPI	DG0 = All Automatic Transm
S = Overland			ERO = All 4.0L 6 Cyl Gas	
			EVO = All 4.7L Gas	

AR = Use as required - = Non illustrated part # = New this model year

May 1, 2002

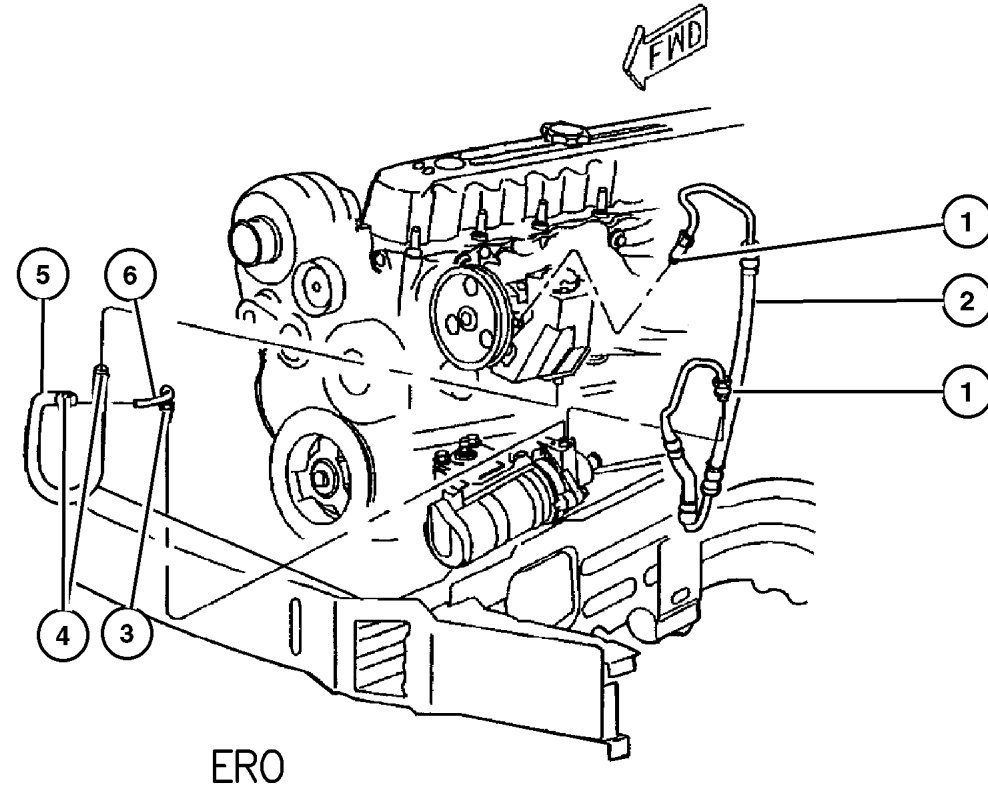
**Power Steering Hoses-4.0L [ER0] Engine
Figure 019-710**

ITEM	PART NUMBER	QTY	LINE	SERIES	ENGINE	TRANS	DESCRIPTION
------	-------------	-----	------	--------	--------	-------	-------------

Note: ake Shoe Return Spring Lower.

ER0=All 4.0L 6 Cylinder Gas Engine ake Shoe Return Spring Lower.

1	5205 254	2			ER0		O RING, Power Steering Hose, As Required
2	52088 452AD	1			ER0		HOSE, Power Steering Pressure, Includes Item 3
3	5205 254	1					O RING, Power Steering Hose
4	2448 761	1			ER0		CLAMP, Hose, As Required
5	52088 774AA	1			ER0		HOSE, Power Steering Return, Includes Item 6
6	52088 775AA	1			ER0		TUBE, Power Steering Return, Includes Item 5



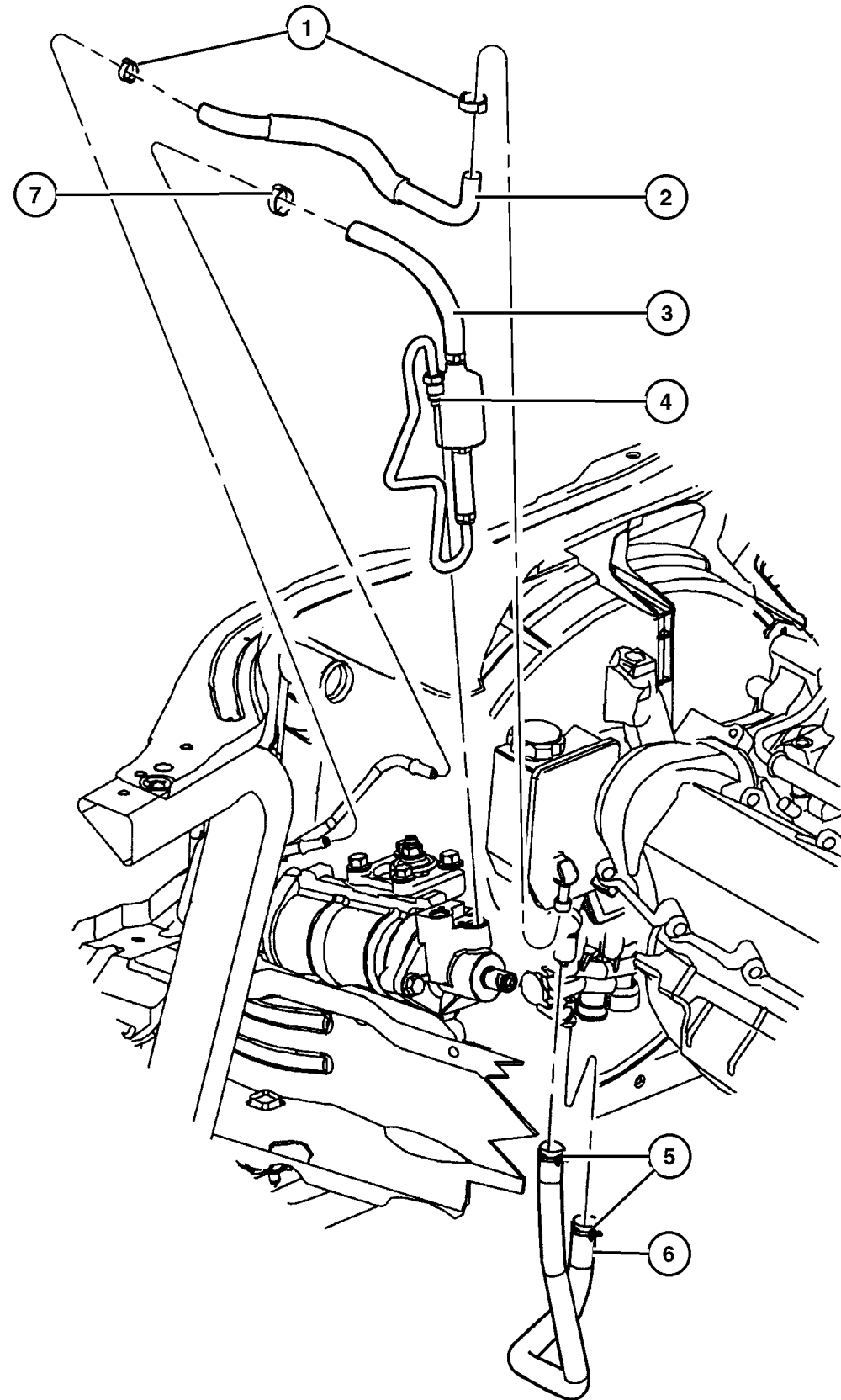
JEEP GRAND CHEROKEE (WJ)

SERIES	LINE	BODY	ENGINE	TRANSMISSION
H = Laredo	J = 4WD	74 = 4 Door	ERH = 4.0L, Power Tech I-6	DGK = 4 Speed Autm, 42RE
M = Sport	T = 2WD		EVA = 4.7L, Power Tech V8	DGQ = 5 Speed Automatic, 45RFE
P = Limited			EVC = 4.7L HO V8 MPI	DG0 = All Automatic Transm
S = Overland			ER0 = All 4.0L 6 Cyl Gas	
			EVO = All 4.7l Gas	

AR = Use as required - = Non illustrated part # = New this model year

May 1, 2002

**Power Steering Hoses-4.7L [EV0] Engine
Figure 019-720**



ITEM	PART NUMBER	QTY	LINE	SERIES	ENGINE	TRANS	DESCRIPTION
------	-------------	-----	------	--------	--------	-------	-------------

Note: Sales Codes; ake Shoe Return Spring Lower.

EV0= All 4.7L Engines ake Shoe Return Spring Lower.

Note: For hoses that are attached to the Cooling Module, see Group 7. ake Shoe Return Spring Lower.

1	2448 770	2			EV0		CLAMP, Hose
2	52088 922AB	1			EV0		HOSE, Power Steering Return
3	52088 918AE	1			EV0		HOSE, Power Steering Return
4	5205 254	1			EV0		O RING, Power Steering Hose
5	6502 017	2			EV0		CLAMP, Heater Hose
6	52088 916AB	1			EV0		HOSE, Power Steering Reservoir
7	2448 770	1			EV0		CLAMP, Hose

JEEP GRAND CHEROKEE (WJ)

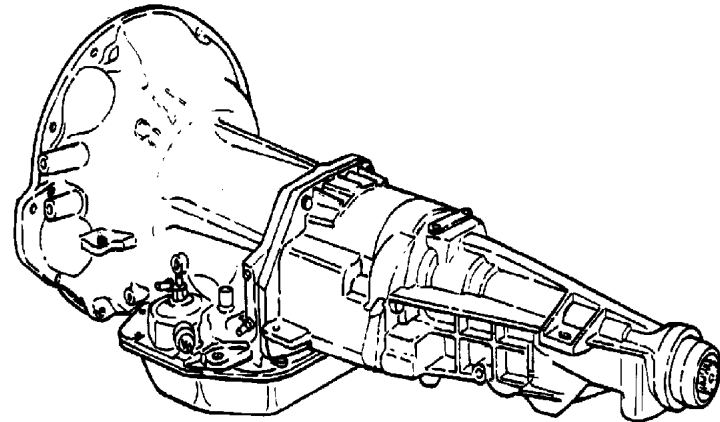
SERIES	LINE	BODY	ENGINE	TRANSMISSION
H = Laredo	J = 4WD	74 = 4 Door	ERH = 4.0L, Power Tech I-6	DGK = 4 Speed Autm, 42RE
M = Sport	T = 2WD		EVA = 4.7L, Power Tech V8	DGQ = 5 Speed Automatic, 45RFE
P = Limited			EVC = 4.7L HO V8 MPI	DG0 = All Automatic Transm
S = Overland			ERO = All 4.0L 6 Cyl Gas	
			EVO = All 4.7l Gas	

AR = Use as required - = Non illustrated part # = New this model year

May 1, 2002

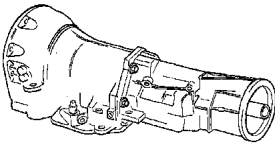
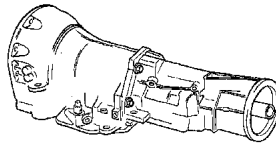

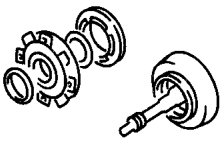
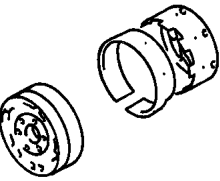
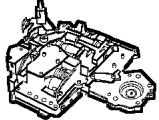
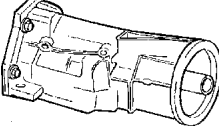
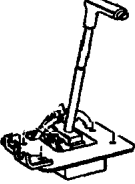
Group – 42RE

Automatic Transmission 4 Speed



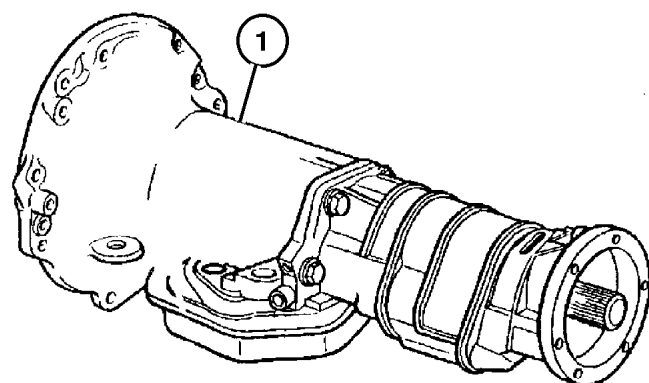
GROUP 42RE - Automatic Transmission 4 Speed

Illustration Title	Group-Fig. No.
Transmission Assembly	
Transmission [42RE] [DGK]	Fig. 42RE-110
Case and Extension	
Case and Related Parts [42RE] [DGK]	Fig. 42RE-210
Case Rear [42RE] [DGK]	Fig. 42RE-220
Oil Pump	
Oil Pump [42RE] [DGK]	Fig. 42RE-310
Gear Train	
Gear Train [42RE] [DGK]	Fig. 42RE-410
Gear Train and Intermediate Shaft [42RE] [DGK]	Fig. 42RE-420
Output Shaft [42RE] [DGK]	Fig. 42RE-430
Bands, Reverse and Kickdown	
Bands [42RE] [DGK]	Fig. 42RE-510
Valve Body	
Valve Body [42RE] [DGK]	Fig. 42RE-710
Servos [42RE] [DGK]	Fig. 42RE-720
Parking Sprag [42RE] [DGK]	Fig. 42RE-730
Overdrive Gear Train	
Overdrive Gear Train [42RE] [DGK]	Fig. 42RE-1010
Gearshift Controls	
Gearshift Controls [42RE] [DGK]	Fig. 42RE-1210

42RE-100 Transmission Assembly 	42RE-200 Case and Extension 	42RE-300 Oil Pump 	42RE-400 Gear Train 
42RE-500 Bands, Reverse and Kickdown 	42RE-700 Valve Body 	42RE-1000 Overdrive Gear Train 	42RE-1200 Gearshift Controls 

Transmission [42RE] [DGK]
Figure 42RE-110

ITEM	PART NUMBER	QTY	LINE	SERIES	ENGINE	TRANS	DESCRIPTION
NOTES: Sales Codes ake Shoe Return Spring Lower.							
[DGK] = 4 Speed Automatic Transmissions [42RE] ake Shoe Return Spring Lower.							
1							TRANSMISSION PACKAGE
	5015 273AA	1	T			DGK	
	5015 274AA	1	J			DGK	
-2							OVERDRIVE
	5211 8782	1	T			DGK	
	52118 783AB	1	J			DGK	

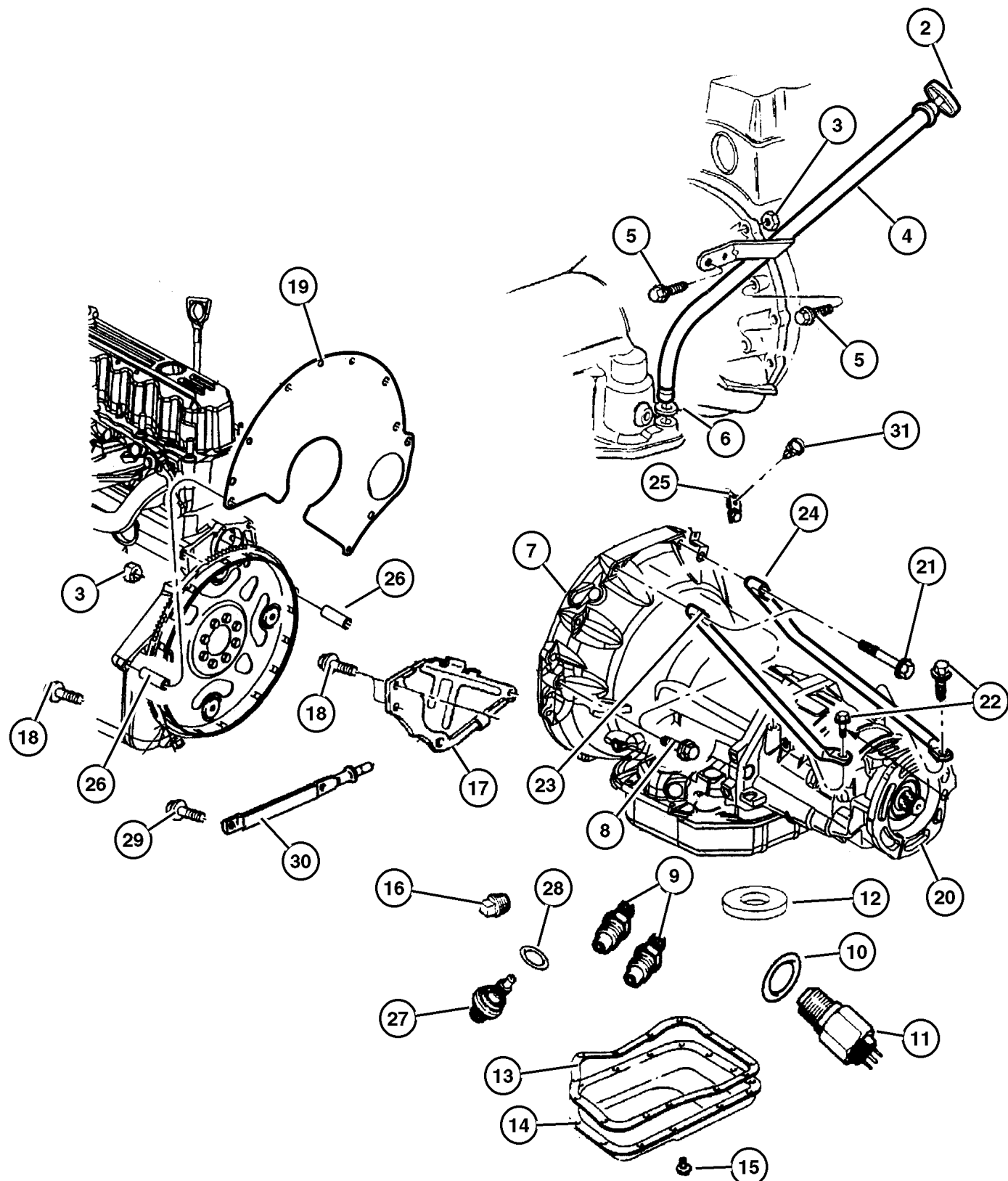


JEEP GRAND CHEROKEE (WJ)				
SERIES	LINE	BODY	ENGINE	TRANSMISSION
H = Laredo	J = 4WD	74 = 4 Door	ERH = 4.0L, Power Tech I-6	DGK = 4 Speed Autm, 42RE
M = Sport	T = 2WD		EVA = 4.7L, Power Tech V8	DGQ = 5 Speed Automatic, 45RFE
P = Limited			EVC = 4.7L HO V8 MPI	DG0 = All Automatic Transm
S = Overland			ERO = All 4.0L 6 Cyl Gas	
			EVO = All 4.7l Gas	

AR = Use as required - = Non illustrated part # = New this model year

May 1, 2002

Case and Related Parts [42RE] [DGK]
Figure 42RE-210



ITEM	PART NUMBER	QTY	LINE	SERIES	ENGINE	TRANS	DESCRIPTION
NOTES: Sales Codes ake Shoe Return Spring Lower.							
[DGK] = 4 Speed Automatic Transmissions [42RE] ake Shoe Return Spring Lower.							
[DG0] = All Automatic Transmissions ake Shoe Return Spring Lower.							
[ER0] = All 4.0L Gas Engines ake Shoe Return Spring Lower.							
-1							SEAL AND GASKET PACKAGE, Transmission
	4863 907AE	1	T			DGK	
		1	J			DGK	
2	52118 641AC	1			ER0	DG0	INDICATOR, Transmission Fluid Level
3	J021 9422	1				DGK	NUT, Hex
4	5210 4247	1				DGK	TUBE, Transmission Oil Filler
5	0153 371	1				DGK	BOLT, Hex Head, .375-16x2.25
6	52118 629AB	1			ER0	DG0	SEAL, Oil Filler Tube
7							CASE, Transmission
	5211 8291	1	T			DGK	
		1	J			DGK	
8	J400 4370	2			ER0	DG0	BOLT AND WASHER, Hex Head, .437-14x2.75
9							NUT, Inverted Flare, .62-18
	6033 879	2	T			DGK	
		2	J			DGK	
10							WASHER, Switch
	2408 143	1	T			DGK	
		1	J			DGK	
11							SWITCH, Neutral, Safety, Back Up
	3747 361	1	T			DGK	
		1	J			DGK	
12							MAGNET, Transmission
	3681 601	1	T			DGK	
		1	J			DGK	
13							GASKET, Oil Pan
	4295 875	1	T			DGK	
	4295 875AB	1	J			DGK	
14							PAN, Transmission Oil
	52118 779AB	1	T			DGK	
		1	J			DGK	
15							SCREW
	6036 330AA	14	T			DGK	
		14	J			DGK	
16							PLUG, Pressure Check
	6028 095	1	T			DGK	
		1	J			DGK	
17	52118 136AB	1			ER0	DG0	COVER, Converter
18							SCREW AND WASHER, Hex Head, .312-18x.625

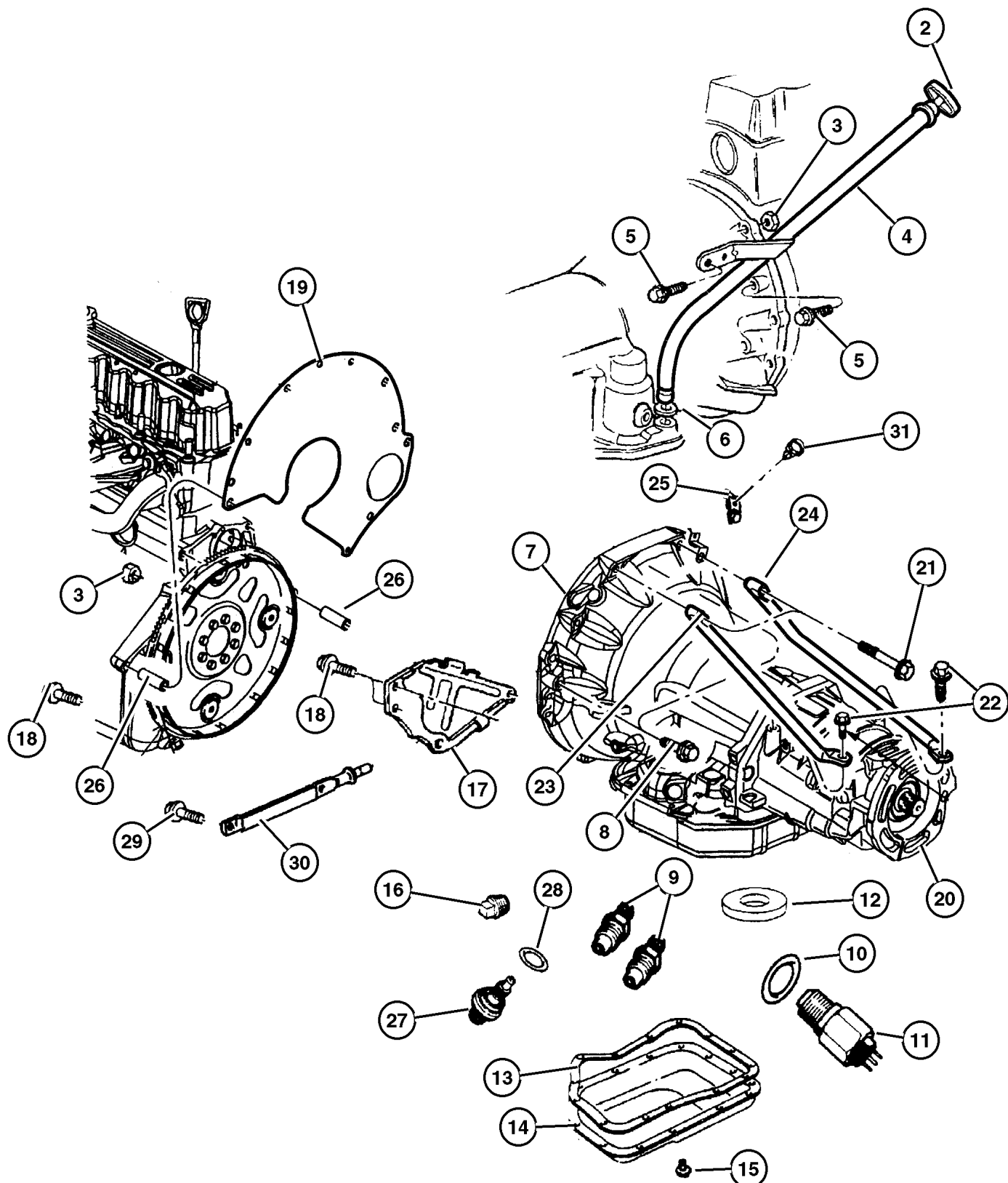
JEEP GRAND CHEROKEE (WJ)

SERIES	LINE	BODY	ENGINE	TRANSMISSION
H = Laredo	J = 4WD	74 = 4 Door	ERH = 4.0L, Power Tech I-6	DGK = 4 Speed Autm, 42RE
M = Sport	T = 2WD		EVA = 4.7L, Power Tech V8	DGQ = 5 Speed Automatic, 45RFE
P = Limited			EVC = 4.7L HO V8 MPI	DG0 = All Automatic Transm
S = Overland			ER0 = All 4.0L 6 Cyl Gas	
			EVO = All 4.7L Gas	

AR = Use as required - = Non illustrated part # = New this model year

May 1, 2002

Case and Related Parts [42RE] [DGK]
Figure 42RE-210



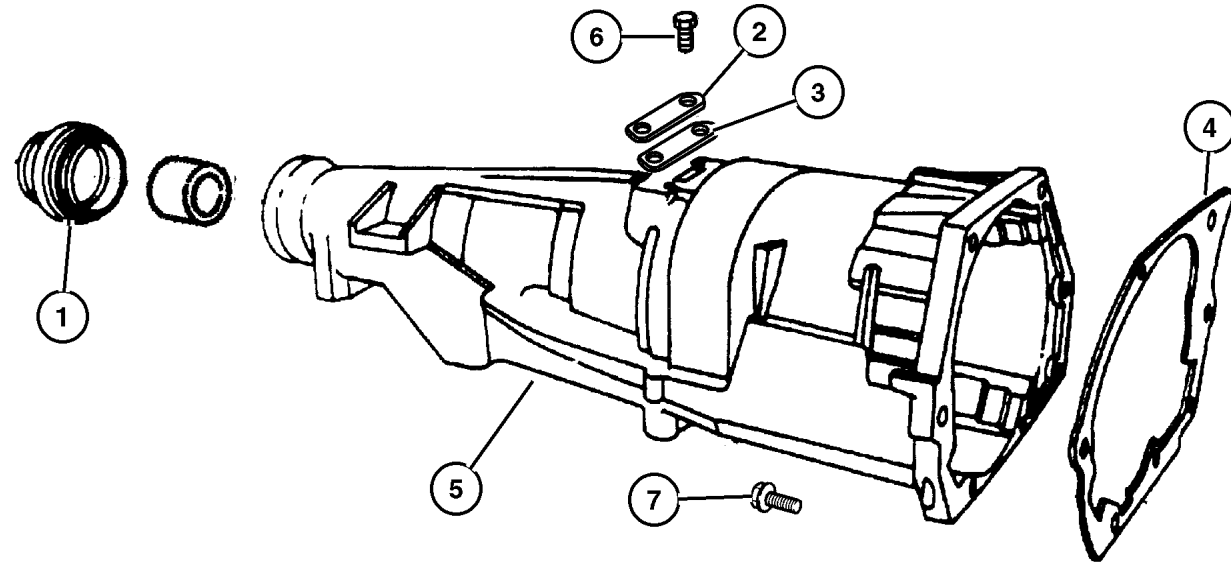
ITEM	PART NUMBER	QTY	LINE	SERIES	ENGINE	TRANS	DESCRIPTION
	4723 548	1	T			DGK	
		1	J			DGK	
19	J323 7847	1			ERO	DG0	SPACER, Clutch Housing
20	5012 428AA	1	J			DGK	ADAPTER, Transfer Case
21	6034 242	2	J		ERO	DG0	SCREW AND WASHER
22	6027 865	2	J		ERO	DG0	SCREW, .375-16x1.375
23	5210 4201	1	J		ERO	DG0	BRACE, Bending Transmission, Top Left
24	5210 4200	1	J		ERO	DG0	BRACE, Bending Transmission, Top Right
25							BRACKET, Tube, (NOT REQUIRED)
26	J400 5148	2			ERO		DOWEL, Transmission
27							SENSOR, Transmission Output Speed
	4412 879	1	T			DGK	
		1	J			DGK	
28							O RING, Trans Speed Sensor
	6501 701	1	T			DGK	
		1	J			DGK	
29	6034 498	2	J		ERO	DG0	SCREW AND WASHER, Hex Head, .312-18x1.25
30	52104 250AA	1	J		ERO	DG0	BRACE, Bell Housing
31							CLIP
	5211 8181	1	T			DGK	
		1	J			DGK	

JEEP GRAND CHEROKEE (WJ)
 SERIES LINE BODY ENGINE TRANSMISSION
 H = Laredo J = 4WD 74 = 4 Door ERH = 4.0L, Power Tech I-6 DGK = 4 Speed Autm, 42RE
 M = Sport T = 2WD EVA = 4.7L, Power Tech V8 DGQ = 5 Speed Automatic, 45RFE
 P = Limited EVC = 4.7L HO V8 MPI DG0 = All Automatic Transm
 S = Overland ERO = All 4.0L 6 Cyl Gas
 EVO = All 4.7L Gas

AR = Use as required - = Non illustrated part # = New this model year

May 1, 2002

Case Rear [42RE] [DGK]
Figure 42RE-220



ITEM	PART NUMBER	QTY	LINE	SERIES	ENGINE	TRANS	DESCRIPTION
NOTES: Sales Codes ake Shoe Return Spring Lower.							
[DGK] = 4 Speed Automatic Transmissions [42RE] ake Shoe Return Spring Lower.							
1	4531 216AB	1	T			DGK	SEAL, Extension Yoke
2	2466 957	1	T			DGK	COVER, Transmission Converter
3	2801 398	1	J			DGK	GASKET, Transmission
		1	T			DGK	
4	4471 564	1	T			DGK	GASKET, Overdrive Piston Retainer
		1	J			DGK	
5	5003 231AA	1	T			DGK	CASE, Transmission Rear
6							SCREW, (NOT SERVICED)
7	6036 046AA	7	T			DGK	SCREW, Hex Flange Head, .375-16x1.38
		7	J			DGK	

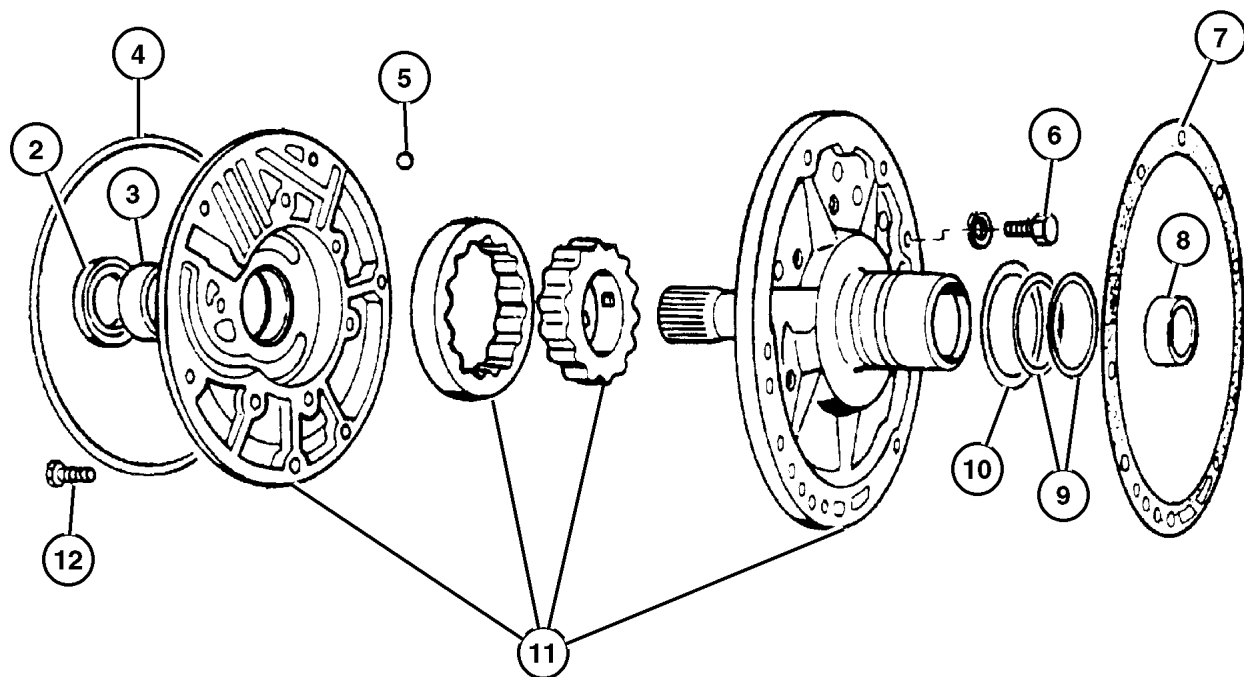
JEEP GRAND CHEROKEE (WJ)				
SERIES	LINE	BODY	ENGINE	TRANSMISSION
H = Laredo	J = 4WD	74 = 4 Door	ERH = 4.0L, Power Tech I-6	DGK = 4 Speed Autm, 42RE
M = Sport	T = 2WD		EVA = 4.7L, Power Tech V8	DGQ = 5 Speed Automatic, 45RFE
P = Limited			EVC = 4.7L HO V8 MPI	DG0 = All Automatic Transm
S = Overland			ERO = All 4.0L 6 Cyl Gas	
			EVO = All 4.7l Gas	

AR = Use as required - = Non illustrated part # = New this model year

May 1, 2002

**Oil Pump [42RE] [DGK]
Figure 42RE-310**

ITEM	PART NUMBER	QTY	LINE	SERIES	ENGINE	TRANS	DESCRIPTION
-1							GASKET AND SEAL PACKAGE, Transmission Oil Pump
	4713 108AB	1	T			DGK	
		1	J			DGK	
2							SEAL, Impeller Hub, 57.25mm OD
	4412 475	1	T			DGK	
		1	J			DGK	
3							BUSHING, Front Pump
	2466 796	1	T			DGK	
		1	J			DGK	
4							SEAL, Front Pump Housing
	2204 709	1	T			DGK	
		1	J			DGK	
5							BALL, Valve Body Check
	0104 918	1	T			DGK	
		1	J			DGK	
6							SCREW, Hex Head, .312-18x.687
	0179 815	6	T			DGK	
		6	J			DGK	
7							GASKET, Transmission Oil Pump
	5211 8266	1	T			DGK	
		1	J			DGK	
8							BUSHING, Reaction Shaft
	4058 635	1	T			DGK	
		1	J			DGK	
9							SEAL, Ring Reaction Support, 2 1/16 O.D.
	4471 874	2	T			DGK	
		2	J			DGK	
10							THRUST WASHER, Front Clutch
	4617 786	1	T			DGK	
		1	J			DGK	
11							PUMP, Transmission Oil
	4778 552AB	1	T			DGK	
		1	J			DGK	
12							SCREW AND WASHER, Hex Flange Head, .312-18x1.375
	6023 943	6	T			DGK	
		6	J			DGK	



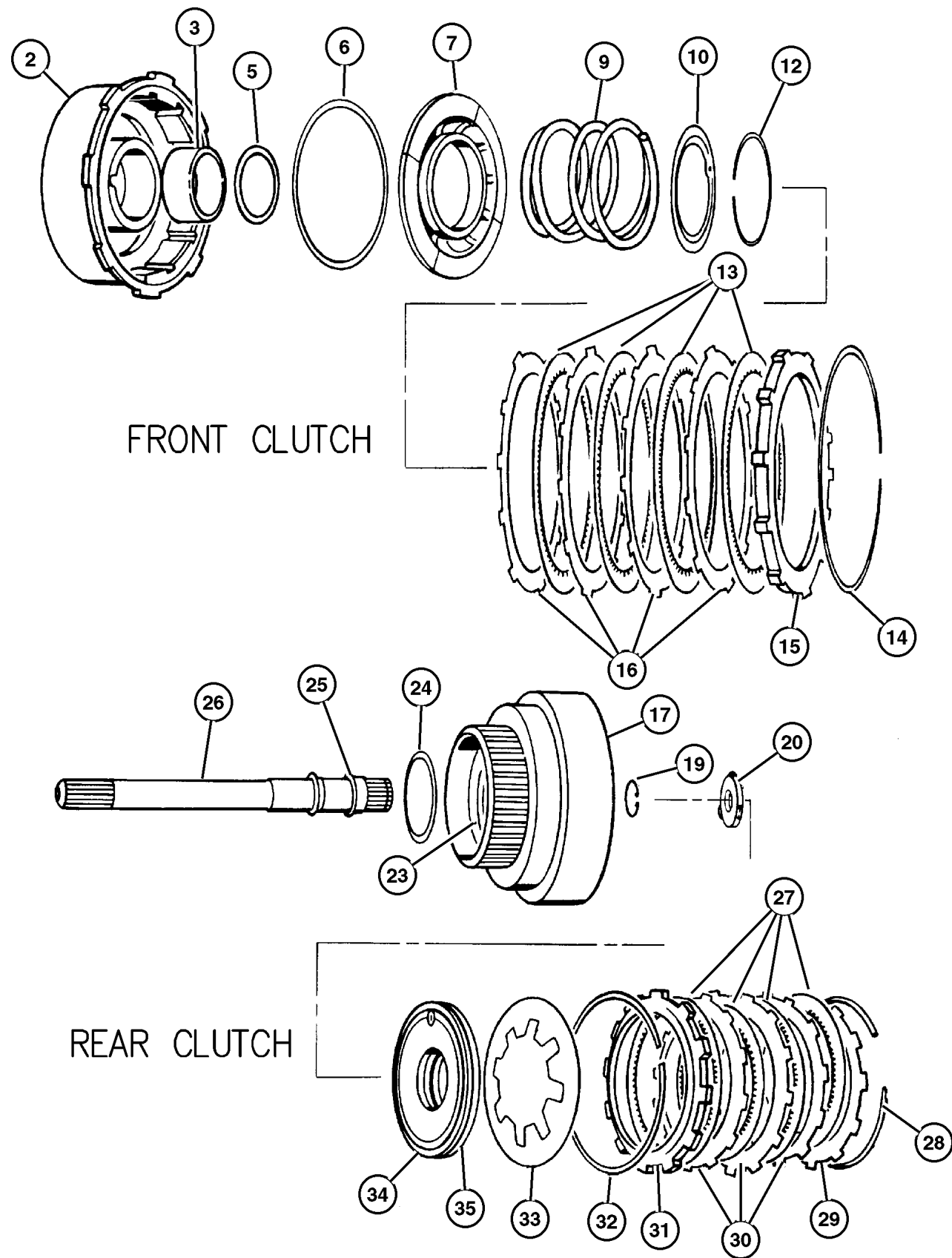
JEEP GRAND CHEROKEE (WJ)

SERIES	LINE	BODY	ENGINE	TRANSMISSION
H = Laredo	J = 4WD	74 = 4 Door	ERH = 4.0L, Power Tech I-6	DGK = 4 Speed Autm, 42RE
M = Sport	T = 2WD		EVA = 4.7L, Power Tech V8	DGQ = 5 Speed Automatic, 45RFE
P = Limited			EVC = 4.7L HO V8 MPI	DG0 = All Automatic Transm
S = Overland			ERO = All 4.0L 6 Cyl Gas	
			EVO = All 4.7l Gas	

AR = Use as required - = Non illustrated part # = New this model year

May 1, 2002

**Gear Train [42RE] [DGK]
Figure 42RE-410**



ITEM	PART NUMBER	QTY	LINE	SERIES	ENGINE	TRANS	DESCRIPTION
-1							SEAL PACKAGE, Transmission Clutch
	5252 926AB	1	T			DGK	
		1	J			DGK	
2							RETAINER AND BUSHING, Transmission Front Clutch
	4531 285AB	1	T			DGK	
		1	J			DGK	
3							BUSHING, Front Clutch
	4617 157	1	T			DGK	
		1	J			DGK	
-4							BUSHING, Rear Clutch
	4617 159	1	T			DGK	
		1	J			DGK	
5							SEAL, Front Clutch Piston
	3515 176	1	T			DGK	
		1	J			DGK	
6							SEAL, Front Piston Clutch
	4058 487AB	1	T			DGK	
		1	J			DGK	
7							PISTON, Clutch
	4617 154AB	1	J			DGK	
		1	T			DGK	
-8							CHECK BALL, Dia-.187
	0147 483	1	T			DGK	
		1	J			DGK	
9							SPRING, Front Clutch
	3515 054	1	T			DGK	
		1	J			DGK	
10							RETAINER, Transmission Front Clutch Piston Spring
	4617 516AC	1	T			DGK	
		1	J			DGK	
-11							CHECK BALL, Dia-.187
	0147 483	1	T			DGK	
		1	J			DGK	
12							SNAP RING
	3410 571	1	T			DGK	
		1	J			DGK	
13							DISC, Direct Clutch
	4617 362	4	T			DGK	
		4	J			DGK	
14							SNAP RING

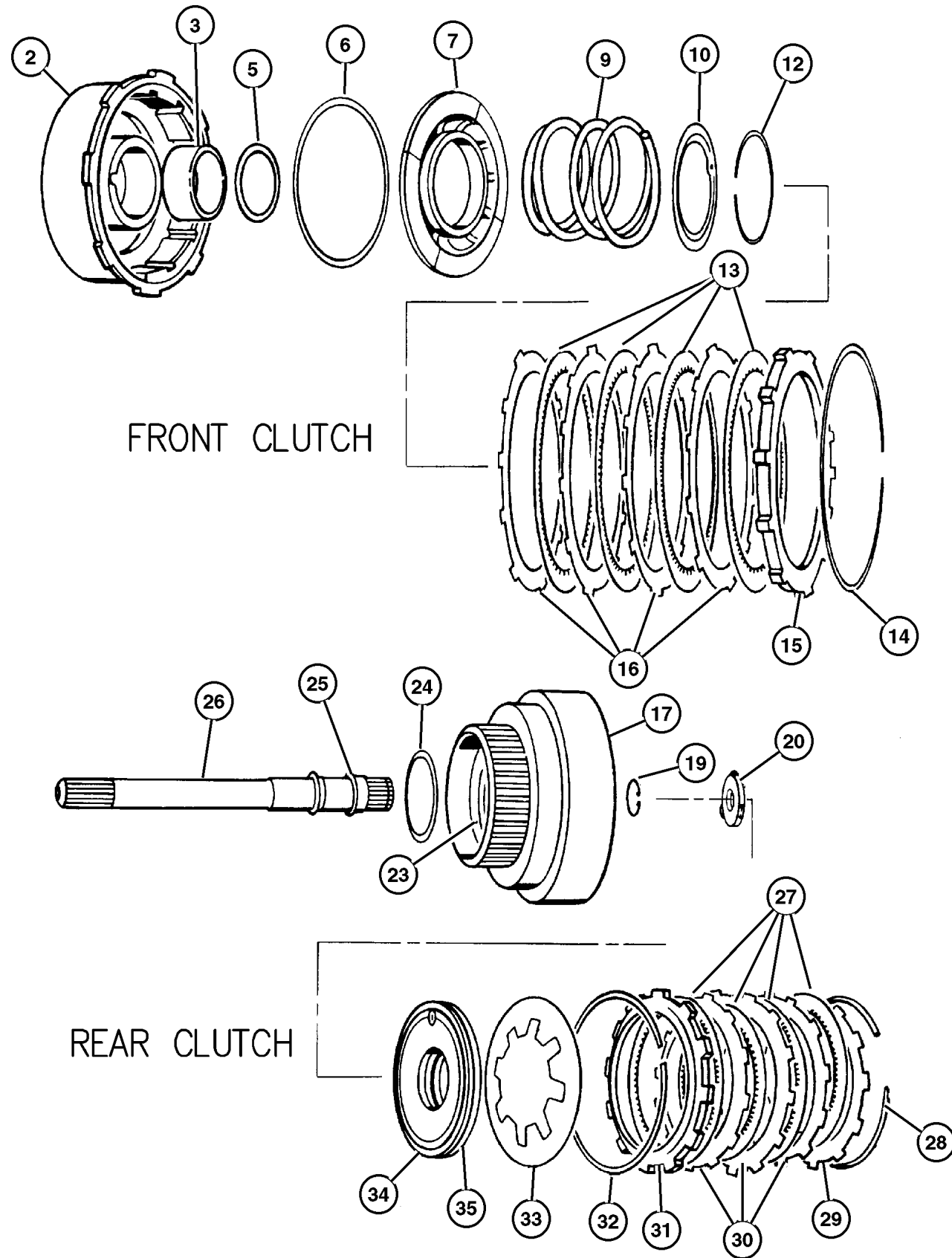
JEEP GRAND CHEROKEE (WJ)

SERIES	LINE	BODY	ENGINE	TRANSMISSION
H = Laredo	J = 4WD	74 = 4 Door	ERH = 4.0L, Power Tech I-6	DGK = 4 Speed Autm, 42RE
M = Sport	T = 2WD		EVA = 4.7L, Power Tech V8	DGQ = 5 Speed Automatic, 45RFE
P = Limited			EVC = 4.7L HO V8 MPI	DG0 = All Automatic Transm
S = Overland			ERO = All 4.0L 6 Cyl Gas	
			EVO = All 4.7l Gas	

AR = Use as required - = Non illustrated part # = New this model year

May 1, 2002

**Gear Train [42RE] [DGK]
Figure 42RE-410**



ITEM	PART NUMBER	QTY	LINE	SERIES	ENGINE	TRANS	DESCRIPTION
	3410 571	1	T			DGK	
		1	J			DGK	
15	4617 176AB	1	T			DGK	PLATE, Transmission Clutch Reaction
		1	J			DGK	
16	1942 403AB	3	T			DGK	PLATE, Clutch Separator
		3	J			DGK	
17							RETAINER, Transmission Rear Clutch
	4505 199	1	T			DGK	
	2464 463	1	J			DGK	
-18							CHECK BALL, Dia-.187
	0147 483	1	T			DGK	
		1	J			DGK	
19	6022 859	1	T			DGK	SNAP RING, .890625
		1	J			DGK	
20							THRUST WASHER, Output Shaft, Gray .052
	4505 185	1	T			DGK	
		1	J			DGK	
-21							THRUST WASHER, Output Shaft, Red .068
	4505 186	1	T			DGK	
		1	J			DGK	
-22							THRUST WASHER, Output Shaft, Green .083
	4505 187	1	T			DGK	
		1	J			DGK	
23							SEAL, Rear Clutch Retainer
	4617 063	1	T			DGK	
		1	J			DGK	
24							THRUST WASHER, Front Clutch
	4617 786	1	T			DGK	
		1	J			DGK	
25							SEAL, Input Shaft
	1401 221AB	1	T			DGK	
		1	J			DGK	
26							INPUT SHAFT, Transmission
	4505 189	1	T			DGK	
		1	J			DGK	
27							DISC, Clutch
	4713 880	4	T			DGK	
		4	J			DGK	
28							SNAP RING

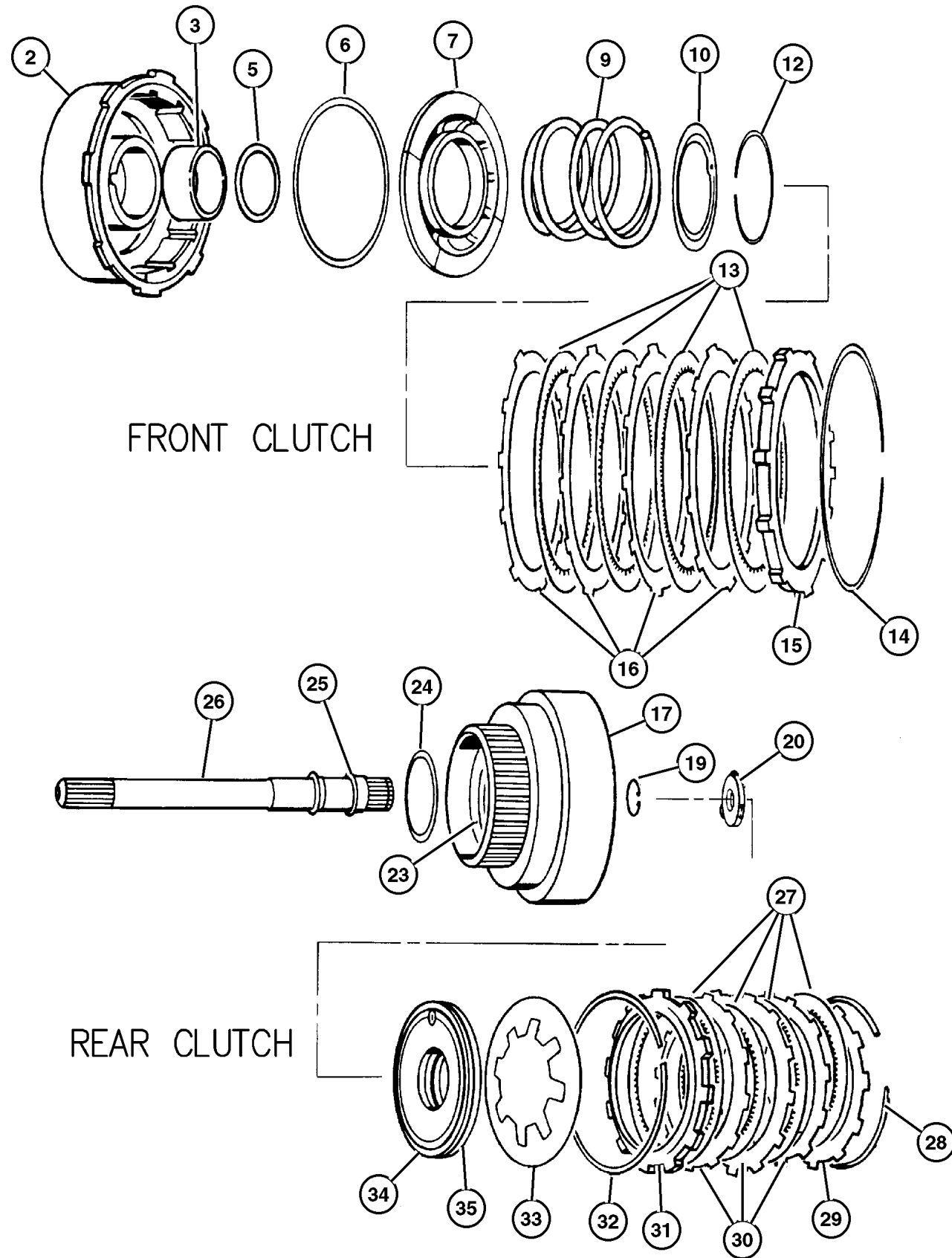
JEEP GRAND CHEROKEE (WJ)

SERIES	LINE	BODY	ENGINE	TRANSMISSION
H = Laredo	J = 4WD	74 = 4 Door	ERH = 4.0L, Power Tech I-6	DGK = 4 Speed Autm, 42RE
M = Sport	T = 2WD		EVA = 4.7L, Power Tech V8	DGQ = 5 Speed Automatic, 45RFE
P = Limited			EVC = 4.7L HO V8 MPI	DG0 = All Automatic Transm
S = Overland			ERO = All 4.0L 6 Cyl Gas	
			EVO = All 4.7l Gas	

AR = Use as required - = Non illustrated part # = New this model year

May 1, 2002

**Gear Train [42RE] [DGK]
Figure 42RE-410**



ITEM	PART NUMBER	QTY	LINE	SERIES	ENGINE	TRANS	DESCRIPTION
	4130 761	1	T			DGK	
		1	J			DGK	
29	4617 176AB	1	T			DGK	PLATE, Transmission Clutch Reaction
		1	J			DGK	
30	1942 403AB	3	T			DGK	PLATE, Clutch Separator
		3	J			DGK	
31							PLATE, Clutch Pressure
	2466 281	1	T			DGK	
		1	J			DGK	
32							SPRING, Rear Clutch
	2466 283	1	T			DGK	
		1	J			DGK	
33							SPRING, Rear Clutch Piston
	4728 487	1	T			DGK	
		1	J			DGK	
34							SEAL, Rear Clutch Piston
	2538 695	1	T			DGK	
		1	J			DGK	
35							PISTON, Clutch
	3515 716	1	T			DGK	
		1	J			DGK	

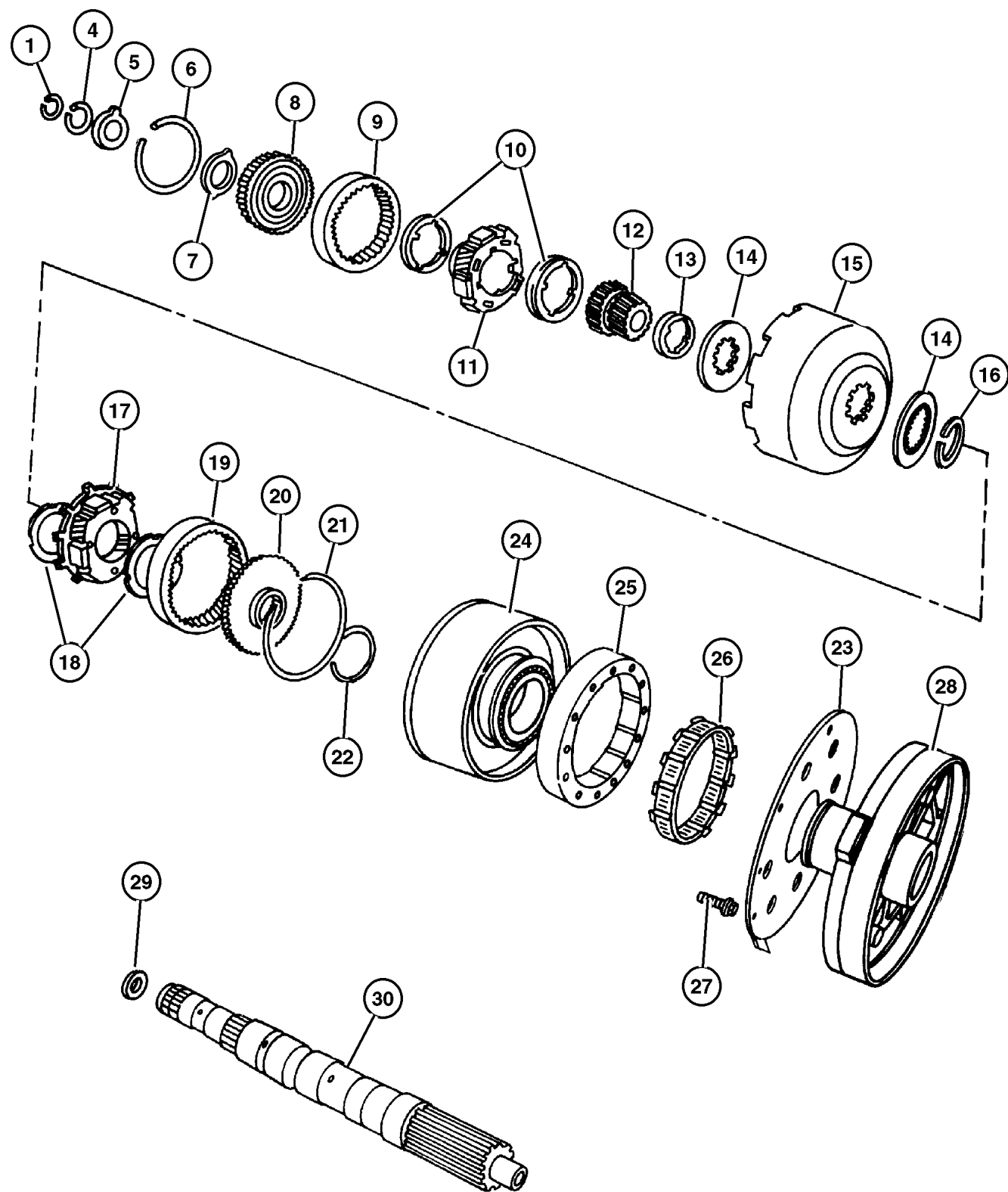
JEEP GRAND CHEROKEE (WJ)

SERIES	LINE	BODY	ENGINE	TRANSMISSION
H = Laredo	J = 4WD	74 = 4 Door	ERH = 4.0L, Power Tech I-6	DGK = 4 Speed Autm, 42RE
M = Sport	T = 2WD		EVA = 4.7L, Power Tech V8	DGQ = 5 Speed Automatic, 45RFE
P = Limited			EVC = 4.7L HO V8 MPI	DG0 = All Automatic Transm
S = Overland			ERO = All 4.0L 6 Cyl Gas	
			EVO = All 4.7l Gas	

AR = Use as required - = Non illustrated part # = New this model year

May 1, 2002

**Gear Train and Intermediate Shaft [42RE] [DGK]
Figure 42RE-420**



ITEM	PART NUMBER	QTY	LINE	SERIES	ENGINE	TRANS	DESCRIPTION
1							SNAP RING, .946 ID
	6026 289	1	T			DGK	
		1	J			DGK	
-2							SNAP RING
	6030 938	1	T			DGK	
		1	J			DGK	
-3							SNAP RING, Output Shaft, 1.029 OD
	6030 404	1	T			DGK	
		1	J			DGK	
4							SNAP RING, Annulus Gear, 1.375 ID
	6030 576	1	T			DGK	
		1	J			DGK	
5							THRUST WASHER, Annulus Gear
	3681 969	1	T			DGK	
		1	J			DGK	
6							SNAP RING
	6030 938	1	T			DGK	
		1	J			DGK	
7							PLATE, Annulus Gear Thrust
	4617 775	1	T			DGK	
		1	J			DGK	
8							SUPPORT, Annulus Gear
	4617 774	1	T			DGK	
	2892 477	1	J			DGK	
9							GEAR, Front Annulus
	4130 512	1	T			DGK	
		1	J			DGK	
10							THRUST WASHER, Planetary Carrier
	4130 518	2	T			DGK	
		2	J			DGK	
11							CARRIER, Planetary Pinion
	4130 514	1	T			DGK	
		1	J			DGK	
12							GEAR, Sun
	4130 685	1	T			DGK	
		1	J			DGK	
13							SPACER, Sun Gear
	4130 736	1	T			DGK	
		1	J			DGK	
14							PLATE, Transmission Module
	4471 566	2	T			DGK	

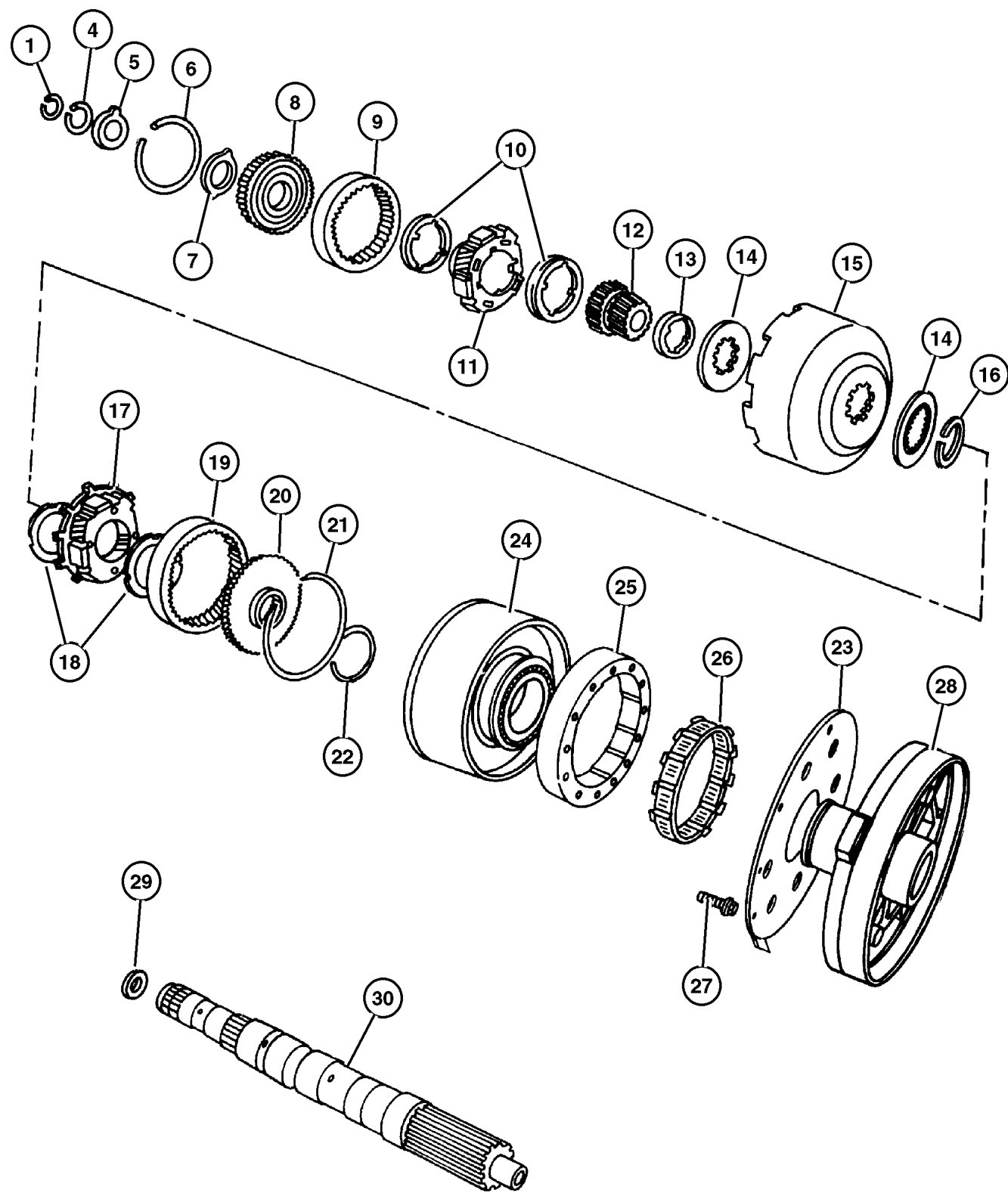
JEEP GRAND CHEROKEE (WJ)

SERIES	LINE	BODY	ENGINE	TRANSMISSION
H = Laredo	J = 4WD	74 = 4 Door	ERH = 4.0L, Power Tech I-6	DGK = 4 Speed Autm, 42RE
M = Sport	T = 2WD		EVA = 4.7L, Power Tech V8	DGQ = 5 Speed Automatic, 45RFE
P = Limited			EVC = 4.7L HO V8 MPI	DG0 = All Automatic Transm
S = Overland			ERO = All 4.0L 6 Cyl Gas	
			EVO = All 4.7L Gas	

AR = Use as required - = Non illustrated part # = New this model year

May 1, 2002

**Gear Train and Intermediate Shaft [42RE] [DGK]
Figure 42RE-420**



ITEM	PART NUMBER	QTY	LINE	SERIES	ENGINE	TRANS	DESCRIPTION
		2	J			DGK	
15	4531 288	1	T			DGK	SHELL, Sun Gear
		1	J			DGK	
16	1942 439	1	T			DGK	SNAP RING, Sun Gear Shell
		1	J			DGK	
17	4431 438	1	T			DGK	CARRIER, Planetary Pinion
		1	J			DGK	
18	3681 935	1	T			DGK	THRUST WASHER, Planetary Carrier
		1	J			DGK	
19	3743 184	1	T			DGK	GEAR, Rear Annulus
		1	J			DGK	
20	3515 501	1	T			DGK	SUPPORT, Annulus Gear
		1	J			DGK	
21	1942 444	1	T			DGK	SNAP RING
		1	J			DGK	
22	6033 480	1	T			DGK	SNAP RING, Reverse Drum
		1	J			DGK	
23	4471 564	1	T			DGK	GASKET, Overdrive Piston Retainer
		1	J			DGK	
24	4637 956	1	T			DGK	DRUM PACKAGE, Transmission
		1	J			DGK	
25	4431 690	1	T			DGK	CAM, Overrunning Clutch
		1	J			DGK	
26	4431 432	1	T			DGK	CLUTCH, Overrunning
		1	J			DGK	
27	6033 616	5	T			DGK	SCREW, Hex Flange Head, .25-28x.875
		5	J			DGK	
28							RETAINER, Transmission Overdrive Clutch Piston

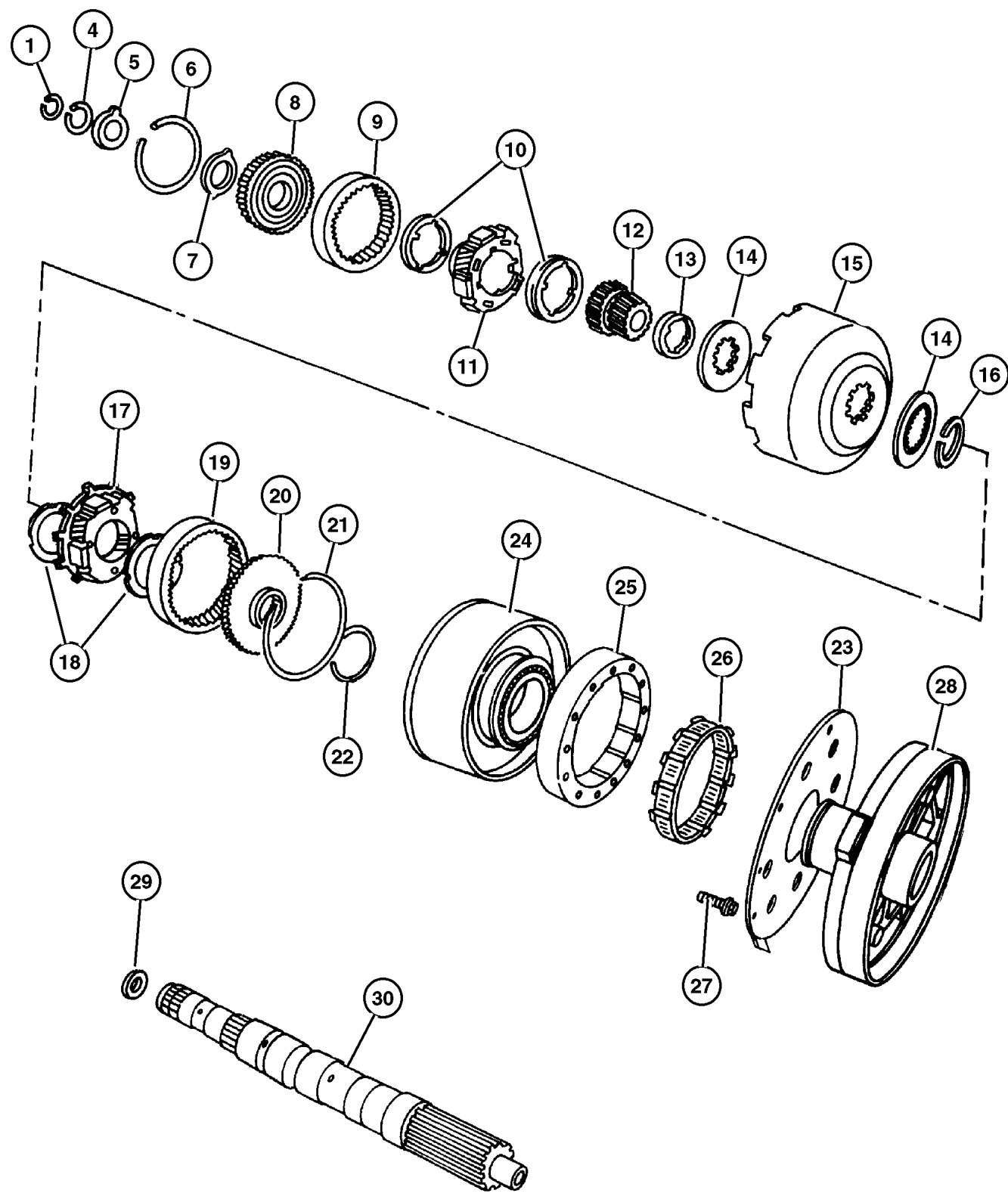
JEEP GRAND CHEROKEE (WJ)

SERIES	LINE	BODY	ENGINE	TRANSMISSION
H = Laredo	J = 4WD	74 = 4 Door	ERH = 4.0L, Power Tech I-6	DGK = 4 Speed Autm, 42RE
M = Sport	T = 2WD		EVA = 4.7L, Power Tech V8	DGQ = 5 Speed Automatic, 45RFE
P = Limited			EVC = 4.7L HO V8 MPI	DG0 = All Automatic Transm
S = Overland			ERO = All 4.0L 6 Cyl Gas	
			EVO = All 4.7L Gas	

AR = Use as required - = Non illustrated part # = New this model year

May 1, 2002

**Gear Train and Intermediate Shaft [42RE] [DGK]
Figure 42RE-420**



ITEM	PART NUMBER	QTY	LINE	SERIES	ENGINE	TRANS	DESCRIPTION
	4617 246	1	T			DGK	
		1	J			DGK	
29	4471 566	2	T			DGK	PLATE, Transmission Module
		2	J			DGK	
30	4617 604	1	T			DGK	INTERMEDIATE SHAFT, Transmission
		1	J			DGK	

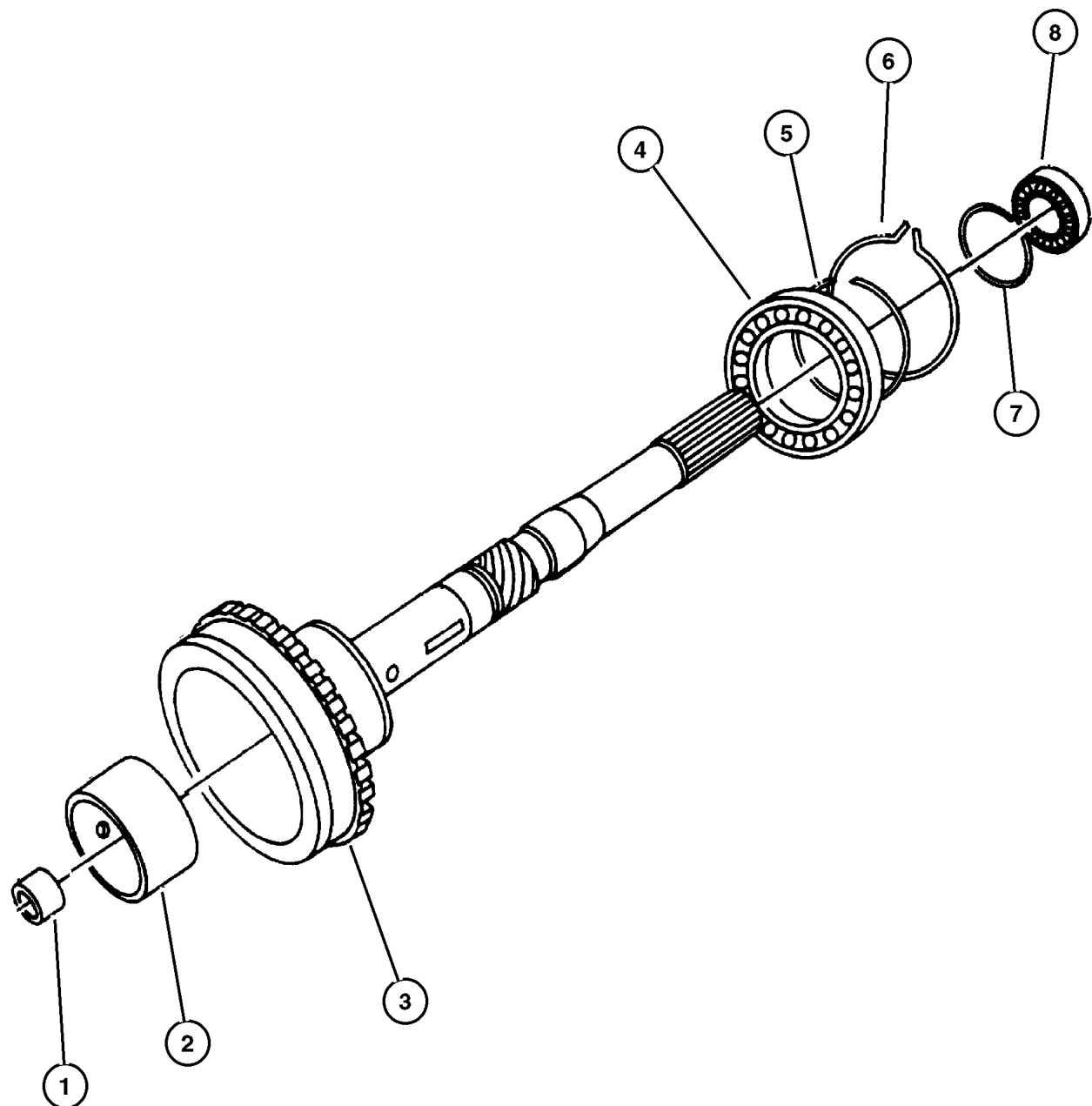
JEEP GRAND CHEROKEE (WJ)

SERIES	LINE	BODY	ENGINE	TRANSMISSION
H = Laredo	J = 4WD	74 = 4 Door	ERH = 4.0L, Power Tech I-6	DGK = 4 Speed Autm, 42RE
M = Sport	T = 2WD		EVA = 4.7L, Power Tech V8	DGQ = 5 Speed Automatic, 45RFE
P = Limited			EVC = 4.7L HO V8 MPI	DG0 = All Automatic Transm
S = Overland			ERO = All 4.0L 6 Cyl Gas	
			EVO = All 4.7I Gas	

AR = Use as required - = Non illustrated part # = New this model year

Output Shaft [42RE] [DGK]
Figure 42RE-430

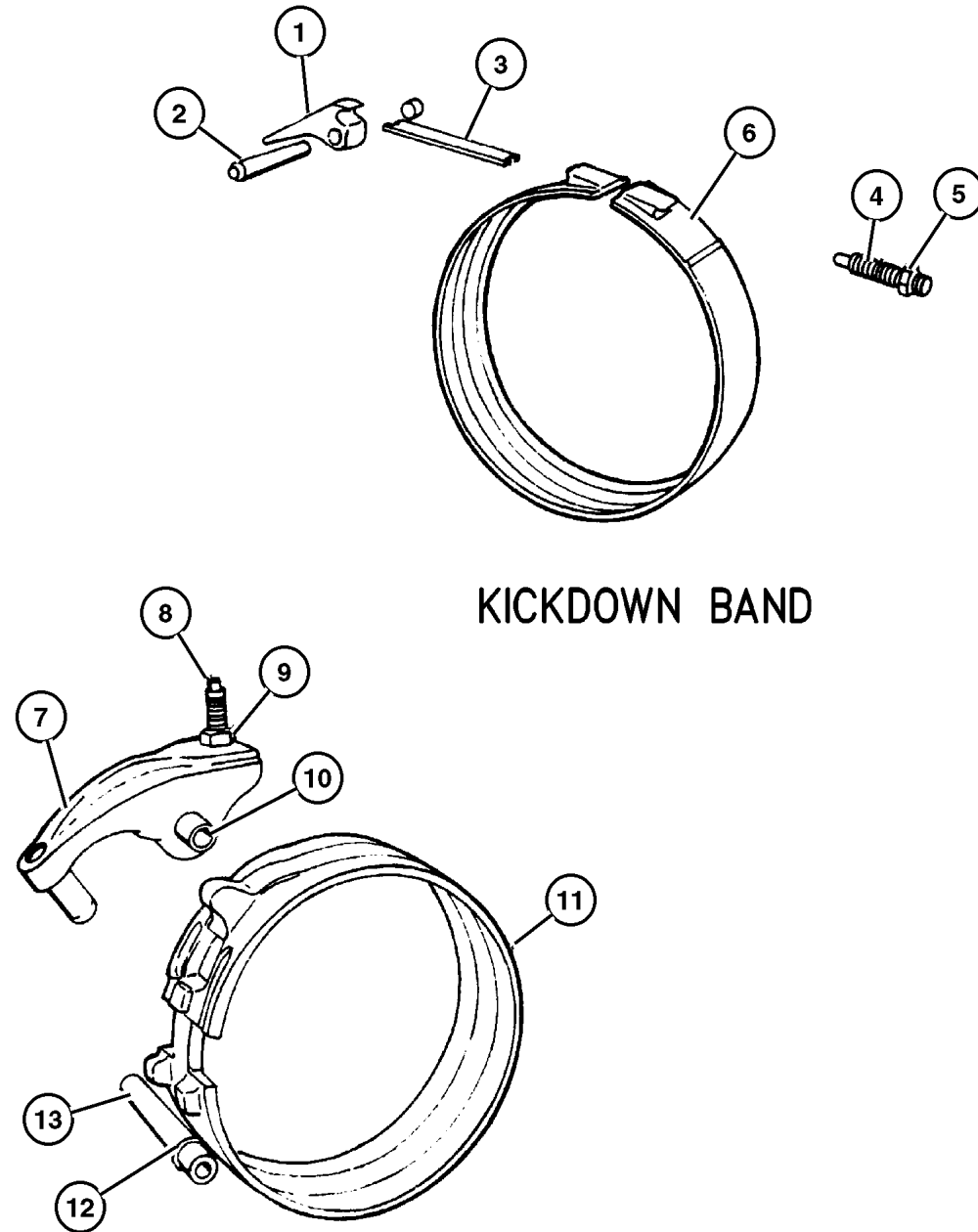
ITEM	PART NUMBER	QTY	LINE	SERIES	ENGINE	TRANS	DESCRIPTION
1							BUSHING, (NOT SERVICED)
2							BUSHING, (NOT SERVICED)
3							SHAFT, Output
	5003 232AA	1	T			DGK	
	4798 536	1	J			DGK	
4							BEARING, Output Shaft
	4461 008	1	T			DGK	
		1	J			DGK	
5							SNAP RING, .946 ID
	6026 289	1	T			DGK	
		1	J			DGK	
6							SNAP RING, Output Shaft, 1.029 OD
	6030 404	1	T			DGK	
		1	J			DGK	
7							SNAP RING
	6030 938	1	T			DGK	
		1	J			DGK	
8							BEARING, Output Shaft
	4461 008	1	T			DGK	
		1	J			DGK	



JEEP GRAND CHEROKEE (WJ)				
SERIES	LINE	BODY	ENGINE	TRANSMISSION
H = Laredo	J = 4WD	74 = 4 Door	ERH = 4.0L, Power Tech I-6	DGK = 4 Speed Autm, 42RE
M = Sport	T = 2WD		EVA = 4.7L, Power Tech V8	DGQ = 5 Speed Automatic, 45RFE
P = Limited			EVC = 4.7L HO V8 MPI	DG0 = All Automatic Transm
S = Overland			ERO = All 4.0L 6 Cyl Gas	
			EVO = All 4.7l Gas	

AR = Use as required - = Non illustrated part # = New this model year May 1, 2002

Bands [42RE] [DGK]
Figure 42RE-510



KICKDOWN BAND

DOUBLE WRAP REVERSE BAND

ITEM	PART NUMBER	QTY	LINE	SERIES	ENGINE	TRANS	DESCRIPTION
1							LEVER, Kickdown
	5211 8264	1	T			DGK	
		1	J			DGK	
2							SHAFT, Band Lever
	4531 181	1	T			DGK	
		1	J			DGK	
3							STRUT, Kickdown Band
	3515 084	1	T			DGK	
		1	J			DGK	
4							SCREW
	6036 141AA	1	T			DGK	
		1	J			DGK	
5							NUT, Hex Jam, .50-20
	0124 934	1	T			DGK	
		1	J			DGK	
6							BAND, Kickdown
	4617 849	1	T			DGK	
		1	J			DGK	
7							LEVER, Reverse Band
	4202 764AB	1	T			DGK	
		1	J			DGK	
8							SCREW, Trans Reverse Band Adjusting, .375-24-1.88
	2538 472	1	T			DGK	
		1	J			DGK	
9							NUT, Hex, .375-24
	0114 942	1	T			DGK	
10							SHAFT, Reverse Band
	3410 102	1	T			DGK	
		1	J			DGK	
11							BAND, Reverse
	4431 406	1	T			DGK	
		1	J			DGK	
12							O RING, Steering Gear
	6030 657	1	T			DGK	
		1	J			DGK	
13							SHAFT, Reverse Band
	3410 102	1	T			DGK	
		1	J			DGK	

JEEP GRAND CHEROKEE (WJ)

SERIES	LINE	BODY	ENGINE	TRANSMISSION
H = Laredo	J = 4WD	74 = 4 Door	ERH = 4.0L, Power Tech I-6	DGK = 4 Speed Autm, 42RE
M = Sport	T = 2WD		EVA = 4.7L, Power Tech V8	DGQ = 5 Speed Automatic, 45RFE
P = Limited			EVC = 4.7L HO V8 MPI	DG0 = All Automatic Transm
S = Overland			ERO = All 4.0L 6 Cyl Gas	
			EVO = All 4.7l Gas	

AR = Use as required - = Non illustrated part # = New this model year

May 1, 2002

Valve Body [42RE] [DGK]
Figure 42RE-710

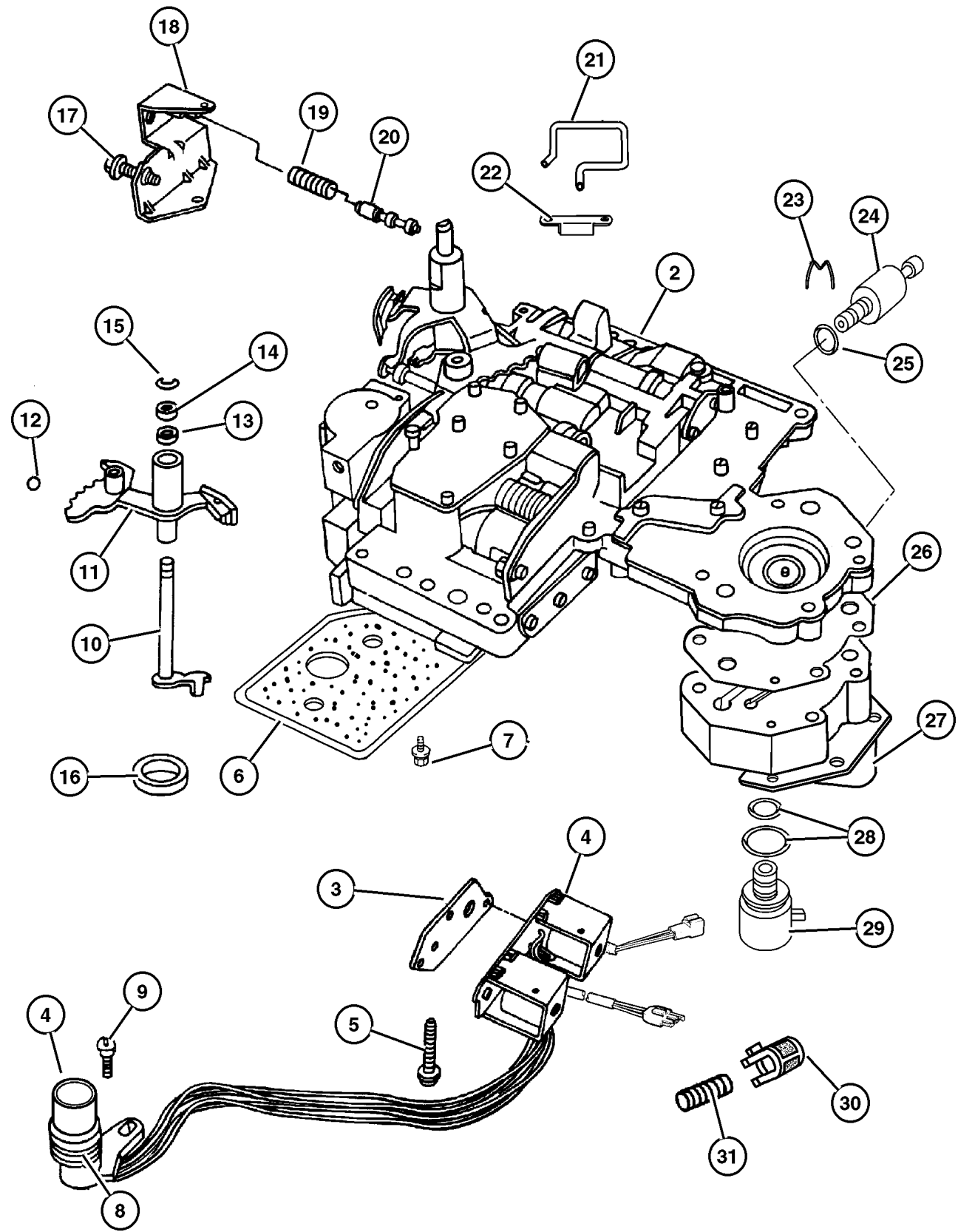
ITEM	PART NUMBER	QTY	LINE	SERIES	ENGINE	TRANS	DESCRIPTION
-1							SEAL AND GASKET PACKAGE, Valve Body and Servo
	5072 413AA	1	T			DGK	
		1	J			DGK	
2							BODY, Transfer Plate
	52119 633AB	1	T			DGK	
		1	J			DGK	
3							GASKET, Transmission Solenoid
	4617 216	1	T			DGK	
		1	J			DGK	
4							SOLENOID, Transmission Overdrive
	52118 500AB	1	T			DGK	
		1	J			DGK	
5							BOLT, Valve Body, .25-20x1.75
	0181 071	3	T			DGK	
		3	J			DGK	
6							FILTER, Valve Body
	5211 8789	1	T			DGK	
		1	J			DGK	
7							SCREW AND WASHER, Oil Filter Mounting, Fillester Head .190-24x2.500
	6033 826	3	T			DGK	
		3	J			DGK	
8							O RING, Solenoid Wiring, Transmission
	6034 748	1	T			DGK	
		1	J			DGK	
9							SCREW, Tapping, .19-24x.75
	6033 985	1	T			DGK	
		1	J			DGK	
10							LEVER, Throttle Valve
	3681 227	1	T			DGK	
		1	J			DGK	
11							LEVER, Manual Valve
	4617 437	1	T			DGK	
		1	J			DGK	
12							BALL, Manual Lever Detent, .343 Diameter
	0147 488	1	T			DGK	
		1	J			DGK	
13							SEAL, Valve Lever Shift
	2466 548	1	T			DGK	
		1	J			DGK	
14							WASHER, Manual Valve Lever

JEEP GRAND CHEROKEE (WJ)

SERIES	LINE	BODY	ENGINE	TRANSMISSION
H = Laredo	J = 4WD	74 = 4 Door	ERH = 4.0L, Power Tech I-6	DGK = 4 Speed Autm, 42RE
M = Sport	T = 2WD		EVA = 4.7L, Power Tech V8	DGQ = 5 Speed Automatic, 45RFE
P = Limited			EVC = 4.7L HO V8 MPI	DG0 = All Automatic Transm
S = Overland			ERO = All 4.0L 6 Cyl Gas	
			EVO = All 4.7I Gas	

AR = Use as required - = Non illustrated part # = New this model year

May 1, 2002



Valve Body [42RE] [DGK]
Figure 42RE-710

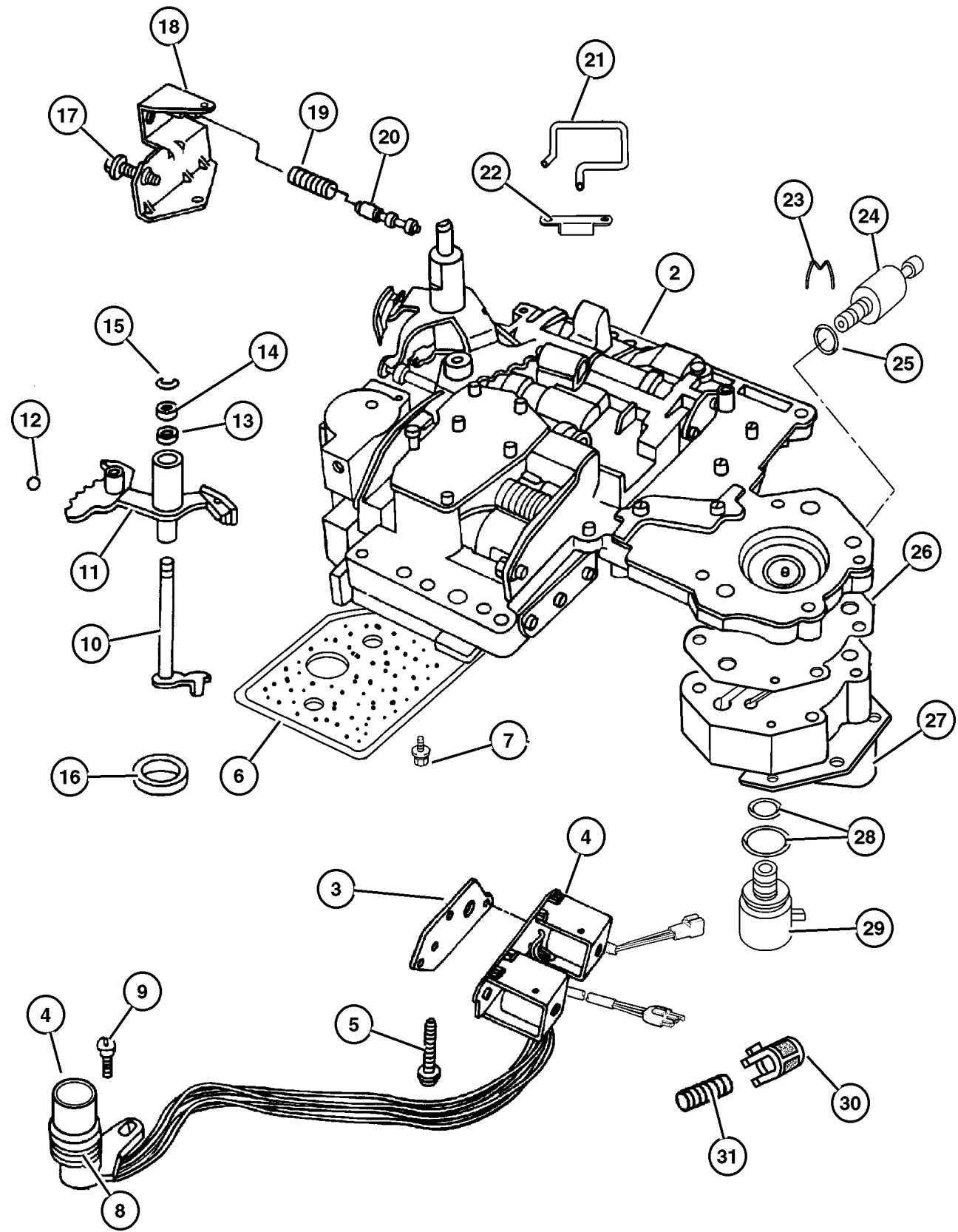
ITEM	PART NUMBER	QTY	LINE	SERIES	ENGINE	TRANS	DESCRIPTION
	2538 062	1	T			DGK	
		1	J			DGK	
15	6035 208	2	T			DGK	SNAP RING
		2	J			DGK	
16	4505 098	1	T			DGK	SEAL, Manual Shift Valve, 1.25 OD
		1	J			DGK	
17							SCREW, Cap Head Lock, .312-24x1.25
	6030 609	1	T			DGK	
		1	J			DGK	
18							BRACKET, Valve Body Switch
	4617 010	1	T			DGK	
		1	J			DGK	
19							SPRING, Switch Valve
	4130 492	1	T			DGK	
		1	J			DGK	
20							VALVE, Trans Lockup Switch
	4505 036	1	T			DGK	
		1	J			DGK	
21							TUBE, Boost Valve
	4617 008	1	T			DGK	
		1	J			DGK	
22							RETAINER, Boost Valve Oil Supply Tube
	5211 7958	1	T			DGK	
		1	J			DGK	
23							CLIP, Transmission Governor Transducer
	4617 219	1	T			DGK	
		1	J			DGK	
24							TRANSDUCER, Pressure Sensor
	56028 196AA	1	T			DGK	
		1	J			DGK	
25							O RING, Pressure Switch, (NOT SERVICED)
26							GASKET, Transmission Solenoid
	4617 216	1	T			DGK	
		1	J			DGK	
27							RETAINER, Transmission Governor Solenoid
	52117 937AB	1	T			DGK	
		1	J			DGK	
28							O RING PACKAGE, Valve Body, Transmission
	4723 549	1	T			DGK	

JEEP GRAND CHEROKEE (WJ)

SERIES	LINE	BODY	ENGINE	TRANSMISSION
H = Laredo	J = 4WD	74 = 4 Door	ERH = 4.0L, Power Tech I-6	DGK = 4 Speed Autm, 42RE
M = Sport	T = 2WD		EVA = 4.7L, Power Tech V8	DGQ = 5 Speed Automatic, 45RFE
P = Limited			EVC = 4.7L HO V8 MPI	DG0 = All Automatic Transm
S = Overland			ERO = All 4.0L 6 Cyl Gas	
			EVO = All 4.7l Gas	

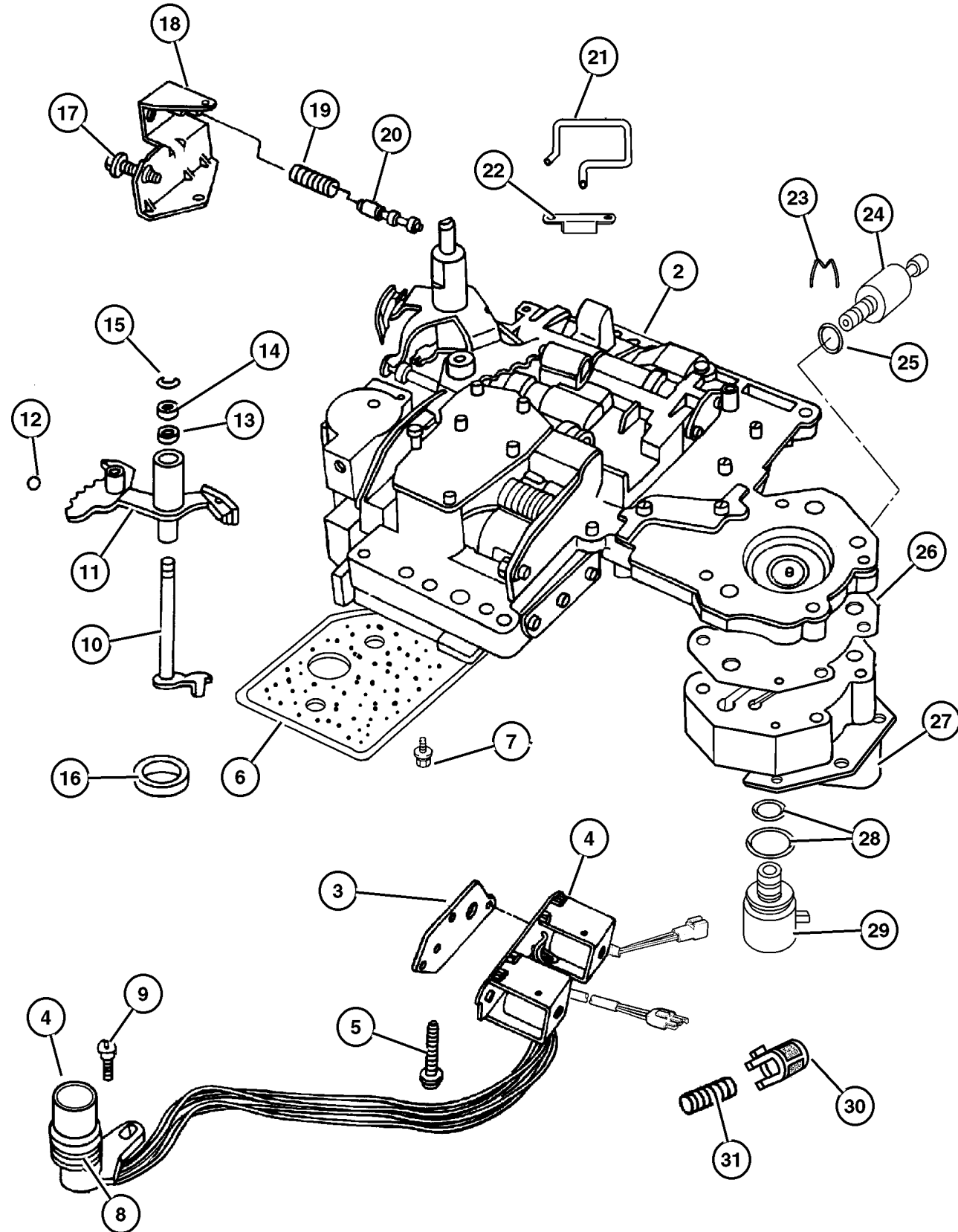
AR = Use as required - = Non illustrated part # = New this model year

May 1, 2002



Valve Body [42RE] [DGK]
Figure 42RE-710

ITEM	PART NUMBER	QTY	LINE	SERIES	ENGINE	TRANS	DESCRIPTION
		1	J			DGK	
29	4617 210	1	T			DGK	SOLENOID, Transmission Governor
		1	J			DGK	
30	3878 313	1	T			DGK	SCREEN, Transmission Regulator Valve
		1	J			DGK	
31	4348 907	1	T			DGK	SPRING, Limit Valve
		1	J			DGK	

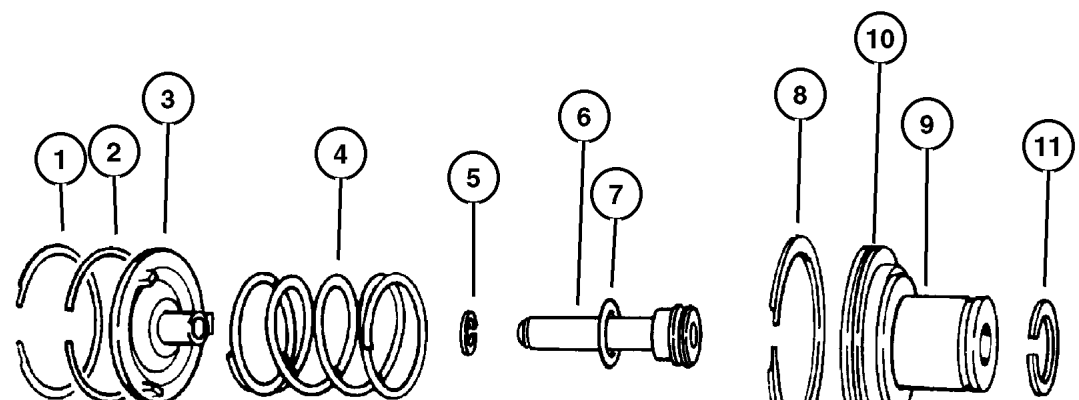


JEEP GRAND CHEROKEE (WJ)				
SERIES	LINE	BODY	ENGINE	TRANSMISSION
H = Laredo	J = 4WD	74 = 4 Door	ERH = 4.0L, Power Tech I-6	DGK = 4 Speed Autm, 42RE
M = Sport	T = 2WD		EVA = 4.7L, Power Tech V8	DGQ = 5 Speed Automatic, 45RFE
P = Limited			EVC = 4.7L HO V8 MPI	DG0 = All Automatic Transm
S = Overland			ERO = All 4.0L 6 Cyl Gas	
			EVO = All 4.7I Gas	

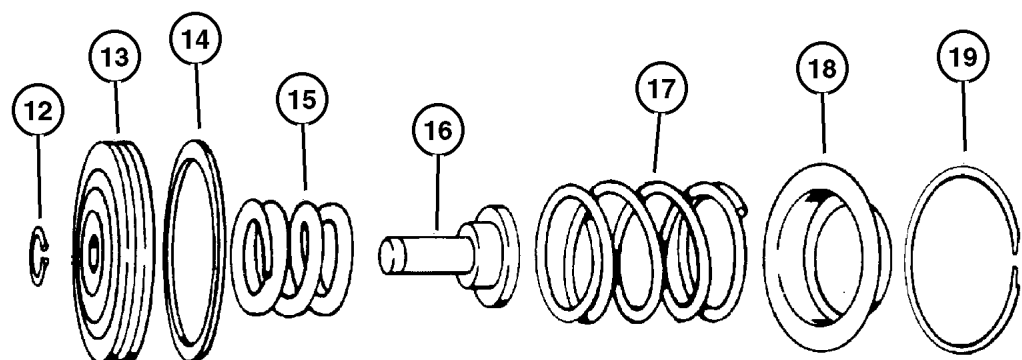
AR = Use as required - = Non illustrated part # = New this model year

May 1, 2002

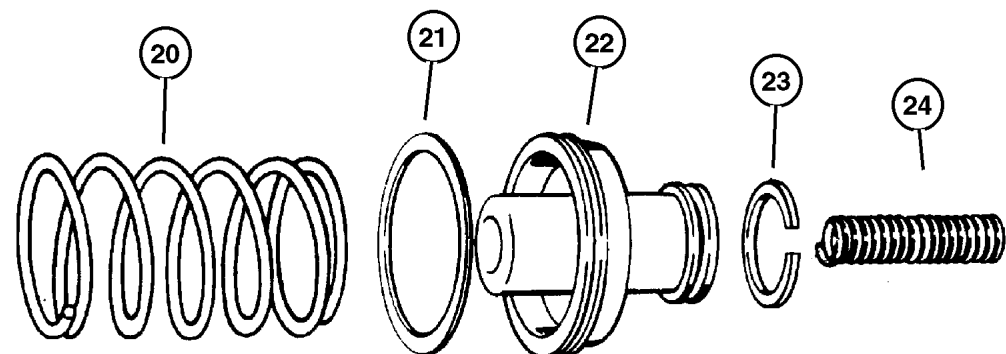
Servos [42RE] [DGK]
Figure 42RE-720



KICKDOWN SERVO



LOW AND REVERSE SERVO



ACCUMULATOR PISTON AND SPRING

ITEM	PART NUMBER	QTY	LINE	SERIES	ENGINE	TRANS	DESCRIPTION
1	6028 863	1	T			DGK	SNAP RING, Kickdown, 2.377
2	4295 966	1	J			DGK	SEAL, Servo Guide
3	3410 332	1	T			DGK	GUIDE, Kickdown Servo
4	4058 885	1	J			DGK	SPRING, Kickdown Servo Piston
5	6031 392	1	T			DGK	SNAP RING, Brake Master Cylinder
6	4058 780	1	J			DGK	ROD, Kickdown Servo Piston
7	6028 864	1	T			DGK	O RING, Kick Down Servo
8	4295 966	1	J			DGK	SEAL, Servo Guide
9	4058 777	1	T			DGK	PISTON, Kickdown Servo
10	6028 864	1	J			DGK	O RING, Kick Down Servo
11	3743 033	1	T			DGK	SEAL, Kickdown Servo
12	6027 153	1	J			DGK	SNAP RING, .435 ID
13	5211 8744	1	T			DGK	PISTON, Reverse Servo
14	4202 864	1	J			DGK	SEAL, Reverse Servo Piston
15	4130 824	1	T			DGK	SPRING, Reverse Servo Piston
16		1	J			DGK	PLUG, Reverse Servo Piston

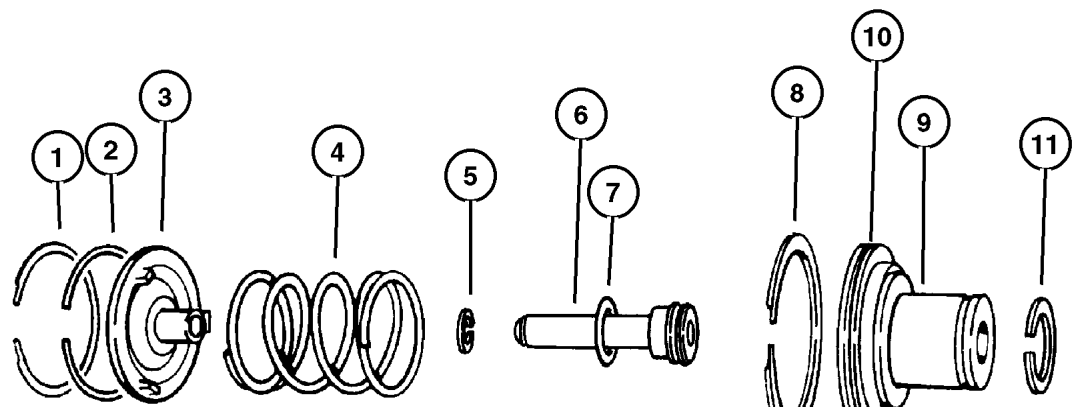
JEEP GRAND CHEROKEE (WJ)

SERIES	LINE	BODY	ENGINE	TRANSMISSION
H = Laredo	J = 4WD	74 = 4 Door	ERH = 4.0L, Power Tech I-6	DGK = 4 Speed Autm, 42RE
M = Sport	T = 2WD		EVA = 4.7L, Power Tech V8	DGQ = 5 Speed Automatic, 45RFE
P = Limited			EVC = 4.7L HO V8 MPI	DG0 = All Automatic Transm
S = Overland			ERO = All 4.0L 6 Cyl Gas	
			EVO = All 4.7L Gas	

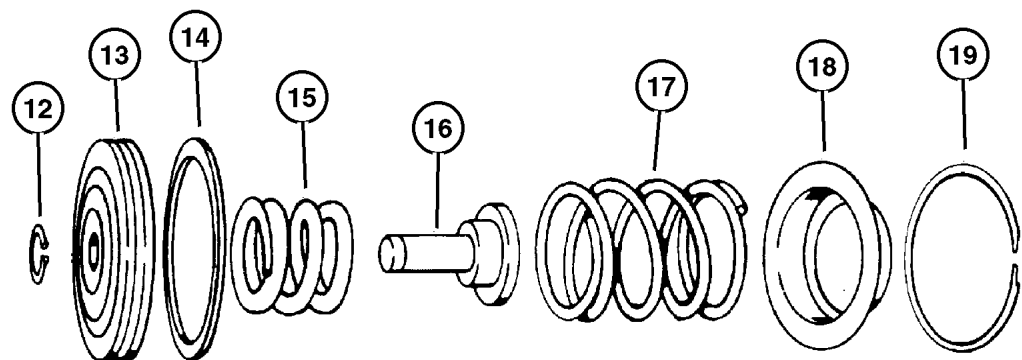
AR = Use as required - = Non illustrated part # = New this model year

May 1, 2002

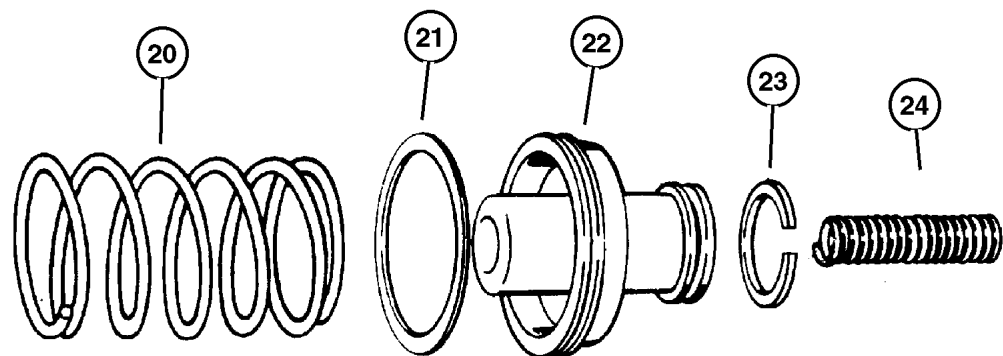
Servos [42RE] [DGK]
Figure 42RE-720



KICKDOWN SERVO



LOW AND REVERSE SERVO



ACCUMULATOR PISTON AND SPRING

ITEM	PART NUMBER	QTY	LINE	SERIES	ENGINE	TRANS	DESCRIPTION
	52118 740AB	1	T			DGK	
		1	J			DGK	
17	2801 274	1	T			DGK	SPRING, Reverse Servo Piston
		1	J			DGK	
18	2464 463	1	T			DGK	RETAINER, Transmission Rear Clutch
		1	J			DGK	
19							SNAP RING
	2464 464	1	T			DGK	
		1	J			DGK	
20	4531 259	1	T			DGK	SPRING, Transmission Accumulator
		1	J			DGK	
21	3743 010	1	T			DGK	SEAL, Piston Accumulator
		1	J			DGK	
22	3743 650	1	T			DGK	PISTON, Accumulator
		1	J			DGK	
23	3743 010	1	T			DGK	SEAL, Piston Accumulator
		1	J			DGK	
24	4617 529	1	T			DGK	SPRING, Accumulator Piston
		1	J			DGK	

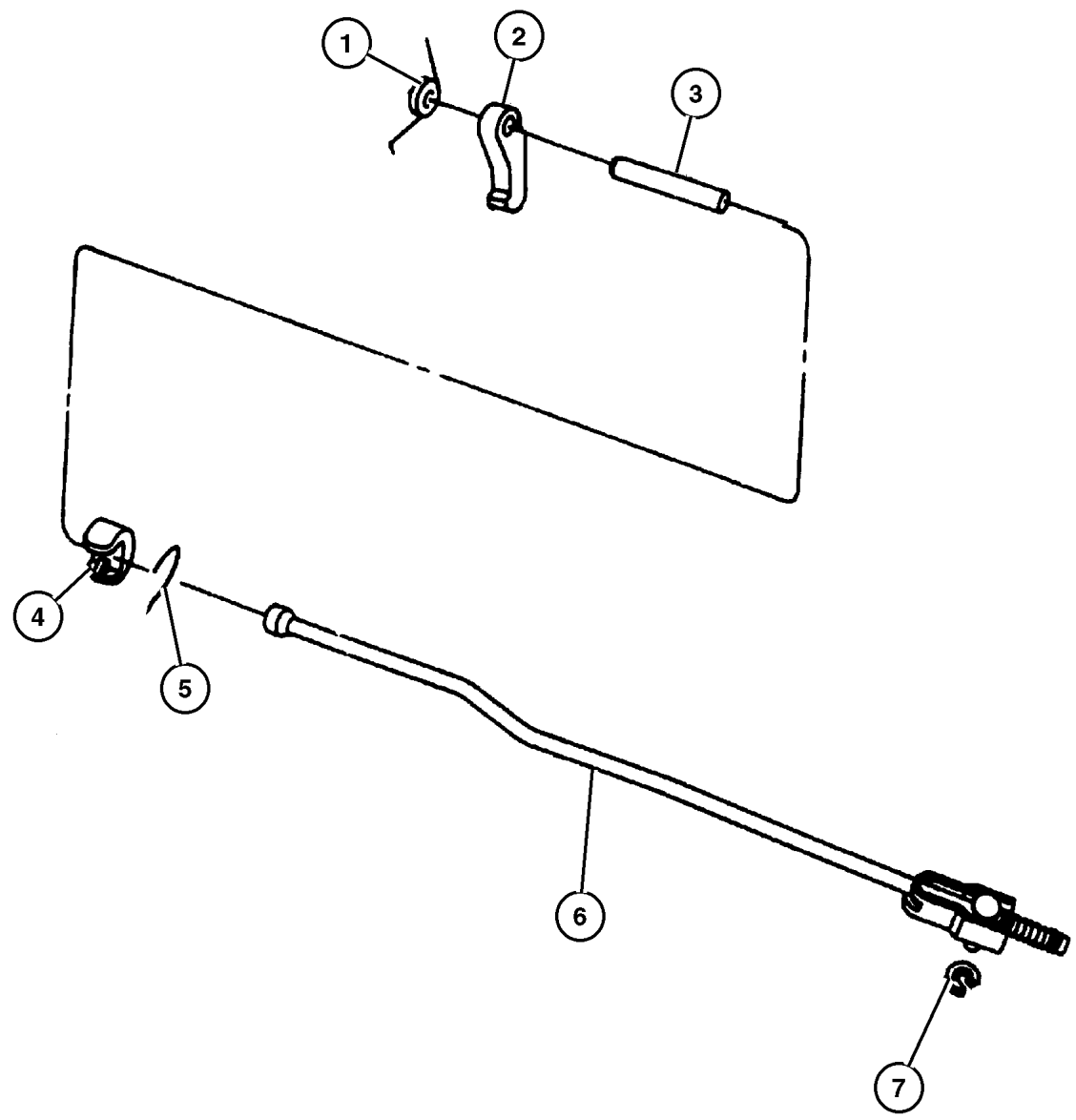
JEEP GRAND CHEROKEE (WJ)

SERIES	LINE	BODY	ENGINE	TRANSMISSION
H = Laredo	J = 4WD	74 = 4 Door	ERH = 4.0L, Power Tech I-6	DGK = 4 Speed Autm, 42RE
M = Sport	T = 2WD		EVA = 4.7L, Power Tech V8	DGQ = 5 Speed Automatic, 45RFE
P = Limited			EVC = 4.7L HO V8 MPI	DG0 = All Automatic Transm
S = Overland			ERO = All 4.0L 6 Cyl Gas	
			EVO = All 4.7l Gas	

AR = Use as required - = Non illustrated part # = New this model year

May 1, 2002

**Parking Sprag [42RE] [DGK]
Figure 42RE-730**



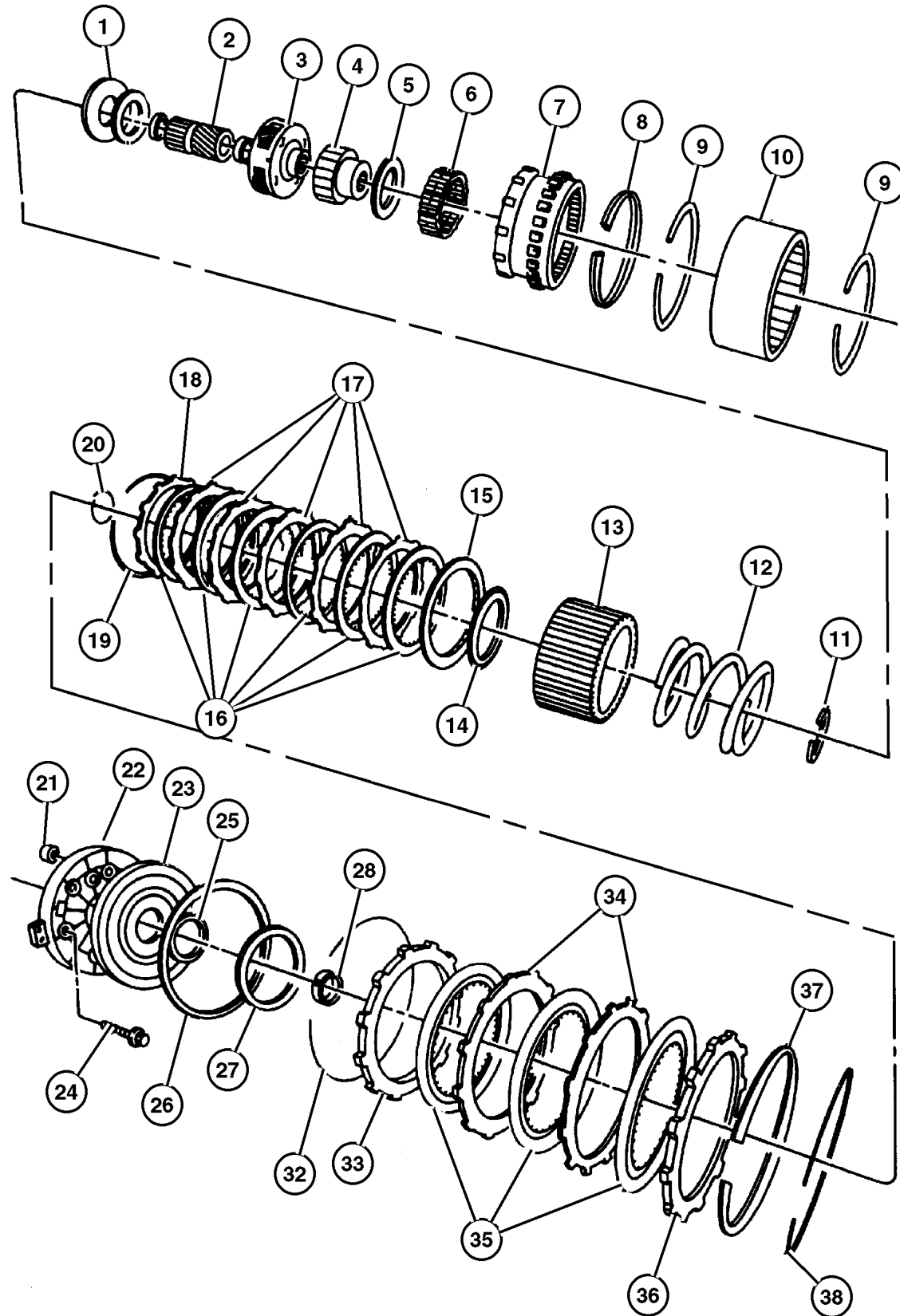
ITEM	PART NUMBER	QTY	LINE	SERIES	ENGINE	TRANS	DESCRIPTION
1							SPRING, Parking Sprag
	2466 909	1	T			DGK	
		1	J			DGK	
2							SPRAG, Transmission Parking
	4471 415	1	T			DGK	
		1	J			DGK	
3							SHAFT, Parking Sprag
	2466 892	1	T			DGK	
		1	J			DGK	
4							PLUG, Parking Sprag
	2538 042	1	T			DGK	
		1	J			DGK	
5							SNAP RING, Transmission
	2538 034	1	T			DGK	
		1	J			DGK	
6							ROD, Parking Sprag
	4431 748	1	T			DGK	
		1	J			DGK	
7							SNAP RING, Rod
	6035 256	1	T			DGK	
		1	J			DGK	

JEEP GRAND CHEROKEE (WJ)

SERIES	LINE	BODY	ENGINE	TRANSMISSION
H = Laredo	J = 4WD	74 = 4 Door	ERH = 4.0L, Power Tech I-6	DGK = 4 Speed Autm, 42RE
M = Sport	T = 2WD		EVA = 4.7L, Power Tech V8	DGQ = 5 Speed Automatic, 45RFE
P = Limited			EVC = 4.7L HO V8 MPI	DG0 = All Automatic Transm
S = Overland			ERO = All 4.0L 6 Cyl Gas	
			EVO = All 4.7l Gas	

AR = Use as required - = Non illustrated part # = New this model year

**Overdrive Gear Train [42RE] [DGK]
Figure 42RE-1010**



ITEM	PART NUMBER	QTY	LINE	SERIES	ENGINE	TRANS	DESCRIPTION
1	4740 774	1	T			DGK	PLATE PACKAGE, Transmission Module
2	5015 107AA	1	T			DGK	GEAR, Overdrive Sun
3		1	J			DGK	CARRIER, O/Drive Planet Pinion
4	4798 520	1	T			DGK	RACE, Overrunning Clutch
5	4461 124	1	T			DGK	THRUST BEARING, Overdrive Third Position
6	4461 014	1	T			DGK	CLUTCH, Overdrive Overrunning
7	4461 015	1	T			DGK	GEAR, Overdrive Annulus
8	4761 010	1	T			DGK	SNAP RING, 5.25 OD
9	4461 059	1	T			DGK	SNAP RING, 6.00 OD
10	4461 060	2	T			DGK	DRUM, Automatic Transmission
11	4461 040	1	T			DGK	SNAP RING, 2.1875 OD
12	4461 063	1	T			DGK	SPRING, Direct Clutch
13	4461 027	1	T			DGK	HUB, Direct Clutch
14	4461 072	1	T			DGK	THRUST BEARING, Overdrive
15	4446 724	1	T			DGK	PLATE, Transmission Clutch Reaction
16	4461 030	1	T			DGK	DISC, Direct Clutch

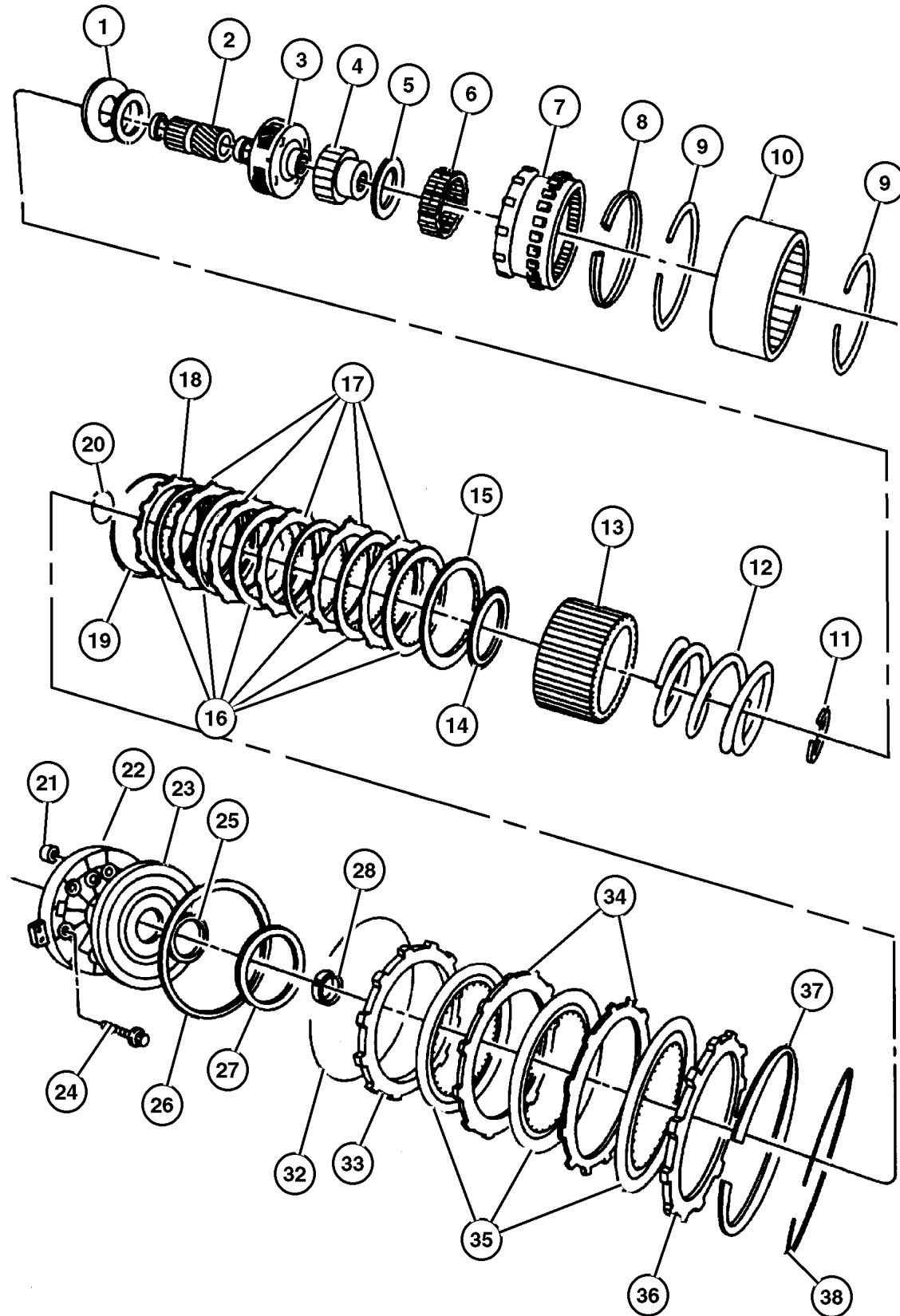
JEEP GRAND CHEROKEE (WJ)

SERIES	LINE	BODY	ENGINE	TRANSMISSION
H = Laredo	J = 4WD	74 = 4 Door	ERH = 4.0L, Power Tech I-6	DGK = 4 Speed Autm, 42RE
M = Sport	T = 2WD		EVA = 4.7L, Power Tech V8	DGQ = 5 Speed Automatic, 45RFE
P = Limited			EVC = 4.7L HO V8 MPI	DG0 = All Automatic Transm
S = Overland			ERO = All 4.0L 6 Cyl Gas	
			EVO = All 4.7l Gas	

AR = Use as required - = Non illustrated part # = New this model year

May 1, 2002

**Overdrive Gear Train [42RE] [DGK]
Figure 42RE-1010**



ITEM	PART NUMBER	QTY	LINE	SERIES	ENGINE	TRANS	DESCRIPTION
	4461 042	6	T			DGK	
		6	J			DGK	
17	4461 054	5	T			DGK	PLATE, Transmission Clutch Reaction
		5	J			DGK	
18	4461 031	1	T			DGK	PLATE, Transmission Clutch Reaction
		1	J			DGK	
19							SPRING, Direct Clutch
	4461 027	1	T			DGK	
		1	J			DGK	
20							SNAP RING, 1.875" OD
	4461 064	1	T			DGK	
		1	J			DGK	
21							FILTER, Overdrive Clutch
	4412 583	1	T			DGK	
		1	J			DGK	
22							RETAINER, Transmission Overdrive Clutch Piston
	4617 246	1	T			DGK	
		1	J			DGK	
23							PISTON, Overdrive Clutch
	5211 8599	1	T			DGK	
		1	J			DGK	
24							BOLT, Hex Head, .25-28x1-5/8
	6033 479	6	T			DGK	
		6	J			DGK	
25							SEAL, Overdrive Clutch Piston
	4431 696	1	T			DGK	
		1	J			DGK	
26							SEAL, Overdrive Clutch Piston
	4431 696	1	T			DGK	
		1	J			DGK	
27							PLATE, Transmission O/Drive Clutch
	4431 585	1	T			DGK	.123"-.125" Thick
	4431 586	1	T			DGK	.153"-.155" Thick
	4431 587	1	T			DGK	.183"-.185" Thick
	4431 588	1	T			DGK	.213"-.215" Thick
	4431 590	1	T			DGK	.243"-.245" Thick
	4431 731	1	T			DGK	.138"-.140" Thick
	4431 732	1	T			DGK	.168"-.170" Thick
	4431 733	1	T			DGK	.198"-.200" Thick

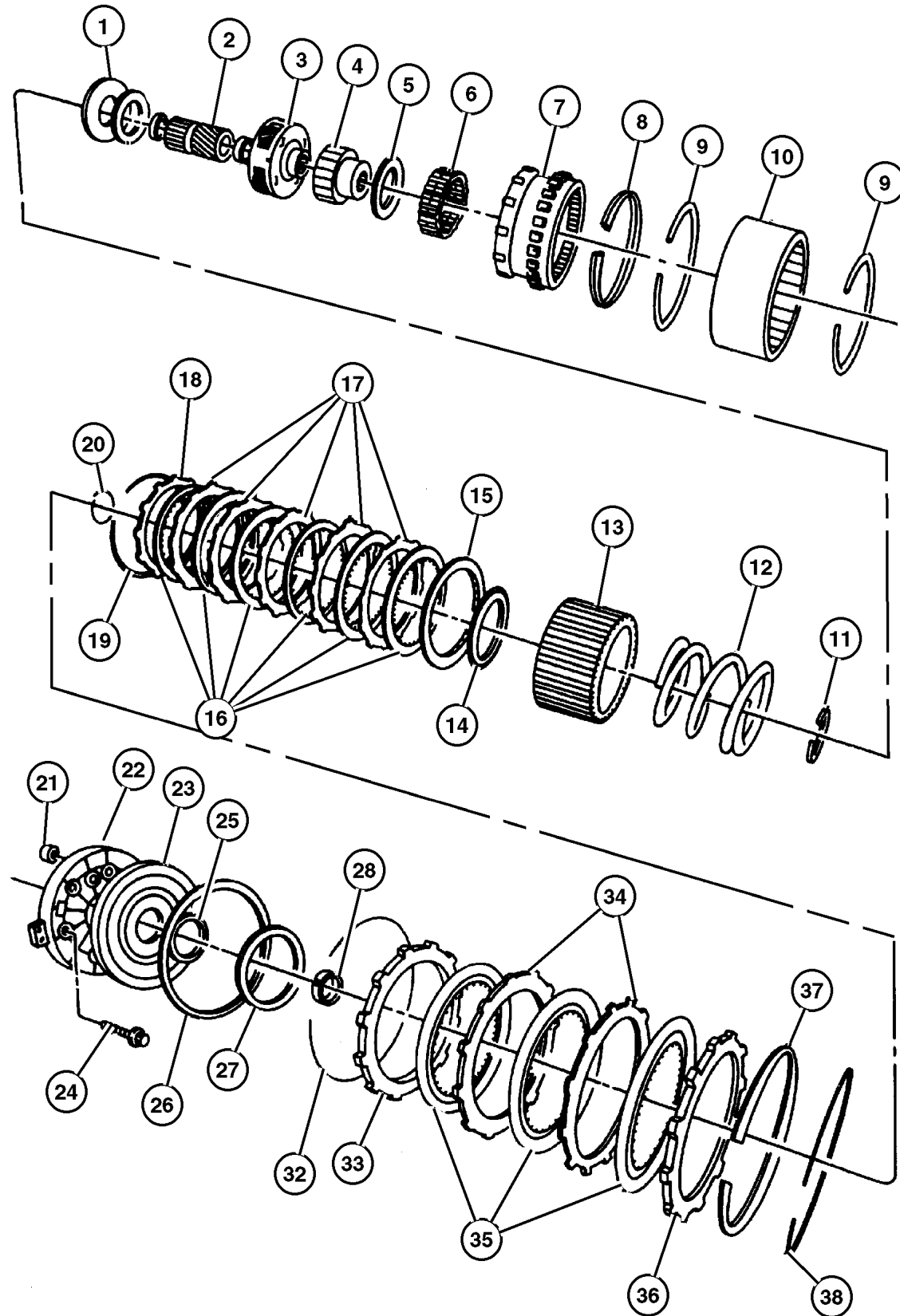
JEEP GRAND CHEROKEE (WJ)

SERIES	LINE	BODY	ENGINE	TRANSMISSION
H = Laredo	J = 4WD	74 = 4 Door	ERH = 4.0L, Power Tech I-6	DGK = 4 Speed Autm, 42RE
M = Sport	T = 2WD		EVA = 4.7L, Power Tech V8	DGQ = 5 Speed Automatic, 45RFE
P = Limited			EVC = 4.7L HO V8 MPI	DG0 = All Automatic Transm
S = Overland			ERO = All 4.0L 6 Cyl Gas	
			EVO = All 4.7L Gas	

AR = Use as required - = Non illustrated part # = New this model year

May 1, 2002

**Overdrive Gear Train [42RE] [DGK]
Figure 42RE-1010**



ITEM	PART NUMBER	QTY	LINE	SERIES	ENGINE	TRANS	DESCRIPTION
	4431 734	1	T			DGK	.228"-.245" Thick
	4431 735	1	T			DGK	.108"-.110" Thick
	4431 585	1	J			DGK	.123"-.125" Thick
	4431 586	1	J			DGK	.153"-.155" Thick
	4431 587	1	J			DGK	.183"-.185" Thick
	4431 588	1	J			DGK	.213"-.215" Thick
	4431 590	1	J			DGK	.243"-.245" Thick
	4431 731	1	J			DGK	.138"-.140" Thick
	4431 732	1	J			DGK	.168"-.170" Thick
	4431 733	1	J			DGK	.198"-.200" Thick
	4431 734	1	J			DGK	.228"-.245" Thick
	4431 735	1	J			DGK	.108"-.110" Thick
28							SPACER, Intermediate Shaft, 1.58mm
	4431 916	1	T			DGK	
		1	J			DGK	
-29							SPACER, Intermediate Shaft, .175
	4431 917	1	T			DGK	
		1	J			DGK	
-30							SPACER, Intermediate Shaft, .193
	4431 918	1	T			DGK	
		1	J			DGK	
-31							SPACER, Intermediate Shaft, .211
	4431 919	1	T			DGK	
		1	J			DGK	
32							SNAP RING, Overdrive Clutch
	4461 082	1	T			DGK	
		1	J			DGK	
33							PLATE, Transmission Clutch Reaction
	4461 048	1	T			DGK	
		1	J			DGK	
34							PLATE, Transmission Clutch Reaction
	4461 047	2	T			DGK	
		2	J			DGK	
35							DISC, Direct Clutch
	4461 181	3	T			DGK	
		3	J			DGK	
36							PLATE, Transmission Clutch Reaction
	4461 033	1	T			DGK	
		1	J			DGK	
37							SPRING, Overdrive Clutch
	4461 066	1	T			DGK	

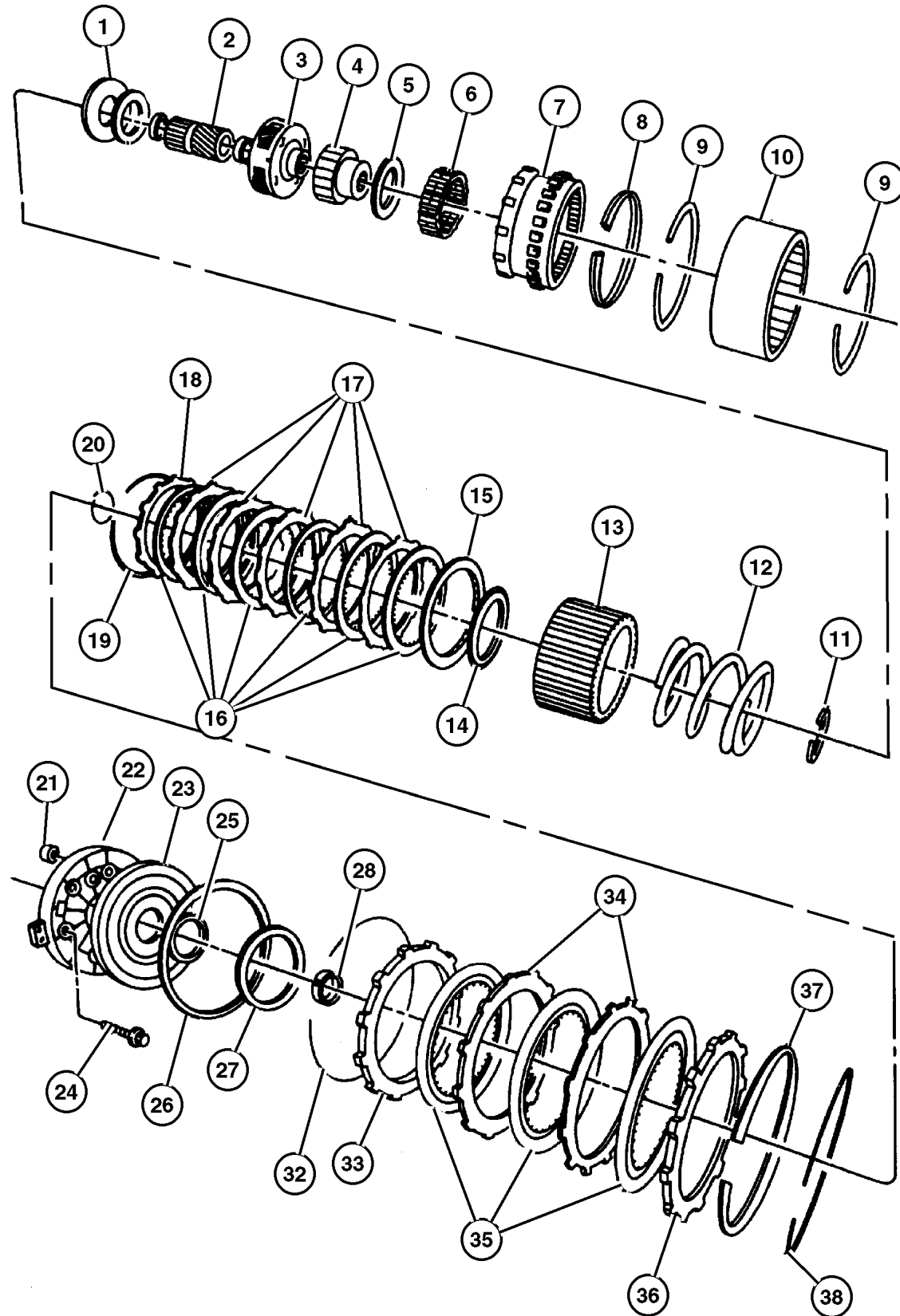
JEEP GRAND CHEROKEE (WJ)

SERIES	LINE	BODY	ENGINE	TRANSMISSION
H = Laredo	J = 4WD	74 = 4 Door	ERH = 4.0L, Power Tech I-6	DGK = 4 Speed Autm, 42RE
M = Sport	T = 2WD		EVA = 4.7L, Power Tech V8	DGQ = 5 Speed Automatic, 45RFE
P = Limited			EVC = 4.7L HO V8 MPI	DG0 = All Automatic Transm
S = Overland			ERO = All 4.0L 6 Cyl Gas	
			EVO = All 4.7l Gas	

AR = Use as required - = Non illustrated part # = New this model year

May 1, 2002

Overdrive Gear Train [42RE] [DGK]
Figure 42RE-1010



ITEM	PART NUMBER	QTY	LINE	SERIES	ENGINE	TRANS	DESCRIPTION
		1	J			DGK	
38	4461 065	1	T			DGK	SNAP RING, 6.50 OD
		1	J			DGK	

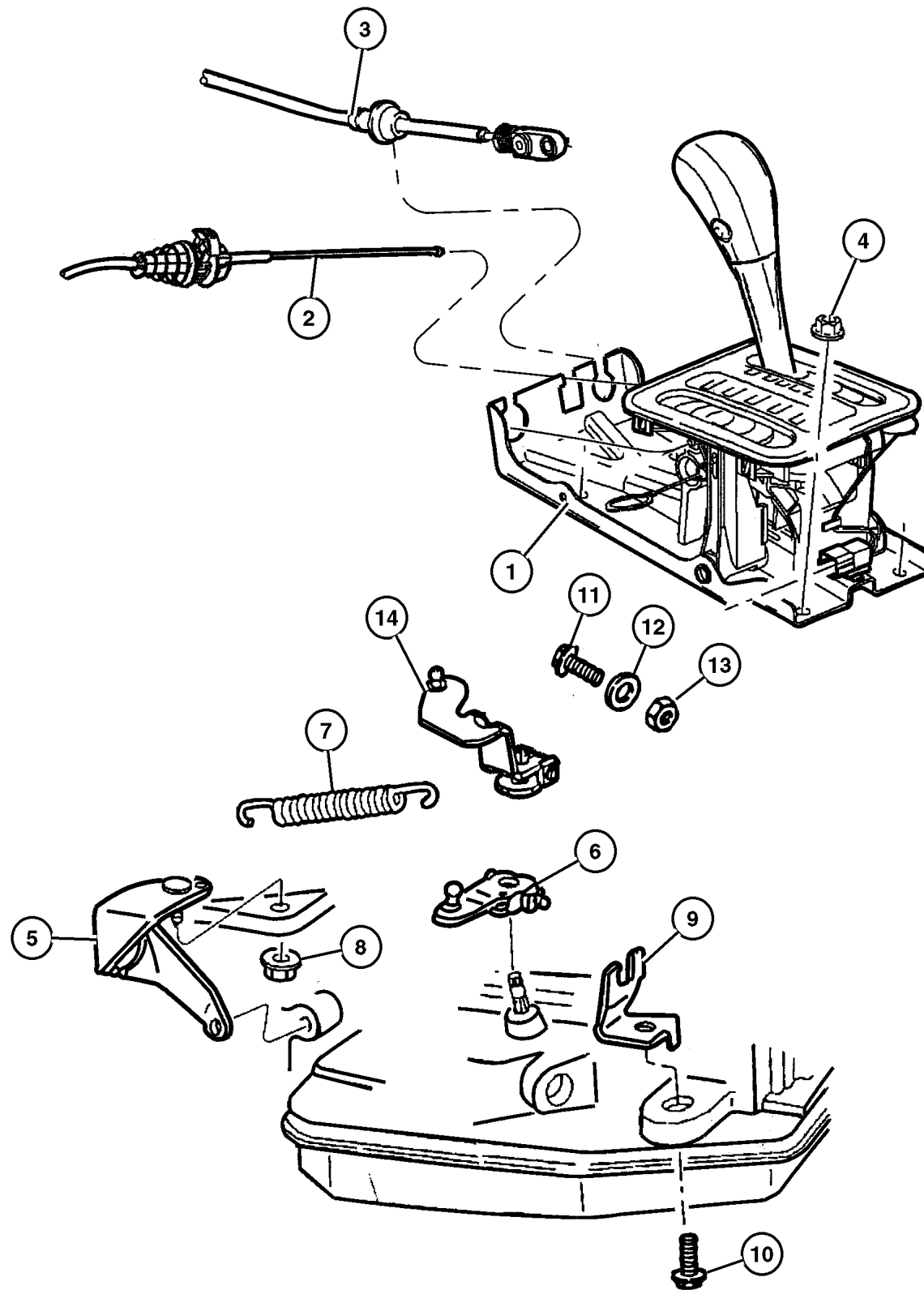
JEEP GRAND CHEROKEE (WJ)

SERIES	LINE	BODY	ENGINE	TRANSMISSION
H = Laredo	J = 4WD	74 = 4 Door	ERH = 4.0L, Power Tech I-6	DGK = 4 Speed Autm, 42RE
M = Sport	T = 2WD		EVA = 4.7L, Power Tech V8	DGQ = 5 Speed Automatic, 45RFE
P = Limited			EVC = 4.7L HO V8 MPI	DG0 = All Automatic Transm
S = Overland			ERO = All 4.0L 6 Cyl Gas	
			EVO = All 4.7l Gas	

AR = Use as required - = Non illustrated part # = New this model year

May 1, 2002

**Gearshift Controls [42RE] [DGK]
Figure 42RE-1210**



ITEM	PART NUMBER	QTY	LINE	SERIES	ENGINE	TRANS	DESCRIPTION
------	-------------	-----	------	--------	--------	-------	-------------

NOTES: Sales Codes ake Shoe Return Spring Lower.
 [DGK] = 42RE 4 Speed Automatic Transmissions ake Shoe Return Spring Lower.
 [DGQ] = 45RFE 5 Speed Automatic Transmissions ake Shoe Return Spring Lower.
 [DG0] = All Automatic Transmissions ake Shoe Return Spring Lower.
 [ER0] = All 4.0L Gas Engines ake Shoe Return Spring Lower.
 [EVA] = Next Generation 4.7L Power Tech. ake Shoe Return Spring Lower.
 [EVC] = 4.7L Power Tech Ho ake Shoe Return Spring Lower.
 [EV0] = All 4.7L Gas Engines ake Shoe Return Spring Lower.

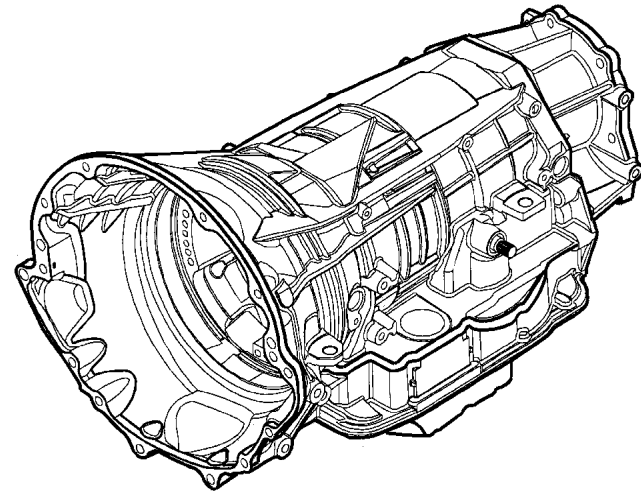
ITEM	PART NUMBER	QTY	LINE	SERIES	ENGINE	TRANS	DESCRIPTION
1							HOUSING AND LEVER, Shifter
	#52109 672AB	1	J		ER0, EVO	DGK, DGQ	
	#52109 673AB	1	J		ER0, EVC, EVO	DGK, DGQ	[Heat Staked]
	#52109 670AB	1	T		ER0, EVA, EVC	DGK, DGQ	
2	#52109 606AA	1				DG0	CABLE, Park Interlock
3	52104 060AC	1				DG0	CABLE, Gearshift Control
4	6101 695	4					NUT, Hex Flange Lock, M8x1.25
5	5210 4057	1				DGK	BRACKET, Shift Cable
6	5210 4058	1				DGK	LEVER, Manual Control
7	5300 9055	1				DGK	SPRING, Throttle Valve Return
8	6028 114	1				DGK	NUT, Hex, .437-14
9	5207 8867	1			ER0		BRACKET, Cable
10	6029 799	1				DGK	BOLT, Hex Head, .375-16x1.00
11	0181 065	1			ER0		BOLT, Hex Head, .25-20x1.00
12	0138 165	1			ER0		WASHER, Lock
13	J012 0375	1			ER0		NUT, Hex, .250-20
14							LEVER, Throttle Valve
	3681 227	1	T			DGK	
		1	J			DGK	

JEEP GRAND CHEROKEE (WJ)			
SERIES	LINE	BODY	ENGINE
H = Laredo	J = 4WD	74 = 4 Door	ERH = 4.0L, Power Tech I-6
M = Sport	T = 2WD		EVA = 4.7L, Power Tech V8
P = Limited			EVC = 4.7L HO V8 MPI
S = Overland			ER0 = All 4.0L 6 Cyl Gas
			EVO = All 4.7L Gas
			TRANSMISSION
			DGK = 4 Speed Autm, 42RE
			DGQ = 5 Speed Automatic, 45RFE
			DG0 = All Automatic Transm

AR = Use as required - = Non illustrated part # = New this model year

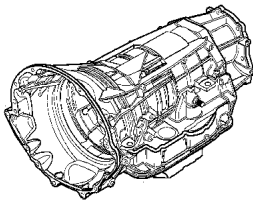
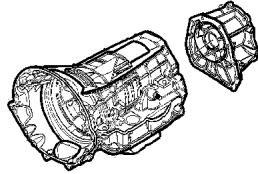
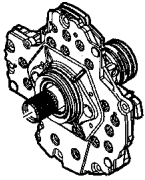
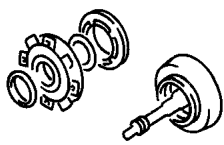
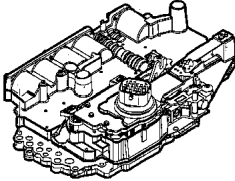
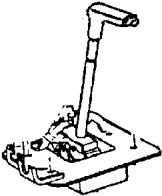
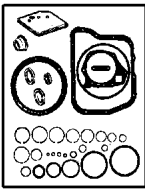
Group – 45RFE

Automatic Transmission Multi-Speed



GROUP 45RFE - Automatic Transmission Multi-Speed

Illustration Title	Group-Fig. No.
Transmission Assembly	
Transmission [45RFE] [DGQ]	Fig. 45RFE-110
Case and Extension	
Case and Related Parts [45RFE] [DGQ]	Fig. 45RFE-210
Adapter [45RFE] [DGQ]	Fig. 45RFE-220
Oil Pump	
Oil Pump [45RFE] [DGQ]	Fig. 45RFE-310
Gear Train	
Input Shaft [45RFE] [DGQ]	Fig. 45RFE-410
Underdrive [45RFE] [DGQ]	Fig. 45RFE-420
Overdrive [45RFE] [DGQ]	Fig. 45RFE-430
2/4 Clutch Retainer [45RFE] [DGQ]	Fig. 45RFE-440
Input/Reverse Planetary [45RFE] [DGQ]	Fig. 45RFE-450
Reaction Annulus/Sun Gear [45RFE] [DGQ]	Fig. 45RFE-460
Valve Body	
Valve Body [45RFE] [DGQ]	Fig. 45RFE-710
Parking Sprag [45RFE] [DGQ]	Fig. 45RFE-730
Gearshift Controls	
Gearshift Controls [45RFE] [DGQ]	Fig. 45RFE-1210
Seal and Shim Packages	
LR Clutch [45RFE] [DGQ]	Fig. 45RFE-1302
Input Clutch Plate [45RFE] [DGQ]	Fig. 45RFE-1303
O/H [45RFE] [DGQ]	Fig. 45RFE-1304
Input Clutch [45RFE] [DGQ]	Fig. 45RFE-1305
Planetary Plate [45RFE] [DGQ]	Fig. 45RFE-1306
2&4 Clutch [45RFE] [DGQ]	Fig. 45RFE-1310

45RFE-100 Transmission Assembly 	45RFE-200 Case and Extension 	45RFE-300 Oil Pump 	45RFE-400 Gear Train 
45RFE-700 Valve Body 	45RFE-1200 Gearshift Controls 	45RFE-1300 Seal and Shim Packages 	

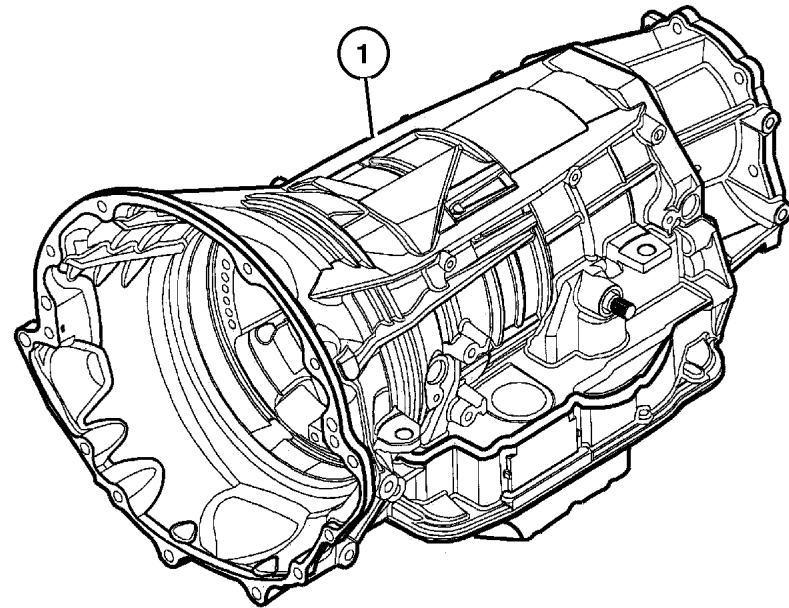
Transmission [45RFE] [DGQ]
Figure 45RFE-110

ITEM	PART NUMBER	QTY	LINE	SERIES	ENGINE	TRANS	DESCRIPTION
------	-------------	-----	------	--------	--------	-------	-------------

NOTE; Sales Codes ake Shoe Return Spring Lower.

[DGQ] = 5 Speed Automatic Transmission [45RFE] ake Shoe Return Spring Lower.

1							TRANSMISSION KIT, Automatic
	#5018 205AB	1	T			DGQ	
	5019 249AB	1	J			DGQ	



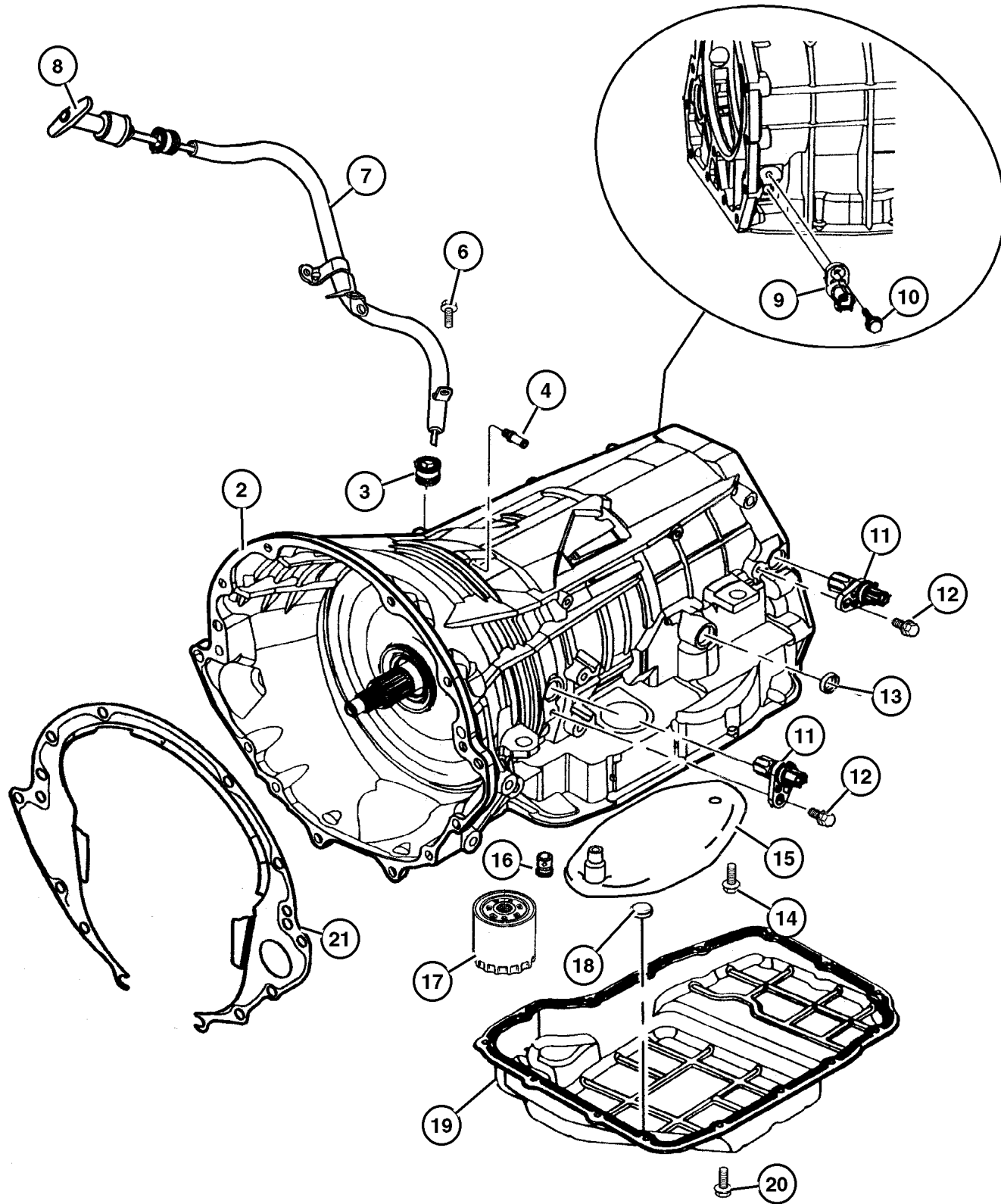
JEEP GRAND CHEROKEE (WJ)

SERIES	LINE	BODY	ENGINE	TRANSMISSION
H = Laredo	J = 4WD	74 = 4 Door	ERH = 4.0L, Power Tech I-6	DGK = 4 Speed Autm, 42RE
M = Sport	T = 2WD		EVA = 4.7L, Power Tech V8	DGQ = 5 Speed Automatic, 45RFE
P = Limited			EVC = 4.7L HO V8 MPI	DG0 = All Automatic Transm
S = Overland			ERO = All 4.0L 6 Cyl Gas	
			EVO = All 4.7l Gas	

AR = Use as required - = Non illustrated part # = New this model year

May 1, 2002

**Case and Related Parts [45RFE] [DGQ]
Figure 45RFE-210**



ITEM	PART NUMBER	QTY	LINE	SERIES	ENGINE	TRANS	DESCRIPTION
------	-------------	-----	------	--------	--------	-------	-------------

NOTE; Sales Codes ake Shoe Return Spring Lower.

[DGQ] = 5 Speed Automatic Transmission [45RFE] ake Shoe Return Spring Lower.

[ER0] = All 4.0L 6 Cylinder Gas Engines ake Shoe Return Spring Lower.

[EV0] = All 4.7L Gas Engines ake Shoe Return Spring Lower.

-1							OVERHAUL PACKAGE, Transmission
	5014 221AG	1	T			DGQ	
		1	J			DGQ	
2	4799 613	1	T			DGQ	CASE, Transmission
		1	J			DGQ	
3	4810 021	1	T			DGQ	GROMMET
		1	J			DGQ	
4	4799 861AB	1	T			DGQ	VENT, Transmission
		1	J			DGQ	
-5	53032 457AA	1				DG0	TUBE, Vent
6	0153 371	1				DG0	BOLT, Hex Head, .375-16x2.25
7	53013 507AA	1				DGQ	TUBE, Transmission Oil Filler
8							INDICATOR, Transmission Fluid Level
	52104 137AB	1			EVO	DG0	
	52118 641AC	1			ER0	DG0	
9							TRANSDUCER, Pressure Sensor
	4799 758	1	T			DGQ	
		1	J			DGQ	
10							BOLT, M6x1.00x20
	6101 331	1	T			DGQ	
		1	J			DGQ	
11							SENSOR, Transmission Output Speed
	4799 061	2	T			DGQ	
		2	J			DGQ	
12							BOLT, M6x1.00x20
	6101 331	2	T			DGQ	
		2	J			DGQ	
13							SEAL
	4799 346	1	T			DGQ	
		1	J			DGQ	
14							SCREW, Pan Head, M5 x 0.8 x 12.60
	6503 232	7	T			DGQ	
		7	J			DGQ	
15							FILTER PACKAGE, Transmission Oil

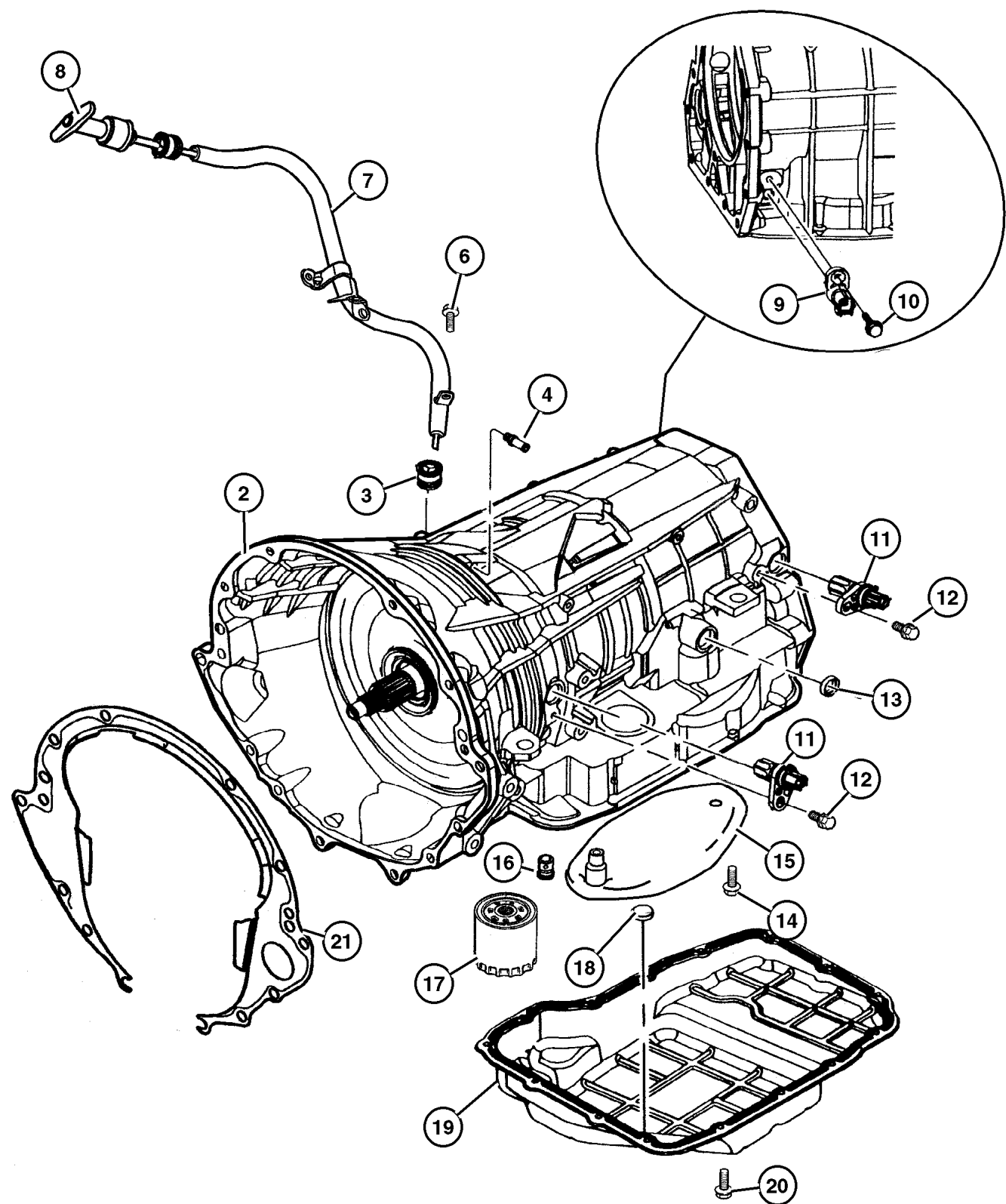
JEEP GRAND CHEROKEE (WJ)

SERIES	LINE	BODY	ENGINE	TRANSMISSION
H = Laredo	J = 4WD	74 = 4 Door	ERH = 4.0L, Power Tech I-6	DGK = 4 Speed Autm, 42RE
M = Sport	T = 2WD		EVA = 4.7L, Power Tech V8	DGQ = 5 Speed Automatic, 45RFE
P = Limited			EVC = 4.7L HO V8 MPI	DG0 = All Automatic Transm
S = Overland			ERO = All 4.0L 6 Cyl Gas	
			EVO = All 4.7L Gas	

AR = Use as required - = Non illustrated part # = New this model year

May 1, 2002

**Case and Related Parts [45RFE] [DGQ]
Figure 45RFE-210**



ITEM	PART NUMBER	QTY	LINE	SERIES	ENGINE	TRANS	DESCRIPTION
	5013 470AC	1	J			DGQ	
	5015 267AC	1	T			DGQ	
16	4799 681	1	T			DGQ	VALVE, Flow Control
		1	J			DGQ	
17	4799 662	1	T			DGQ	FILTER, Transmission Oil
		1	J			DGQ	
18	4446 728	1	T			DGQ	MAGNET, Transmission
		1	J			DGQ	
19	4800 078AA	1	T			DGQ	PAN, Transmission Oil
	5013 681AA	1	J			DGQ	
20	6101 221	15	T			DGQ	SCREW
		15	J			DGQ	
21	5210 4133	1				DGQ	COVER, Transmission Dust
-22	4799 433AB	2	T			DGQ	NUT, Transmission Case
		2	J			DGQ	

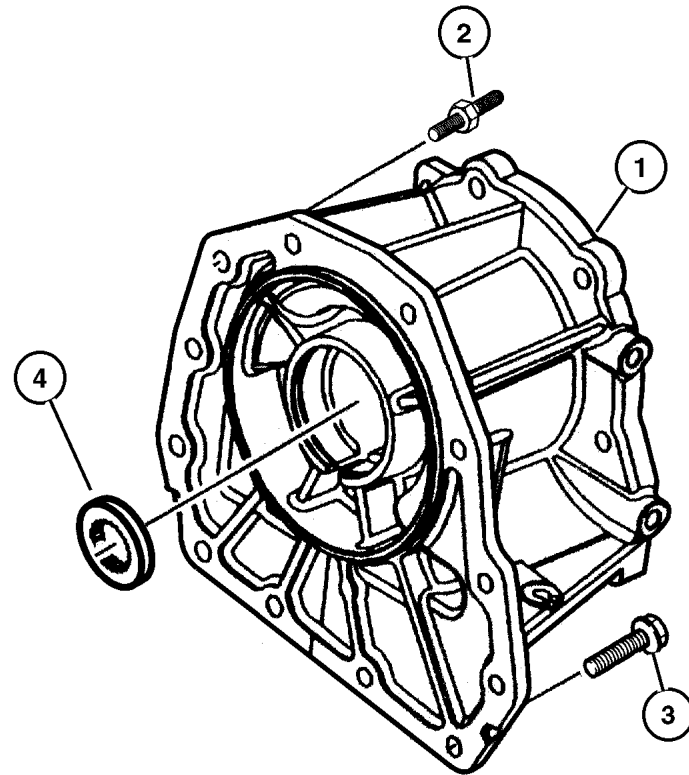
JEEP GRAND CHEROKEE (WJ)

SERIES	LINE	BODY	ENGINE	TRANSMISSION
H = Laredo	J = 4WD	74 = 4 Door	ERH = 4.0L, Power Tech I-6	DGK = 4 Speed Autm, 42RE
M = Sport	T = 2WD		EVA = 4.7L, Power Tech V8	DGQ = 5 Speed Automatic, 45RFE
P = Limited			EVC = 4.7L HO V8 MPI	DG0 = All Automatic Transm
S = Overland			ERO = All 4.0L 6 Cyl Gas	
			EVO = All 4.7l Gas	

AR = Use as required - = Non illustrated part # = New this model year

Adapter [45RFE] [DGQ]
Figure 45RFE-220

ITEM	PART NUMBER	QTY	LINE	SERIES	ENGINE	TRANS	DESCRIPTION
1	5209 8690	1	J			DGQ	ADAPTER, Transfer Case
2	6505 064AA	2	T			DGQ	STUD, M10x1.5x62
		2	J			DGQ	
3	6504 774	10	T			DGQ	SCREW AND WASHER, Hex Head, M10x1.5x37
		10	J			DGQ	
4	5019 020AA	1	J			DGQ	SEAL, Input
-5	4799 495	1	T			DGQ	HOUSING, Transmission Rear Extension



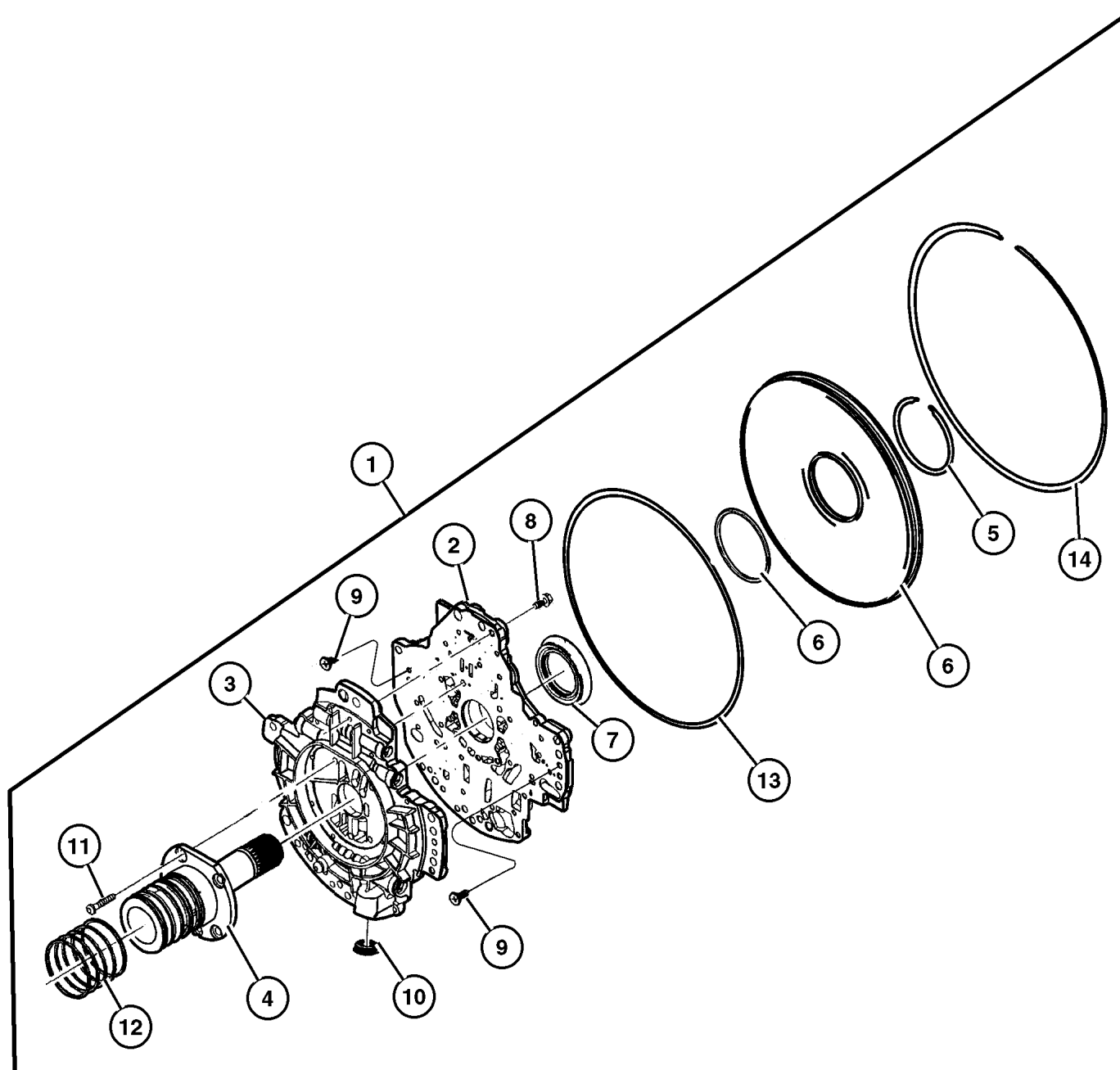
JEEP GRAND CHEROKEE (WJ)

SERIES	LINE	BODY	ENGINE	TRANSMISSION
H = Laredo	J = 4WD	74 = 4 Door	ERH = 4.0L, Power Tech I-6	DGK = 4 Speed Autm, 42RE
M = Sport	T = 2WD		EVA = 4.7L, Power Tech V8	DGQ = 5 Speed Automatic, 45RFE
P = Limited			EVC = 4.7L HO V8 MPI	DG0 = All Automatic Transm
S = Overland			ERO = All 4.0L 6 Cyl Gas	
			EVO = All 4.7l Gas	

AR = Use as required - = Non illustrated part # = New this model year

May 1, 2002

Oil Pump [45RFE] [DGQ]
Figure 45RFE-310



ITEM	PART NUMBER	QTY	LINE	SERIES	ENGINE	TRANS	DESCRIPTION
1							PUMP PACKAGE, Transmission
	5072 589AA	1	T			DGQ	
		1	J			DGQ	
2							HOUSING, Pump, (NOT SERVICED)
3							BODY, Oil Pump Valve, (NOT SERVICED)
4							SUPPORT, Reaction Shaft, (NOT SERVICED)
5							SNAP RING, Transmission
	4799 082	1	T			DGQ	
		1	J			DGQ	
6							COVER, Oil Pump
	4799 609	1	T			DGQ	
		1	J			DGQ	
7							SEAL, Transmission Oil Pump
	4617 919	1	T			DGQ	
		1	J			DGQ	
8							SCREW AND WASHER, Pan Head, M5x.8x25
	6500 215	24	T			DGQ	
		24	J			DGQ	
9							SCREW, Pan Head, M5 x 0.8 x 12.60
	6503 232	1	T			DGQ	
		1	J			DGQ	
10							SEAL, Oil Pump
	4799 964AB	1	T			DGQ	
		1	J			DGQ	
11							SCREW, Button Head
	6504 661	5	J			DGQ	
		5	T			DGQ	
12							RING, Transmission
	#4799 056AB	5	T			DGQ	
		5	J			DGQ	
13							O RING, Oil Pump, .
	4799 003	1	T			DGQ	
		1	J			DGQ	
14							SNAP RING, Transmission
	4799 005	1	T			DGQ	
		1	J			DGQ	

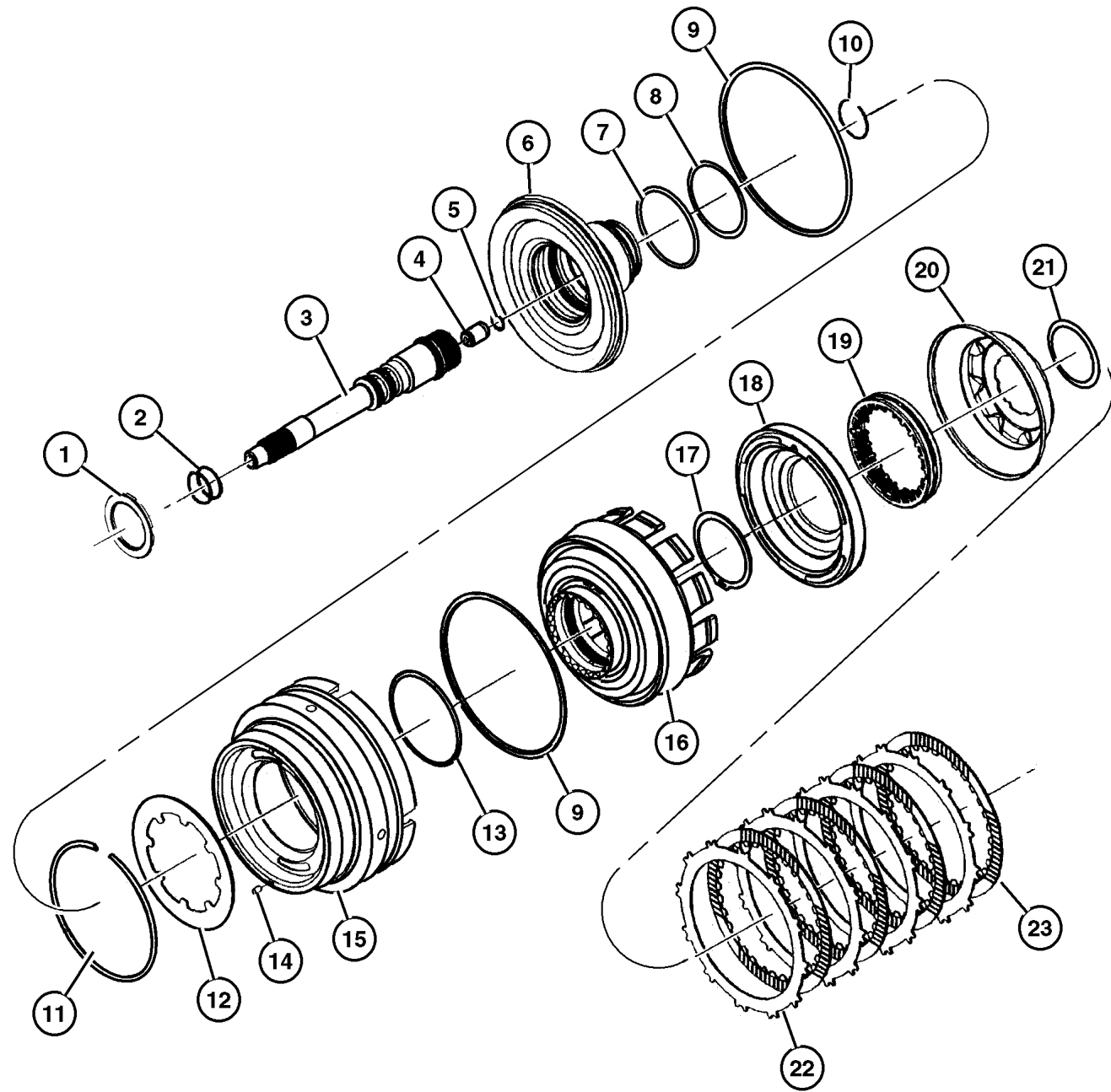
JEEP GRAND CHEROKEE (WJ)

SERIES	LINE	BODY	ENGINE	TRANSMISSION
H = Laredo	J = 4WD	74 = 4 Door	ERH = 4.0L, Power Tech I-6	DGK = 4 Speed Autm, 42RE
M = Sport	T = 2WD		EVA = 4.7L, Power Tech V8	DGQ = 5 Speed Automatic, 45RFE
P = Limited			EVC = 4.7L HO V8 MPI	DG0 = All Automatic Transm
S = Overland			ERO = All 4.0L 6 Cyl Gas	
			EVO = All 4.7I Gas	

AR = Use as required - = Non illustrated part # = New this model year

May 1, 2002

**Input Shaft [45RFE] [DGQ]
Figure 45RFE-410**



ITEM	PART NUMBER	QTY	LINE	SERIES	ENGINE	TRANS	DESCRIPTION
NOTE; Sales Codes ake Shoe Return Spring Lower.							
[DGQ] = 5 Speed Automatic Transmission [45RFE] ake Shoe Return Spring Lower.							
1							THRUST BEARING, Needle Roller
	4799 469	1	T			DGQ	
		1	J			DGQ	
2							SEAL, Input Shaft, PKG 05013090AA
	4799 539	2	T			DGQ	
		2	J			DGQ	
3							SHAFT, Input
	4799 537	1	T			DGQ	
		1	J			DGQ	
4							CHECK VALVE, Transmission
	4799 974AA	1	T			DGQ	
		1	J			DGQ	
5							SNAP RING
	4799 978AA	1	T			DGQ	
		1	J			DGQ	
6							HUB, Input Clutch
	4799 536AC	1	T			DGQ	
		1	J			DGQ	
7							O RING, Transmission Clutch, PKG 05013090AA
	4799 073	1	T			DGQ	
		1	J			DGQ	
8							O RING, Transmission Clutch, PKG 05013090AA
	4799 755	1	T			DGQ	
		1	J			DGQ	
9							SEAL, Input, PKG 05013090aa
	4799 090	1	T			DGQ	
		1	J			DGQ	
10							SNAP RING, Input Shaft
	4799 538	1	T			DGQ	
		1	J			DGQ	
11							SNAP RING, Transmission
	4799 088	1	T			DGQ	
		1	J			DGQ	
12							SPRING, Piston Return
	4799 087	1	T			DGQ	
		1	J			DGQ	
13							O RING, Reverse & O/Drive Clutch Piston, Transmission, PKG 05013090AA
	4799 089	1	T			DGQ	

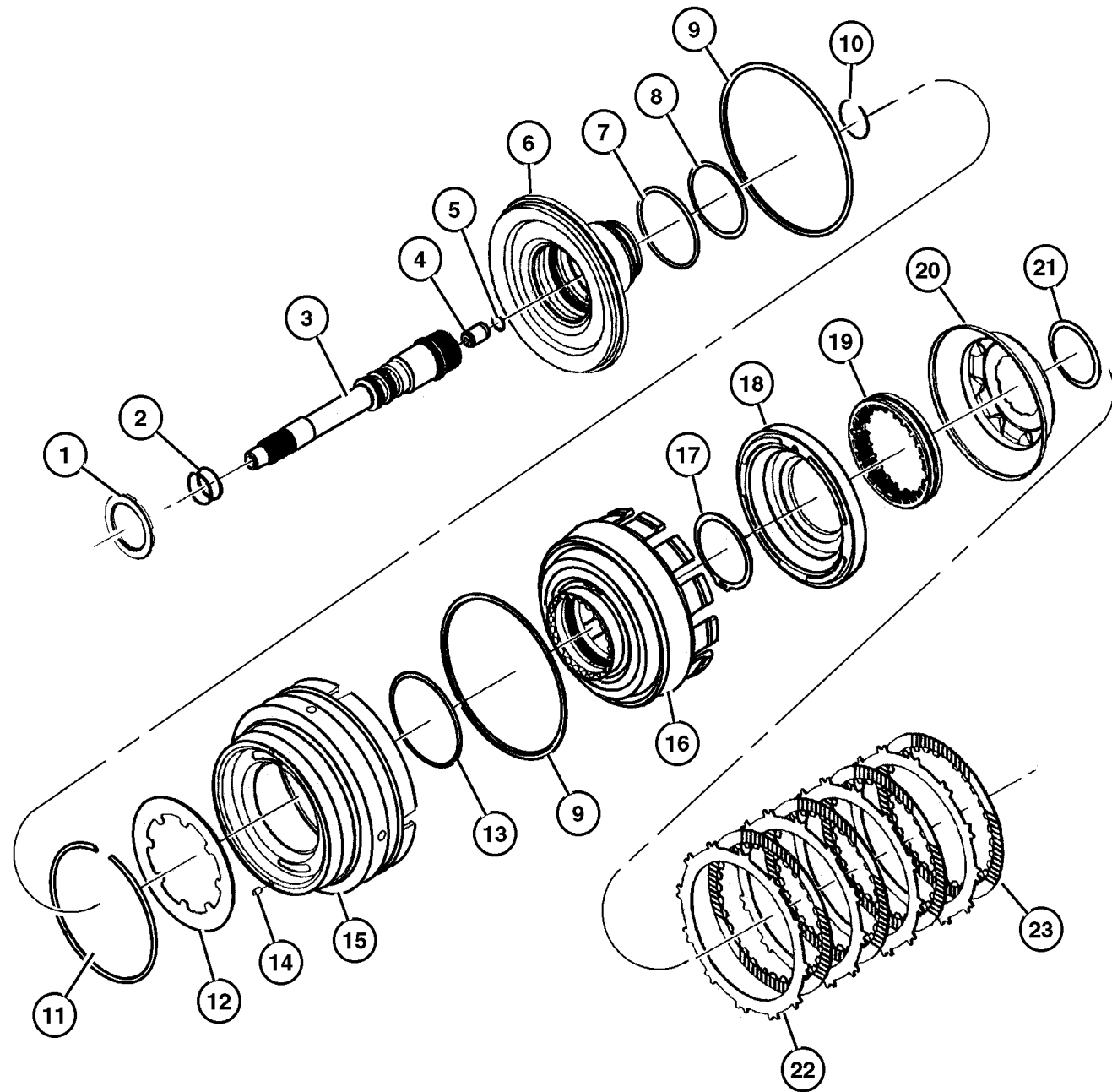
JEEP GRAND CHEROKEE (WJ)

SERIES	LINE	BODY	ENGINE	TRANSMISSION
H = Laredo	J = 4WD	74 = 4 Door	ERH = 4.0L, Power Tech I-6	DGK = 4 Speed Autm, 42RE
M = Sport	T = 2WD		EVA = 4.7L, Power Tech V8	DGQ = 5 Speed Automatic, 45RFE
P = Limited			EVC = 4.7L HO V8 MPI	DG0 = All Automatic Transm
S = Overland			ERO = All 4.0L 6 Cyl Gas	
			EVO = All 4.7l Gas	

AR = Use as required - = Non illustrated part # = New this model year

May 1, 2002

**Input Shaft [45RFE] [DGQ]
Figure 45RFE-410**



ITEM	PART NUMBER	QTY	LINE	SERIES	ENGINE	TRANS	DESCRIPTION
		1	J			DGQ	
14	4531 903	1	T			DGQ	FILTER, Reverse And O/D Clutch
		1	J			DGQ	
15	4799 645	1	T			DGQ	PISTON, Reverse and Overdrive
		1	J			DGQ	
16	4799 648	1	T			DGQ	RETAINER, Transmission Input Clutch
		1	J			DGQ	
17	4799 247	1	T			DGQ	SNAP RING
		1	J			DGQ	
18	4799 650	1	T			DGQ	PISTON, Underdrive
		1	J			DGQ	
19	4799 101	1	T			DGQ	SPRING, Undredrive Piston, PKG 05013090AA
		1	J			DGQ	
20	4799 652	1	T			DGQ	PISTON, Underdrive
		1	J			DGQ	
21	4799 103	1	T			DGQ	SNAP RING, Transmission, PKG 05013090AA
		1	J			DGQ	
22							PLATE, PKG 05013090AA, (NOT SERVICED)
23							DISC, Clutch, PKG 05013090AA, (NOT SERVICED)

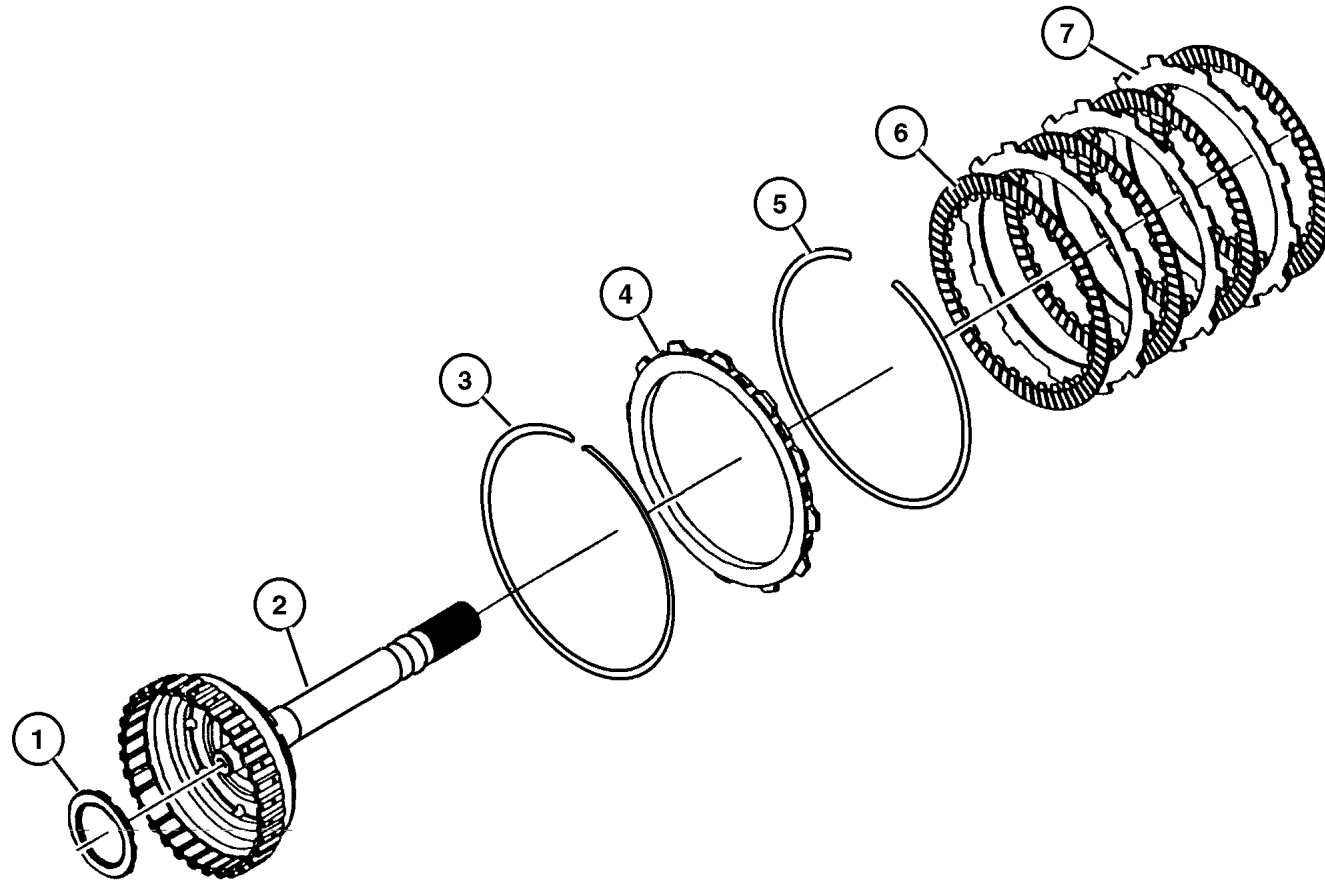
JEEP GRAND CHEROKEE (WJ)

SERIES	LINE	BODY	ENGINE	TRANSMISSION
H = Laredo	J = 4WD	74 = 4 Door	ERH = 4.0L, Power Tech I-6	DGK = 4 Speed Autm, 42RE
M = Sport	T = 2WD		EVA = 4.7L, Power Tech V8	DGQ = 5 Speed Automatic, 45RFE
P = Limited			EVC = 4.7L HO V8 MPI	DG0 = All Automatic Transm
S = Overland			ERO = All 4.0L 6 Cyl Gas	
			EVO = All 4.7l Gas	

AR = Use as required - = Non illustrated part # = New this model year

May 1, 2002

**Underdrive [45RFE] [DGQ]
Figure 45RFE-420**



ITEM	PART NUMBER	QTY	LINE	SERIES	ENGINE	TRANS	DESCRIPTION
NOTE; Sales Codes ake Shoe Return Spring Lower.							
[DGQ] = 5 Speed Automatic Transmission [45RFE] ake Shoe Return Spring Lower.							
1	4799 469	1	T			DGQ	THRUST BEARING, Needle Roller
		1	J			DGQ	
2	4799 546	1	T			DGQ	HUB AND SHAFT, Underdrive Clutch
		1	J			DGQ	
3	4799 760	1	T			DGQ	SNAP RING, Transmission
		1	J			DGQ	
4	4799 107AB	AR	T			DGQ	PLATE, Transmission Clutch Reaction
		AR	J			DGQ	7.00/7.16 mm Thick
	4799 108AB	AR	T			DGQ	7.00/7.16mm Thick
		AR	J			DGQ	3.05/3.21mm Thick
	4799 109AB	AR	T			DGQ	3.05/3.21mm Thick
		AR	J			DGQ	3.60/3.76mm Thick
5							SNAP RING, PKG 05013090AA, (NOT SERVICED)
6							DISC, Clutch, PKG 05013090AA, (NOT SERVICED)
7							PLATE, PKG 05013090AA, (NOT SERVICED)

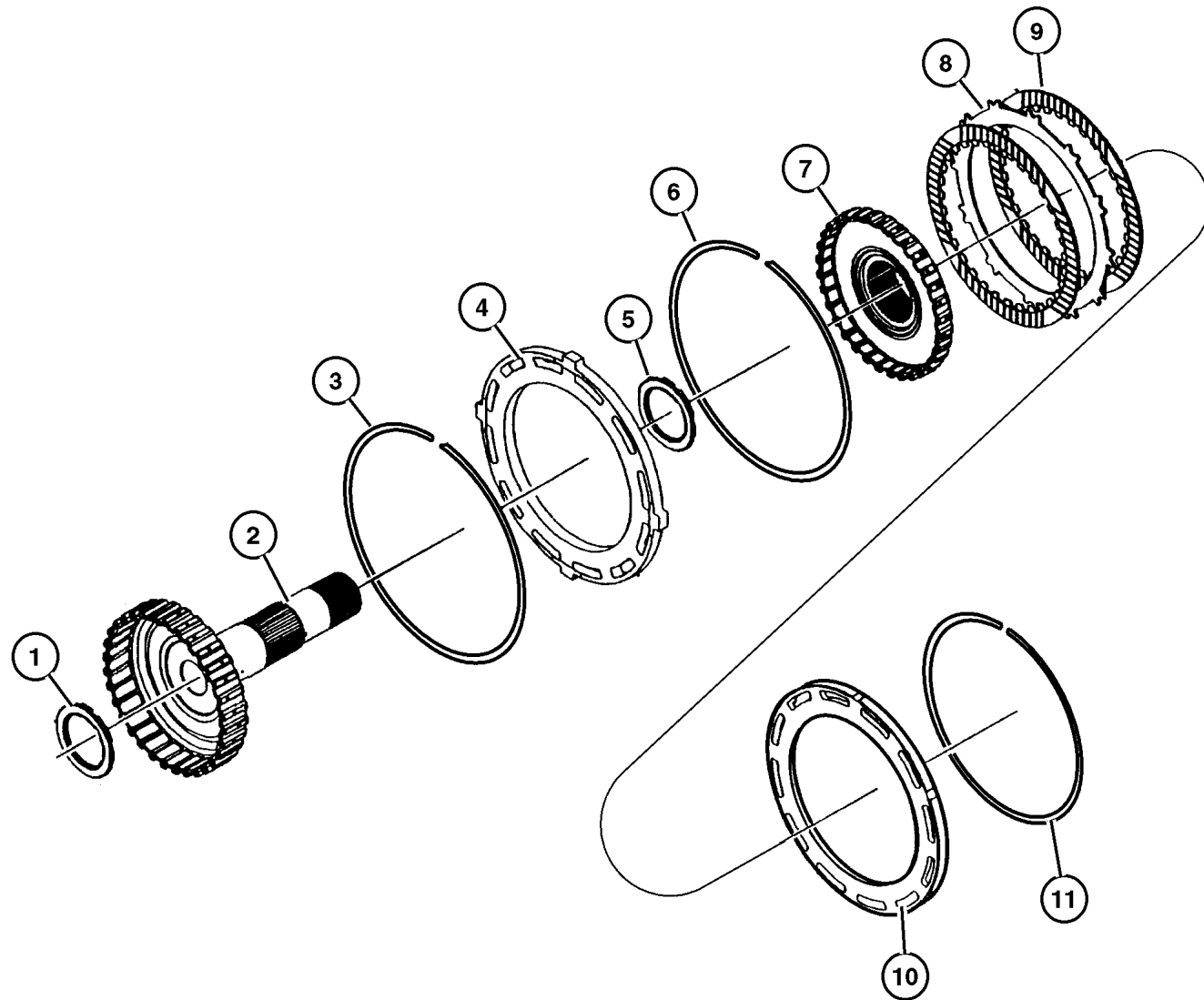
JEEP GRAND CHEROKEE (WJ)

SERIES	LINE	BODY	ENGINE	TRANSMISSION
H = Laredo	J = 4WD	74 = 4 Door	ERH = 4.0L, Power Tech I-6	DGK = 4 Speed Autm, 42RE
M = Sport	T = 2WD		EVA = 4.7L, Power Tech V8	DGQ = 5 Speed Automatic, 45RFE
P = Limited			EVC = 4.7L HO V8 MPI	DG0 = All Automatic Transm
S = Overland			ERO = All 4.0L 6 Cyl Gas	
			EVO = All 4.7l Gas	

AR = Use as required - = Non illustrated part # = New this model year

May 1, 2002

Overdrive [45RFE] [DGQ]
Figure 45RFE-430



ITEM	PART NUMBER	QTY	LINE	SERIES	ENGINE	TRANS	DESCRIPTION
NOTE; Sales Codes ake Shoe Return Spring Lower.							
[DGQ] = 5 Speed Automatic Transmission [45RFE] ake Shoe Return Spring Lower.							
1							THRUST BEARING, Needle Roller
	4799 469	1	T			DGQ	
		1	J			DGQ	
2							HUB AND SHAFT, Overdrive Clutch
	4799 550	1	T			DGQ	
		1	J			DGQ	
3							SNAP RING, Overdrive Clutch
	4799 118	1	T			DGQ	
		1	J			DGQ	
4							PLATE, Clutch Pressure
	4799 116	1	T			DGQ	
		1	J			DGQ	
5							THRUST BEARING, Needle Roller
	4799 469	1	T			DGQ	
		1	J			DGQ	
6							SNAP RING, Transmission
	4799 117	1	T			DGQ	
		1	J			DGQ	
7							HUB AND SHAFT, Reverse Clutch
	4799 556	1	T			DGQ	
		1	J			DGQ	
8							PLATE, PKG 05013090AA, (NOT SERVICED)
9							DISC, Clutch, PKG 05013090AA, (NOT SERVICED)
10							PLATE, Transmission Clutch Reaction
	4799 121	1	T			DGQ	
		1	J			DGQ	
11							SNAP RING, PKG 05013090AA, (NOT SERVICED)

JEEP GRAND CHEROKEE (WJ)

SERIES	LINE	BODY	ENGINE	TRANSMISSION
H = Laredo	J = 4WD	74 = 4 Door	ERH = 4.0L, Power Tech I-6	DGK = 4 Speed Autm, 42RE
M = Sport	T = 2WD		EVA = 4.7L, Power Tech V8	DGQ = 5 Speed Automatic, 45RFE
P = Limited			EVC = 4.7L HO V8 MPI	DG0 = All Automatic Transm
S = Overland			ERO = All 4.0L 6 Cyl Gas	
			EVO = All 4.7l Gas	

AR = Use as required - = Non illustrated part # = New this model year

May 1, 2002

**2/4 Clutch Retainer [45RFE] [DGQ]
Figure 45RFE-440**

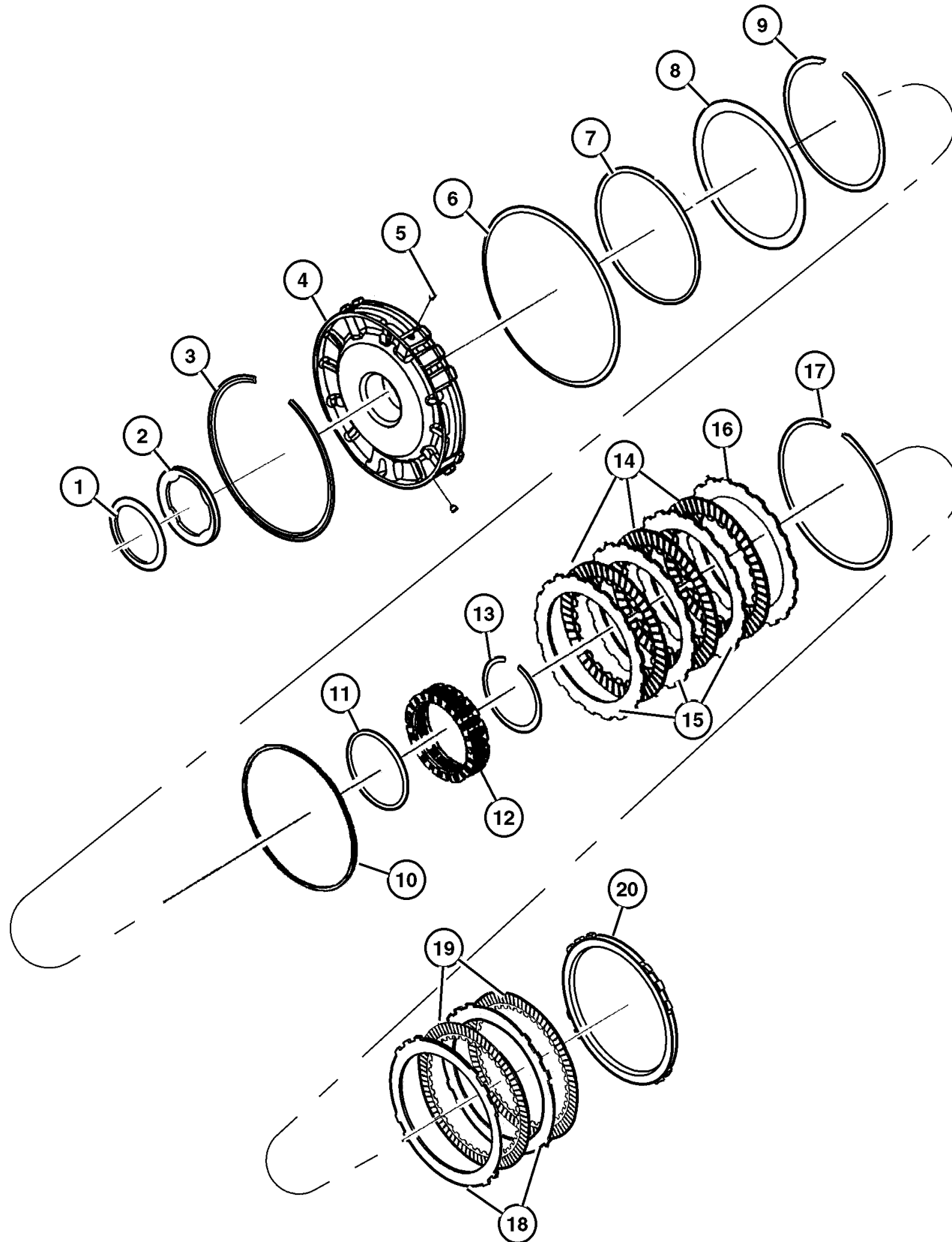
ITEM	PART NUMBER	QTY	LINE	SERIES	ENGINE	TRANS	DESCRIPTION
NOTE; Sales Codes ake Shoe Return Spring Lower.							
[DGQ] = 5 Speed Automatic Transmission [45RFE] ake Shoe Return Spring Lower.							
1	4799 936AB	1	T			DGQ	THRUST BEARING, Needle Roller
		1	J			DGQ	
2							PLATE, Clutch Hub Thrust, PKG 05013093AB, (NOT SERVICED)
3	4799 680AB	1	T			DGQ	SNAP RING, Transmission
		1	J			DGQ	
4	4799 498	1	T			DGQ	RETAINER, Transmission 2nd and 4th Clutch Piston
		1	J			DGQ	
5	4799 086	1	T			DGQ	BLEED ORIFICE, Transmission
		1	J			DGQ	
6	4799 174	1	T			DGQ	SNAP RING, Transmission
		1	J			DGQ	
7							RING, PKG 05013093AB, (NOT SERVICED)
8	4799 521	1	T			DGQ	SPRING, 2nd And 4th Clutch Piston
		1	J			DGQ	
9	4799 522AB	1	T			DGQ	SNAP RING, Transmission
		1	J			DGQ	
10							RING, PKG 05013093AB, (NOT SERVICED)
11							RING, PKG 05013093AB, (NOT SERVICED)
12	4799 527AB	1	T			DGQ	SPRING, 2nd And 4th Clutch Piston
		1	J			DGQ	
13	4799 528AB	1	T			DGQ	SNAP RING, Transmission
		1	J			DGQ	
14							DISC, Clutch, PKG 05013087AA, (NOT SERVICED)
15							PLATE, Clutch Separator, PKG 05013087AA, (NOT SERVICED)
16	4799 533	1	T			DGQ	PLATE, Transmission Clutch Reaction
		1	J			DGQ	
17							SNAP RING, Transmission, PKG 05013087AA, (NOT SERVICED)

JEEP GRAND CHEROKEE (WJ)

SERIES	LINE	BODY	ENGINE	TRANSMISSION
H = Laredo	J = 4WD	74 = 4 Door	ERH = 4.0L, Power Tech I-6	DGK = 4 Speed Autm, 42RE
M = Sport	T = 2WD		EVA = 4.7L, Power Tech V8	DGQ = 5 Speed Automatic, 45RFE
P = Limited			EVC = 4.7L HO V8 MPI	DG0 = All Automatic Transm
S = Overland			ERO = All 4.0L 6 Cyl Gas	
			EVO = All 4.7l Gas	

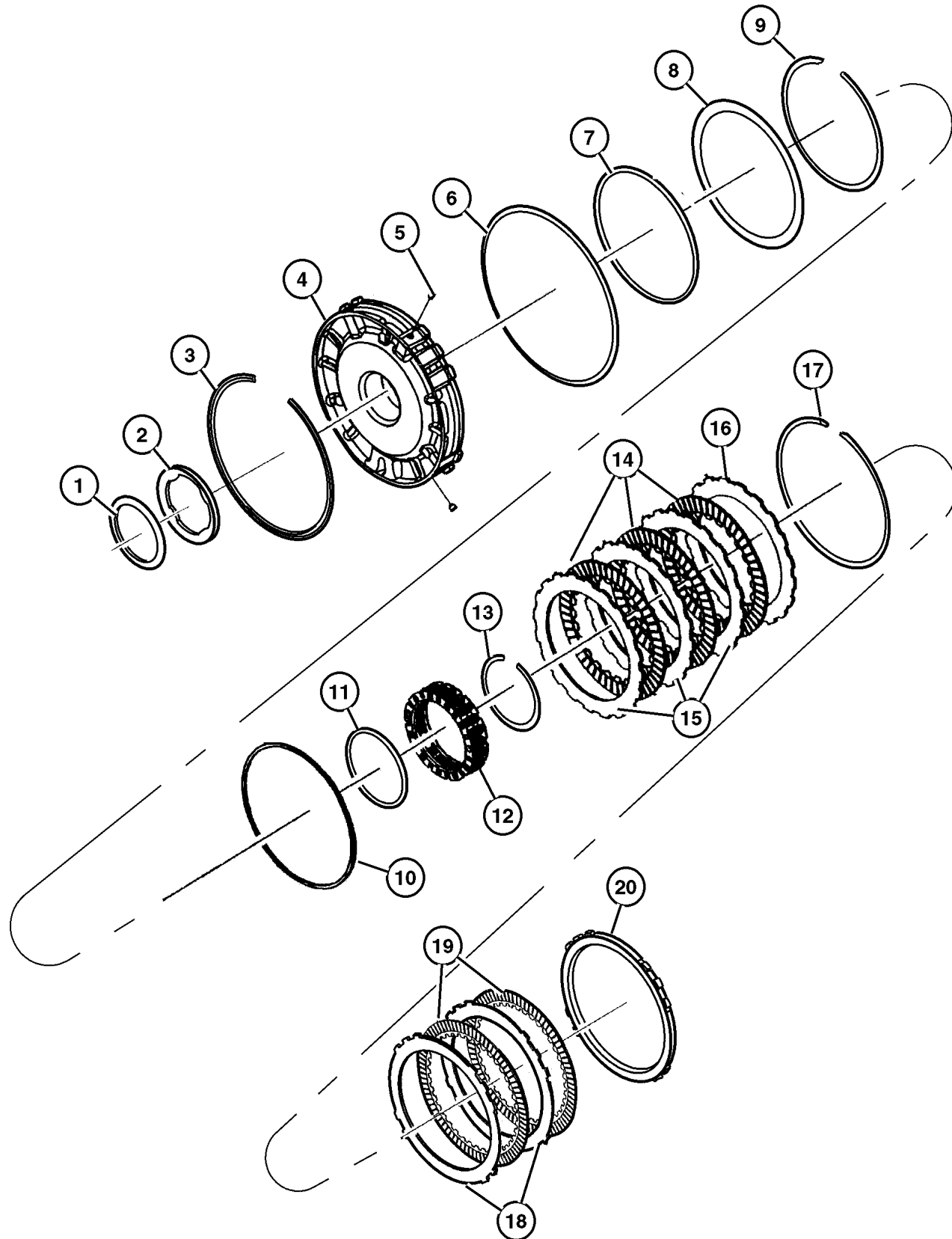
AR = Use as required - = Non illustrated part # = New this model year

May 1, 2002



**2/4 Clutch Retainer [45RFE] [DGQ]
Figure 45RFE-440**

ITEM	PART NUMBER	QTY	LINE	SERIES	ENGINE	TRANS	DESCRIPTION
18							PLATE, PKG 05013087AA, (NOT SERVICED)
19							DISC, Clutch, PKG 05013087AA, (NOT SERVICED)
20							PLATE, PKG 05013087AA, (NOT SERVICED)



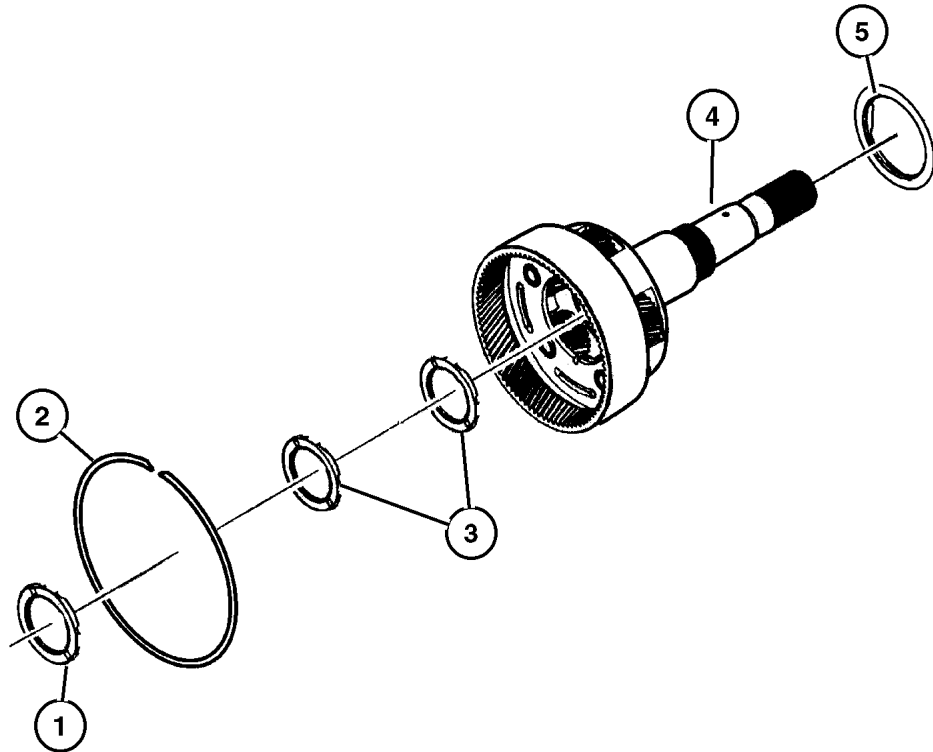
JEEP GRAND CHEROKEE (WJ)				
SERIES	LINE	BODY	ENGINE	TRANSMISSION
H = Laredo	J = 4WD	74 = 4 Door	ERH = 4.0L, Power Tech I-6	DGK = 4 Speed Autm, 42RE
M = Sport	T = 2WD		EVA = 4.7L, Power Tech V8	DGQ = 5 Speed Automatic, 45RFE
P = Limited			EVC = 4.7L HO V8 MPI	DG0 = All Automatic Transm
S = Overland			ERO = All 4.0L 6 Cyl Gas	
			EVO = All 4.7l Gas	

AR = Use as required - = Non illustrated part # = New this model year

May 1, 2002

**Input/Reverse Planetary [45RFE] [DGQ]
Figure 45RFE-450**

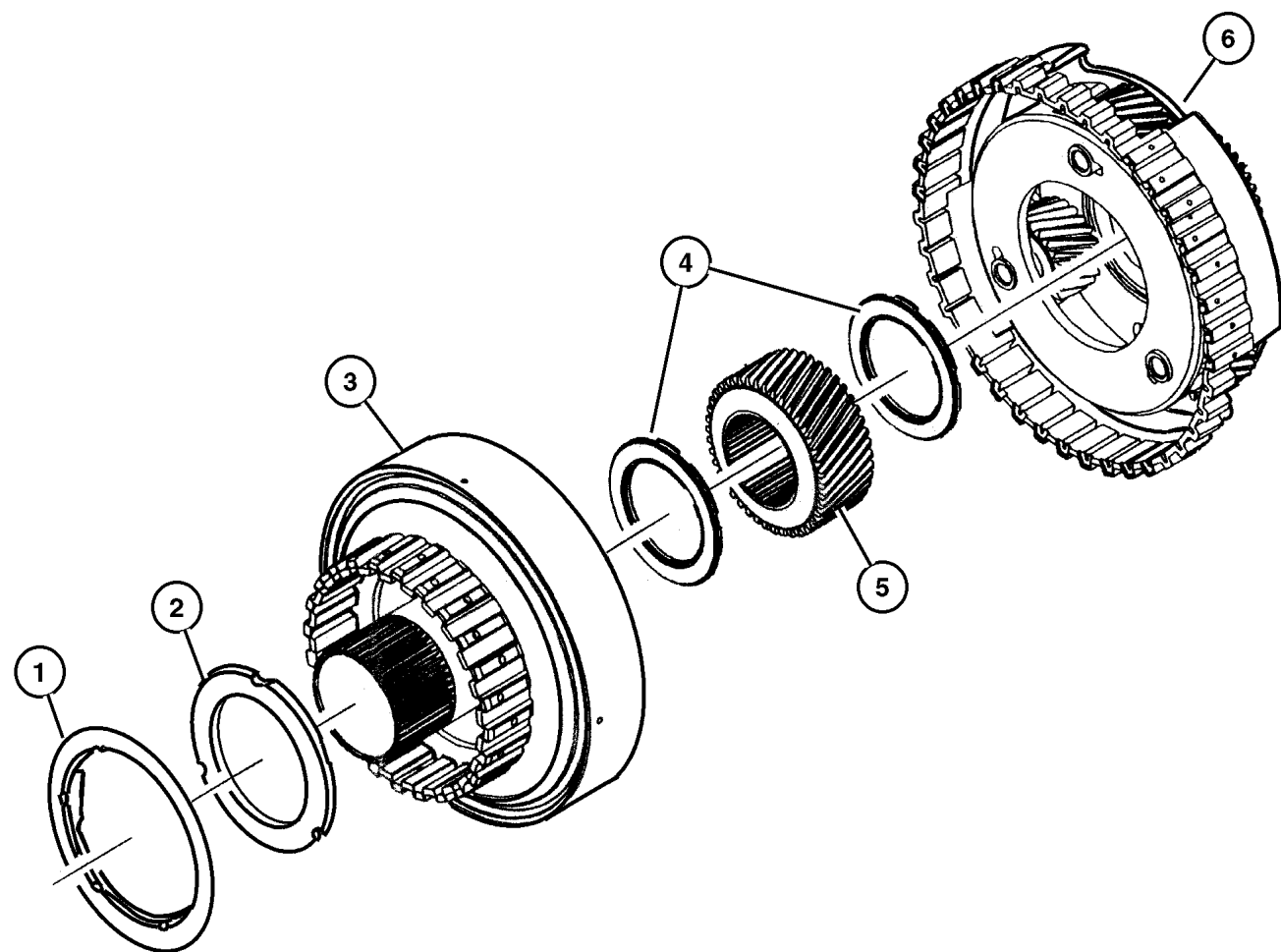
ITEM	PART NUMBER	QTY	LINE	SERIES	ENGINE	TRANS	DESCRIPTION
Notes: ake Shoe Return Spring Lower.							
DGQ = 45RFE Multi Speed Automatic Transmission ake Shoe Return Spring Lower.							
1							THRUST BEARING, Needle Roller
	4799 469	1	T			DGQ	
		1	J			DGQ	
2							SNAP RING
	4799 247	1	T			DGQ	
		1	J			DGQ	
3							THRUST BEARING, Needle Roller
	4799 469	1	T			DGQ	
		1	J			DGQ	
4							CARRIER, Input Complete
	#4799 500AB	1	T			DGQ	
		1	J			DGQ	
5							THRUST BEARING, Needle Roller
	4799 459	1	T			DGQ	
		1	J			DGQ	



JEEP GRAND CHEROKEE (WJ)				
SERIES	LINE	BODY	ENGINE	TRANSMISSION
H = Laredo	J = 4WD	74 = 4 Door	ERH = 4.0L, Power Tech I-6	DGK = 4 Speed Autm, 42RE
M = Sport	T = 2WD		EVA = 4.7L, Power Tech V8	DGQ = 5 Speed Automatic, 45RFE
P = Limited			EVC = 4.7L HO V8 MPI	DG0 = All Automatic Transm
S = Overland			ERO = All 4.0L 6 Cyl Gas	
			EVO = All 4.7l Gas	

AR = Use as required - = Non illustrated part # = New this model year

**Reaction Annulus/Sun Gear [45RFE] [DGQ]
Figure 45RFE-460**



ITEM	PART NUMBER	QTY	LINE	SERIES	ENGINE	TRANS	DESCRIPTION
NOTE; Sales Codes ake Shoe Return Spring Lower.							
[DGQ] = 5 Speed Automatic Transmission [45RFE] ake Shoe Return Spring Lower.							
1	4799 459	1	T			DGQ	THRUST BEARING, Needle Roller
		1	J			DGQ	
2							THRUST WASHER, Planetary Carrier, PKG 05013092AA, (NOT SERVICED)
3	4799 501	1	T			DGQ	GEAR, Annulus
		1	J			DGQ	
4	4799 469	1	T			DGQ	THRUST BEARING, Needle Roller
		1	J			DGQ	
5	4799 602	1	T			DGQ	GEAR, Reaction Sun
		1	J			DGQ	
6	4799 619	1	T			DGQ	CARRIER, Reaction Complete
		1	J			DGQ	

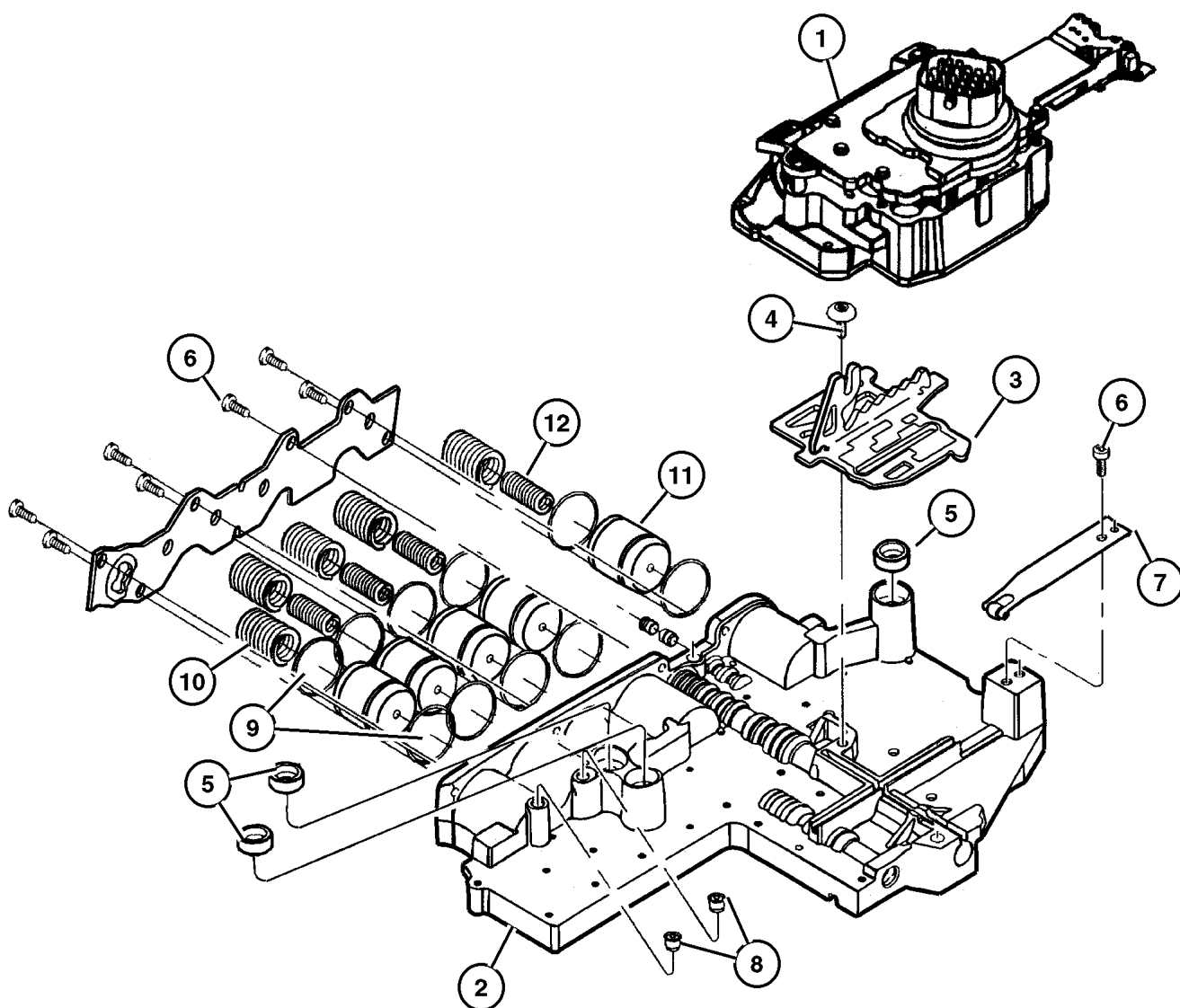
JEEP GRAND CHEROKEE (WJ)				
SERIES	LINE	BODY	ENGINE	TRANSMISSION
H = Laredo	J = 4WD	74 = 4 Door	ERH = 4.0L, Power Tech I-6	DGK = 4 Speed Autm, 42RE
M = Sport	T = 2WD		EVA = 4.7L, Power Tech V8	DGQ = 5 Speed Automatic, 45RFE
P = Limited			EVC = 4.7L HO V8 MPI	DG0 = All Automatic Transm
S = Overland			ERO = All 4.0L 6 Cyl Gas	
			EVO = All 4.7l Gas	

AR = Use as required - = Non illustrated part # = New this model year

May 1, 2002

Valve Body [45RFE] [DGQ]
Figure 45RFE-710

ITEM	PART NUMBER	QTY	LINE	SERIES	ENGINE	TRANS	DESCRIPTION
NOTE; Sales Codes ake Shoe Return Spring Lower.							
[DGQ] = 5 Speed Automatic Transmission [45RFE] ake Shoe Return Spring Lower.							
1							SOLENOID, Transmission
	4799 934AD	1	T			DGQ	
		1	J			DGQ	
2							VALVE BODY, Transfer Plate and Valve
	4799 588	1	T			DGQ	
		1	J			DGQ	
3							PLATE, Manual Valve Cam
	4799 654	1	T			DGQ	
		1	J			DGQ	
4							SCREW, Shoulder/Truss, M5x.8x12.5
	6501 710	1	T			DGQ	
		1	J			DGQ	
5							SEAL, Clutch Feed
	4799 778	3	T			DGQ	
		3	J			DGQ	
6							SCREW, Pan Head, M5 x 0.8 x 12.60
	6503 232	1	T			DGQ	
		1	J			DGQ	
7							DETENT, Valve Body
	4799 593	1	T			DGQ	
		1	J			DGQ	
8							BLEED ORIFICE, Transmission
	4799 086	2	T			DGQ	
		2	J			DGQ	
9							SEAL, Accumulator
	4446 544	10	T			DGQ	
		10	J			DGQ	
10							SPRING, Accumulator
	4471 880	5	T			DGQ	
		5	J			DGQ	
11							PISTON, 2nd and 4th Accumulator
	4446 620	5	T			DGQ	
		5	J			DGQ	
12							SPRING, Accumulator
	4567 575	4	T			DGQ	
		4	J			DGQ	
-13							BALL, Check
	4446 602	7	J			DGQ	
		7	T			DGQ	



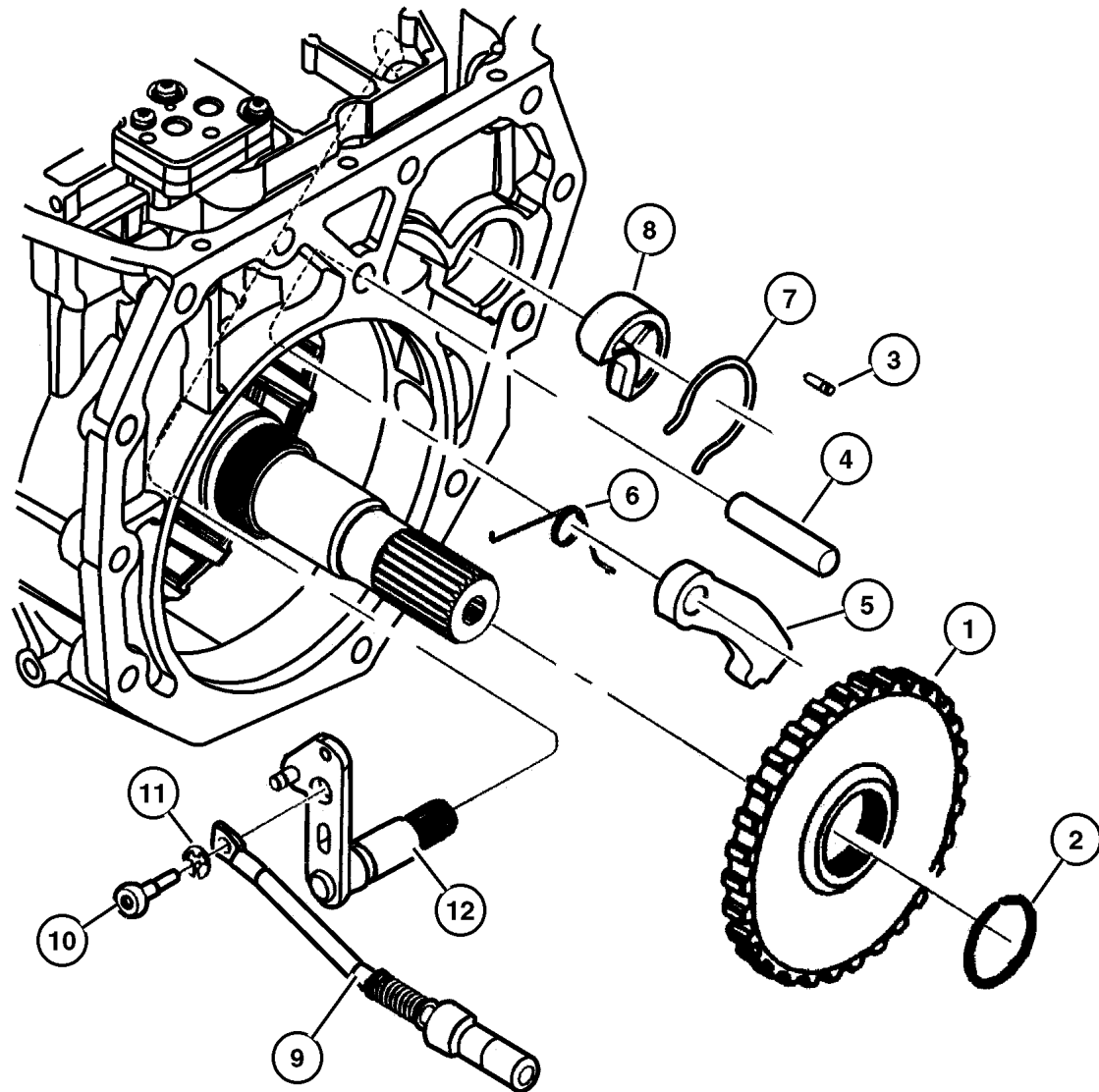
JEEP GRAND CHEROKEE (WJ)

SERIES	LINE	BODY	ENGINE	TRANSMISSION
H = Laredo	J = 4WD	74 = 4 Door	ERH = 4.0L, Power Tech I-6	DGK = 4 Speed Autm, 42RE
M = Sport	T = 2WD		EVA = 4.7L, Power Tech V8	DGQ = 5 Speed Automatic, 45RFE
P = Limited			EVC = 4.7L HO V8 MPI	DG0 = All Automatic Transm
S = Overland			ERO = All 4.0L 6 Cyl Gas	
			EVO = All 4.7l Gas	

AR = Use as required - = Non illustrated part # = New this model year

May 1, 2002

**Parking Sprag [45RFE] [DGQ]
Figure 45RFE-730**



ITEM	PART NUMBER	QTY	LINE	SERIES	ENGINE	TRANS	DESCRIPTION
NOTE; Sales Codes ake Shoe Return Spring Lower.							
[DGQ] = 5 Speed Automatic Transmission [45RFE] ake Shoe Return Spring Lower.							
1							SPRAG, Transmission Parking
	4799 493	1	T			DGQ	
		1	J			DGQ	
2							SNAP RING, Transmission
	4799 704	1	T			DGQ	
		1	J			DGQ	
3							PIN
	0456 636	1	T			DGQ	
		1	J			DGQ	
4							SHAFT, Parking Pawl
	4799 450	1	T			DGQ	
		1	J			DGQ	
5							PAWL, Parking Sprag
	4799 744AC	1	T			DGQ	
		1	J			DGQ	
6							SPRING, Torsion
	4799 451	1	T			DGQ	
		1	J			DGQ	
7							SNAP RING
	4799 313	1	T			DGQ	
		1	J			DGQ	
8							GUIDE, Parking Sprag Pawl
	4799 774	1	T			DGQ	
		1	J			DGQ	
9							ROD, Parking Sprag
	4799 611	1	T			DGQ	
		1	J			DGQ	
10							SCREW, M6x1x30
	6504 548	1	T			DGQ	
		1	J			DGQ	
11							SNAP RING, Rod
	6035 256	1	T			DGQ	
		1	J			DGQ	
12							LEVER, Shift Shaft
	4799 453	1	T			DGQ	
		1	J			DGQ	

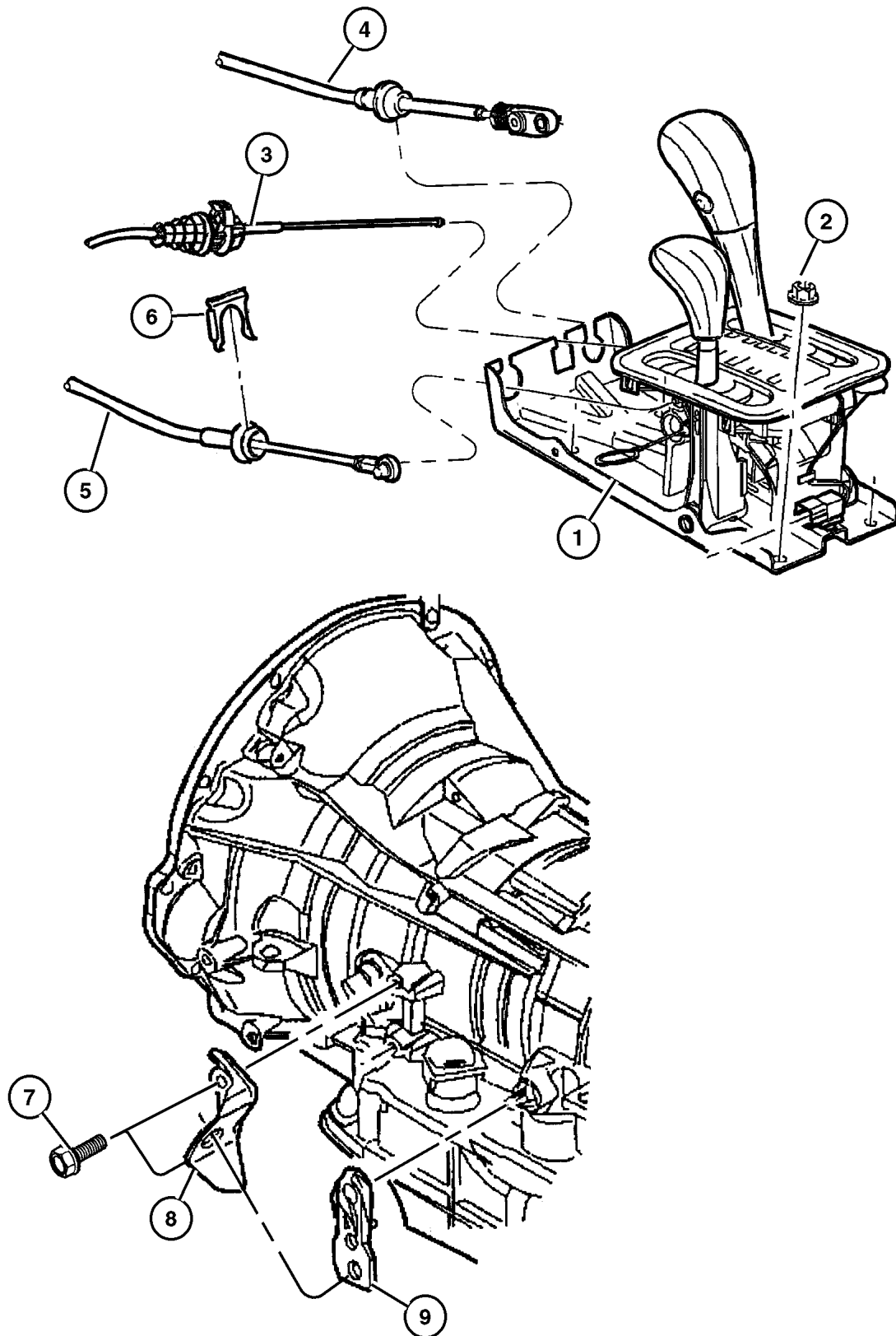
JEEP GRAND CHEROKEE (WJ)

SERIES	LINE	BODY	ENGINE	TRANSMISSION
H = Laredo	J = 4WD	74 = 4 Door	ERH = 4.0L, Power Tech I-6	DGK = 4 Speed Autm, 42RE
M = Sport	T = 2WD		EVA = 4.7L, Power Tech V8	DGQ = 5 Speed Automatic, 45RFE
P = Limited			EVC = 4.7L HO V8 MPI	DG0 = All Automatic Transm
S = Overland			ERO = All 4.0L 6 Cyl Gas	
			EVO = All 4.7l Gas	

AR = Use as required - = Non illustrated part # = New this model year

May 1, 2002

**Gearshift Controls [45RFE] [DGQ]
Figure 45RFE-1210**



ITEM	PART NUMBER	QTY	LINE	SERIES	ENGINE	TRANS	DESCRIPTION
NOTES: Sales Codes ake Shoe Return Spring Lower.							
[DGK] = 42RE 4 Speed Automatic Transmissions ake Shoe Return Spring Lower.							
[DGQ] = 45RFE 5 Speed Automatic Transmissions ake Shoe Return Spring Lower.							
[ER0] = All 4.0L Gas Engines ake Shoe Return Spring Lower.							
[EV0] = All 4.7L Gas Engines ake Shoe Return Spring Lower.							
[EVA] = Next Generation 4.7L Power Tech. ake Shoe Return Spring Lower.							
[EVC] = 4..7L Power Tech Ho ake Shoe Return Spring Lower.							
1							HOUSING AND LEVER, Shifter
	#52109 670AB	1	T		ER0, EVA, EVC	DGK, DGQ	
	#52109 672AB	1	J		ER0, EV0	DGK, DGQ	
	#52109 673AB	1	J		ER0, EVC, EV0	DGK, DGQ	[Heat Staked] With [DSB]
2	6101 695	4					NUT, Hex Flange Lock, M8x1.25
3	#52109 606AA	1				DG0	CABLE, Park Interlock
4	52104 060AC	1				DG0	CABLE, Gearshift Control
5	52104 218AB	1	J			DG0	CABLE, Gearshift Control
6	4269 830	2	J				CLIP, Cable
7	6101 758	2				DGQ	SCREW, Hex Head, M8x1.25x20
8	52104 371AB	1				DGQ	BRACKET, Shift Cable
9	5210 4177	1				DGQ	LEVER, Manual Control

JEEP GRAND CHEROKEE (WJ)				
SERIES	LINE	BODY	ENGINE	TRANSMISSION
H = Laredo	J = 4WD	74 = 4 Door	ERH = 4.0L, Power Tech I-6	DGK = 4 Speed Autm, 42RE
M = Sport	T = 2WD		EVA = 4.7L, Power Tech V8	DGQ = 5 Speed Automatic, 45RFE
P = Limited			EVC = 4.7L HO V8 MPI	DG0 = All Automatic Transm
S = Overland			ER0 = All 4.0L 6 Cyl Gas	
			EVO = All 4.7l Gas	

AR = Use as required - = Non illustrated part # = New this model year

LR Clutch [45RFE] [DGQ]
Figure 45RFE-1302

LR CLUTCH PACKAGE 05013091aa

	D-ring, external (L/R piston outer)
	D-ring, internal (L/R piston inner)
(6)	Plate, clutch separator (1.74mm thk)
(6)	Disc assy, clutch (L/R)
	Snap ring, flat (1.5/1.6 thk)
	Snap ring, flat (2.03/2.13 thk)
	Snap ring, flat (2.54/2.68 thk)
(2)	Retainer, c-clip

1

ITEM	PART NUMBER	QTY	LINE	SERIES	ENGINE	TRANS	DESCRIPTION
1							CLUTCH PACKAGE, Automatic Transmission, Low/Reverse
	5013 091AA	1	T			DGQ	
		1	J			DGQ	

JEEP GRAND CHEROKEE (WJ)

SERIES	LINE	BODY	ENGINE	TRANSMISSION
H = Laredo	J = 4WD	74 = 4 Door	ERH = 4.0L, Power Tech I-6	DGK = 4 Speed Autm, 42RE
M = Sport	T = 2WD		EVA = 4.7L, Power Tech V8	DGQ = 5 Speed Automatic, 45RFE
P = Limited			EVC = 4.7L HO V8 MPI	DG0 = All Automatic Transm
S = Overland			ERO = All 4.0L 6 Cyl Gas	
			EVO = All 4.7l Gas	

AR = Use as required - = Non illustrated part # = New this model year

May 1, 2002

**Input Clutch Plate [45RFE] [DGQ]
Figure 45RFE-1303**

SELECTIVE THRUST PLATES 05013093aa
INPUT CLUTCH THRUST PLATE PKG

Thrust plate, input clutc 1.52 / 1.61
Thrust plate, input clutc 1.66 / 1.75
Thrust plate, input clutc 1.80 / 1.89
Thrust plate, input clutc 1.94 / 2.03
Thrust plate, input clutc 2.08 / 2.17
Thrust plate, input clutc 2.22 / 2.31
Thrust plate, input clutc 2.36 / 2.45
Thrust plate, input clutc 2.50 / 2.59
Thrust plate, input clutc 2.64 / 2.73
Thrust plate, input clutc 2.78 / 2.87
Thrust plate, input clutc 2.92 / 3.01
Thrust plate, input clutc 3.06 / 3.15
Thrust plate, input clutc 3.20 / 3.29
Thrust plate, input clutc 3.34 / 3.43
Thrust plate, input clutc 3.62 / 3.71

1

ITEM	PART NUMBER	QTY	LINE	SERIES	ENGINE	TRANS	DESCRIPTION
------	-------------	-----	------	--------	--------	-------	-------------

NOTE; Sales Codes ake Shoe Return Spring Lower.
[DGQ] = 5 Speed Automatic Transmission [45RFE] ake Shoe Return Spring Lower.

1	5013 093AA	1	T			DGQ	PLATE PACKAGE, Input Clutch Thrust
		1	J			DGQ	

JEEP GRAND CHEROKEE (WJ)		BODY	ENGINE	TRANSMISSION
SERIES	LINE	74 = 4 Door	ERH = 4.0L, Power Tech I-6	DGK = 4 Speed Autm, 42RE
H = Laredo	J = 4WD		EVA = 4.7L, Power Tech V8	DGQ = 5 Speed Automatic, 45RFE
M = Sport	T = 2WD		EVC = 4.7L HO V8 MPI	DG0 = All Automatic Transm
P = Limited			ERO = All 4.0L 6 Cyl Gas	
S = Overland			EVO = All 4.7l Gas	

AR = Use as required - = Non illustrated part # = New this model year

O/H [45RFE] [DGQ]
Figure 45RFE-1304

O/H seal/gasket package

05014221ac

1

	2&4 clutch package	
	Input clutch package	
	L/R clutch package	
	Sump filter & seal package	
	Cooler filter	
	fill tube sea	
	Frt pmp cover o-ring/seal assy	
	Rotating shaft seal,pmp hsg	
	Adapter seal, 4x4	
	Extension seal,4x2	
	Manual lever seal	
(2)	Speed sensor seal	
	Reaction supt ring seal	
	Rev O/D clutch filter	
(10)	Accumulator ring seal	
(3)	Valve body seal	
	Check valve o-ring	
	Solenoid insulator seal	
	T/C seal	

ITEM	PART NUMBER	QTY	LINE	SERIES	ENGINE	TRANS	DESCRIPTION
------	-------------	-----	------	--------	--------	-------	-------------

NOTE; Sales Codes ake Shoe Return Spring Lower.

[DGQ] = 5 Speed Automatic Transmission [45RFE] ake Shoe Return Spring Lower.

1	5014 221AG	1	T			DGQ	OVERHAUL PACKAGE, Transmission
		1	J			DGQ	

JEEP GRAND CHEROKEE (WJ)

SERIES	LINE	BODY	ENGINE	TRANSMISSION
H = Laredo	J = 4WD	74 = 4 Door	ERH = 4.0L, Power Tech I-6	DGK = 4 Speed Autm, 42RE
M = Sport	T = 2WD		EVA = 4.7L, Power Tech V8	DGQ = 5 Speed Automatic, 45RFE
P = Limited			EVC = 4.7L HO V8 MPI	DG0 = All Automatic Transm
S = Overland			ERO = All 4.0L 6 Cyl Gas	
			EVO = All 4.7l Gas	

AR = Use as required - = Non illustrated part # = New this model year

May 1, 2002

**Input Clutch [45RFE] [DGQ]
Figure 45RFE-1305**

INPUT CLUTCH PACKAGE

05013090aa

1

	O-ring, large (2.62mm x 79.84 ID,gm)
	O-ring, small (2.62mm x 70.56 ID,red)
(2)	Seal, internal lip
(2)	Ring seal, l-shaft
	O-ring, piston inner (2.62mm x 93.54 ID)
(5)	Plate, clutch separator (1.74mm thk)
(4)	Disc assy, clutch (u/d clutch)
(4)	Disc assy, clutch (o/d clutch)
(3)	PLate, clutch separator (2.21mm thk, O/D)
(2)	Disc assy, clutch (rev clutch)
	Snap ring,tapered, internal butterfly end
	Snap ring, flat (1.5/1.6 thk)
	Snap ring, flat (1.80/1.90 thk)
	Snap ring, flat (2.15/2.25 thk)
	Piston & seal, underdrive
	Piston & seal, underdrive balance

ITEM	PART NUMBER	QTY	LINE	SERIES	ENGINE	TRANS	DESCRIPTION
------	-------------	-----	------	--------	--------	-------	-------------

NOTE; Sales Codes ake Shoe Return Spring Lower.

[DGQ] = 5 Speed Automatic Transmission [45RFE] ake Shoe Return Spring Lower.

1							CLUTCH PACKAGE, Automatic Transmission, Input
	5013 090AB	1	T			DGQ	
		1	J			DGQ	

JEEP GRAND CHEROKEE (WJ)

SERIES	LINE	BODY	ENGINE	TRANSMISSION
H = Laredo	J = 4WD	74 = 4 Door	ERH = 4.0L, Power Tech I-6	DGK = 4 Speed Autm, 42RE
M = Sport	T = 2WD		EVA = 4.7L, Power Tech V8	DGQ = 5 Speed Automatic, 45RFE
P = Limited			EVC = 4.7L HO V8 MPI	DG0 = All Automatic Transm
S = Overland			ERO = All 4.0L 6 Cyl Gas	
			EVO = All 4.7I Gas	

AR = Use as required - = Non illustrated part # = New this model year

May 1, 2002

**Planetary Plate [45RFE] [DGQ]
Figure 45RFE-1306**

**SELECTIVE THRUST PLATES
PLANETARY THRUST PLATE PKG 05013092aa**

	Thrust plate, planetary	1.62 / 1.75
	Thrust plate, planetary	1.81 / 1.94
	Thrust plate, planetary	1.96 / 2.09
	Thrust plate, planetary	2.11 / 2.24
	Thrust plate, planetary	2.26 / 2.39
	Thrust plate, planetary	2.41 / 2.54
	Thrust plate, planetary	2.56 / 2.69
	Thrust plate, planetary	2.71 / 2.84
	Thrust plate, planetary	2.86 / 2.99
	Thrust plate, planetary	3.01 / 3.14
	Thrust plate, planetary	3.16 / 3.29
	Thrust plate, planetary	3.31 / 3.44
	Thrust plate, planetary	3.46 / 3.59
	Thrust plate, planetary	3.61 / 3.74
	Thrust plate, planetary	3.76 / 3.89
	Thrust plate, planetary	3.91 / 4.04
	Thrust plate, planetary	4.06 / 4.19
	Thrust plate, planetary	4.21 / 4.34
	Thrust plate, planetary	4.36 / 4.49

①

ITEM	PART NUMBER	QTY	LINE	SERIES	ENGINE	TRANS	DESCRIPTION
------	-------------	-----	------	--------	--------	-------	-------------

NOTE; Sales Codes ake Shoe Return Spring Lower.
 [DGQ] = 5 Speed Automatic Transmission [45RFE] ake Shoe Return Spring Lower.
 1 PLATE PACKAGE, Planetary Thrust
 5013 092AA 1 T DGQ
 1 J DGQ

JEEP GRAND CHEROKEE (WJ)			
SERIES	LINE	BODY	ENGINE
H = Laredo	J = 4WD	74 = 4 Door	ERH = 4.0L, Power Tech I-6
M = Sport	T = 2WD		EVA = 4.7L, Power Tech V8
P = Limited			EVC = 4.7L HO V8 MPI
S = Overland			ERO = All 4.0L 6 Cyl Gas
			EVO = All 4.7l Gas
			TRANSMISSION
			DGK = 4 Speed Autm, 42RE
			DGQ = 5 Speed Automatic, 45RFE
			DG0 = All Automatic Transm

**2&4 Clutch [45RFE] [DGQ]
Figure 45RFE-1310**

2&4 CLUTCH PACKAGE 05013087aa

(2)	Disc assy, clutch (2nd clutch)
(2)	Plate, clutch separator
	D-ring, external (2nd outer)
	D-ring, internal (2nd inner)
	D-ring, internal (4th outer)
	D-ring, internal (4th inner)
(3)	Plate, clutch separator (4th clutch)
(3)	Disc assy, clutch (4th clutch)
	Snap ring (4th, 1.74/1.84 thk)
	Snap ring (4th, 2.15/2.25 thk)
	Snap ring (4th, 2.56/2.66 thk)

①

ITEM	PART NUMBER	QTY	LINE	SERIES	ENGINE	TRANS	DESCRIPTION
------	-------------	-----	------	--------	--------	-------	-------------

NOTE; Sales Codes ake Shoe Return Spring Lower.

[DGQ] = 5 Speed Automatic Transmission [45RFE] ake Shoe Return Spring Lower.

1	5013 087AB	1	T			DGQ	CLUTCH PACKAGE, Automatic Transmission, 2/4
		1	J			DGQ	

JEEP GRAND CHEROKEE (WJ)

SERIES	LINE	BODY	ENGINE	TRANSMISSION
H = Laredo	J = 4WD	74 = 4 Door	ERH = 4.0L, Power Tech I-6	DGK = 4 Speed Autm, 42RE
M = Sport	T = 2WD		EVA = 4.7L, Power Tech V8	DGQ = 5 Speed Automatic, 45RFE
P = Limited			EVC = 4.7L HO V8 MPI	DG0 = All Automatic Transm
S = Overland			ERO = All 4.0L 6 Cyl Gas	
			EVO = All 4.7I Gas	

AR = Use as required - = Non illustrated part # = New this model year

May 1, 2002

Group – 242

Transfer Case Model 242

GROUP 242 - Transfer Case Model 242

Illustration Title

Group-Fig. No.

Transfer Case Assembly

Transfer Case Select Trac [DHP] Fig. 242-110

Case and Related Parts

Case and Related Parts Select Trac [DHP] Fig. 242-210

Gear Train

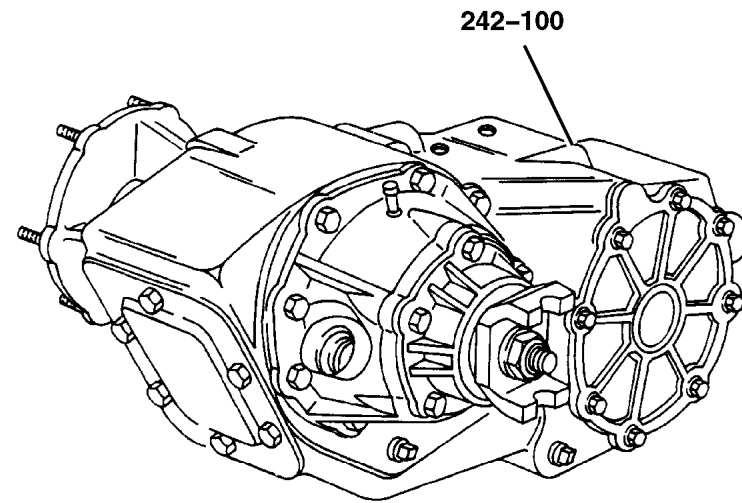
Gear Train Select Trac [DHP] Fig. 242-410

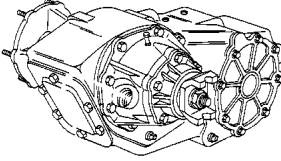
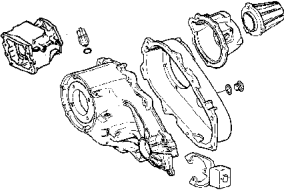
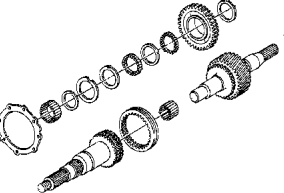
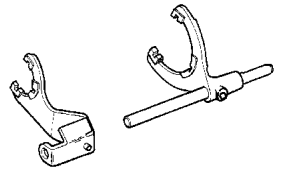

Fork and Rails

Fork and Rails Select Trac [DHP] Fig. 242-910

Gearshift Controls

Gearshift Controls Select Trac [DHP] Fig. 242-1210



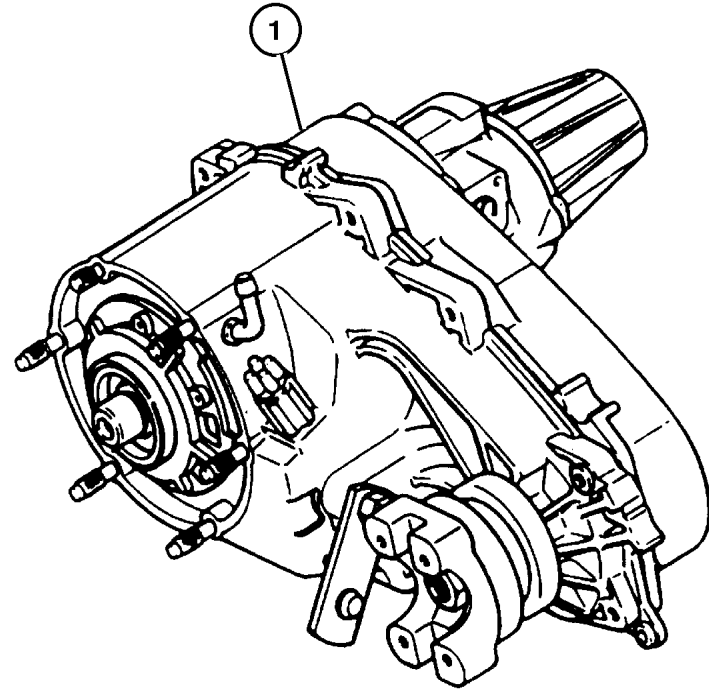
<p>242-100 Transfer Case Assembly</p> 	<p>242-200 Case and Related Parts</p> 	<p>242-400 Gear Train</p> 	<p>242-900 Fork and Rails</p> 
<p>242-1200 Gearshift Controls</p> 			

**Transfer Case Select Trac [DHP]
Figure 242-110**

ITEM	PART NUMBER	QTY	LINE	SERIES	ENGINE	TRANS	DESCRIPTION
------	-------------	-----	------	--------	--------	-------	-------------

NOTES: Sales Codes ake Shoe Return Spring Lower.
 [ER0] = All 4.0L 6 Cylinder Gas Engines ake Shoe Return Spring Lower.
 [EV0] = All 4.7L Gas Engines ake Shoe Return Spring Lower.

1							TRANSFER CASE, NP242
	#52099 361AC	1	J		ER0		
	#52099 362AC	1	J		EVO		

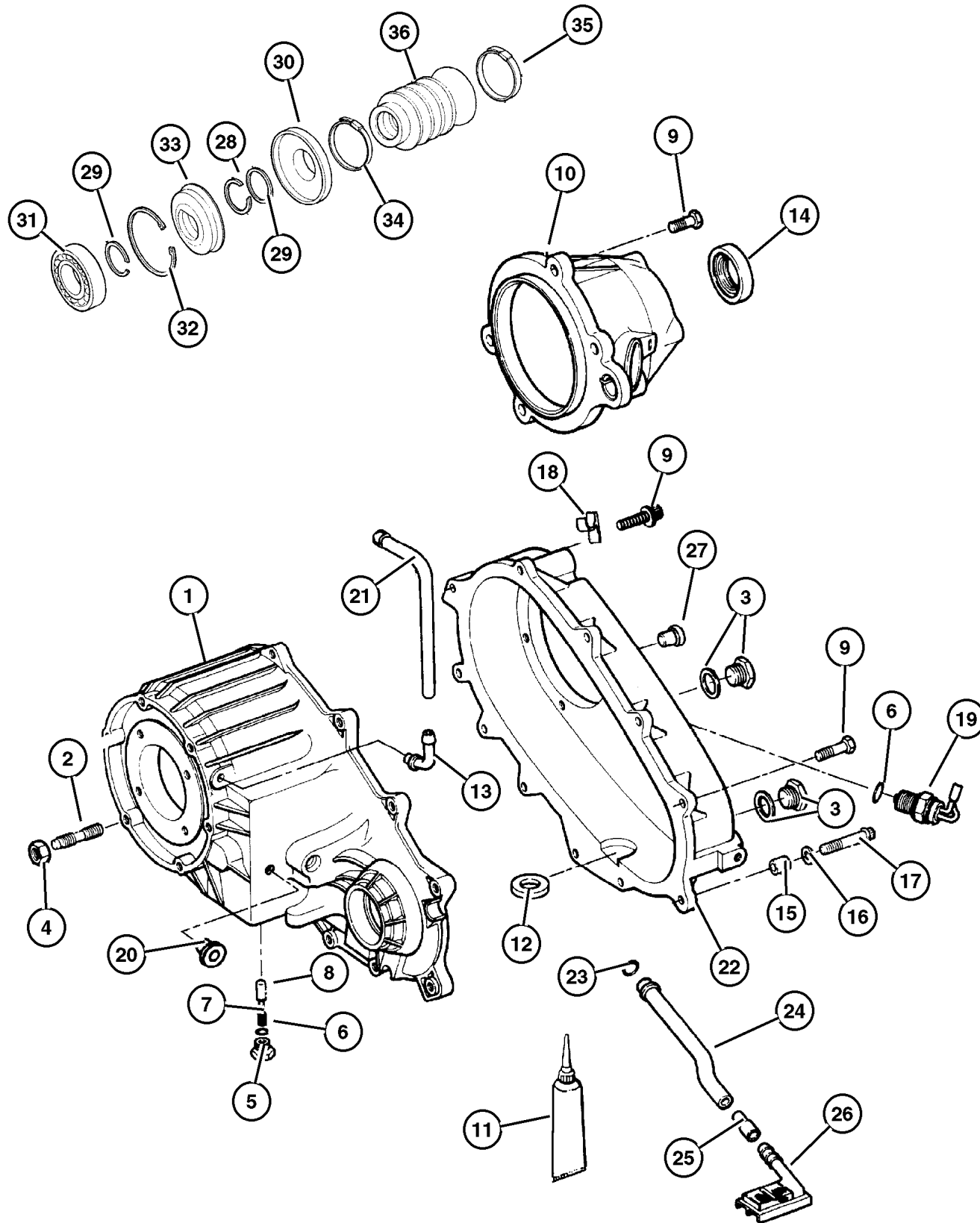


JEEP GRAND CHEROKEE (WJ)			ENGINE		TRANSMISSION	
SERIES	LINE	BODY				
H = Laredo	J = 4WD	74 = 4 Door	ERH = 4.0L, Power Tech I-6	DGK = 4 Speed Autm, 42RE		
M = Sport	T = 2WD		EVA = 4.7L, Power Tech V8	DGQ = 5 Speed Automatic, 45RFE		
P = Limited			EVC = 4.7L HO V8 MPI	DG0 = All Automatic Transm		
S = Overland			ERO = All 4.0L 6 Cyl Gas			
			EVO = All 4.7l Gas			

AR = Use as required - = Non illustrated part # = New this model year

May 1, 2002

**Case and Related Parts Select Trac [DHP]
Figure 242-210**



ITEM	PART NUMBER	QTY	LINE	SERIES	ENGINE	TRANS	DESCRIPTION
------	-------------	-----	------	--------	--------	-------	-------------

NOTES: Sales Codes ake Shoe Return Spring Lower.

[ER0] = All 4.0L 6 Cylinder Gas Engines ake Shoe Return Spring Lower.

[EV0] = All 4.7L Gas Engines ake Shoe Return Spring Lower.

1	5014 045AA	1	J		ER0		CASE, Transfer Front
		1	J		EV0		
2	5012 310AA	6	J		EV0		STUD
	4505 365	6	J		ER0		
3	4856 641	1	J		ER0		PLUG, Oil Fill
		1	J		EV0		
4	6033 172	6	J				NUT AND WASHER, Hex, .375-24
5	4886 473AA	1	J		ER0		SCREW
		1	J		EV0		
6	4338 956	1	J		ER0		SEAL, Vacuum Switch
		1	J		EV0		
7	5003 445AA	1	J		ER0		SPRING, Poppet Plunger
		1	J		EV0		
8	5003 444AA	1	J		ER0		PLUNGER
		1	J		EV0		
9	4210 617	8	J		EV0		BOLT, Transfer Case
		6	J		ER0		
		4	J		ER0		
		4	J		EV0		
10	5012 347AA	1	J		ER0		RETAINER, Transfer Case Rear
	5003 456AA	1	J		EV0		
11	5010 884AA	1	J		ER0		SEALANT, RTV
		1	J		EV0		
12	3681 601	1	J		ER0		MAGNET, Transmission
		1	J		EV0		
13	4796 910	1	J		ER0		VENT, Transfer Case

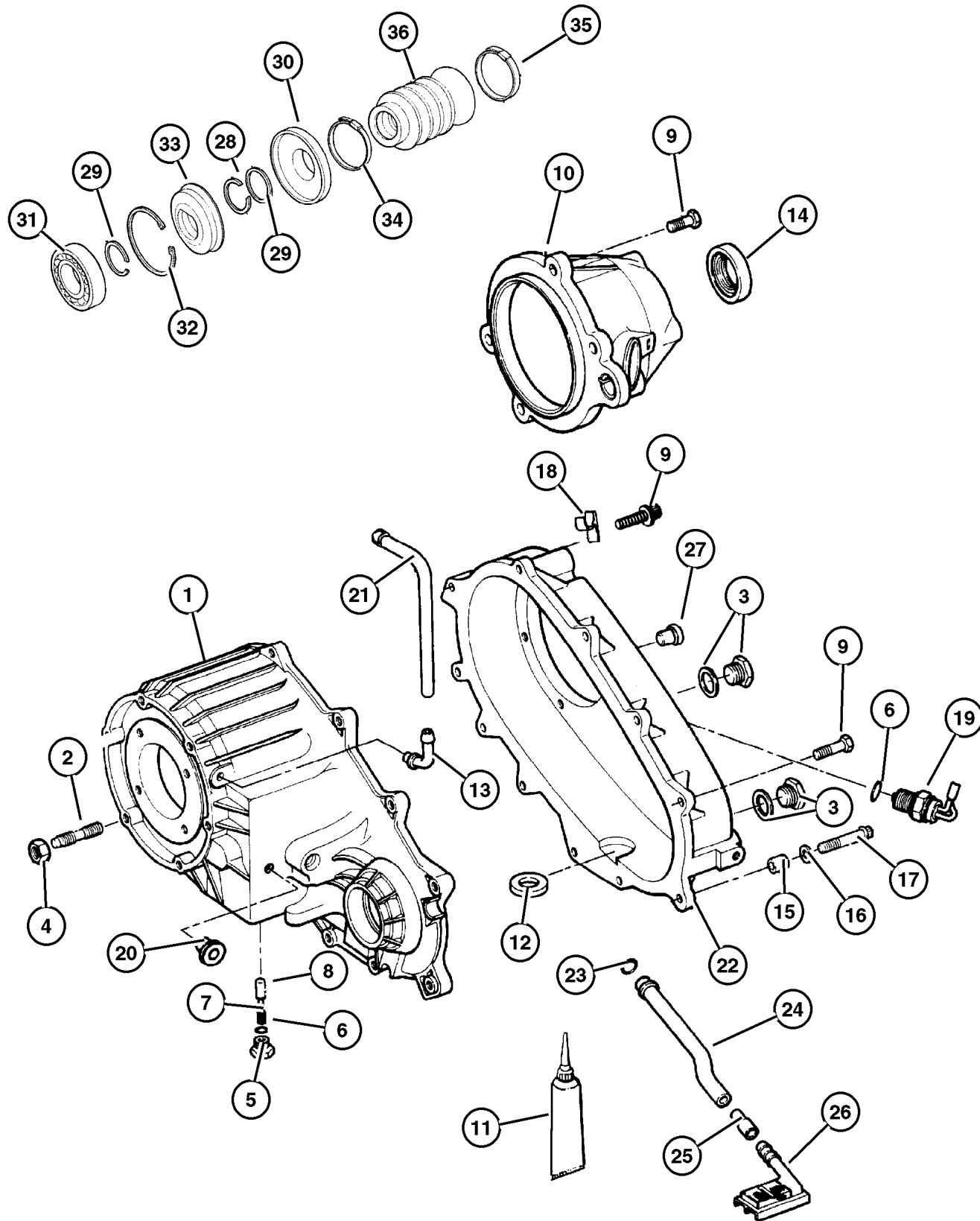
JEEP GRAND CHEROKEE (WJ)

SERIES	LINE	BODY	ENGINE	TRANSMISSION
H = Laredo	J = 4WD	74 = 4 Door	ERH = 4.0L, Power Tech I-6	DGK = 4 Speed Autm, 42RE
M = Sport	T = 2WD		EVA = 4.7L, Power Tech V8	DGQ = 5 Speed Automatic, 45RFE
P = Limited			EVC = 4.7L HO V8 MPI	DG0 = All Automatic Transm
S = Overland			ER0 = All 4.0L 6 Cyl Gas	
			EV0 = All 4.7L Gas	

AR = Use as required - = Non illustrated part # = New this model year

May 1, 2002

Case and Related Parts Select Trac [DHP]
Figure 242-210



ITEM	PART NUMBER	QTY	LINE	SERIES	ENGINE	TRANS	DESCRIPTION
		1	J		EVO		
14							SEAL, Output Shaft
	4798 125	1	J		ERO		
		1	J		EVO		
15							DOWEL, Transfer Case
	4116 310	2	J		ERO		
		2	J		EVO		
16							WASHER, Flat
	4210 983	2	J		ERO		
		2	J		EVO		
17							BOLT, Hex Flange Head
	4210 614	2	J		EVO		
		2	J		ERO		
18							CLIP, (NOT REQUIRED)
19							SWITCH KIT, Transfer Case, 5 Position
	#5072 435AA	1	J		EVO		
		1	J		ERO		
20							PLUG
	0015 105	1	J		ERO		
		1	J		EVO		
21	52099 366AD	1	J				VENT, Transfer Case
22							CASE, Transfer Case Rear
	4886 373AA	1	J		ERO		
	5013 858AA	1	J		EVO		
23							SEAL, Oil
	4338 942	1	J		ERO		
		1	J		EVO		
24							TUBE, Oil Pickup
	5003 455AA	1	J		EVO		
	8350 3523	1	J		ERO		
25							CONNECTOR, Oil Tube Pickup
	4338 944	1	J		ERO		
		1	J		EVO		
26							FILTER, Transfer Case Oil
	4338 943	1	J		ERO		
		1	J		EVO		
27							BOLT, Twelve Point Head, M10x1.5x48
	J813 0979	3	J		ERO		
		1	J		EVO		
28							SNAP RING, (NOT REQUIRED)
29							WASHER, (NOT REQUIRED)

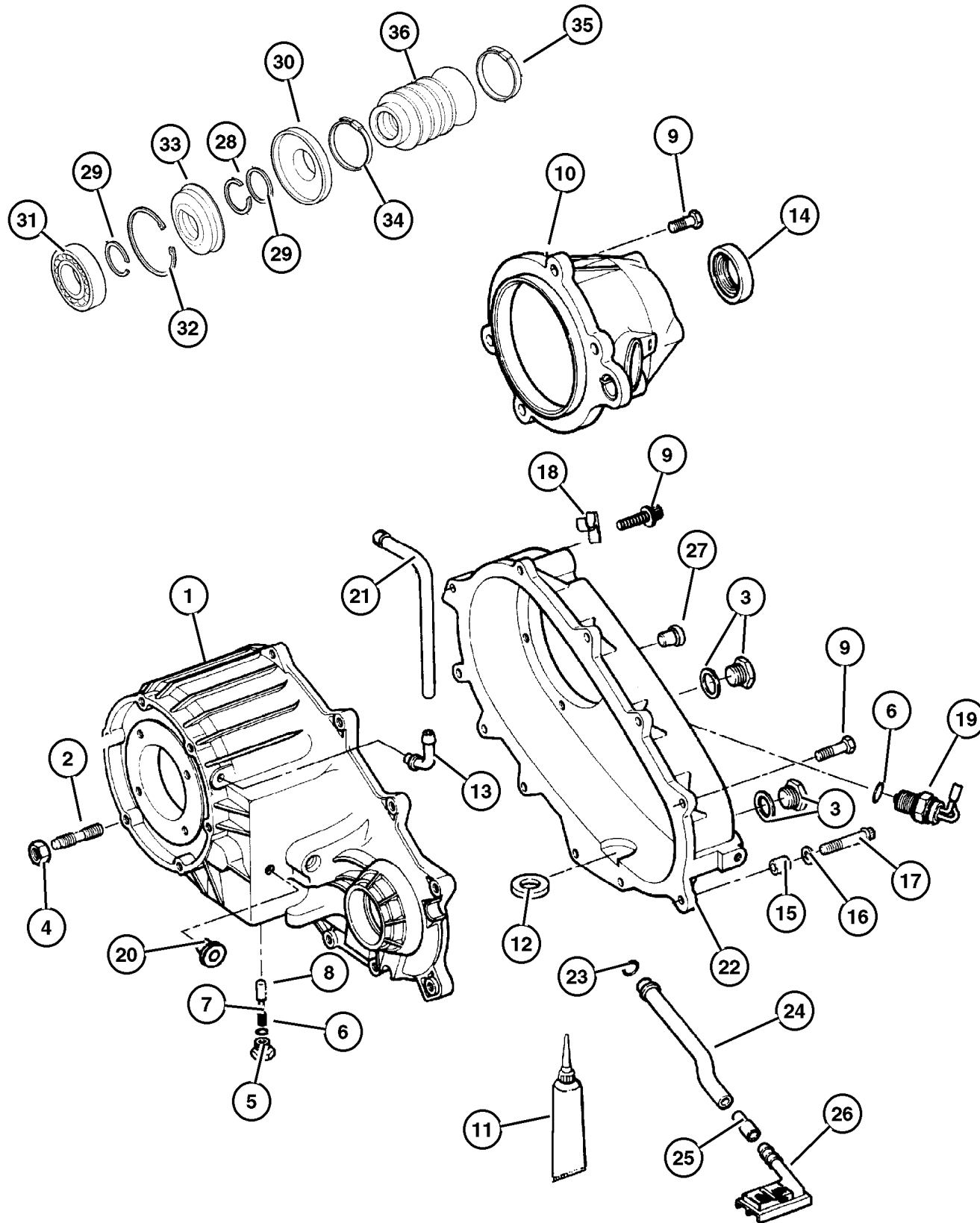
JEEP GRAND CHEROKEE (WJ)

SERIES	LINE	BODY	ENGINE	TRANSMISSION
H = Laredo	J = 4WD	74 = 4 Door	ERH = 4.0L, Power Tech I-6	DGK = 4 Speed Autm, 42RE
M = Sport	T = 2WD		EVA = 4.7L, Power Tech V8	DGQ = 5 Speed Automatic, 45RFE
P = Limited			EVC = 4.7L HO V8 MPI	DG0 = All Automatic Transm
S = Overland			ERO = All 4.0L 6 Cyl Gas	
			EVO = All 4.7L Gas	

AR = Use as required - = Non illustrated part # = New this model year

May 1, 2002

Case and Related Parts Select Trac [DHP]
Figure 242-210



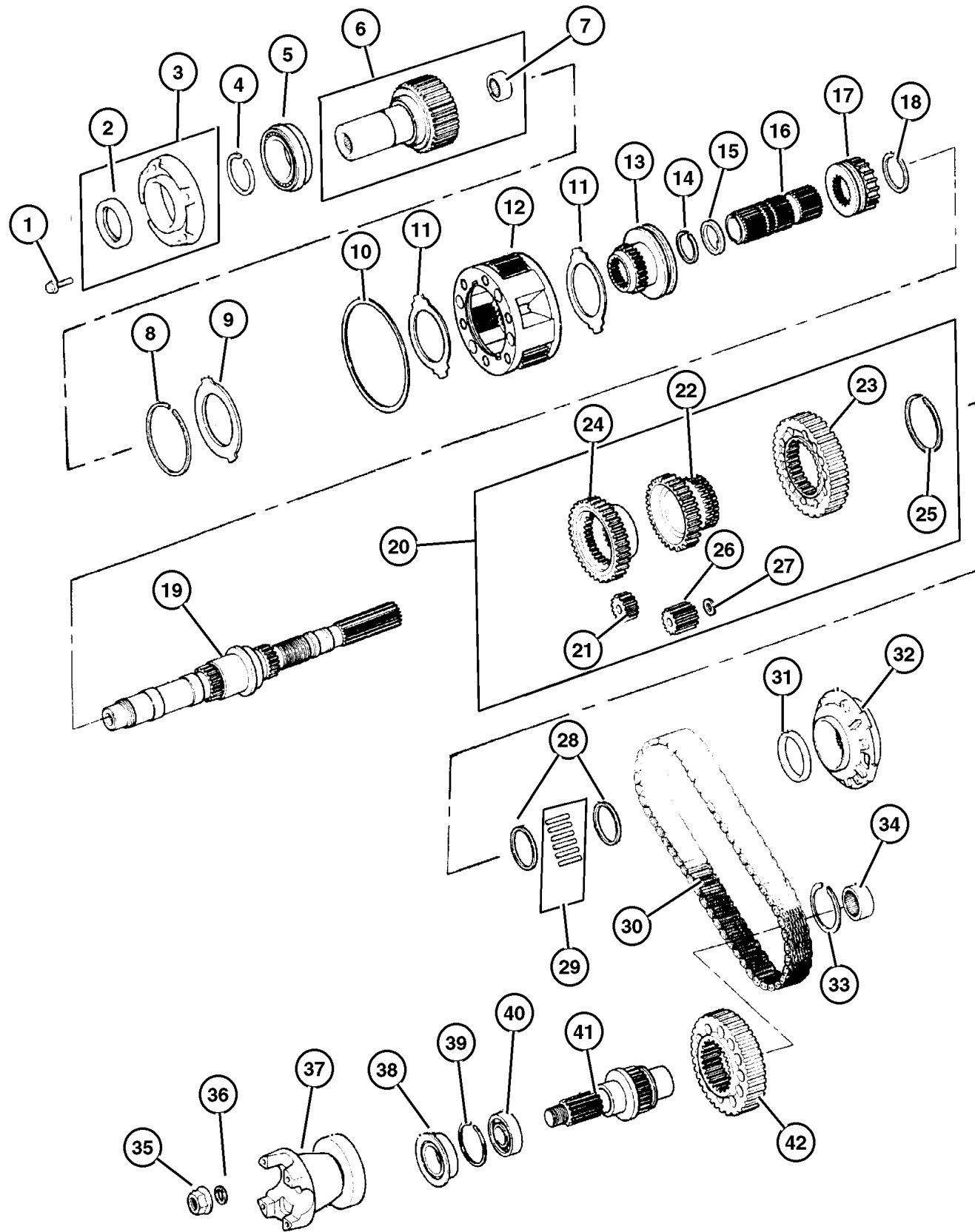
ITEM	PART NUMBER	QTY	LINE	SERIES	ENGINE	TRANS	DESCRIPTION
30	5016 615AA	1	J		ERO		SLINGER, Oil
31	4338 892	1	J		ERO		BEARING
32	4798 116	1	J		ERO		SNAP RING
33	5019 026AA	1	J		EVO		SEAL, Output Shaft
34	4798 122	1	J		ERO		CLAMP, Boot
35	4798 122	1	J		ERO		CLAMP, Boot
36	4798 123	1	J		ERO		BOOT, Driveshaft

JEEP GRAND CHEROKEE (WJ)				
SERIES	LINE	BODY	ENGINE	TRANSMISSION
H = Laredo	J = 4WD	74 = 4 Door	ERH = 4.0L, Power Tech I-6	DGK = 4 Speed Autm, 42RE
M = Sport	T = 2WD		EVA = 4.7L, Power Tech V8	DGQ = 5 Speed Automatic, 45RFE
P = Limited			EVC = 4.7L HO V8 MPI	DG0 = All Automatic Transm
S = Overland			ERO = All 4.0L 6 Cyl Gas	
			EVO = All 4.7I Gas	

AR = Use as required - = Non illustrated part # = New this model year

May 1, 2002

**Gear Train Select Trac [DHP]
Figure 242-410**



ITEM	PART NUMBER	QTY	LINE	SERIES	ENGINE	TRANS	DESCRIPTION
1	6500 318	4	J		EVO		BOLT
		4	J		ERO		
2	5019 020AA	1	J		ERO		SEAL, Input
		1	J		EVO		
3	4338 973	1	J		ERO		RETAINER
		1	J		EVO		
4	0893 31A	1	J		ERO		SNAP RING
		1	J		EVO		
5	4746 155	1	J		ERO		BEARING, Input Gear
		1	J		EVO		
6	5003 446AA	1	J		ERO		GEAR, Input
	5012 311AA	1	J		EVO		
7	8350 3507	1	J		ERO		BEARING, Input Shaft
		1	J		EVO		
8	4338 910	1	J		EVO		SNAP RING
		1	J		ERO		
9	4338 909	1	J		ERO		RING
		1	J		EVO		
10	4219 065	1	J		ERO		SNAP RING, Annulus Gear
		1	J		EVO		
11	4338 908	1	J		ERO		THRUST WASHER, Planetary Carrier
		1	J		EVO		
12	4796 903AB	1	J		ERO		PLANETARY, Transfer Case
		1	J		EVO		
13	5003 746AA	1	J		ERO		SLEEVE, Shift Range
	4798 279	1	J		EVO		
14	8350 3540	1	J		EVO		SNAP RING

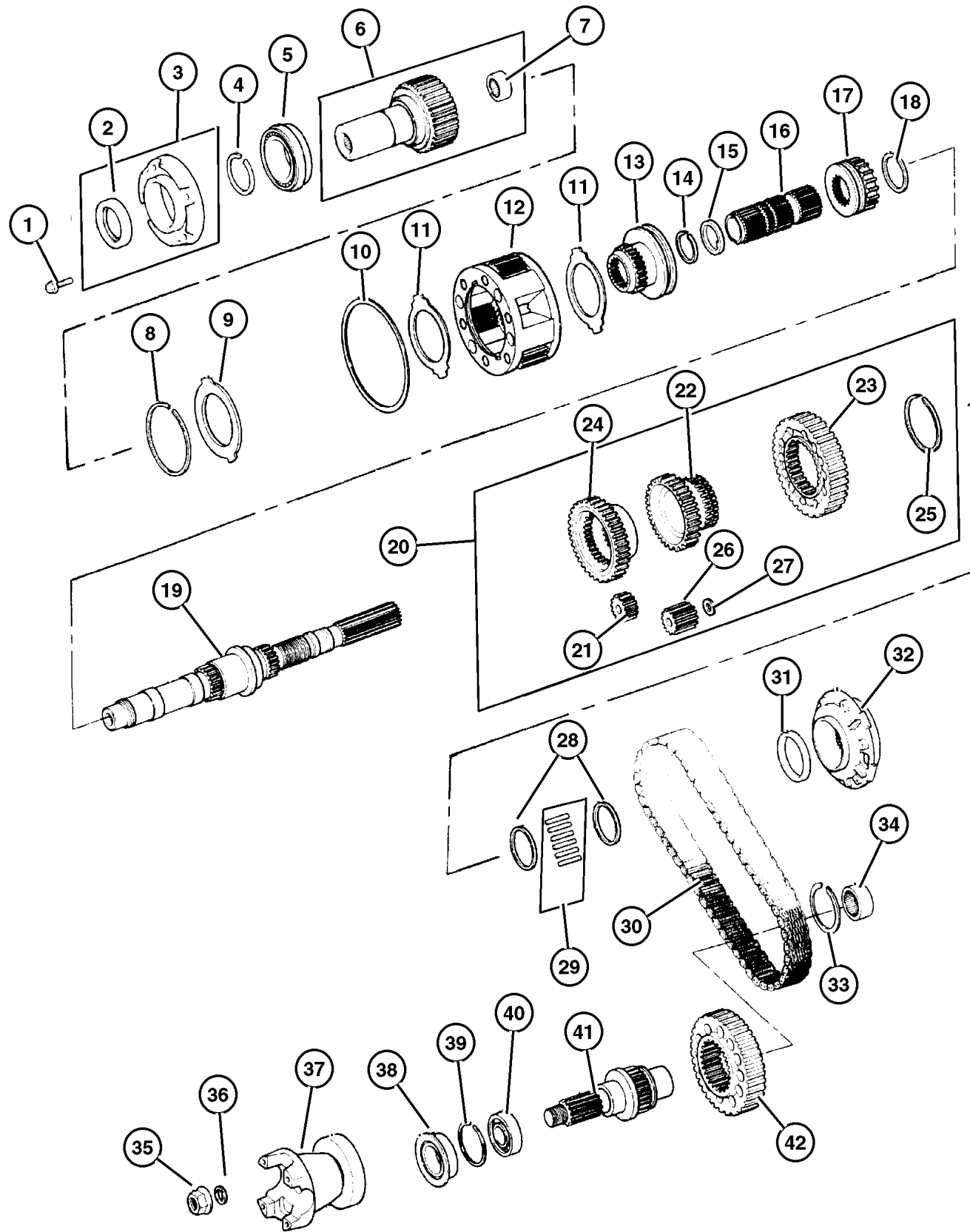
JEEP GRAND CHEROKEE (WJ)

SERIES	LINE	BODY	ENGINE	TRANSMISSION
H = Laredo	J = 4WD	74 = 4 Door	ERH = 4.0L, Power Tech I-6	DGK = 4 Speed Autm, 42RE
M = Sport	T = 2WD		EVA = 4.7L, Power Tech V8	DGQ = 5 Speed Automatic, 45RFE
P = Limited			EVC = 4.7L HO V8 MPI	DG0 = All Automatic Transm
S = Overland			ERO = All 4.0L 6 Cyl Gas	
			EVO = All 4.7I Gas	

AR = Use as required - = Non illustrated part # = New this model year

May 1, 2002

**Gear Train Select Trac [DHP]
Figure 242-410**



ITEM	PART NUMBER	QTY	LINE	SERIES	ENGINE	TRANS	DESCRIPTION
		1	J		ERO		
15	8350 3539	1	J		ERO		WASHER, Intermediate Sleeve
		1	J		EVO		
16	4798 277	1	J		ERO		SHAFT, Intermediate
		1	J		EVO		
17	8350 3542	1	J		ERO		SLEEVE, Mode Synchronizer
		1	J		EVO		
18	8350 3537	1	J		EVO		SNAP RING
		1	J		ERO		
19	5016 614AA	1	J		ERO		MAINSHAFT, Transfer Case
	5003 448AA	1	J		EVO		
20							DIFFERENTIAL, Transfer Case
	8350 3529	1	J		ERO		
	5003 449AB	1	J		EVO		
21	8350 4170	1	J		ERO		GEAR, Planetary
		1	J		EVO		
22	5003 452AA	1	J		EVO		SPROCKET, Transfer Case
	8350 3531	1	J		ERO		
23	8350 3536	1	J		ERO		SPROCKET, Differential
		1	J		EVO		
24	8350 3530	1	J		ERO		GEAR, Differential Drive
	5003 450AA	1	J		EVO		
25	8350 3532	1	J		EVO		SNAP RING
		1	J		ERO		
26	8350 4169	3	J		EVO		GEAR, Planetary
		3	J		ERO		
27	8350 4168	12	J		EVO		WASHER, Differential Gear
		12	J		ERO		
28							SPACER, Sprocket, (NOT REQUIRED)
29							NEEDLE BEARING, Roller Cage, None

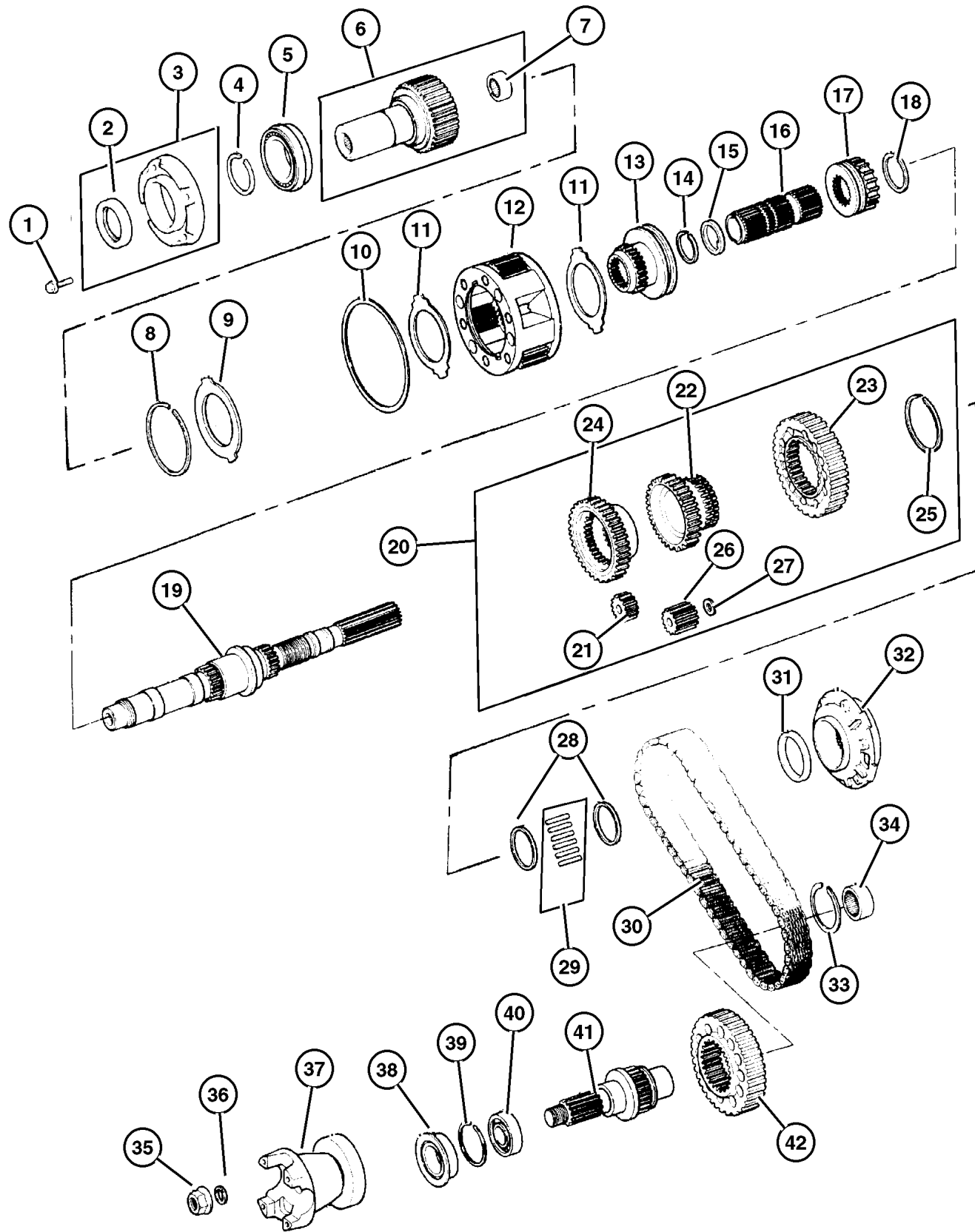
JEEP GRAND CHEROKEE (WJ)

SERIES	LINE	BODY	ENGINE	TRANSMISSION
H = Laredo	J = 4WD	74 = 4 Door	ERH = 4.0L, Power Tech I-6	DGK = 4 Speed Autm, 42RE
M = Sport	T = 2WD		EVA = 4.7L, Power Tech V8	DGQ = 5 Speed Automatic, 45RFE
P = Limited			EVC = 4.7L HO V8 MPI	DG0 = All Automatic Transm
S = Overland			ERO = All 4.0L 6 Cyl Gas	
			EVO = All 4.7l Gas	

AR = Use as required - = Non illustrated part # = New this model year

May 1, 2002

**Gear Train Select Trac [DHP]
Figure 242-410**



ITEM	PART NUMBER	QTY	LINE	SERIES	ENGINE	TRANS	DESCRIPTION
	5066 996AA	1	J		EVO		
	5072 910AA	1	J		ERO		
30	5003 453AA	1	J		EVO		CHAIN, Transfer Case
	8350 4575	1	J		ERO		
31	4210 603	1	J		ERO		SEAL, Main Shaft
32	4338 936	1	J		ERO		PUMP, Transfer Case Oil
33							SNAP RING, Bearing
	4167 991	1	J		ERO		
		1	J		EVO		
34							BEARING, Output Shaft
	4269 189	1	J		EVO		
		1	J		ERO		
35							NUT, Transfer Case Yoke
	4167 924	1	J		EVO		
		1	J		ERO		
36							WASHER, Transfer Case Yoke
	4210 973	1	J		EVO		
		1	J		ERO		
37							YOKE, Transfer Case
	5012 308AA	1	J		EVO		
		1	J		ERO		
38							SEAL, Output Shaft
	4798 125	1	J		ERO		
		1	J		EVO		
39							SNAP RING
	0893 31A	1	J		EVO		
		1	J		ERO		
40							BEARING, Output Shaft
	2466 224	1	J		EVO		
		1	J		ERO		
41							OUTPUT SHAFT, Transfer Case
	5012 336AA	1	J		ERO		
		1	J		EVO		
42							SPROCKET, Transfer Case
	5003 452AA	1	J		EVO		
	8350 3518	1	J		ERO		

JEEP GRAND CHEROKEE (WJ)

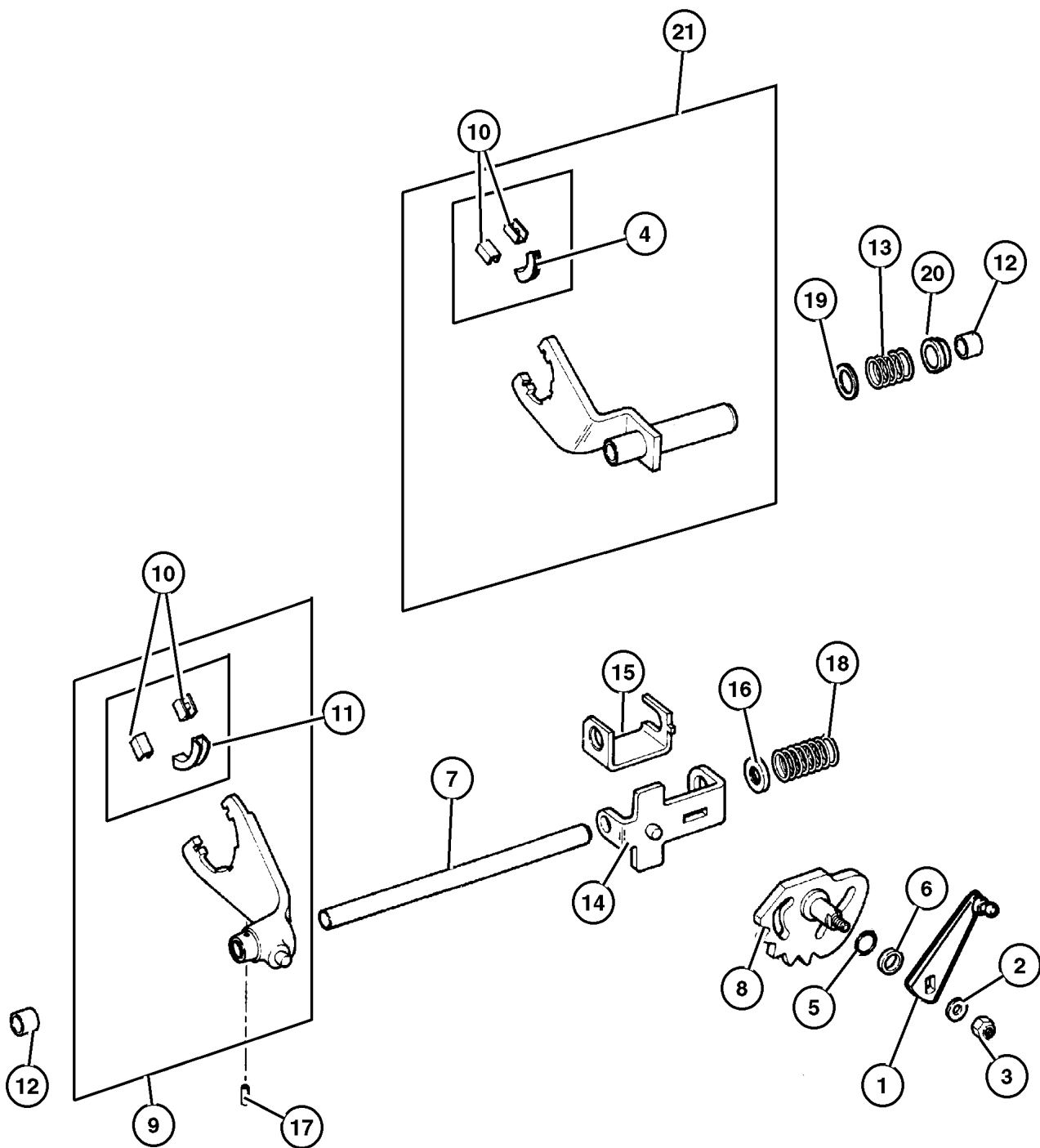
SERIES	LINE	BODY	ENGINE	TRANSMISSION
H = Laredo	J = 4WD	74 = 4 Door	ERH = 4.0L, Power Tech I-6	DGK = 4 Speed Autm, 42RE
M = Sport	T = 2WD		EVA = 4.7L, Power Tech V8	DGQ = 5 Speed Automatic, 45RFE
P = Limited			EVC = 4.7L HO V8 MPI	DG0 = All Automatic Transm
S = Overland			ERO = All 4.0L 6 Cyl Gas	
			EVO = All 4.7L Gas	

AR = Use as required - = Non illustrated part # = New this model year

May 1, 2002

Fork and Rails Select Trac [DHP]
Figure 242-910

ITEM	PART NUMBER	QTY	LINE	SERIES	ENGINE	TRANS	DESCRIPTION
1							LEVER, Transfer Case
	5012 307AA	1	J		ERO		
		1	J		EVO		
2							WASHER, Flat
	4210 983	2	J		EVO		
		2	J		ERO		
3							BOLT, Hex Head
	5014 048AA	1	J		ERO		
		1	J		EVO		
4							PAD, Shift Fork
	4338 376	1	J		EVO		
		1	J		ERO		
5							SEAL, Sector Shaft
	5014 046AA	1	J		EVO		
6							BEARING, Shift Lever Linkage
	5003 442AA	1	J		ERO		
		1	J		EVO		
7							RAIL, Transfer Case
	8350 4469	1	J		ERO		
		1	J		EVO		
8							SECTOR, Transfer Case
	#5072 569AA	1	J		ERO		
		1	J		EVO		
9							FORK, Range
	5003 459AA	1	J		ERO		
		1	J		EVO		
10							PAD, Shift Fork
	4167 969	2	J		EVO		
		2	J		ERO		
11							PAD, Shift Fork
	4167 970	1	J		EVO		
		1	J		ERO		
12							BUSHING, Shift Fork
	J813 4291	2	J		EVO		
		2	J		ERO		
13							SPRING, Mode Shift Fork
	8350 3513	1	J		EVO		
		1	J		ERO		
14							BRACKET, Shift Mode
	8350 3510	1	J		EVO		
		1	J		ERO		
15							BRACKET, Shift Mode



JEEP GRAND CHEROKEE (WJ)

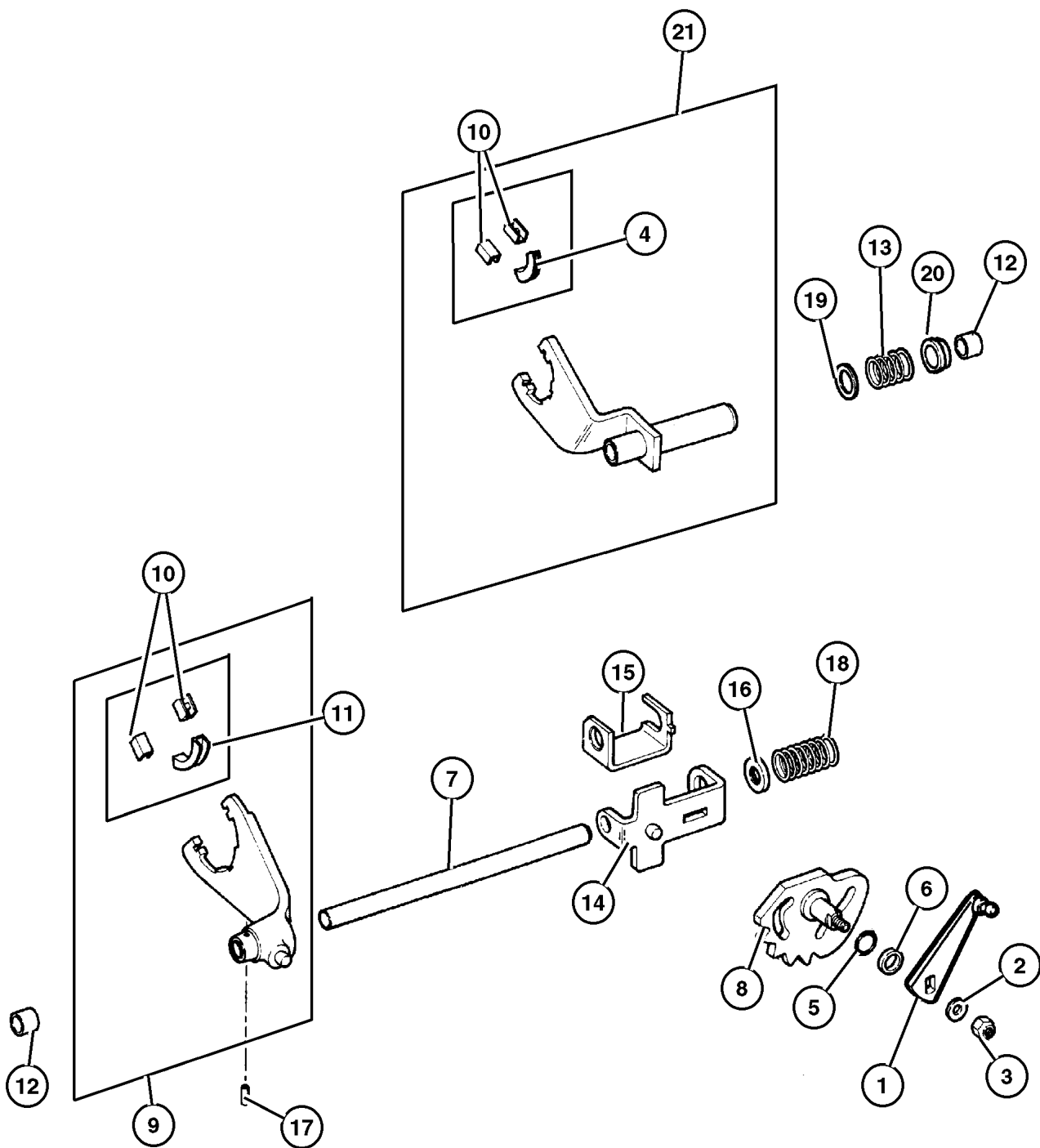
SERIES	LINE	BODY	ENGINE	TRANSMISSION
H = Laredo	J = 4WD	74 = 4 Door	ERH = 4.0L, Power Tech I-6	DGK = 4 Speed Autm, 42RE
M = Sport	T = 2WD		EVA = 4.7L, Power Tech V8	DGQ = 5 Speed Automatic, 45RFE
P = Limited			EVC = 4.7L HO V8 MPI	DG0 = All Automatic Transm
S = Overland			ERO = All 4.0L 6 Cyl Gas	
			EVO = All 4.7L Gas	

AR = Use as required - = Non illustrated part # = New this model year

May 1, 2002

Fork and Rails Select Trac [DHP]
Figure 242-910

ITEM	PART NUMBER	QTY	LINE	SERIES	ENGINE	TRANS	DESCRIPTION
	8350 3511	1	J		EVO		
		1	J		ERO		
16	8350 3515	1	J		ERO		CUP, Shift Fork Spring
		1	J		EVO		
17	1664 355	1	J		ERO		PIN, Shift Fork
		1	J		EVO		
18							SPRING, Mode Shift Fork
	8350 3516	1	J		EVO		
		1	J		ERO		
19							WASHER, Flat
	8350 3512	1	J		EVO		
		1	J		ERO		
20							BUSHING, Shift Rail
	8350 3514	1	J		EVO		
		1	J		ERO		
21							FORK, Transfer Case Mode Shift
	4638 950	1	J		ERO		
		1	J		EVO		



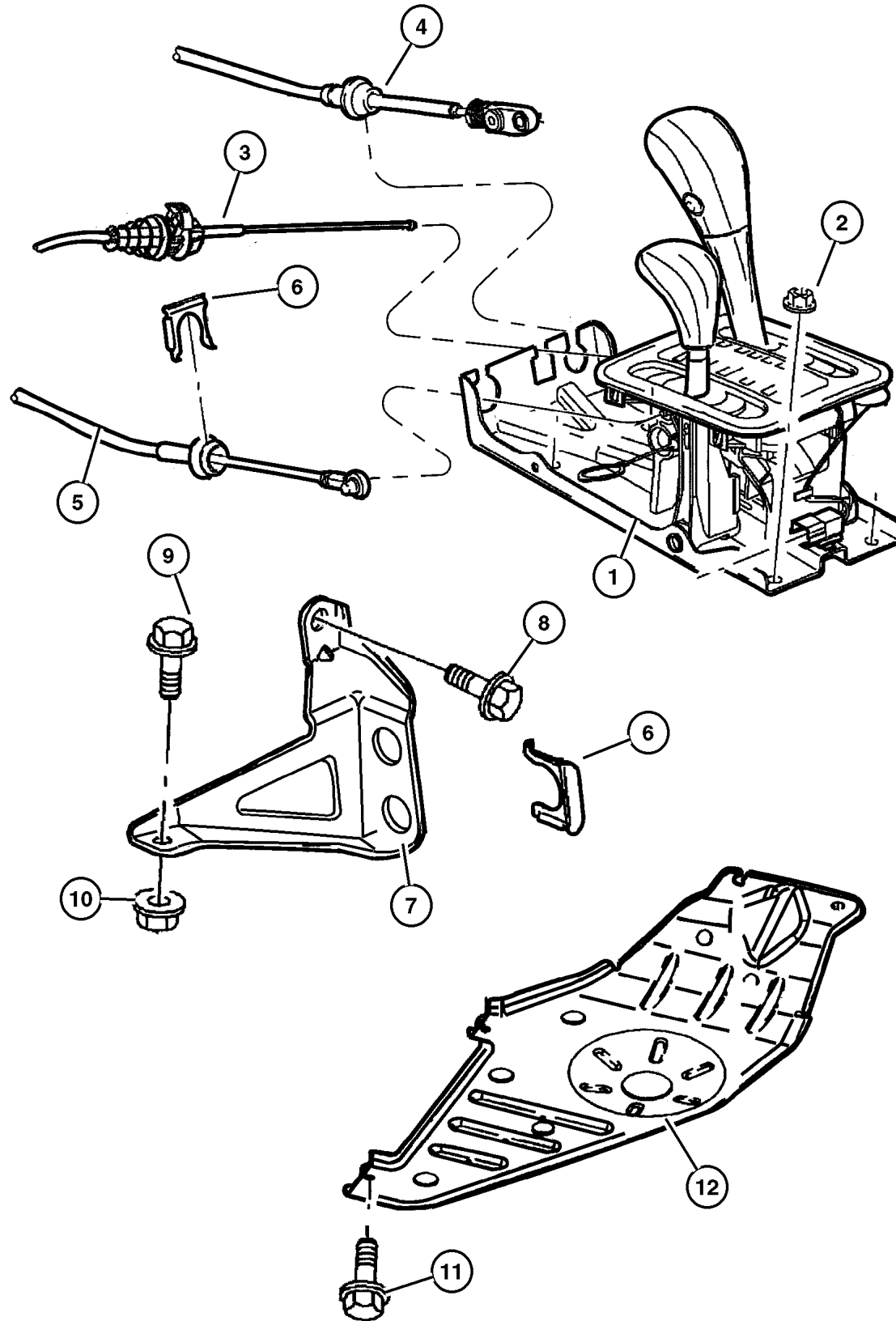
JEEP GRAND CHEROKEE (WJ)

SERIES	LINE	BODY	ENGINE	TRANSMISSION
H = Laredo	J = 4WD	74 = 4 Door	ERH = 4.0L, Power Tech I-6	DGK = 4 Speed Autm, 42RE
M = Sport	T = 2WD		EVA = 4.7L, Power Tech V8	DGQ = 5 Speed Automatic, 45RFE
P = Limited			EVC = 4.7L HO V8 MPI	DG0 = All Automatic Transm
S = Overland			ERO = All 4.0L 6 Cyl Gas	
			EVO = All 4.7l Gas	

AR = Use as required - = Non illustrated part # = New this model year

May 1, 2002

**Gearshift Controls Select Trac [DHP]
Figure 242-1210**



ITEM	PART NUMBER	QTY	LINE	SERIES	ENGINE	TRANS	DESCRIPTION
NOTES: Sales Codes ake Shoe Return Spring Lower.							
[DGK] = 42RE 4 Speed Automatic Transmissions ake Shoe Return Spring Lower.							
[DGQ] = 45RFE 5 Speed Automatic Transmissions ake Shoe Return Spring Lower.							
[DG0] = All Automatic Transmissions ake Shoe Return Spring Lower.							
[ER0] = All 4.0L Gas Engines ake Shoe Return Spring Lower.							
[EVO] = All 4.7L Gas Engines ake Shoe Return Spring Lower.							
1	#52109 671AB	1	J		ER0, EVO	DGK, DGQ	HOUSING AND LEVER, Shifter
2	6101 695	4					NUT, Hex Flange Lock, M8x1.25
3	#52109 606AA	1				DG0	CABLE, Park Interlock
4	52104 060AC	1				DG0	CABLE, Gearshift Control
5	52104 218AB	1	J			DG0	CABLE, Gearshift Control
6	4269 830	2	J				CLIP, Cable
7							BRACKET, Torque Shaft
	5210 4219	1	J			DGK	
	52104 220AB	1	J			DGQ	
8	6503 119	4					SCREW AND WASHER, Hex Head, M10x1.5x40
9	6101 054	1	J			DGK	BOLT AND WASHER, Hex Head, M10x1.5x40
10	6503 231	1	J			DGK	NUT, Brake Line
11	6503 571	4					SCREW AND WASHER, M10x1.50x35
12	5205 8922	1	J				SKID PLATE, Transfer Case

JEEP GRAND CHEROKEE (WJ)

SERIES	LINE	BODY	ENGINE	TRANSMISSION
H = Laredo	J = 4WD	74 = 4 Door	ERH = 4.0L, Power Tech I-6	DGK = 4 Speed Autm, 42RE
M = Sport	T = 2WD		EVA = 4.7L, Power Tech V8	DGQ = 5 Speed Automatic, 45RFE
P = Limited			EVC = 4.7L HO V8 MPI	DG0 = All Automatic Transm
S = Overland			ERO = All 4.0L 6 Cyl Gas	
			EVO = All 4.7L Gas	

AR = Use as required - = Non illustrated part # = New this model year

May 1, 2002

Group – 247

Transfer Case Model 247

GROUP 247 - Transfer Case Model 247

Illustration Title

Group-Fig. No.

Transfer Case Assembly

Transfer Case Quadra Trac II on Demand [DHF] Fig. 247-110

Case and Related Parts

Case and Related Parts Quadra Trac II on Demand [DHF] Fig. 247-210

Gear Train

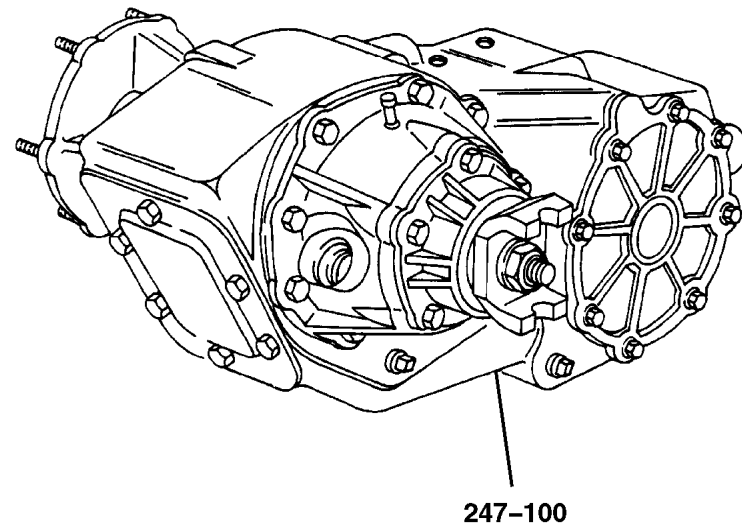
Gear Train Quadra Trac II on Demand [DHF] Fig. 247-410

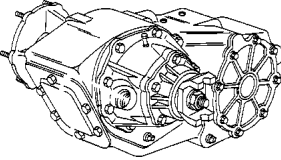
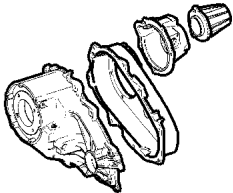
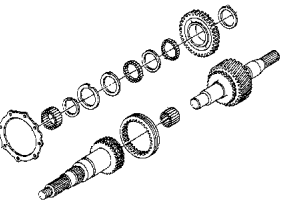
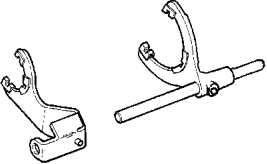

Fork and Rails

Fork and Rails Quadra Trac II on Demand [DHF] Fig. 247-910

Gearshift Controls

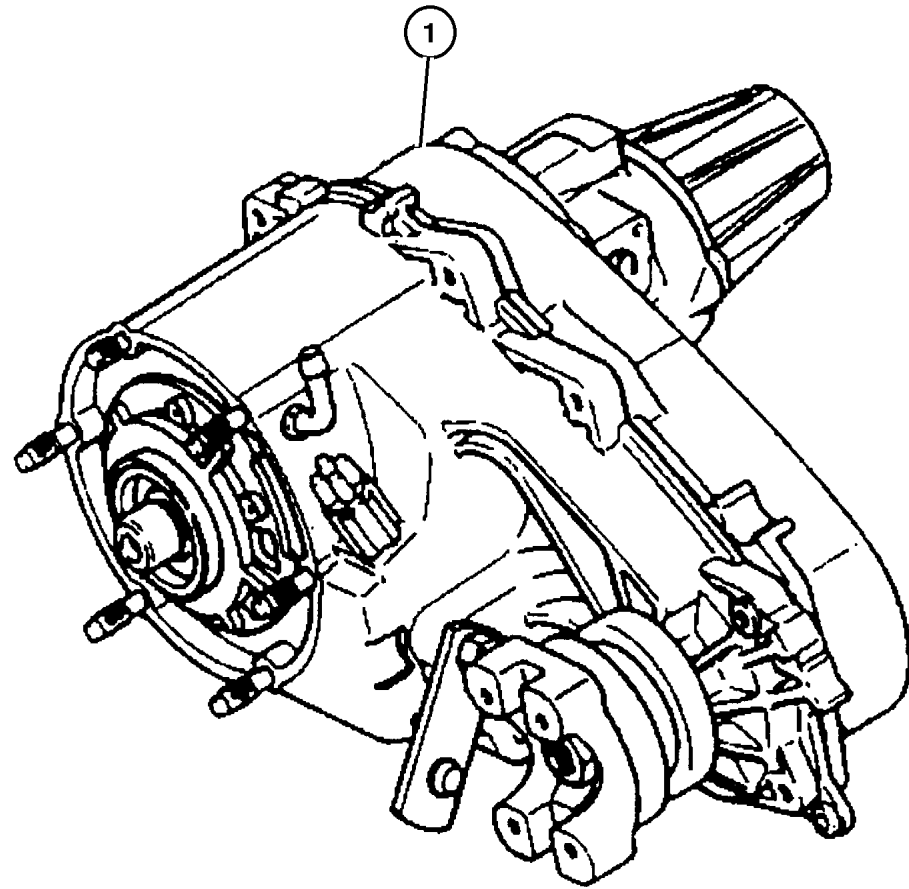
Gearshift Controls Quadra Trac II on Demand [DHF] Fig. 247-1210



<p>247-100 Transfer Case Assembly</p> 	<p>247-200 Case and Related Parts</p> 	<p>247-400 Gear Train</p> 	<p>247-900 Fork and Rails</p> 
<p>247-1200 Gearshift Controls</p> 			

**Transfer Case Quadra Trac II on Demand [DHF]
Figure 247-110**

ITEM	PART NUMBER	QTY	LINE	SERIES	ENGINE	TRANS	DESCRIPTION
1							TRANSFER CASE, NP247
	52098 871AC	1	J		ERO		
	52105 905AA	1	J		EVO		

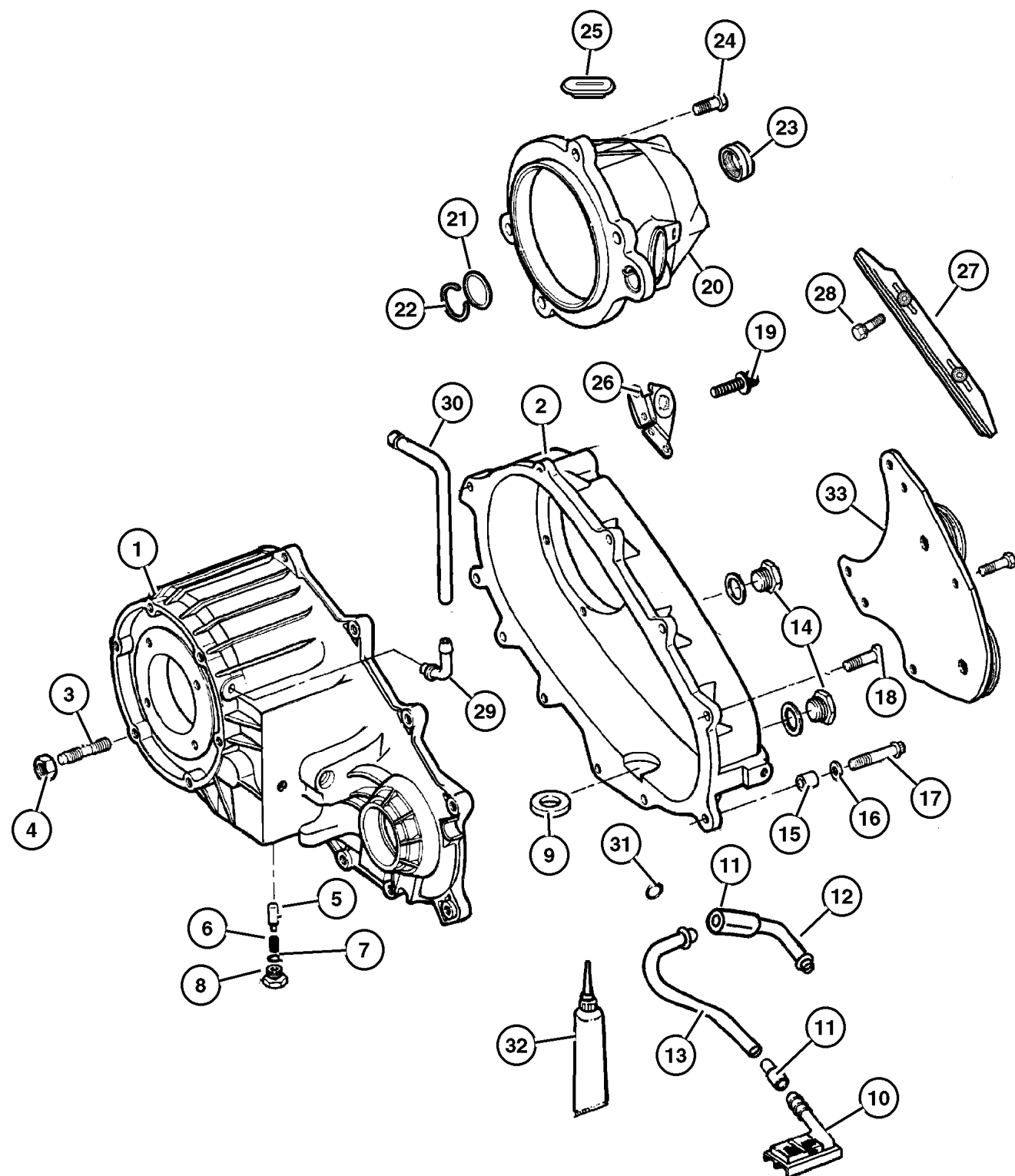


JEEP GRAND CHEROKEE (WJ)				
SERIES	LINE	BODY	ENGINE	TRANSMISSION
H = Laredo	J = 4WD	74 = 4 Door	ERH = 4.0L, Power Tech I-6	DGK = 4 Speed Autm, 42RE
M = Sport	T = 2WD		EVA = 4.7L, Power Tech V8	DGQ = 5 Speed Automatic, 45RFE
P = Limited			EVC = 4.7L HO V8 MPI	DG0 = All Automatic Transm
S = Overland			ERO = All 4.0L 6 Cyl Gas	
			EVO = All 4.7l Gas	

AR = Use as required - = Non illustrated part # = New this model year

May 1, 2002

**Case and Related Parts Quadra Trac II on Demand [DHF]
Figure 247-210**



ITEM	PART NUMBER	QTY	LINE	SERIES	ENGINE	TRANS	DESCRIPTION
NOTES: Sales Codes ake Shoe Return Spring Lower.							
[ER0] = All 4.0L 6 Cylinder Gas Engines ake Shoe Return Spring Lower.							
[EV0] = All 4.7L Gas Engines ake Shoe Return Spring Lower.							
1	5012 309AA	1	J		ER0		CASE, Transfer Front
		1	J		EV0		
2	5012 323AA	1	J		ER0		CASE, Transfer Case Rear
		1	J		EV0		
3	4505 365	6	J		ER0		STUD
	5012 310AA	6	J		EV0		
4	6033 172	6	J				NUT AND WASHER, Hex, .375-24
5	5300 8217	1	J		ER0		PLUNGER
		1	J		EV0		
6	4638 497	1	J		ER0		SPRING, Shift Detent
		1	J		EV0		
7	4338 956	1	J		ER0		SEAL, Vacuum Switch
		1	J		EV0		
8	4886 473AA	1	J		ER0		SCREW
		1	J		EV0		
9	3681 601	1	J		ER0		MAGNET, Transmission
		1	J		EV0		
10	5012 326AA	1	J		ER0		FILTER, Transfer Case Oil
		1	J		EV0		
11	5012 327AA	2	J		ER0		CONNECTOR, Oil Tube Pickup
		2	J		EV0		
12	5012 328AA	1	J		ER0		TUBE, Oil Pickup
		1	J		EV0		
13	5013 018AA	1	J		ER0		TUBE, Oil Pickup
		1	J		EV0		
14							PLUG, Oil Fill

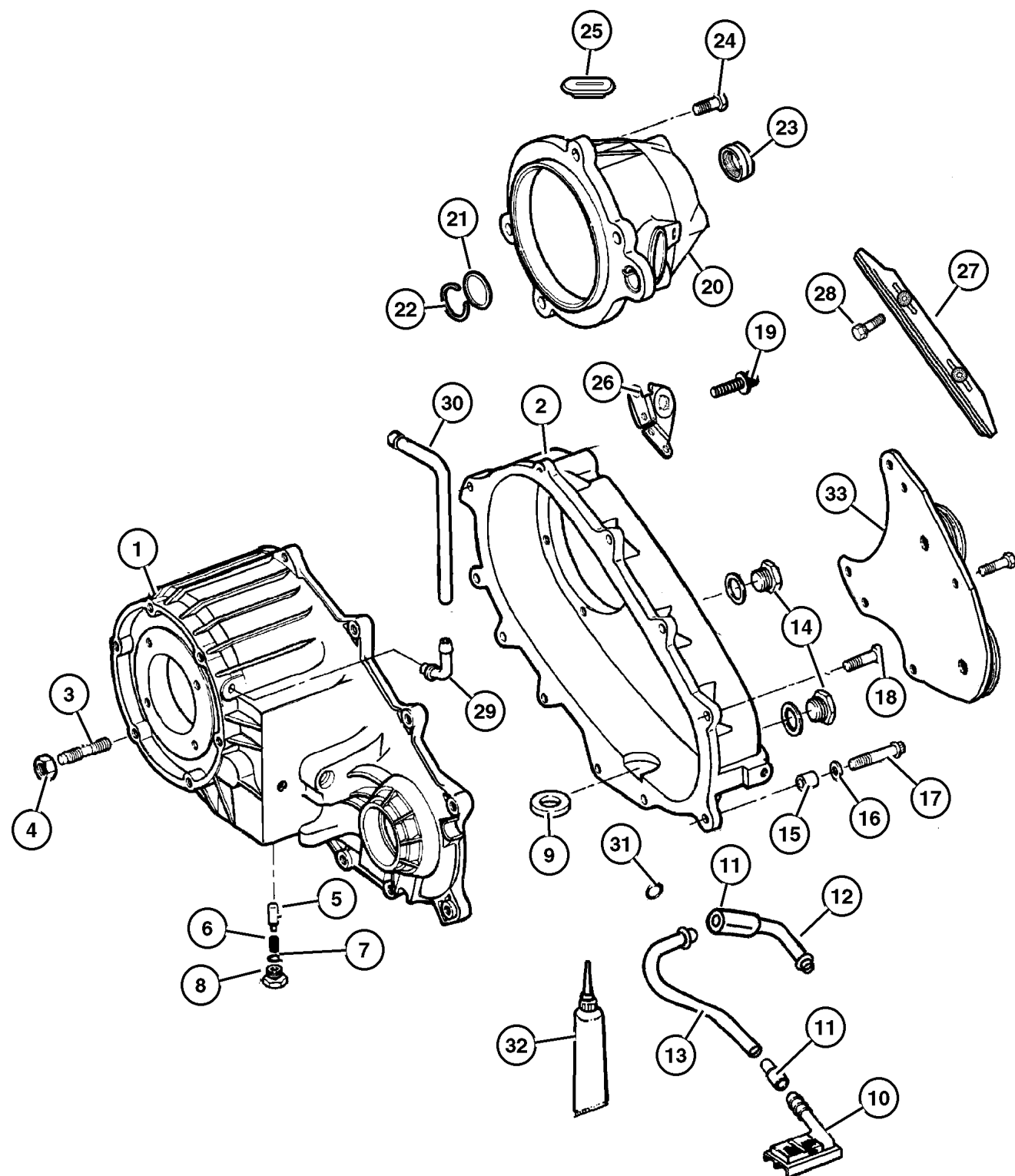
JEEP GRAND CHEROKEE (WJ)

SERIES	LINE	BODY	ENGINE	TRANSMISSION
H = Laredo	J = 4WD	74 = 4 Door	ERH = 4.0L, Power Tech I-6	DGK = 4 Speed Autm, 42RE
M = Sport	T = 2WD		EVA = 4.7L, Power Tech V8	DGQ = 5 Speed Automatic, 45RFE
P = Limited			EVC = 4.7L HO V8 MPI	DG0 = All Automatic Transm
S = Overland			ERO = All 4.0L 6 Cyl Gas	
			EVO = All 4.7L Gas	

AR = Use as required - = Non illustrated part # = New this model year

May 1, 2002

**Case and Related Parts Quadra Trac II on Demand [DHF]
Figure 247-210**



ITEM	PART NUMBER	QTY	LINE	SERIES	ENGINE	TRANS	DESCRIPTION
	4856 641	2	J		ER0		
		2	J		EVO		
15	4116 310	2	J		ER0		DOWEL, Transfer Case
		2	J		EVO		
16	4210 983	2	J		ER0		WASHER, Flat
		2	J		EVO		
17							BOLT, Hex Flange Head
	4210 614	2	J		ER0		
		2	J		EVO		
18							BOLT, Transfer Case
	4210 617	6	J		ER0		
		6	J		EVO		
19	J813 0979	3	J		ER0		BOLT, Twelve Point Head, M10x1.5x48
		3	J		EVO		
20							RETAINER, Transfer Case Rear
	5066 086AA	1	J		ER0		
		1	J		EVO		
21							BUSHING, Extension Housing
	4638 902	1	J		ER0		
		1	J		EVO		
22							SNAP RING
	0893 31A	1	J		EVO		
		1	J		ER0		
23							SEAL, Output Shaft
	4798 125	1	J		ER0		
		1	J		EVO		
24							BOLT, Retainer
	6501 371	4	J		ER0		
		4	J		EVO		
25							PLUG
	5018 919AA	1	J		ER0		
		1	J		EVO		
26							CLIP, (NOT REQUIRED)
27							SNUBBER, Drive Chain
	5012 324AA	1	J		ER0		
		1	J		EVO		
28							BOLT
	5012 325AA	2	J		ER0		

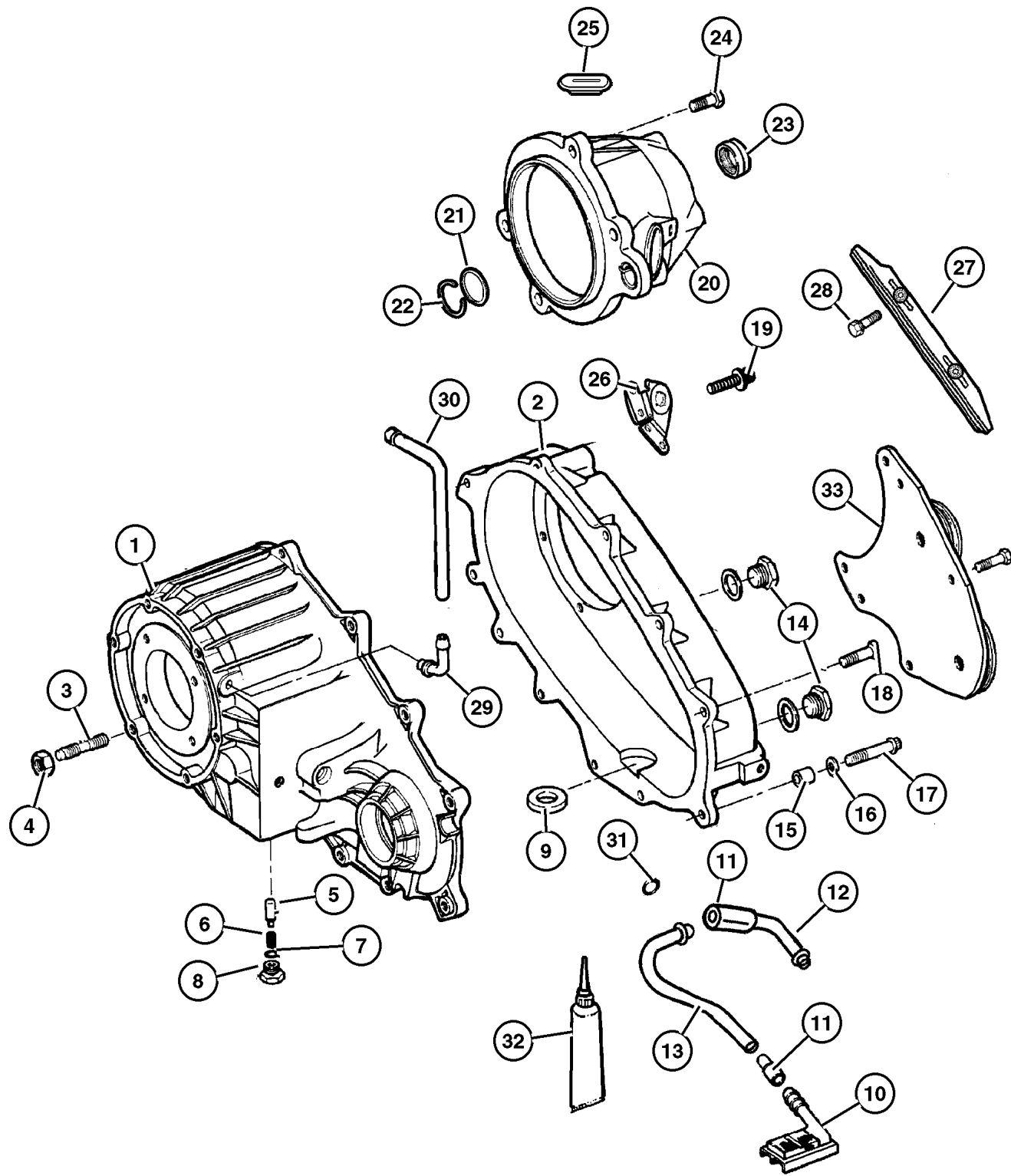
JEEP GRAND CHEROKEE (WJ)

SERIES	LINE	BODY	ENGINE	TRANSMISSION
H = Laredo	J = 4WD	74 = 4 Door	ERH = 4.0L, Power Tech I-6	DGK = 4 Speed Autm, 42RE
M = Sport	T = 2WD		EVA = 4.7L, Power Tech V8	DGQ = 5 Speed Automatic, 45RFE
P = Limited			EVC = 4.7L HO V8 MPI	DG0 = All Automatic Transm
S = Overland			ERO = All 4.0L 6 Cyl Gas	
			EVO = All 4.7L Gas	

AR = Use as required - = Non illustrated part # = New this model year

May 1, 2002

Case and Related Parts Quadra Trac II on Demand [DHF]
Figure 247-210



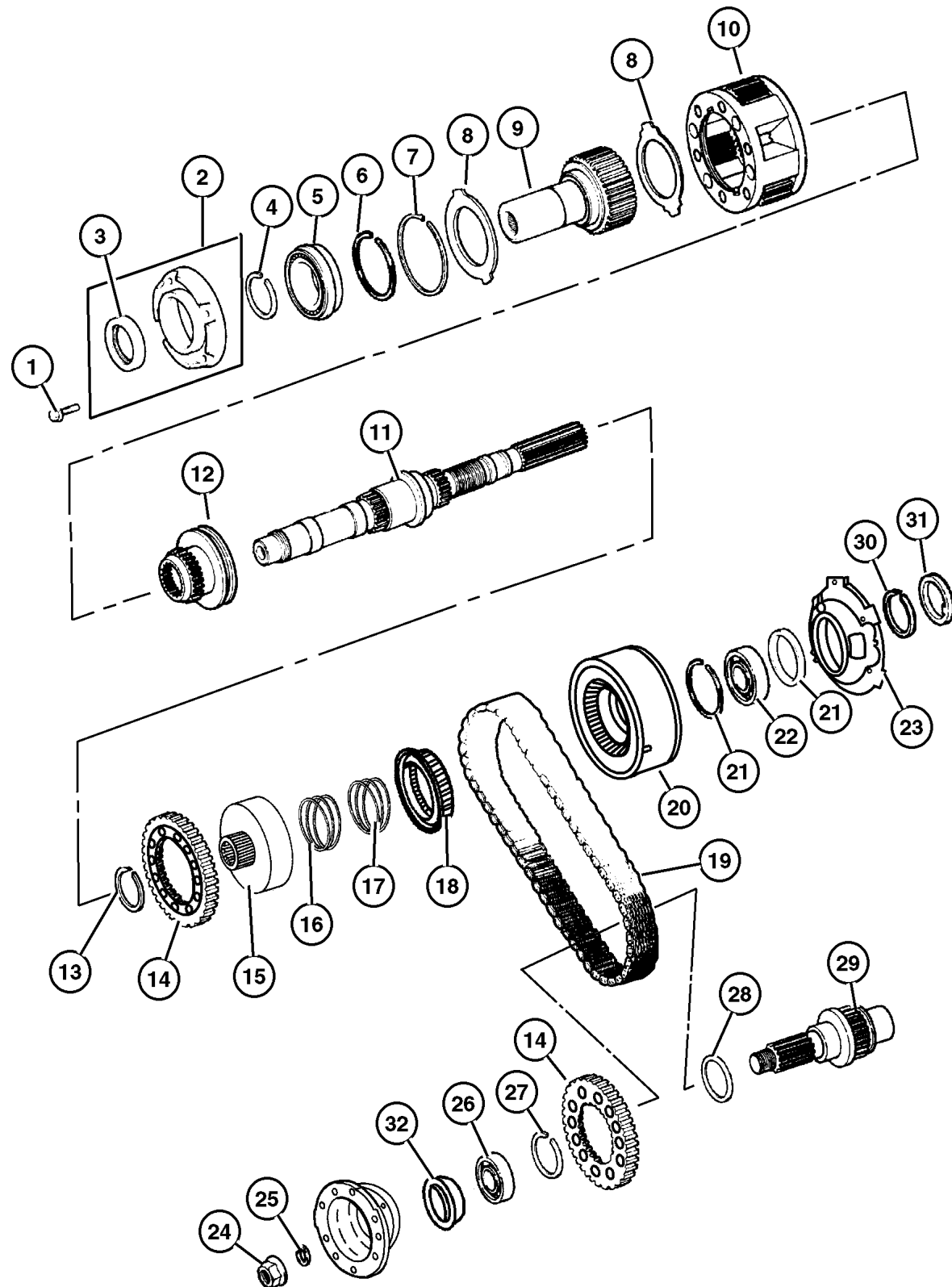
ITEM	PART NUMBER	QTY	LINE	SERIES	ENGINE	TRANS	DESCRIPTION
		2	J		EVO		
29	4796 910	1	J		ERO		VENT, Transfer Case
		1	J		EVO		
30	52099 366AD	1	J				VENT, Transfer Case
31	5013 016AB	1	J		ERO		SEAL, Transfer Case
		1	J		EVO		
32	5010 884AA	1	J		ERO		SEALANT, RTV
		1	J		EVO		
33							DAMPER, Transfer Case, (NOT REQUIRED)

JEEP GRAND CHEROKEE (WJ)

SERIES	LINE	BODY	ENGINE	TRANSMISSION
H = Laredo	J = 4WD	74 = 4 Door	ERH = 4.0L, Power Tech I-6	DGK = 4 Speed Autm, 42RE
M = Sport	T = 2WD		EVA = 4.7L, Power Tech V8	DGQ = 5 Speed Automatic, 45RFE
P = Limited			EVC = 4.7L HO V8 MPI	DG0 = All Automatic Transm
S = Overland			ERO = All 4.0L 6 Cyl Gas	
			EVO = All 4.7L Gas	

AR = Use as required - = Non illustrated part # = New this model year

**Gear Train Quadra Trac II on Demand [DHF]
Figure 247-410**



ITEM	PART NUMBER	QTY	LINE	SERIES	ENGINE	TRANS	DESCRIPTION
1							BOLT
	6500 318	4	J		ER0		
		4	J		EVO		
2							EXTENSION, Transfer Case
	4864 782	1	J		ER0		
		1	J		EVO		
3							SEAL, Input Gear
	4798 033	1	J		ER0		
		1	J		EVO		
4							SNAP RING
	3821 558	1	J		ER0		
		1	J		EVO		
5							BEARING, Input Gear
	4746 155	1	J		ER0		
		1	J		EVO		
6							SNAP RING
	4338 910	1	J		ER0		
		1	J		EVO		
7							RING
	4338 909	1	J		ER0		
		1	J		EVO		
8							THRUST WASHER, Planetary Carrier
	4338 908	2	J		ER0		
		2	J		EVO		
9							GEAR, Input
	4798 126	1	J		ER0		
	5012 311AA	1	J		EVO		
10							PLANETARY, Transfer Case
	4796 903AB	1	J		ER0		
		1	J		EVO		
11							MAINSHAFT, Transfer Case
	5012 313AA	1	J		ER0		
		1	J		EVO		
12							SLEEVE, Shift Range
	5012 314AA	1	J		ER0		
		1	J		EVO		
13							SNAP RING
	4798 130	1	J		ER0		
		1	J		EVO		
14							SPROCKET, Drive
	5012 319AA	2	J		ER0		

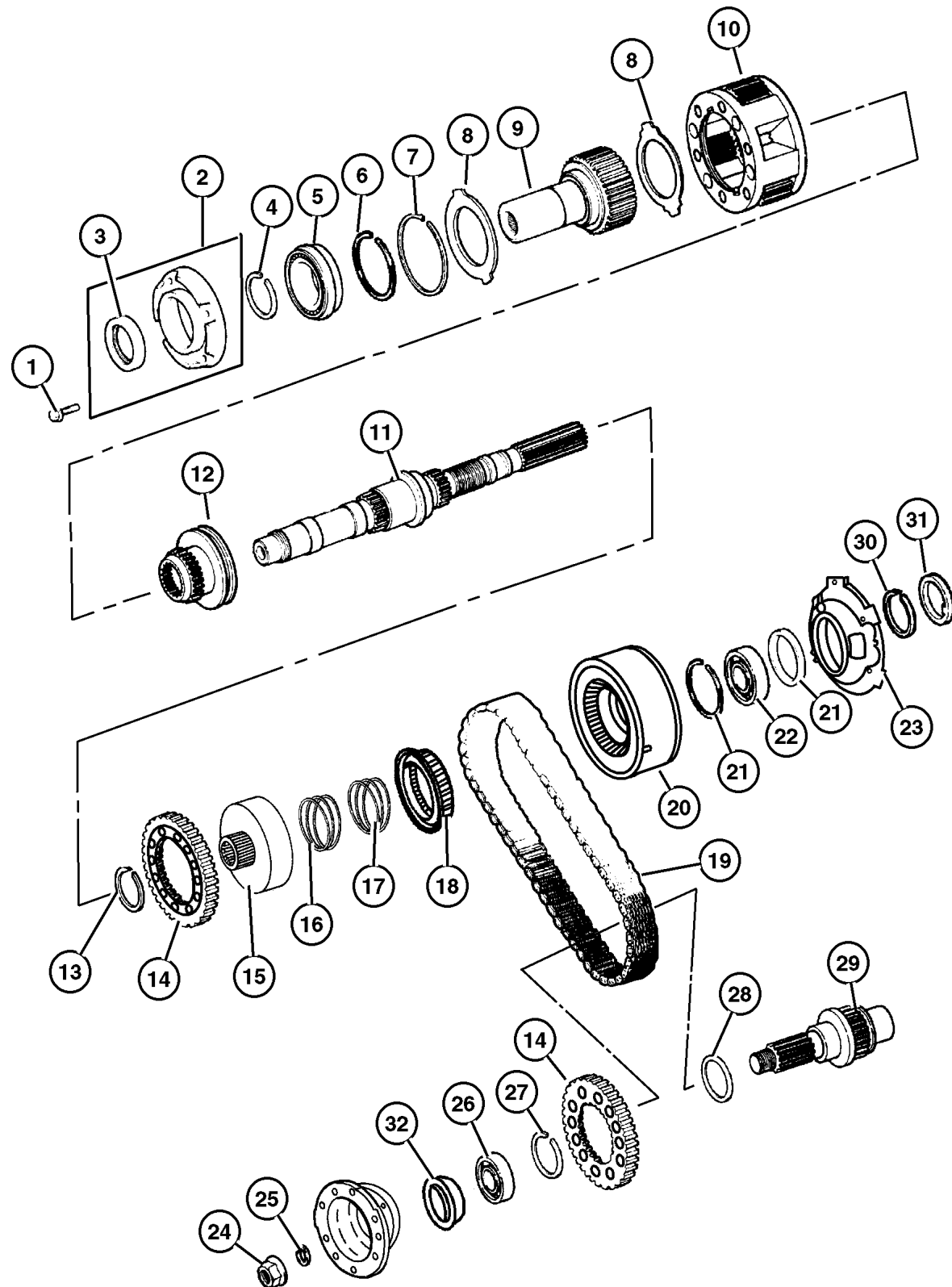
JEEP GRAND CHEROKEE (WJ)

SERIES	LINE	BODY	ENGINE	TRANSMISSION
H = Laredo	J = 4WD	74 = 4 Door	ERH = 4.0L, Power Tech I-6	DGK = 4 Speed Autm, 42RE
M = Sport	T = 2WD		EVA = 4.7L, Power Tech V8	DGQ = 5 Speed Automatic, 45RFE
P = Limited			EVC = 4.7L HO V8 MPI	DG0 = All Automatic Transm
S = Overland			ERO = All 4.0L 6 Cyl Gas	
			EVO = All 4.7L Gas	

AR = Use as required - = Non illustrated part # = New this model year

May 1, 2002

**Gear Train Quadra Trac II on Demand [DHF]
Figure 247-410**



ITEM	PART NUMBER	QTY	LINE	SERIES	ENGINE	TRANS	DESCRIPTION
		2	J		EVO		
15	5012 315AA	1	J		ERO		CARRIER, Sprocket
		1	J		EVO		
16	4798 131	1	J		ERO		SPRING, Clutch
		1	J		EVO		
17	4897 521AA	1	J		ERO		SPRING, Clutch
		1	J		EVO		
18	4897 520AA	1	J		ERO		CLUTCH, Oneway
		1	J		EVO		
19	5012 322AB	1	J		ERO		CHAIN, Transfer Case
		1	J		EVO		
20	5012 329AA	1	J		ERO		PUMP, Transfer Case Gear Rotor
		1	J		EVO		
21	4446 478	2	J		ERO		SNAP RING
		2	J		EVO		
22	4638 899	1	J		ERO		BEARING, Output Shaft
		1	J		EVO		
23	5013 017AB	1	J		ERO		PUMP, Transfer Case Oil
		1	J		EVO		
24	4167 924	1	J		ERO		NUT, Transfer Case Yoke
		1	J		EVO		
25	4210 973	1	J		ERO		WASHER, Transfer Case Yoke
		1	J		EVO		
26	2466 224	1	J		ERO		BEARING, Output Shaft
		1	J		EVO		
27	5012 320AA	1	J		EVO		SNAP RING
		2	J		EVO		
28							WASHER

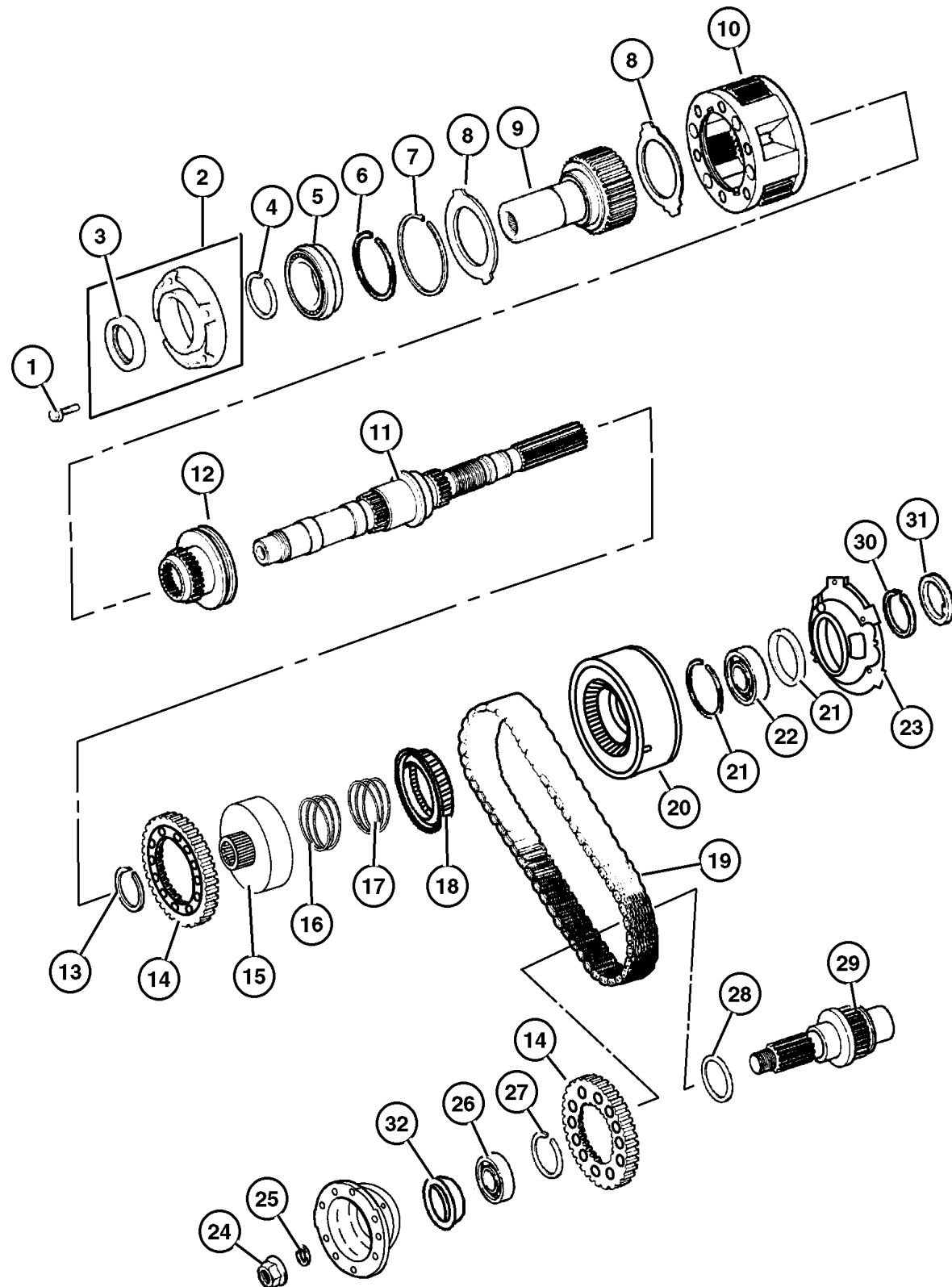
JEEP GRAND CHEROKEE (WJ)

SERIES	LINE	BODY	ENGINE	TRANSMISSION
H = Laredo	J = 4WD	74 = 4 Door	ERH = 4.0L, Power Tech I-6	DGK = 4 Speed Autm, 42RE
M = Sport	T = 2WD		EVA = 4.7L, Power Tech V8	DGQ = 5 Speed Automatic, 45RFE
P = Limited			EVC = 4.7L HO V8 MPI	DG0 = All Automatic Transm
S = Overland			ERO = All 4.0L 6 Cyl Gas	
			EVO = All 4.7L Gas	

AR = Use as required - = Non illustrated part # = New this model year

May 1, 2002

**Gear Train Quadra Trac II on Demand [DHF]
Figure 247-410**



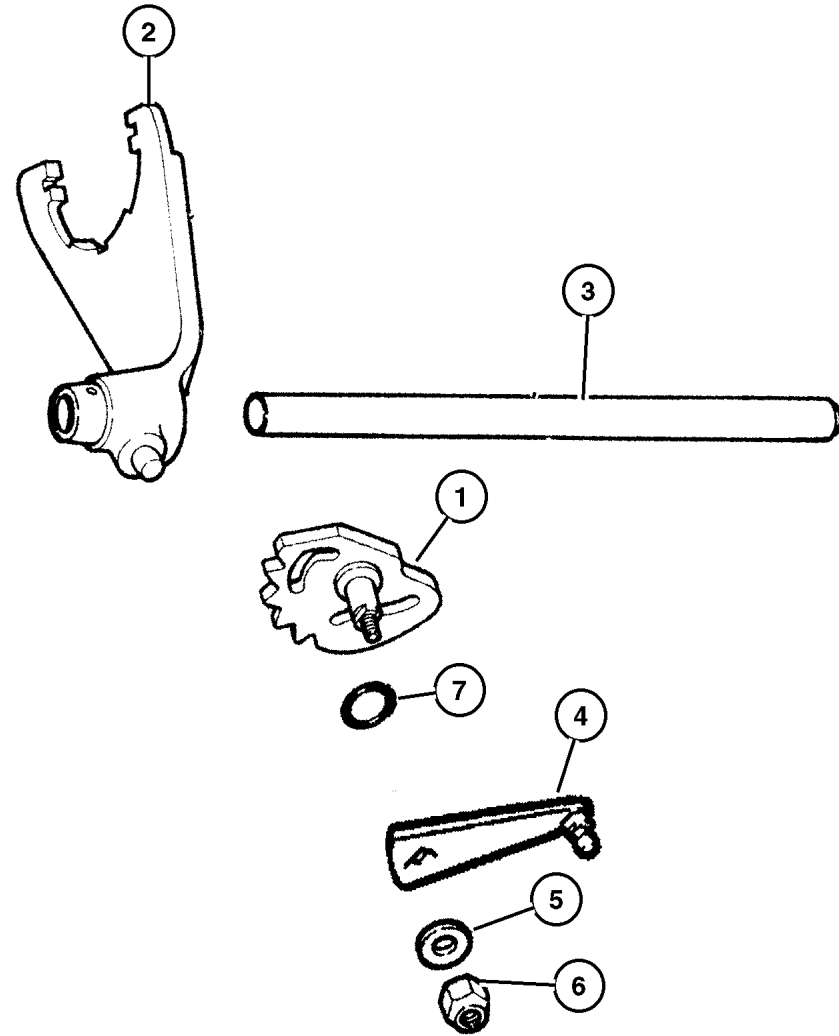
ITEM	PART NUMBER	QTY	LINE	SERIES	ENGINE	TRANS	DESCRIPTION
	5013 014AA	1	J		ERO		
		1	J		EVO		
29	5012 321AA	1	J		ERO		OUTPUT SHAFT, Transfer Case
		1	J		EVO		
30	5013 014AA	1	J		ERO		WASHER
		1	J		EVO		
31							SNAP RING
	4446 478	2	J		ERO		
		2	J		EVO		
32	4798 125	1	J		ERO		SEAL, Output Shaft
		1	J		EVO		

JEEP GRAND CHEROKEE (WJ)				
SERIES	LINE	BODY	ENGINE	TRANSMISSION
H = Laredo	J = 4WD	74 = 4 Door	ERH = 4.0L, Power Tech I-6	DGK = 4 Speed Autm, 42RE
M = Sport	T = 2WD		EVA = 4.7L, Power Tech V8	DGQ = 5 Speed Automatic, 45RFE
P = Limited			EVC = 4.7L HO V8 MPI	DG0 = All Automatic Transm
S = Overland			ERO = All 4.0L 6 Cyl Gas	
			EVO = All 4.7I Gas	

AR = Use as required - = Non illustrated part # = New this model year

May 1, 2002

Fork and Rails Quadra Trac II on Demand [DHF]
Figure 247-910



ITEM	PART NUMBER	QTY	LINE	SERIES	ENGINE	TRANS	DESCRIPTION
1	5012 312AA	1	J		ERO		SECTOR, Transfer Case
		1	J		EVO		
2	4798 136	1	J		ERO		FORK, Range
		1	J		EVO		
3	4798 135	1	J		ERO		RAIL, Transfer Case
		1	J		EVO		
4	5012 333AA	1	J		ERO		LEVER, Transfer Case
		1	J		EVO		
5	S243 6163	1	J		ERO		WASHER, Flat
		1	J		EVO		
6	0152 345	1	J		ERO		NUT
		1	J		EVO		
7	4167 964	1	J		ERO		SEAL, O-Ring
		1	J		EVO		

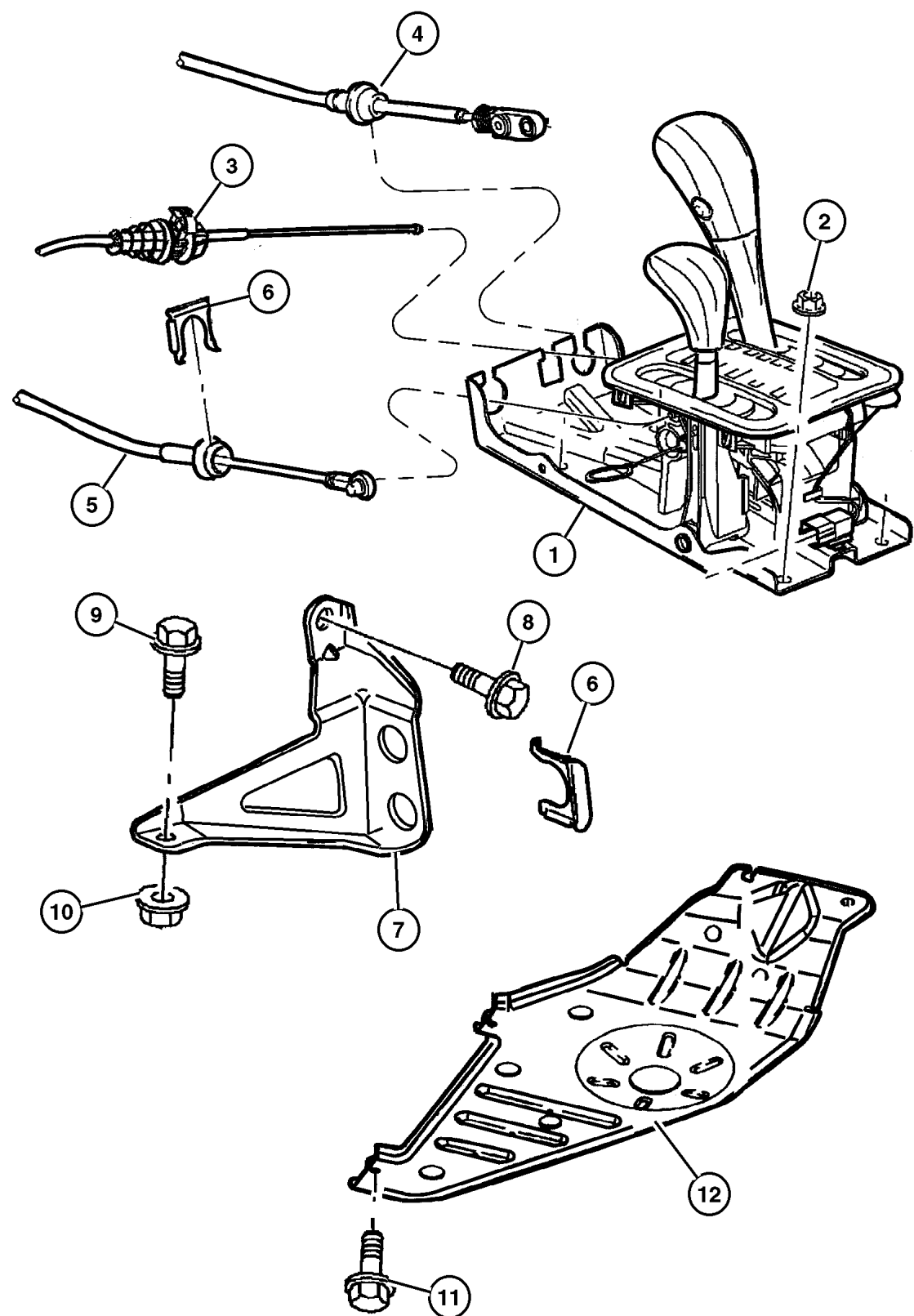
JEEP GRAND CHEROKEE (WJ)

SERIES	LINE	BODY	ENGINE	TRANSMISSION
H = Laredo	J = 4WD	74 = 4 Door	ERH = 4.0L, Power Tech I-6	DGK = 4 Speed Autm, 42RE
M = Sport	T = 2WD		EVA = 4.7L, Power Tech V8	DGQ = 5 Speed Automatic, 45RFE
P = Limited			EVC = 4.7L HO V8 MPI	DG0 = All Automatic Transm
S = Overland			ERO = All 4.0L 6 Cyl Gas	
			EVO = All 4.7l Gas	

AR = Use as required - = Non illustrated part # = New this model year

May 1, 2002

**Gearshift Controls Quadra Trac II on Demand [DHF]
Figure 247-1210**



ITEM	PART NUMBER	QTY	LINE	SERIES	ENGINE	TRANS	DESCRIPTION
NOTES: Sales Codes ake Shoe Return Spring Lower.							
[DGK] = 42RE 4 Speed Automatic Transmissions ake Shoe Return Spring Lower.							
[DGQ] = 45RFE 5 Speed Automatic Transmissions ake Shoe Return Spring Lower.							
[DG0] = All Automatic Transmissions ake Shoe Return Spring Lower.							
[ER0] = All 4.0L Gas Engines ake Shoe Return Spring Lower.							
[EVC] = 4..7L Power Tech Ho ake Shoe Return Spring Lower.							
[EV0] = All 4.7L Gas Engines ake Shoe Return Spring Lower.							
1							HOUSING AND LEVER, Shifter
	#52109 672AB	1	J		ER0, EVO	DGK, DGQ	
	#52109 673AB	1	J		ER0, EVC, EVO	DGK, DGQ	Heat Staked
2	6101 695	4					NUT, Hex Flange Lock, M8x1.25
3	#52109 606AA	1				DG0	CABLE, Park Interlock
4	52104 060AC	1				DG0	CABLE, Gearshift Control
5	52104 218AB	1	J			DG0	CABLE, Gearshift Control
6	4269 830	2	J				CLIP, Cable
7							BRACKET, Torque Shaft
	5210 4219	1	J			DGK	
	52104 220AB	1	J			DGQ	
8	6503 119	4					SCREW AND WASHER, Hex Head, M10x1.5x40
9	6101 054	1	J			DGK	BOLT AND WASHER, Hex Head, M10x1.5x40
10	6503 231	1	J			DGK	NUT, Brake Line
11	6503 571	4					SCREW AND WASHER, M10x1.50x35
12	5205 8922	1	J				SKID PLATE, Transfer Case

JEEP GRAND CHEROKEE (WJ)

SERIES	LINE	BODY	ENGINE	TRANSMISSION
H = Laredo	J = 4WD	74 = 4 Door	ERH = 4.0L, Power Tech I-6	DGK = 4 Speed Autm, 42RE
M = Sport	T = 2WD		EVA = 4.7L, Power Tech V8	DGQ = 5 Speed Automatic, 45RFE
P = Limited			EVC = 4.7L HO V8 MPI	DG0 = All Automatic Transm
S = Overland			ERO = All 4.0L 6 Cyl Gas	
			EVO = All 4.7L Gas	

AR = Use as required - = Non illustrated part # = New this model year

May 1, 2002

Group – 022

Wheels, Covers and Jacks

GROUP 22 - Wheels, Covers and Jacks

Illustration Title

Group-Fig. No.

Wheels and Hardware

Wheels and Hardware Fig. 022-130

Wheel Covers and Center Caps

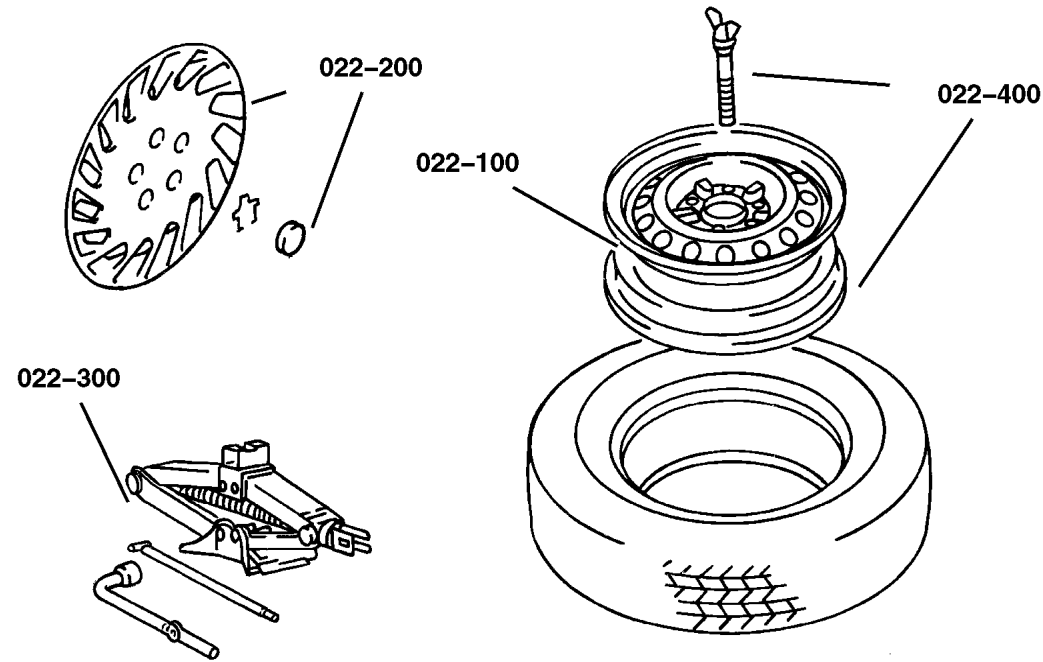
Caps, Wheel Cover and center Fig. 022-230


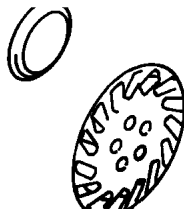
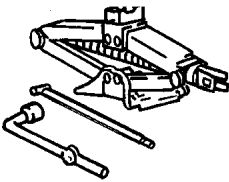
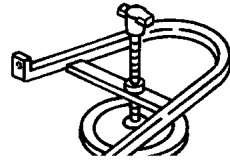
Jack Stowage

Jack Stowage Fig. 022-330

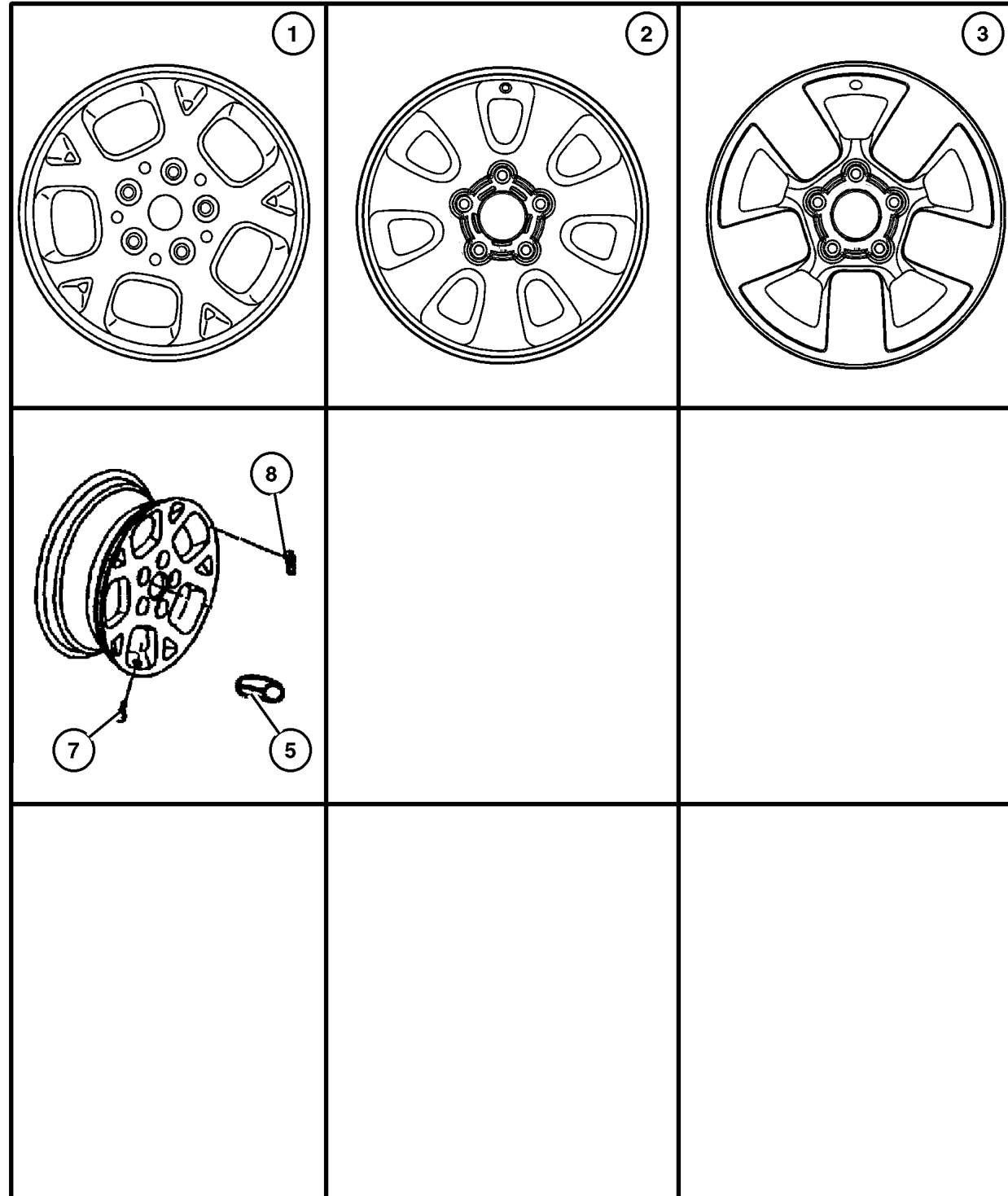
Spare Tire Stowage

Spare Wheel Stowage Fig. 022-460



<p>022-100 Wheels and Hardware</p> 	<p>022-200 Wheel Covers and Center Caps</p> 	<p>022-300 Jack Stowage</p> 	<p>022-400 Spare Tire Stowage</p> 
---	--	---	--

Wheels and Hardware Figure 022-130

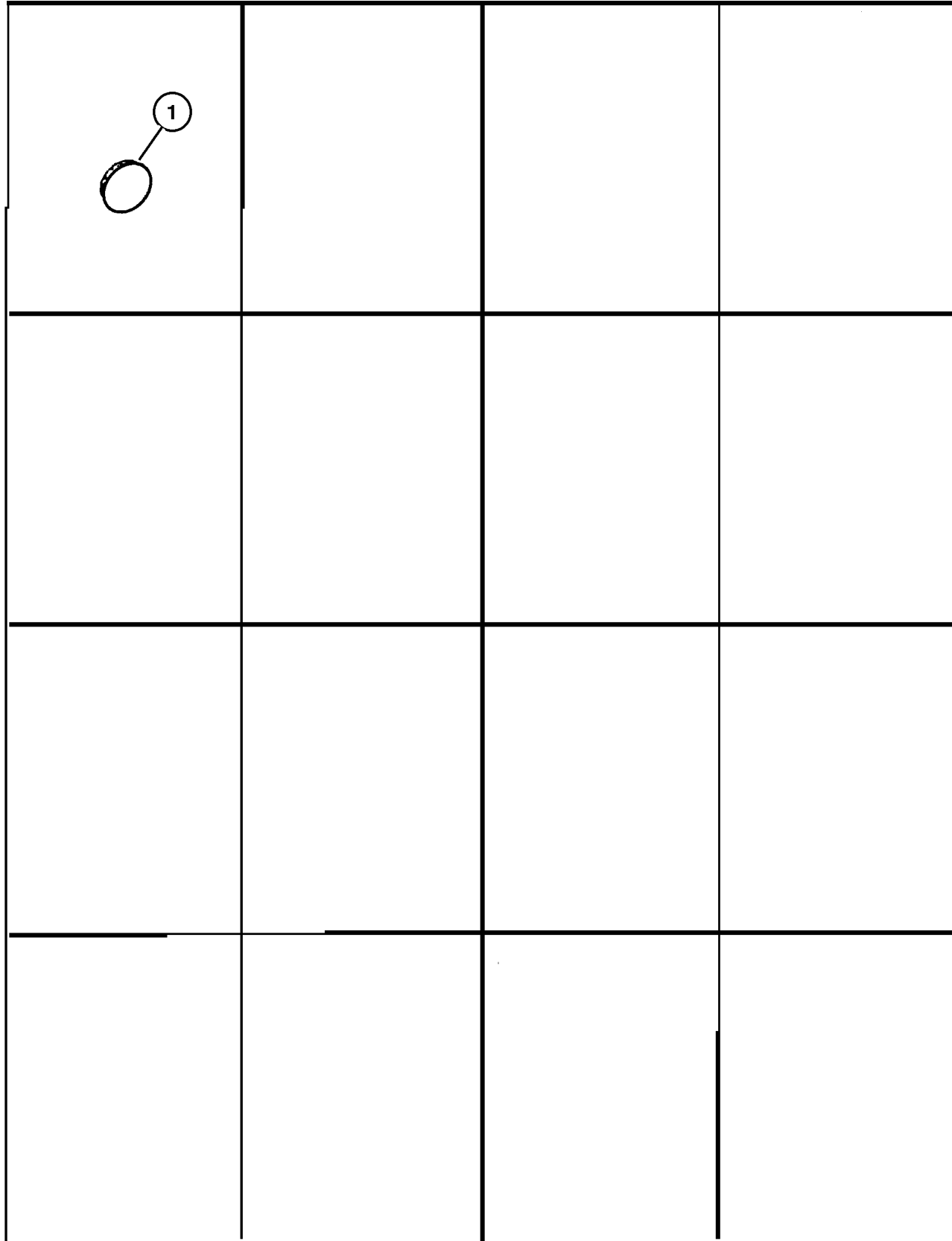


ITEM	PART NUMBER	QTY	LINE	SERIES	BODY	DESCRIPTION
Note: Sales Code WDR,WDS = 16x7.0 Aluminum Wheel ake Shoe Return Spring Lower.						
Note: Sales Code WGP = 17x7.5 Cast Aluminum ake Shoe Return Spring Lower.						
Note: Sales Code WFZ = 17 x 7.5 Aluminum, 7 Spoke ake Shoe Return Spring Lower.						
1						WHEEL, Aluminum
	#5EZ99 PAKAC	4				16x7, [WDR]
	5EZ98 TAEAB	4				16x7, [WDS]
2	#5HE38 PAKAA	4				WHEEL, Aluminum, 17x7.5, [WGP]
3	#5HU03 MA8AA	4				WHEEL, Aluminum, 17x7.5, [WFZ]
-4	52080 260AA	4				WHEEL, Aluminum, 17x7.5, [WGM]
5	6036 310AA	20				NUT, Wheel, .50x20
-6	52088 203AB	1				WHEEL, Spare
7	2073 355	5				STEM, Wheel Valve
8						WEIGHT, Wheel Balance Tape, (NOT SERVICED)
-9	#52088 990AC	5				SENSOR, Tire Pressure, valve stem
-10	#52109 664AA	1				MAGNET
-11	#52088 961AA	5				NUT
-12	#5083 124AA	5				CAP, Valve Stem, Chrome
-13	#5083 123AA	5				O RING

JEEP GRAND CHEROKEE (WJ)				
SERIES	LINE	BODY	ENGINE	TRANSMISSION
H = Laredo	J = 4WD	74 = 4 Door	ERH = 4.0L, Power Tech I-6	DGK = 4 Speed Autm, 42RE
M = Sport	T = 2WD		EVA = 4.7L, Power Tech V8	DGQ = 5 Speed Automatic, 45RFE
P = Limited			EVC = 4.7L HO V8 MPI	DG0 = All Automatic Transm
S = Overland			ERO = All 4.0L 6 Cyl Gas	
			EVO = All 4.7I Gas	

AR = Use as required - = Non illustrated part # = New this model year

**Caps, Wheel Cover and center
Figure 022-230**



ITEM	PART NUMBER	QTY	LINE	SERIES	BODY	DESCRIPTION
------	-------------	-----	------	--------	------	-------------

Note: ake Shoe Return Spring Lower.

WFZ = 17 x 7.5 Aluminum ake Shoe Return Spring Lower.

WGP = 17 x 7.5 Aluminum ake Shoe Return Spring Lower.

WDR = 16 x 7.0 Aluminum ake Shoe Return Spring Lower.

WGM = 17 x 7.5 Aluminum ake Shoe Return Spring Lower.

WDS = 16 x 7.0 Aluminum ake Shoe Return Spring Lower.

1	5CF9 7L3X	4				CAP, Wheel Center, Brushed Aluminum "Jeep" Name, [WDR], Up To 8-16-01
-2						CAP, Wheel Center
	#5HF45 PAKAA	4				[WGP]
	#5HF52 MA8AA	4				[WFZ]
	52080 263AA	4				[WGM]
	52059 522AA	4				[WDR,WDS], After 8-16-01

JEEP GRAND CHEROKEE (WJ)

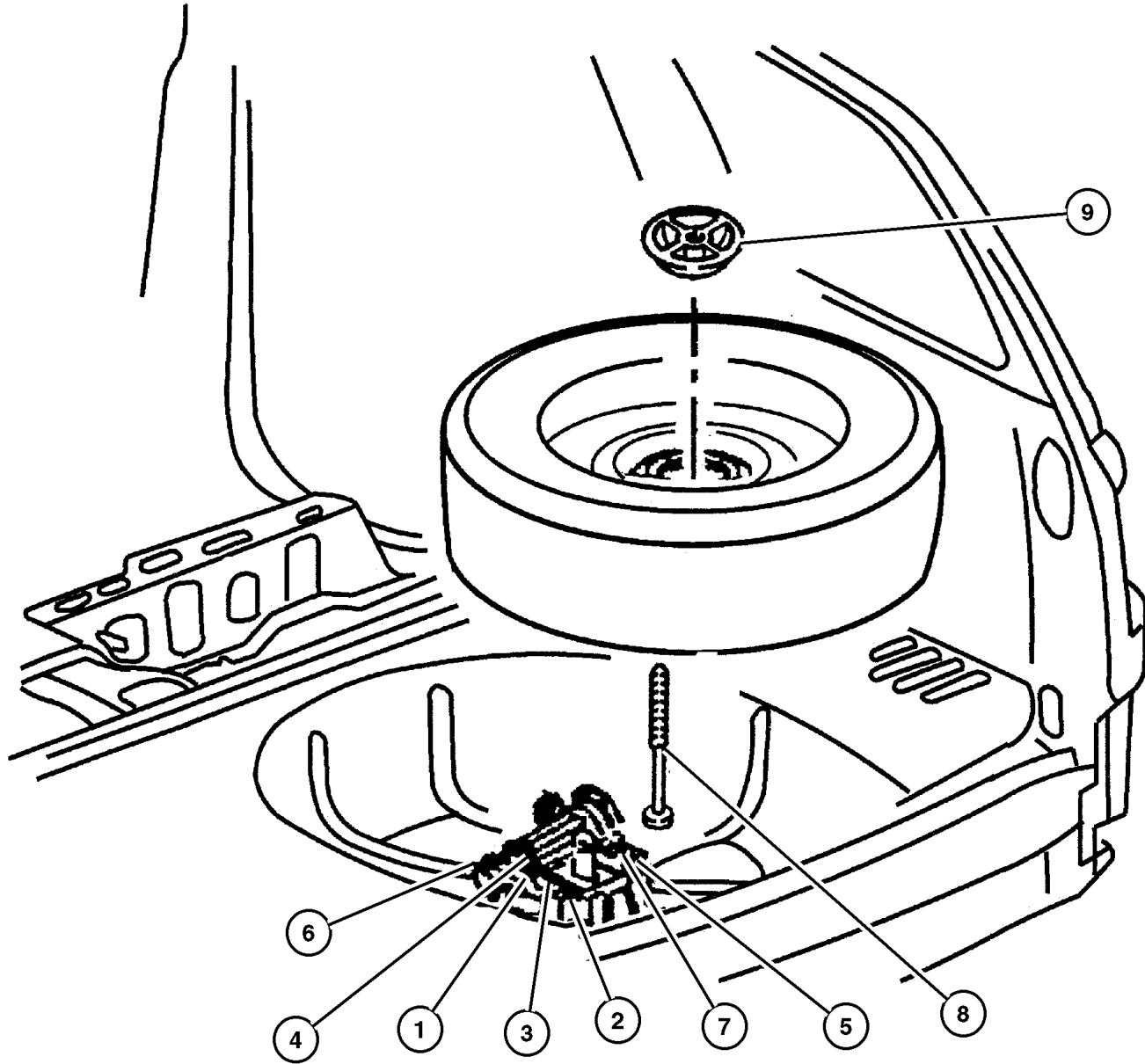
SERIES	LINE	BODY	ENGINE	TRANSMISSION
H = Laredo	J = 4WD	74 = 4 Door	ERH = 4.0L, Power Tech I-6	DGK = 4 Speed Autm, 42RE
M = Sport	T = 2WD		EVA = 4.7L, Power Tech V8	DGQ = 5 Speed Automatic, 45RFE
P = Limited			EVC = 4.7L HO V8 MPI	DG0 = All Automatic Transm
S = Overland			ERO = All 4.0L 6 Cyl Gas	
			EVO = All 4.7l Gas	

AR = Use as required - = Non illustrated part # = New this model year

May 1, 2002

Jack Stowage
Figure 022-330

ITEM	PART NUMBER	QTY	LINE	SERIES	BODY	DESCRIPTION
1	5205 9104	1				JACK
2	52059 122AB	1				EXTENSION, Jack Handle
3	52059 122AB	1				EXTENSION, Jack Handle
4	52059 134AA	2				BRACKET, Tool Hold Down
5	6100 048	4				NUT, Hex, M6x1.00
6	5205 9105	1				WRENCH, Wheel Lug Nut
7	52059 148AA	1				CLIP
8						J BOLT, Spare Tire Hold Down, (NOT SERVICED)
9	52059 414AB	1				CUP, Spare Tire Retention



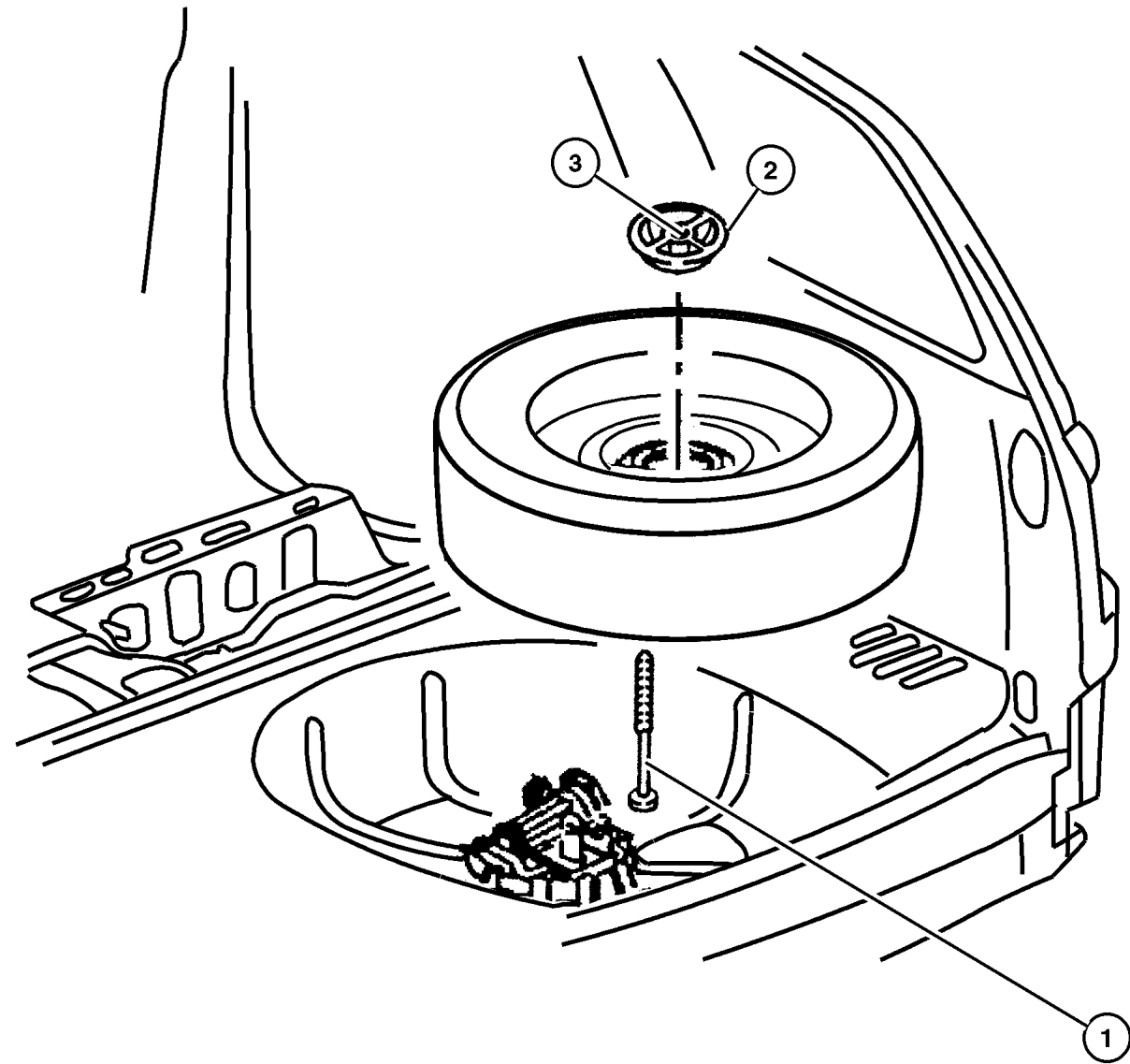
JEEP GRAND CHEROKEE (WJ)				
SERIES	LINE	BODY	ENGINE	TRANSMISSION
H = Laredo	J = 4WD	74 = 4 Door	ERH = 4.0L, Power Tech I-6	DGK = 4 Speed Autm, 42RE
M = Sport	T = 2WD		EVA = 4.7L, Power Tech V8	DGQ = 5 Speed Automatic, 45RFE
P = Limited			EVC = 4.7L HO V8 MPI	DG0 = All Automatic Transm
S = Overland			ERO = All 4.0L 6 Cyl Gas	
			EVO = All 4.7l Gas	

AR = Use as required - = Non illustrated part # = New this model year

May 1, 2002

Spare Wheel Stowage
Figure 022-460

ITEM	PART NUMBER	QTY	LINE	SERIES	BODY	DESCRIPTION
1	52059 169AB	1				BOLT, J, M10x1.5x150
2	52059 414AB	1				CUP, Spare Tire Retention
3	6503 070	1				WINGNUT, Jack and Tire Hold Down



JEEP GRAND CHEROKEE (WJ)				
SERIES	LINE	BODY	ENGINE	TRANSMISSION
H = Laredo	J = 4WD	74 = 4 Door	ERH = 4.0L, Power Tech I-6	DGK = 4 Speed Autm, 42RE
M = Sport	T = 2WD		EVA = 4.7L, Power Tech V8	DGQ = 5 Speed Automatic, 45RFE
P = Limited			EVC = 4.7L HO V8 MPI	DG0 = All Automatic Transm
S = Overland			ERO = All 4.0L 6 Cyl Gas	
			EVO = All 4.7l Gas	

AR = Use as required - = Non illustrated part # = New this model year

May 1, 2002

Group – 23D

Wiper/Lock Cylinder and Keys

GROUP 23D - Wiper/Lock Cylinder and Keys

Illustration Title

Group-Fig. No.

Lock Cylinders and Keys

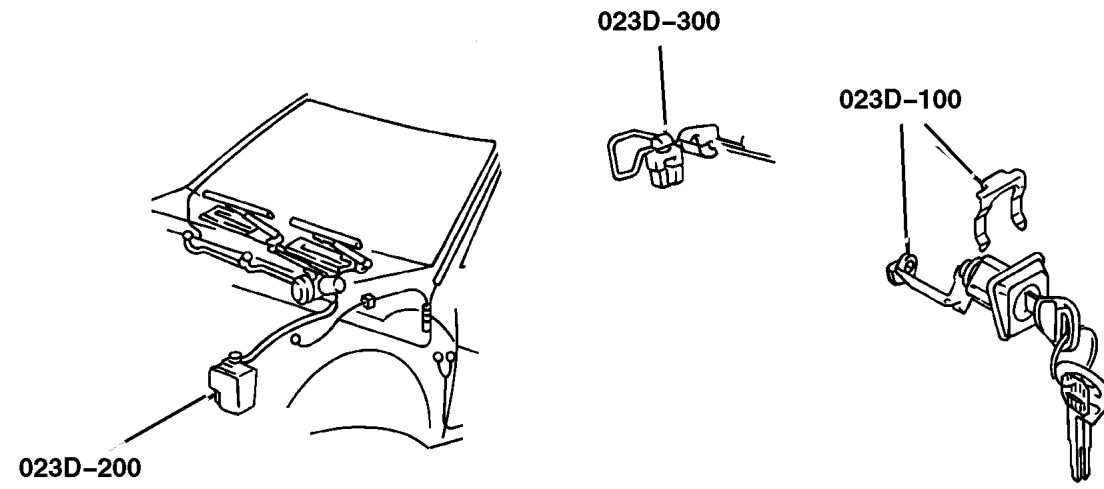
Lock Cylinder & Keys Fig. 23D-130

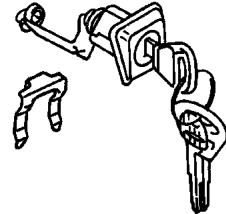
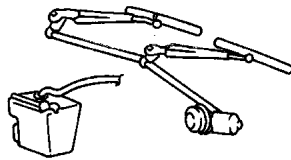
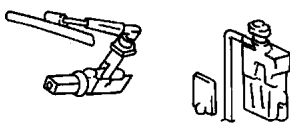
Windshield Wiper and Washer Systems

Windshield Wiper & Washer Fig. 23D-230

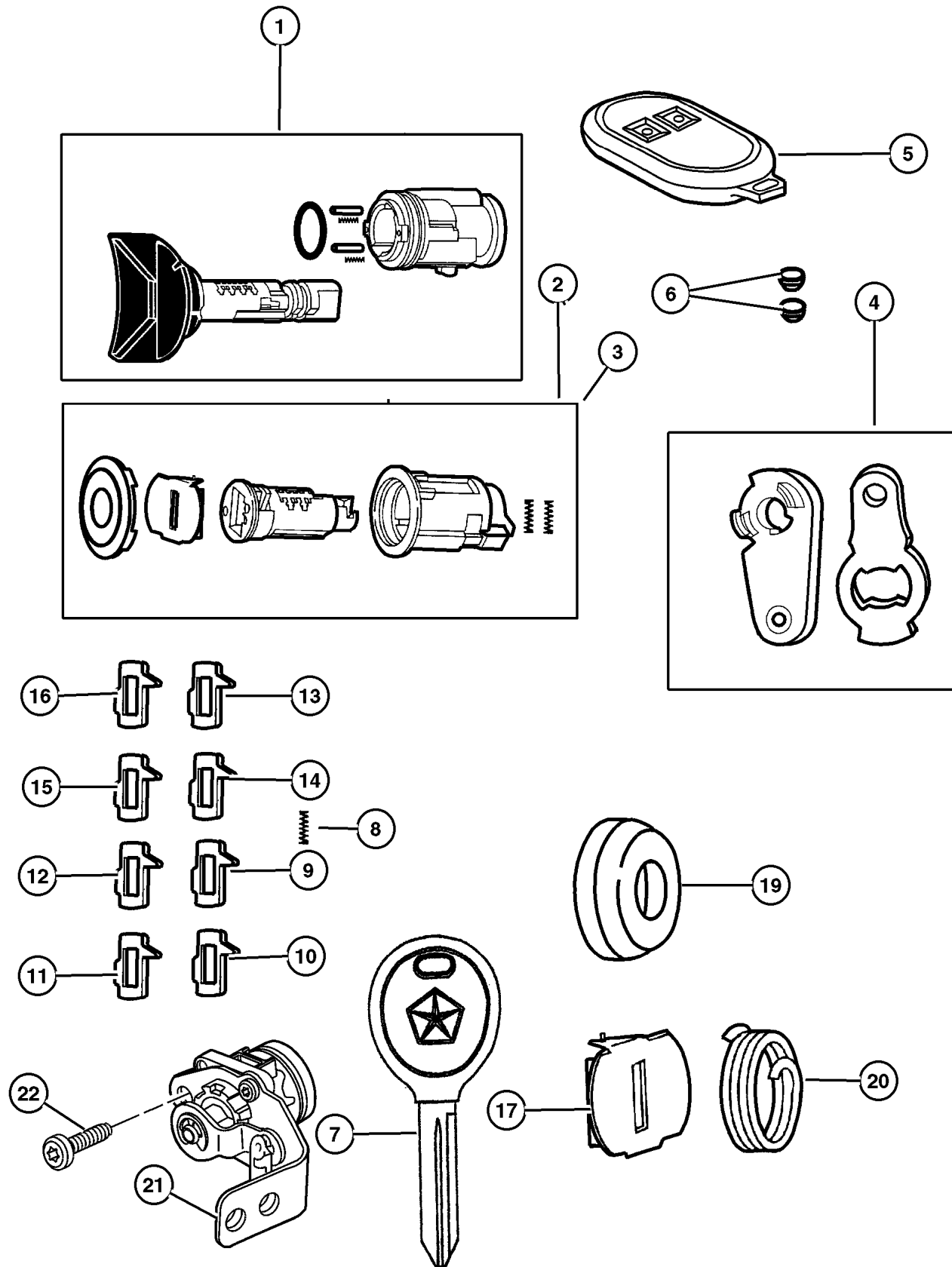
Rear Wiper and Washer System

Rear Wiper & Washer System Fig. 23D-330



<p>23D-100 Lock Cylinders and Keys</p> 	<p>23D-200 Windshield Wiper and Washer Systems</p> 	<p>23D-300 Rear Wiper and Washer System</p> 	
---	---	---	--

Lock Cylinder & Keys Figure 23D-130



ITEM	PART NUMBER	QTY	LINE	BODY	DESCRIPTION
1	5003 843AB	1			CYLINDER, Ignition Lock
2	5013 682AA	1			CYLINDER, Door Lock
3					LOCK CYLINDER
	4778 125	1	T		
		1	J		
4	55136 554AA	1			LEVER, Door Lock Cylinder
5					TRANSMITTER, Keyless Entry
	56036 859AD	1			Frequency 315 (#1)
	56036 860AD	1			Frequency 433 (#2)
6	8350 4802	1			BATTERY, Transmitter
7	5018 699AA	2			KEY, Master, Sentry Key
8	5010 883AB	1			SPRING, Ignition Tumbler, Sidebar
9	4778 117	1			TUMBLER, Door and Deck Number 1, Wide
10	4778 118	1			TUMBLER, Door and Deck Number 2, Wide
11	4778 119	1			TUMBLER, Door and Deck Number 3, Wide
12	4778 120	1			TUMBLER, Door and Deck Number 4, Wide
13	5010 879AA	1			TUMBLER, Ignition Number 1, Sidebar
14	5010 880AA	1			TUMBLER, Ignition Number 2, Sidebar
15	5010 881AA	1			TUMBLER, Ignition Number 3, Sidebar
16	5010 882AA	1			TUMBLER, Ignition Number 4, Sidebar
17	4778 150	1			SHUTTER, Door, Deck and Liftgate, Bright
-18	5019 605AA	1			SHUTTER, Lock Cylinder
19	4778 149	1			CAP, Door Lock Cylinder, Bright
20	4778 121	1			SPRING, Door and Deck Tumbler
21	55136 763AA	1			BRACKET, Security
22	5013 808AA	1			SCREW, Security Bracket Mounting
-23	4658 444	1			CLIP, Latch, Purple
-24	55136 557AA	1			SWITCH, Security Alarm
-25	4686 665AB	1			MODULE, Immobilizer
-26					SPRING, Cylinder Return
	4378 793	1	T		
		1	J		
-27	#5093 541AA	1			CLIP, Latch Rod, Pink

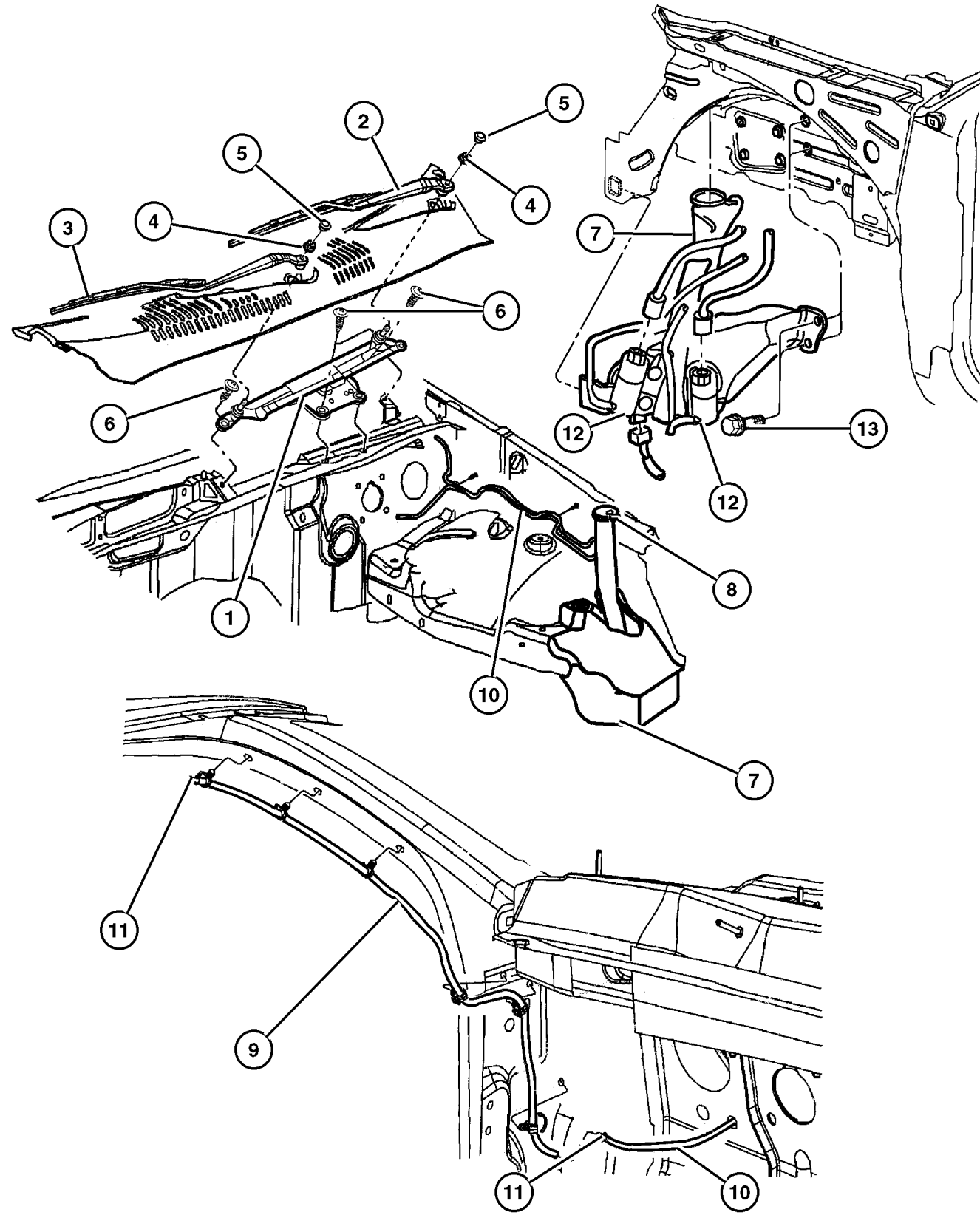
JEEP GRAND CHEROKEE (WJ)

SERIES	LINE	BODY	ENGINE	TRANSMISSION
H = Laredo	J = 4WD	74 = 4 Door	ERH = 4.0L, Power Tech I-6	DGK = 4 Speed Autm, 42RE
M = Sport	T = 2WD		EVA = 4.7L, Power Tech V8	DGQ = 5 Speed Automatic, 45RFE
P = Limited			EVC = 4.7L HO V8 MPI	DG0 = All Automatic Transm
S = Overland			ERO = All 4.0L 6 Cyl Gas	
			EVO = All 4.7I Gas	

AR = Use as required - = Non illustrated part # = New this model year

May 1, 2002

Windshield Wiper & Washer Figure 23D-230



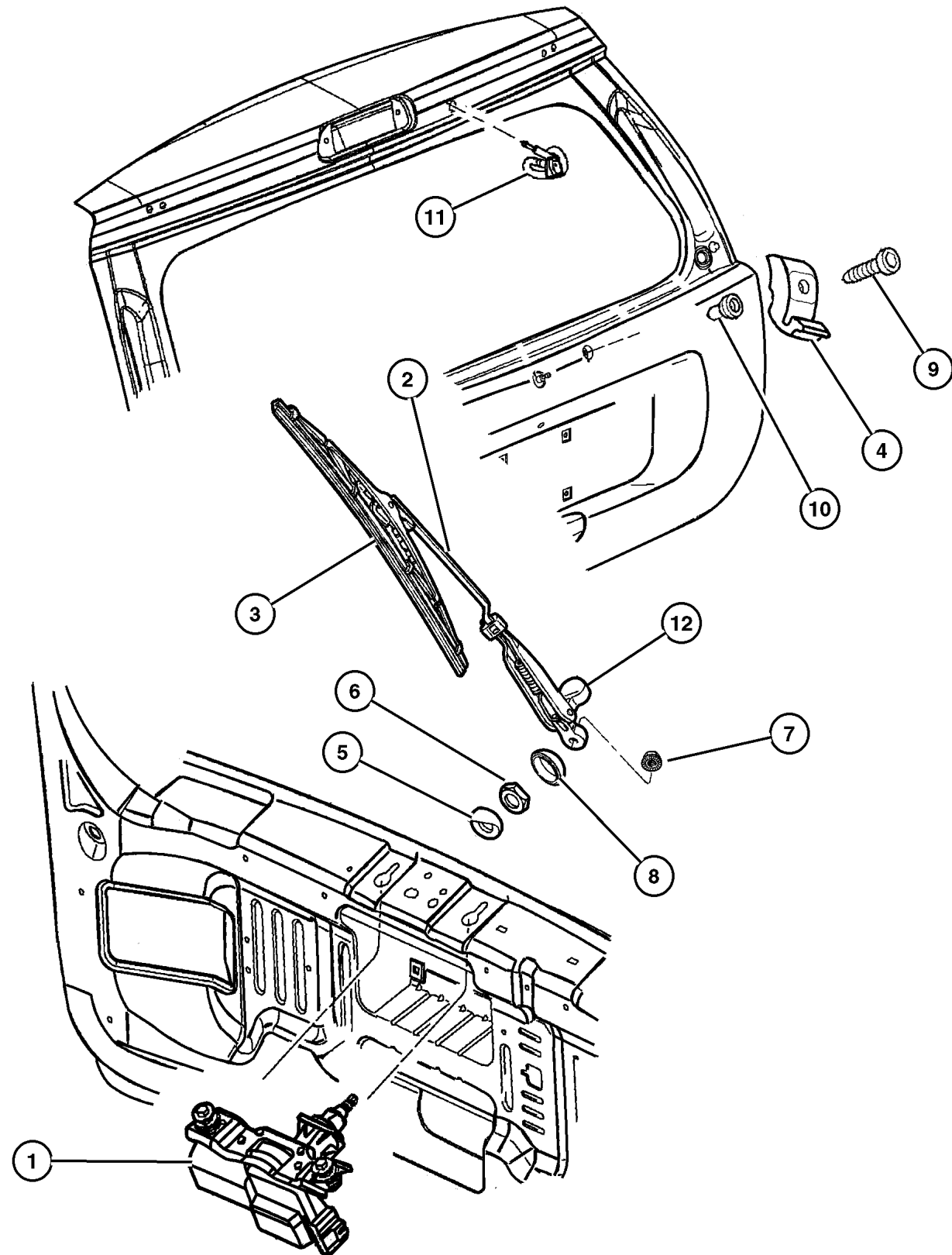
ITEM	PART NUMBER	QTY	LINE	BODY	DESCRIPTION
Notes: ake Shoe Return Spring Lower.					
[ER0]=4.0L Engine ake Shoe Return Spring Lower.					
[EV0]=4.7L Engine ake Shoe Return Spring Lower.					
1	#55155 092AD	1			MODULE, Wiper, Wiper Motor Included
2					ARM, Wiper
	5012 605AA	1			Passenger Side
	5012 606AA	1			Drivers Side
3	5012 611AB	1			BLADE, Wiper, (Qty.2)
4	6503 335	2			NUT, Hex, M10X1.25
5	55155 765AA	2			CAP, Wiper Arm Nut
6	6100 568	4			BOLT AND WASHER, Implement Attaching
7	#5069 421AA	1			RESERVOIR, Washer
8	5012 603AA	1			CAP, Washer Reservoir
9	#55155 522AD	1			HOSE, Windshield Washer
10	4439 003	1			HOSE, Windshield Washer, 0156 ID=4MM
11	4778 224	1			CONNECTOR, Washer Hose, In Line
12	55077 301AB	1			PUMP, Washer, Windshield
13					SCREW, .250-14x.875, (NOT SERVICED)
-14	5515 5199	2			NOZZLE, Washer, Windshield
-15	4882 797	1			SENSOR, Washer Fluid Level
-16	5013 755AA	1			GROMMET, Washer Reservoir, Sensor Grommet
-17	5011 809AA	1			GROMMET, Windshield Washer Pump, Pump Grommet
-18	3799 520	1			GROMMET, Hose to Reservoir
-19	55155 694AB	1			HOSE, Washer Reservoir
-20	4805 409AA	1			CLIP, Washer Hose
-21	HWV00 532AB	1			HOSE 1FT, Windshield Washer, 5/32"
-22	HWV00 764AB	1			HOSE 1FT, Windshield Washer, 7/64"

JEEP GRAND CHEROKEE (WJ)				
SERIES	LINE	BODY	ENGINE	TRANSMISSION
H = Laredo	J = 4WD	74 = 4 Door	ERH = 4.0L, Power Tech I-6	DGK = 4 Speed Autm, 42RE
M = Sport	T = 2WD		EVA = 4.7L, Power Tech V8	DGQ = 5 Speed Automatic, 45RFE
P = Limited			EVC = 4.7L HO V8 MPI	DG0 = All Automatic Transm
S = Overland			ERO = All 4.0L 6 Cyl Gas	
			EVO = All 4.7L Gas	

AR = Use as required - = Non illustrated part # = New this model year

May 1, 2002

Rear Wiper & Washer System Figure 23D-330



ITEM	PART NUMBER	QTY	LINE	BODY	DESCRIPTION
1	55155 122AD	1			MOTOR, Wiper
2	5012 610AB	1			ARM, Liftgate Wiper
3	5012 615AB	1			BLADE, Wiper
4	5515 5124	1			RAMP, Wiper Park
5	5515 5358	1			BEZEL, Wiper Motor
6	6502 263	1			NUT, Hex, M20x1.00
7	6500 165	1			NUT, Wiper Arm
8	5507 6650	1			COVER, Rear Wiper Motor, Nut
9	6505 062AA	1			SCREW, Pilot Point
10	6503 245	1			NUT/RIVET, Cooler To Closure Panel
11	55155 201AC	1			NOZZLE, Washer, Windshield
12	5014 217AA	1			COVER, Rear Wiper Motor
-13	55077 241AB	1			PUMP, Washer, Windshield
-14	4882 797	1			SENSOR, Washer Fluid Level
-15	5515 5524	1			HOSE, Windshield Washer, Rear Window Washers

JEEP GRAND CHEROKEE (WJ)

SERIES	LINE	BODY	ENGINE	TRANSMISSION
H = Laredo	J = 4WD	74 = 4 Door	ERH = 4.0L, Power Tech I-6	DGK = 4 Speed Autm, 42RE
M = Sport	T = 2WD		EVA = 4.7L, Power Tech V8	DGQ = 5 Speed Automatic, 45RFE
P = Limited			EVC = 4.7L HO V8 MPI	DG0 = All Automatic Transm
S = Overland			ERO = All 4.0L 6 Cyl Gas	
			EVO = All 4.7l Gas	

AR = Use as required - = Non illustrated part # = New this model year

May 1, 2002

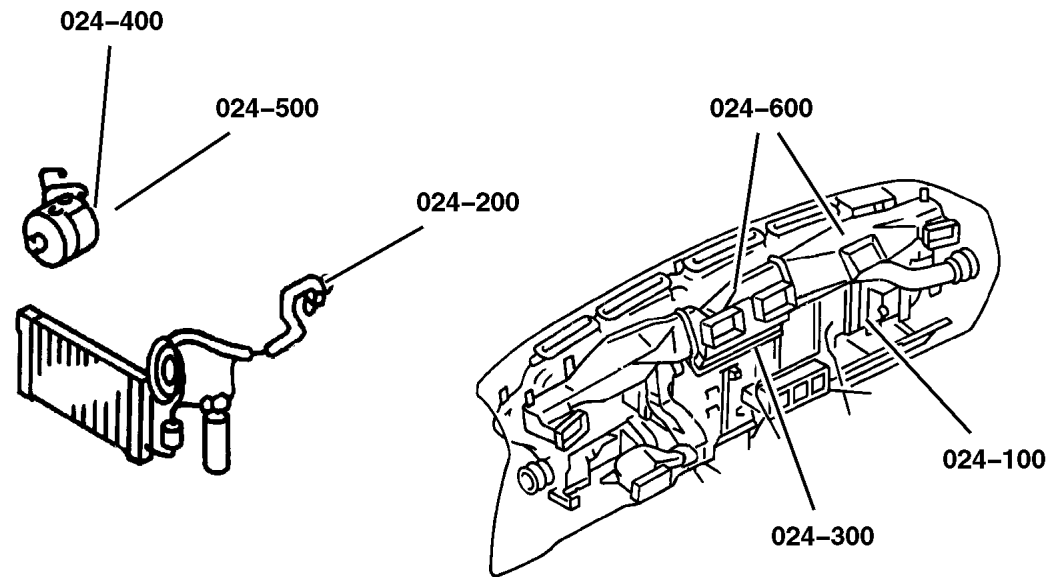
Group – 024

Air Conditioning & Heater

GROUP 24 - Air Conditioning & Heater

Illustration Title

Group-Fig. No.



Air Conditioner and Heater Units

HEVAC with Auto Temp Control, LHD Fig. 024-150

HEVAC with Manual Control, LHD Fig. 024-170

Air Conditioner and Heater Plumbing

Hoses, Heater 4.0L Engine Fig. 024-240

Hoses, Heater 4.7L Engine Fig. 024-245

Accumulator, Condenser and Lines 4.0L Engines Fig. 024-250

Accumulator, Condenser and Lines 4.7L Engine Fig. 024-255

Hevac Vacuum Engine Lines and Controls Fig. 024-260

Air Conditioner and Heater Controls

Control, Heater and Air Conditioner Fig. 024-330

Air Conditioning Compressor

Compressor, Air Conditioning 4.0L Engine Fig. 024-410

Compressor, Air Conditioning 4.7L Engine Fig. 024-420

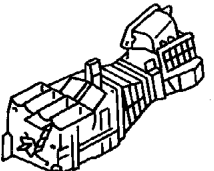
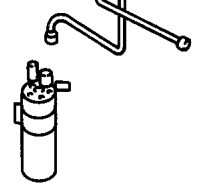
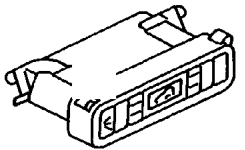
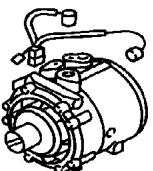
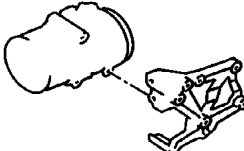
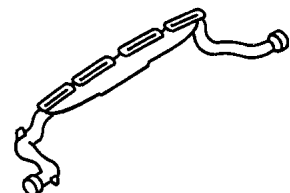
Air Conditioning Compressor Mounting

Compressor, Mounting 4.0L Engine Fig. 024-510

Compressor, Mounting 4.7L Engine Fig. 024-520

Air Ducts and Outlets

Air Ducts and Outlets Fig. 024-610

<p>024-100 Air Conditioner and Heater Units</p> 	<p>024-200 Air Conditioner and Heater Plumbing</p> 	<p>024-300 Air Conditioner and Heater Controls</p> 	<p>024-400 Air Conditioning Compressor</p> 
<p>024-500 Air Conditioning Compressor Mounting</p> 	<p>024-600 Air Ducts and Outlets</p> 		

HEVAC with Auto Temp Control, LHD
Figure 024-150

ITEM	PART NUMBER	QTY	LINE	BODY	ENGINE	DESCRIPTION
------	-------------	-----	------	------	--------	-------------

Note: Sales Codes: ake Shoe Return Spring Lower.

EVO = All 4.7L Gas Engines ake Shoe Return Spring Lower.

HAF = Auto Temp Control ake Shoe Return Spring Lower.

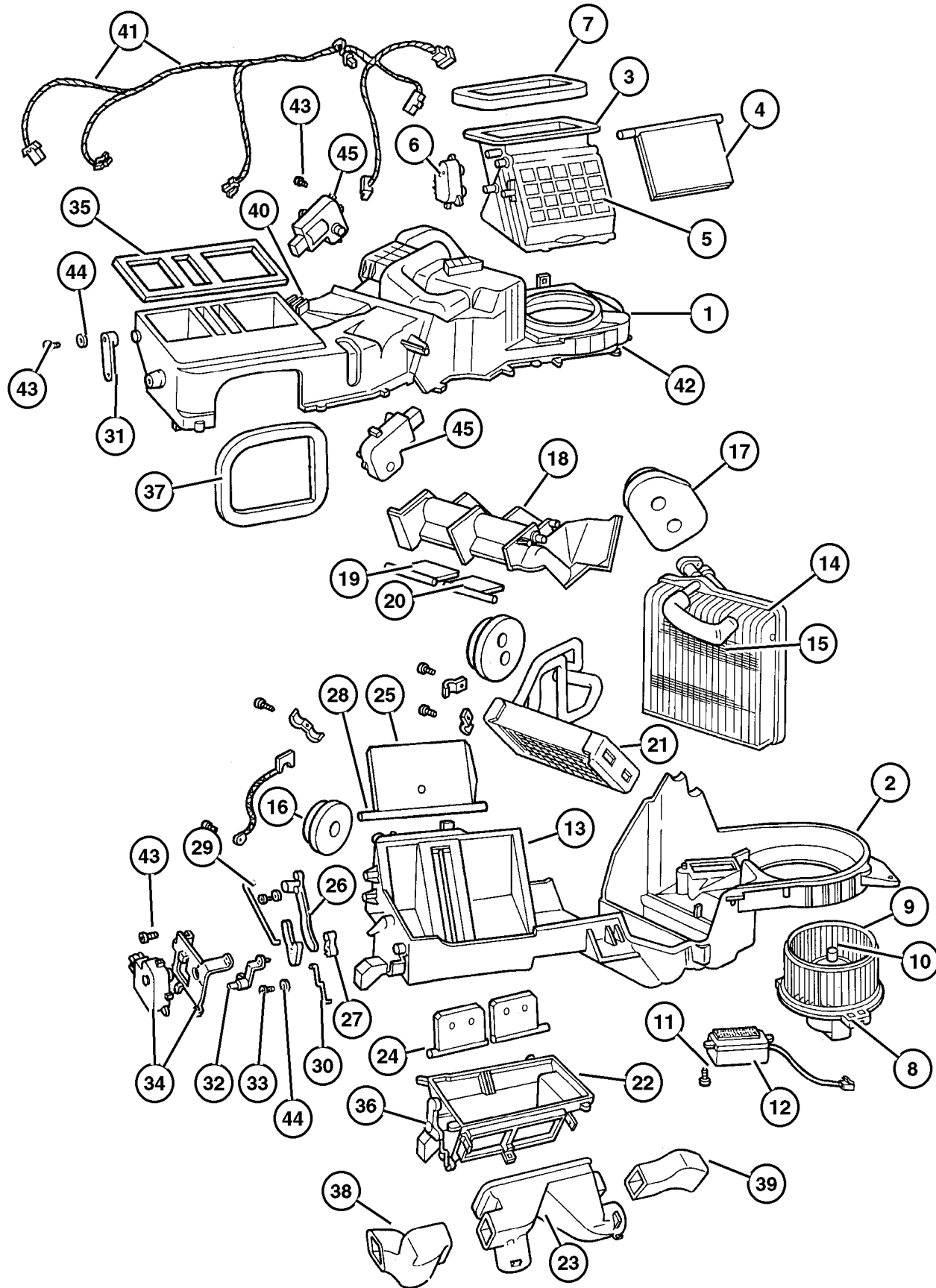
1	#5073 483AA	1				CASE, Heater And A/C Unit, Upper
2	#5073 482AA	1				CASE, Heater And A/C Unit, Lower
3	5012 713AB	1				HOUSING, Air Recirculating
4	5012 712AA	1				DOOR, Air Inlet
5	5012 711AA	3				LINK, Heater and Damper Contrl
6	5012 710AA	2				SERVO, A/C Temperature Door
7	5012 709AA	1				SEAL, Air Inlet
8	#5073 486AA	1				MOTOR, Blower
9	5012 701AB	1				FAN, Blower Motor
10	2837 680	1				CLAMP, Blower Motor Wheel
11	5012 700AA	3				SCREW, Tapping
12	5012 699AA	1				RESISTOR, Blower Motor
13	5012 698AB	1				INSULATOR, Air Conditioning
14	#5073 481AA	1				EVAPORATOR, Air Conditioning
15	#5073 364AA	1				THERMISTOR, A/C Evaporator Air, Probe
16	5012 696AA	1				SEAL, Evaporator Drain
17						SEAL, A/C Evaporator
	#5061 014AA	1				Small
	#5061 015AA	1				Large
18	5012 743AA	1				HOUSING, A/C Unit
19	5012 693AA	1				DOOR, Blend Air
20	5012 692AA	1				DOOR, Blend Air
21	5012 691AB	1				CORE, Heater
22	5012 743AA	1				HOUSING, A/C Unit
23	5012 742AB	1				COVER, Heater
24	5012 740AA	1				DOOR, Distribution Duct
25	5012 739AA	1				DOOR, Floor Defroster Duct
26	5012 738AA	1				LEVER, Panel Door
27	5012 735AA	1				LEVER, Panel Door
28	5012 734AA	1				SHAFT, A/C and Heater Door
29	5012 733AA	1				LINK, Heater and Defroster Door
30	5012 732AA	1				SHAFT, Defroster Door
31	5012 731AA	1				LEVER, A/C Vent Defrost Door
32	5012 730AA	1				LEVER, Panel Door
33	5012 729AA	2				SCREW, Tapping
34	5012 728AA	1				SERVO, Mode Door
35	5012 727AA	1				SEAL, Demister
36	5012 726AA	1				SEAL, Defroster Duct
37	5015 354AA	1				SEAL, Panel

JEEP GRAND CHEROKEE (WJ)

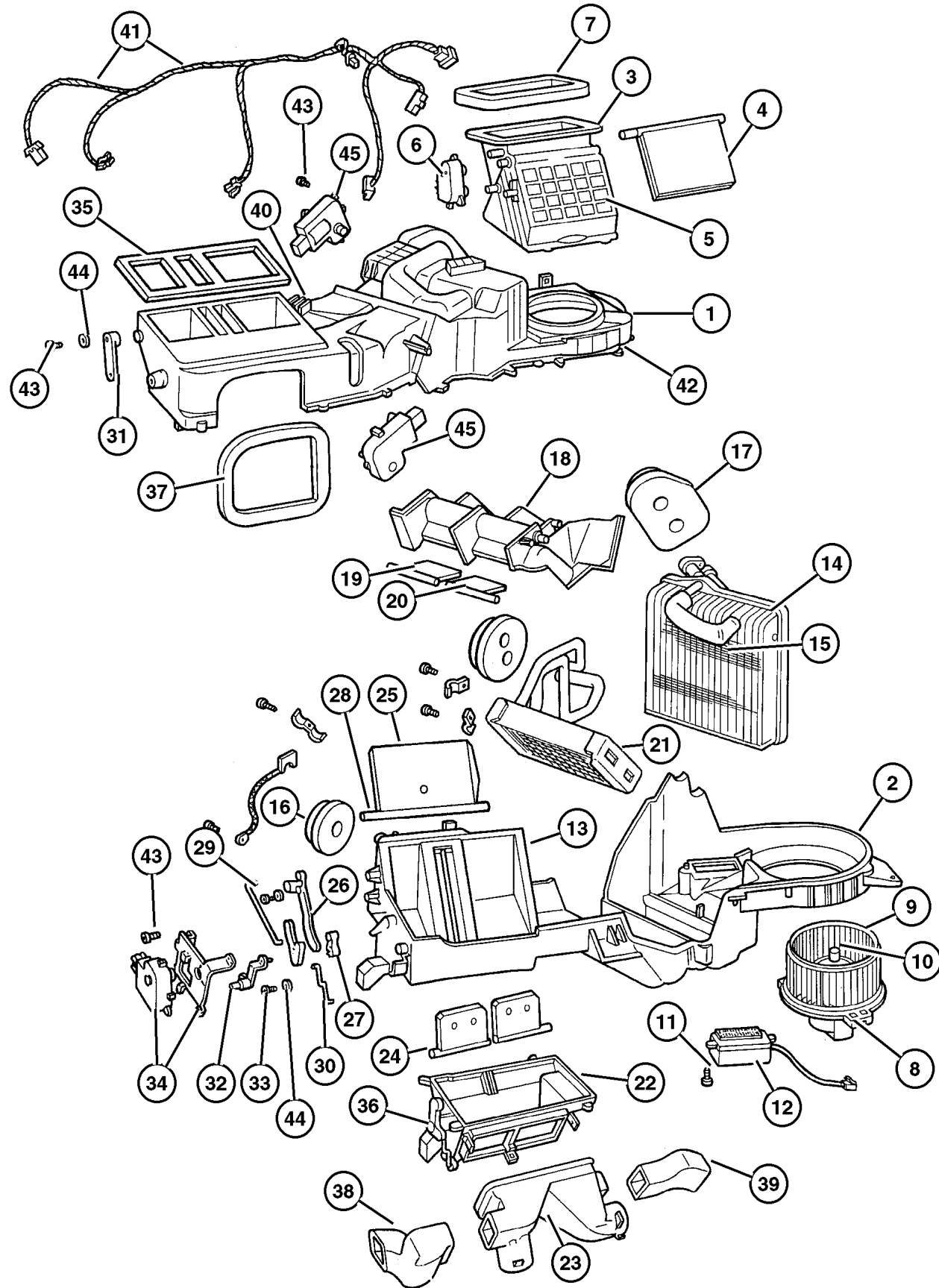
SERIES	LINE	BODY	ENGINE	TRANSMISSION
H = Laredo	J = 4WD	74 = 4 Door	ERH = 4.0L, Power Tech I-6	DGK = 4 Speed Autm, 42RE
M = Sport	T = 2WD		EVA = 4.7L, Power Tech V8	DGQ = 5 Speed Automatic, 45RFE
P = Limited			EVC = 4.7L HO V8 MPI	DG0 = All Automatic Transm
S = Overland			ERO = All 4.0L 6 Cyl Gas	
			EVO = All 4.7L Gas	

AR = Use as required - = Non illustrated part # = New this model year

May 1, 2002



HEVAC with Auto Temp Control, LHD
Figure 024-150



ITEM	PART NUMBER	QTY	LINE	BODY	ENGINE	DESCRIPTION
38	5012 722AD	1				DUCT, Floor Distribution
39	5012 722AA	1				DUCT, Floor Distribution
40	5012 721AA	1				SEAL, Air Conditioning Unit
41	#5073 485AA	1				HARNES
42	4720 533	32				SCREW, Heater Housing
43	4720 534	3				SCREW, Pan Head
44	5012 756AA	5				SPRING
45	5012 710AA	2				SERVO, A/C Temperature Door

JEEP GRAND CHEROKEE (WJ)		BODY	ENGINE	TRANSMISSION
SERIES	LINE	74 = 4 Door	ERH = 4.0L, Power Tech I-6	DGK = 4 Speed Autm, 42RE
H = Laredo	J = 4WD		EVA = 4.7L, Power Tech V8	DGQ = 5 Speed Automatic, 45RFE
M = Sport	T = 2WD		EVC = 4.7L HO V8 MPI	DG0 = All Automatic Transm
P = Limited			ERO = All 4.0L 6 Cyl Gas	
S = Overland			EVO = All 4.7l Gas	

AR = Use as required - = Non illustrated part # = New this model year

May 1, 2002

HEVAC with Manual Control, LHD
Figure 024-170

ITEM	PART NUMBER	QTY	LINE	BODY	ENGINE	DESCRIPTION
------	-------------	-----	------	------	--------	-------------

Note: Sales Code ake Shoe Return Spring Lower.
EVO = All 4.7L Gas Engines ake Shoe Return Spring Lower.
HAA = Air Conditioning ake Shoe Return Spring Lower.

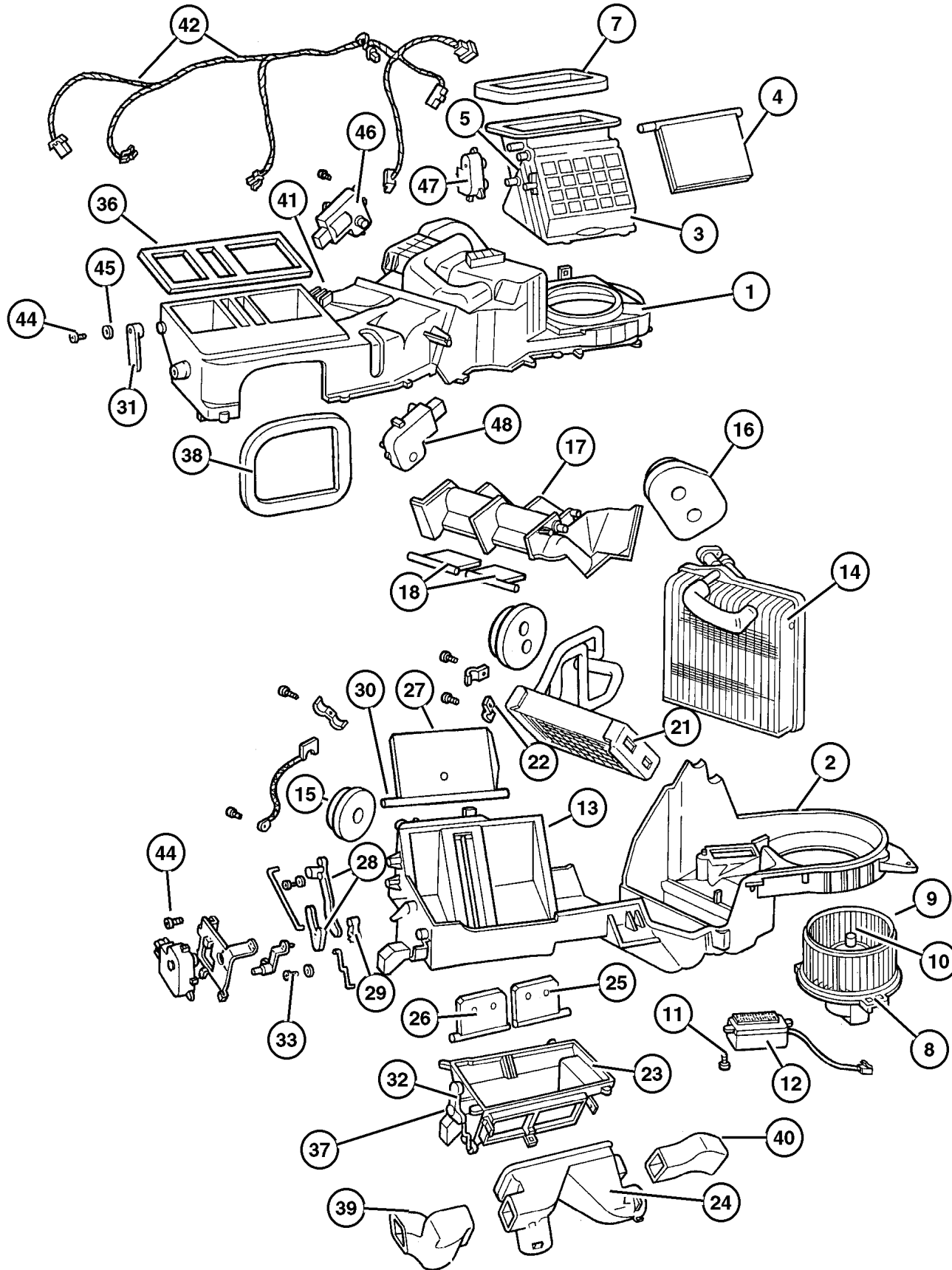
1						CASE, Heater And A/C Unit Middle
	#5073 480AA	1				Upper
	#5073 483AB	1				Upper
2	#5073 487AA	1				CASE, Heater And A/C Unit, Lower
3	5012 754AB	1				HOUSING, Air Recirculating
4	5012 712AA	1				DOOR, Air Inlet
5	5012 753AA	1				LEVER, A/C Recirculation Door
-6	5012 752AA	1				DIAPHRAGM, Heater and A/C Unit
7	5012 709AA	1				SEAL, Air Inlet
8	#5073 486AA	1				MOTOR, Blower
9	5012 701AB	1				FAN, Blower Motor
10	2837 680	1				CLAMP, Blower Motor Wheel
11	5012 700AA	3				SCREW, Tapping
12	5014 212AA	1				RESISTOR, Blower Motor
13	5012 698AB	1				INSULATOR, Air Conditioning
14	#5073 481AA	1				EVAPORATOR, Air Conditioning
15	5012 696AA	1				SEAL, Evaporator Drain
16	#5061 014AA	1				SEAL, A/C Evaporator
17	5012 762AA	1				HOUSING, A/C Unit
18	5012 751AA	1				DOOR, Blend Air
-19	5012 711AA	3				LINK, Heater and Damper Contrl
-20	5012 750AA	1				SERVO, A/C Temperature Door
21	5012 691AC	1				CORE, Heater
22	5012 745AA	1				CLAMP, Heater
23	5012 762AA	1				HOUSING, A/C Unit
24	5012 742AB	1				COVER, Heater
25	5012 741AA	1				DOOR, Panel
26	5012 740AA	1				DOOR, Distribution Duct
27	5012 739AA	1				DOOR, Floor Defroster Duct
28	5012 738AA	1				LEVER, Panel Door
29	5012 735AA	1				LEVER, Panel Door
30	5012 734AA	1				SHAFT, A/C and Heater Door
31	5012 731AA	1				LEVER, A/C Vent Defrost Door
32	5012 761AA	1				LEVER, Panel Door
33	5012 729AA	1				SCREW, Tapping
-34	5012 760AA	1				DIAPHRAGM, Heater and A/C Unit
-35	5012 759AA	1				DIAPHRAGM, Heater and A/C Unit
36	5012 727AA	1				SEAL, Demister
37	5012 726AA	1				SEAL, Defroster Duct

JEEP GRAND CHEROKEE (WJ)

SERIES	LINE	BODY	ENGINE	TRANSMISSION
H = Laredo	J = 4WD	74 = 4 Door	ERH = 4.0L, Power Tech I-6	DGK = 4 Speed Autm, 42RE
M = Sport	T = 2WD		EVA = 4.7L, Power Tech V8	DGQ = 5 Speed Automatic, 45RFE
P = Limited			EVC = 4.7L HO V8 MPI	DG0 = All Automatic Transm
S = Overland			ERO = All 4.0L 6 Cyl Gas	
			EVO = All 4.7L Gas	

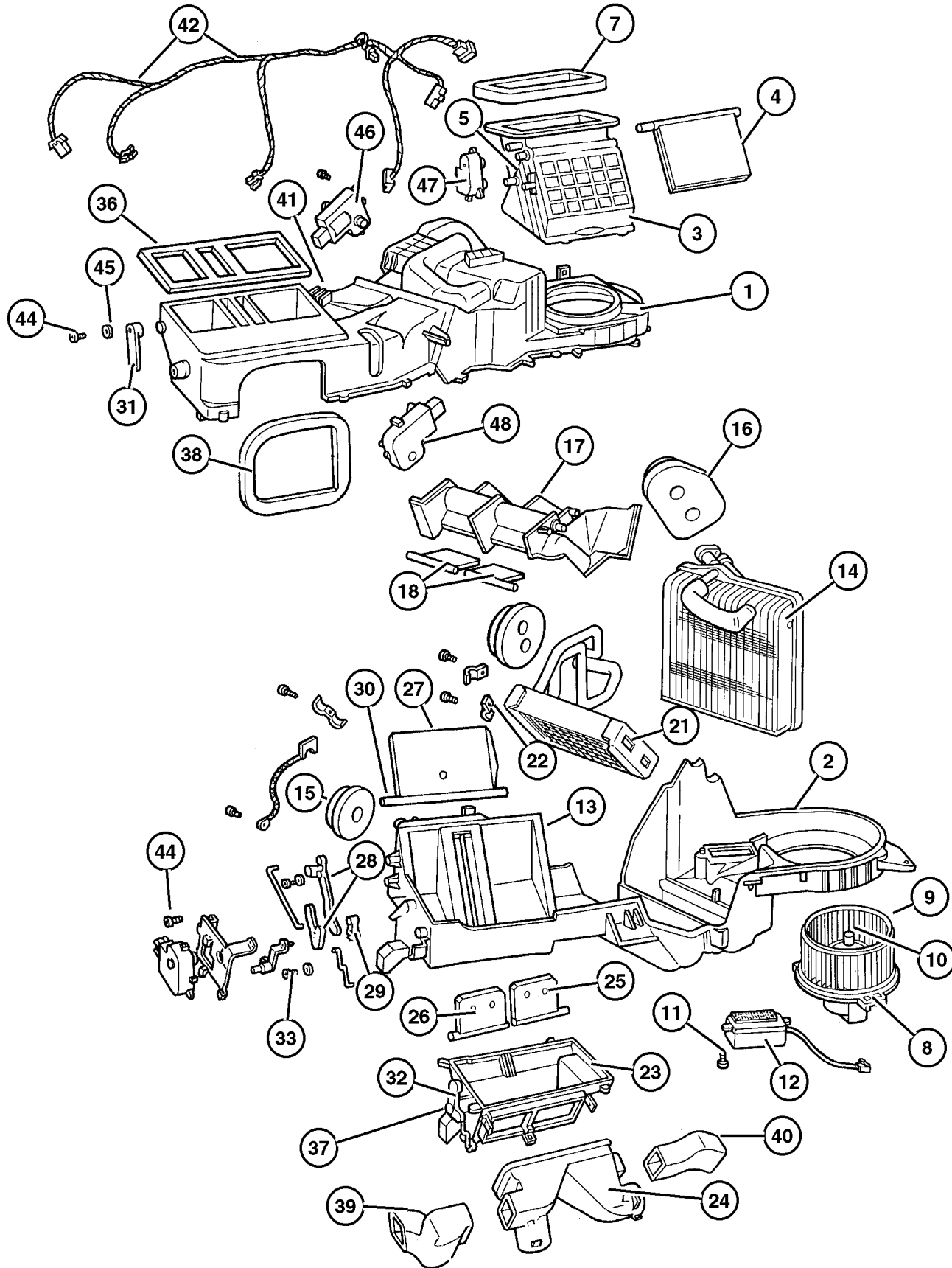
AR = Use as required - = Non illustrated part # = New this model year

May 1, 2002



HEVAC with Manual Control, LHD
Figure 024-170

ITEM	PART NUMBER	QTY	LINE	BODY	ENGINE	DESCRIPTION
38	5015 355AA	1				SEAL, Panel
39	5012 722AD	1				DUCT, Floor Distribution
40	5012 722AD	1				DUCT, Floor Distribution
41	5012 721AA	1				SEAL, Air Conditioning Unit
42	#5073 364AA	1				THERMISTOR, A/C Evaporator Air
-43	5012 757AC	1				TUBE, Vacuum
44	4720 533	32				SCREW, Heater Housing
45	4720 534	3				SCREW, Pan Head
46	5012 756AA	5				SPRING
47	5012 750AA	1				SERVO, A/C Temperature Door
48	5012 750AA	1				SERVO, A/C Temperature Door



JEEP GRAND CHEROKEE (WJ)
 SERIES LINE BODY ENGINE TRANSMISSION
 H = Laredo J = 4WD 74 = 4 Door ERH = 4.0L, Power Tech I-6 DGK = 4 Speed Autm, 42RE
 M = Sport T = 2WD EVA = 4.7L, Power Tech V8 DGQ = 5 Speed Automatic, 45RFE
 P = Limited EVC = 4.7L HO V8 MPI DG0 = All Automatic Transm
 S = Overland ERO = All 4.0L 6 Cyl Gas
 EVO = All 4.7L Gas

AR = Use as required - = Non illustrated part # = New this model year

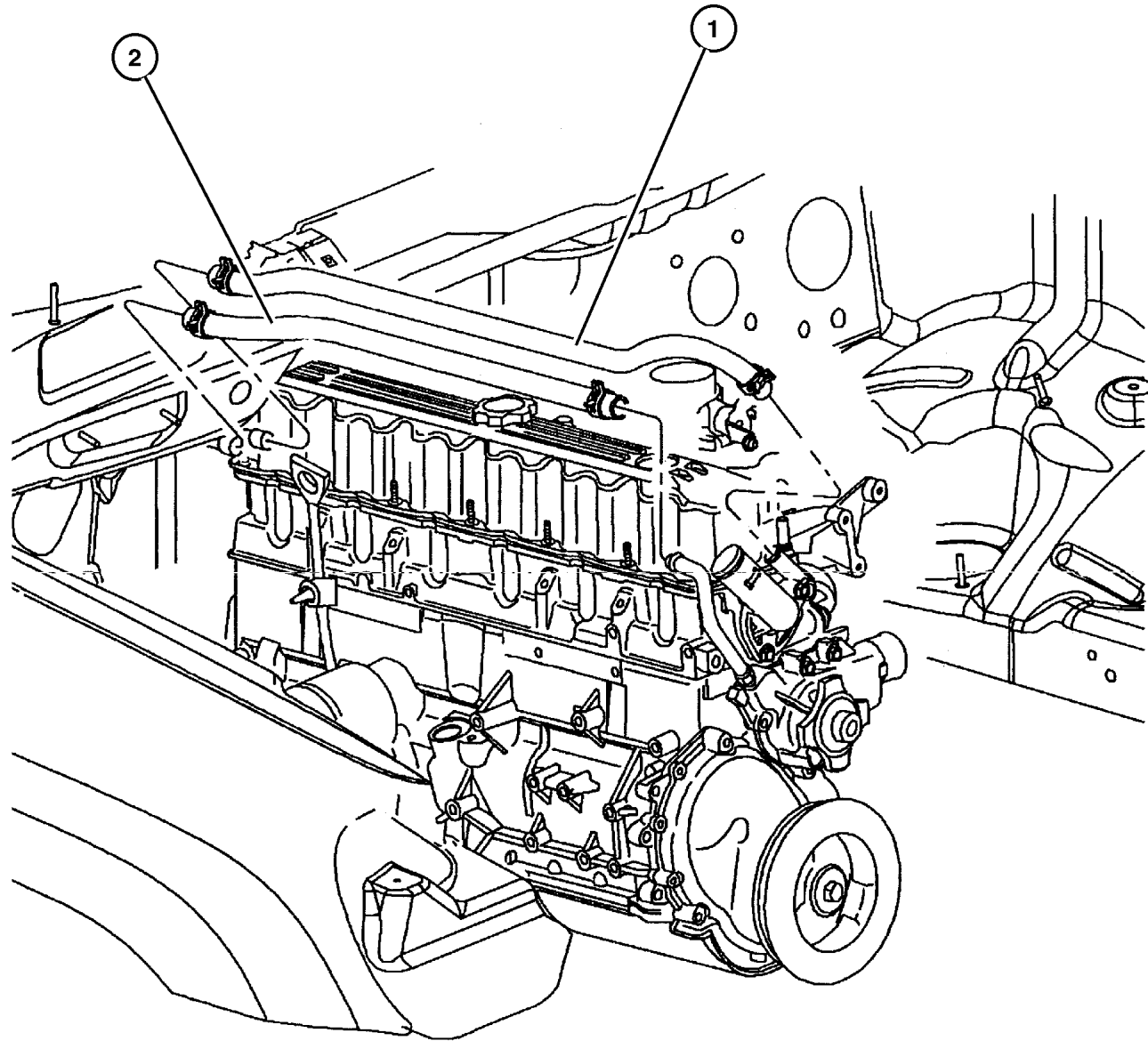
May 1, 2002

Hoses, Heater 4.0L Engine
Figure 024-240

ITEM	PART NUMBER	QTY	LINE	BODY	ENGINE	DESCRIPTION
------	-------------	-----	------	------	--------	-------------

Note: Sales Code ER0 = 4.0 L Engine ake Shoe Return Spring Lower.

1	5511 5890	1			ER0	HOSE, Heater Supply
2	5511 5897	1			ER0	HOSE, Heater Return



JEEP GRAND CHEROKEE (WJ)				
SERIES	LINE	BODY	ENGINE	TRANSMISSION
H = Laredo	J = 4WD	74 = 4 Door	ERH = 4.0L, Power Tech I-6	DGK = 4 Speed Autm, 42RE
M = Sport	T = 2WD		EVA = 4.7L, Power Tech V8	DGQ = 5 Speed Automatic, 45RFE
P = Limited			EVC = 4.7L HO V8 MPI	DG0 = All Automatic Transm
S = Overland			ERO = All 4.0L 6 Cyl Gas	
			EVO = All 4.7l Gas	

AR = Use as required - = Non illustrated part # = New this model year

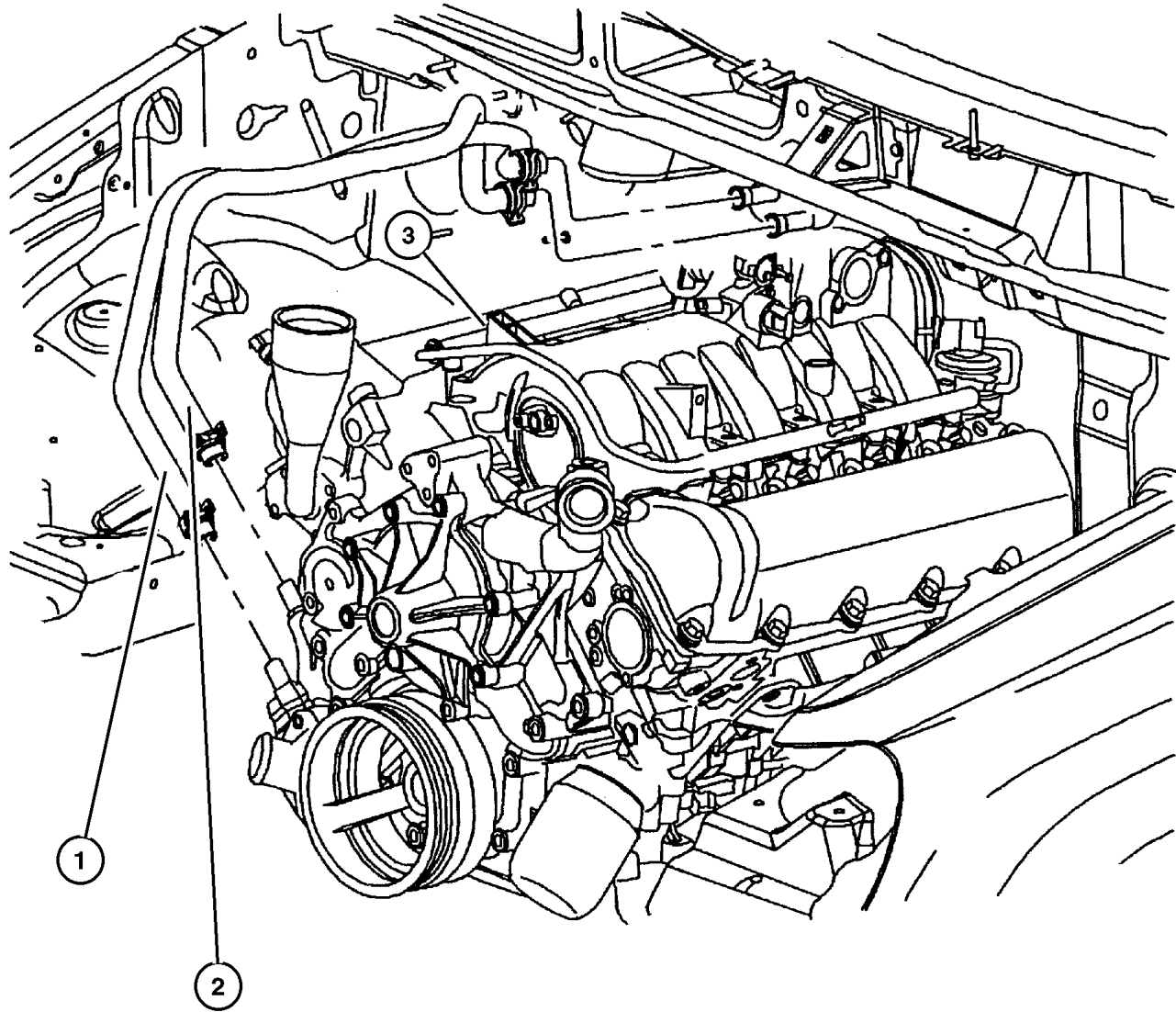
May 1, 2002

Hoses, Heater 4.7L Engine
Figure 024-245

ITEM	PART NUMBER	QTY	LINE	BODY	ENGINE	DESCRIPTION
------	-------------	-----	------	------	--------	-------------

Note: Sales Code EVO = 4.7 L Engine aka Shoe Return Spring Lower.

1	55115 895AB	1			EVO	TUBE AND HOSE, Supply
2	55115 896AB	1			EVO	TUBE AND HOSE, Return
3	55055 925AB	1			EVO	CLIP, Heater Hose

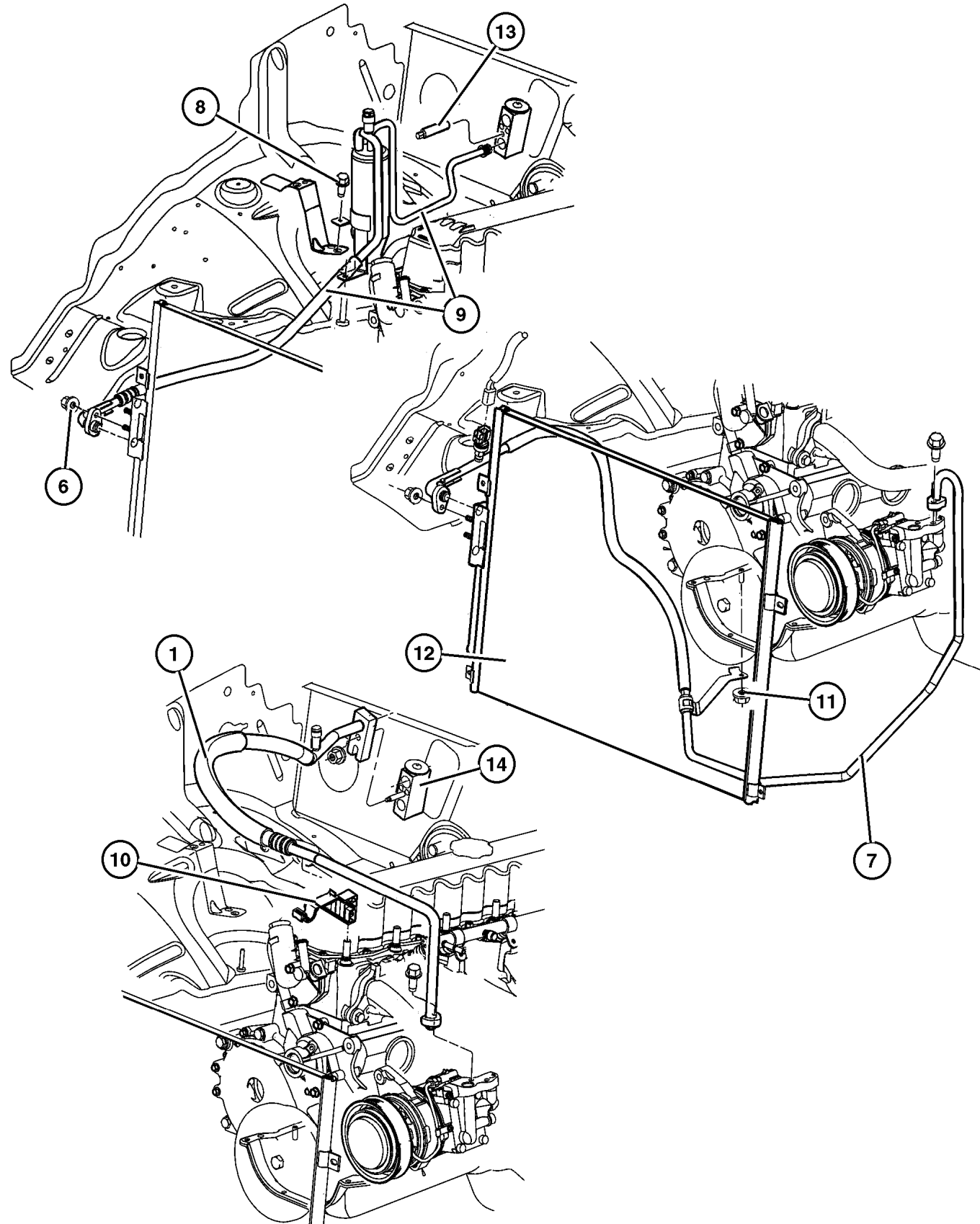


JEEP GRAND CHEROKEE (WJ)				
SERIES	LINE	BODY	ENGINE	TRANSMISSION
H = Laredo	J = 4WD	74 = 4 Door	ERH = 4.0L, Power Tech I-6	DGK = 4 Speed Autm, 42RE
M = Sport	T = 2WD		EVA = 4.7L, Power Tech V8	DGQ = 5 Speed Automatic, 45RFE
P = Limited			EVC = 4.7L HO V8 MPI	DG0 = All Automatic Transm
S = Overland			ERO = All 4.0L 6 Cyl Gas	
			EVO = All 4.7I Gas	

AR = Use as required - = Non illustrated part # = New this model year

May 1, 2002

Accumulator, Condenser and Lines 4.0L Engines Figure 024-250

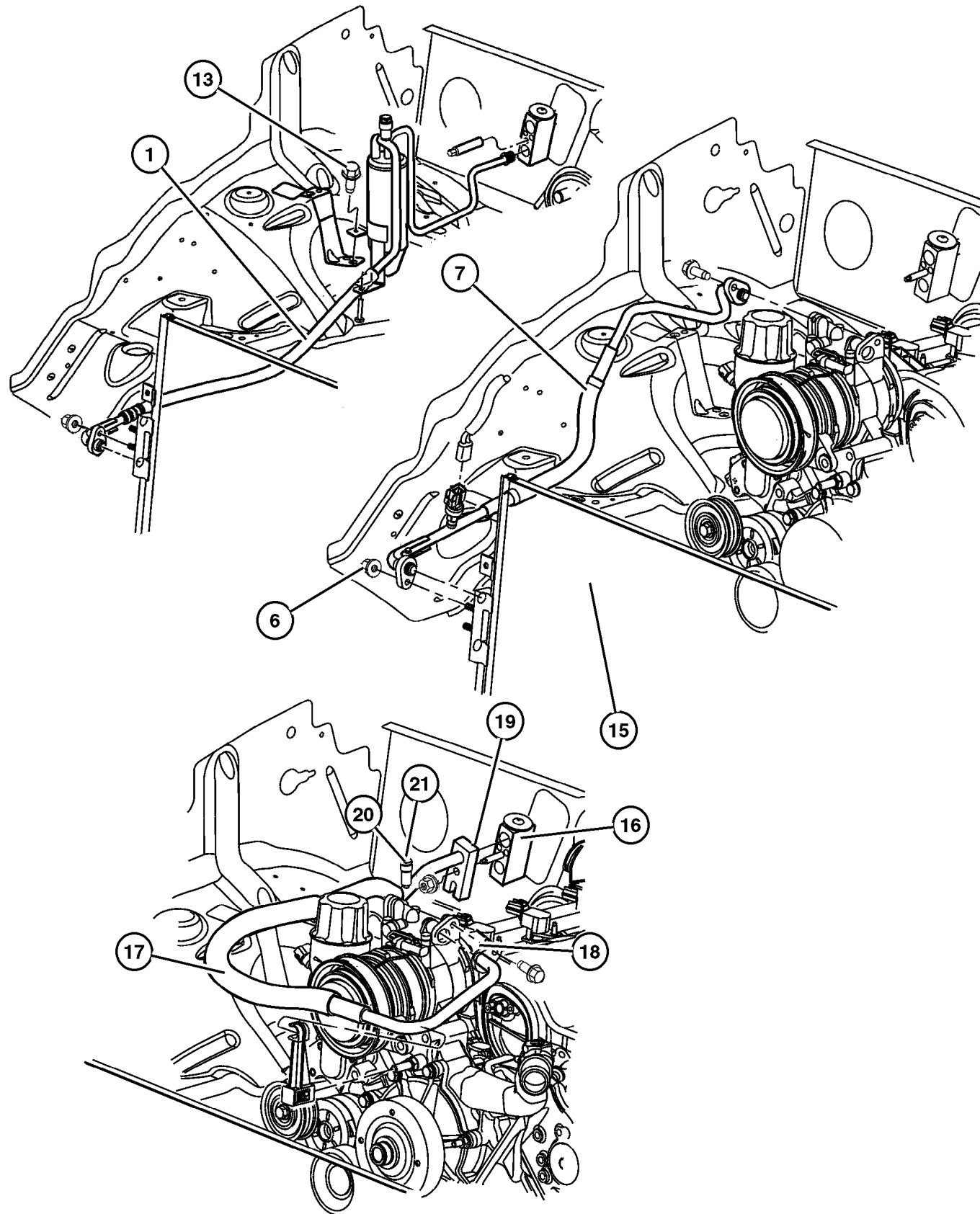


ITEM	PART NUMBER	QTY	LINE	BODY	ENGINE	DESCRIPTION
Note: Sales Code ER0 = All 4.0L Engines ake Shoe Return Spring Lower.						
Note: Sales Code EV0 = All 4.7L Gas Engines ake Shoe Return Spring Lower.						
Note: Sales Code EX0 = All 3.1L Engines ake Shoe Return Spring Lower.						
1						LINE, A/C Suction
	#55116 555AB	1			ER0	
	#55116 556AB	1			EV0	
-2	5012 981AA	1			ER0	O RING, A/C Suction Line
-3	5066 500AA	1			ER0	O RING, A/C Line
-4	#5073 260AA	1			ER0	CAP
-5	5011 346AA	1			ER0	VALVE CORE, Service Port
6	6101 445	1				NUT AND WASHER, Hex Nut-Coned Washer, M8 x 1.25
7	#55117 262AB	1			ER0	LINE, A/C Discharge
8	6102 132AA	2				SCREW, Hex Head, M6x1x20
9	#55116 560AC	1			ER0, EV0	LINE, A/C Receiver Outlet
10	55116 419AB	1			ER0	BRACKET, Hose
11	6033 560	1			ER0	NUT AND WASHER, Hex Nut-Coned Washer, .25-20
12	55115 918AC	1			ER0	CONDENSER, Air Conditioning
13						STUD, 06507440AA, (NOT SERVICED)
14	#4885 974AC	1				VALVE, A/C Expansion

JEEP GRAND CHEROKEE (WJ)				
SERIES	LINE	BODY	ENGINE	TRANSMISSION
H = Laredo	J = 4WD	74 = 4 Door	ERH = 4.0L, Power Tech I-6	DGK = 4 Speed Autm, 42RE
M = Sport	T = 2WD		EVA = 4.7L, Power Tech V8	DGQ = 5 Speed Automatic, 45RFE
P = Limited			EVC = 4.7L HO V8 MPI	DG0 = All Automatic Transm
S = Overland			ERO = All 4.0L 6 Cyl Gas	
			EVO = All 4.7I Gas	

AR = Use as required - = Non illustrated part # = New this model year

Accumulator, Condenser and Lines 4.7L Engine Figure 024-255



ITEM	PART NUMBER	QTY	LINE	BODY	ENGINE	DESCRIPTION
Note: Sales Code ER0 = All 4.0L Engines ake Shoe Return Spring Lower.						
Note: Sales Code EV0 = All 4.7L Gas Engines ake Shoe Return Spring Lower.						
1	#55116 560AC	1			ER0, EV0	LINE, A/C Receiver Outlet
-2	#5073 291AA	1			ER0, EV0	O RING, A/C Line
-3	#5073 292AA	1			ER0, EV0	O RING, A/C Line
-4	#5073 293AA	1			ER0, EV0	CLIP
-5	#5073 294AA	1			ER0, EV0	VALVE CORE, High Flow
	#5073 295AA	1			ER0, EV0	Chargeport
6	6101 445	1			ER0, EV0	NUT AND WASHER, Hex Nut-Coned Washer, M8 x 1.25
7	#55116 467AB	1			EV0	LINE, A/C Discharge
-8	#5073 617AA	1			ER0	TRANSDUCER, Pressure Sensor
-9	5080 519AA	1			ER0	O RING, A/C Line
-10	5080 520AA	1			ER0	O RING, A/C Line
-11	5011 346AA	1			ER0	VALVE CORE, Service Port
-12	5012 988AA	1			ER0	BRACKET, A/C Line
13	6502 064	6				SCREW, Tapping, M6x1x20
-14	#55116 809AA	1				LABEL, Refrigerant
15	55115 918AC	1			EV0	CONDENSER, Air Conditioning
16	#4885 974AA	1				VALVE, A/C Expansion
17	#55116 556AB	1			EV0	LINE, A/C Suction
18	5012 981AA	1			EV0	O RING, A/C Suction Line
19	5066 500AA	1			EV0	O RING, A/C Line
20	5011 346AA	1			EV0	VALVE CORE, Service Port
21	#5073 260AA	1			EV0	CAP

JEEP GRAND CHEROKEE (WJ)

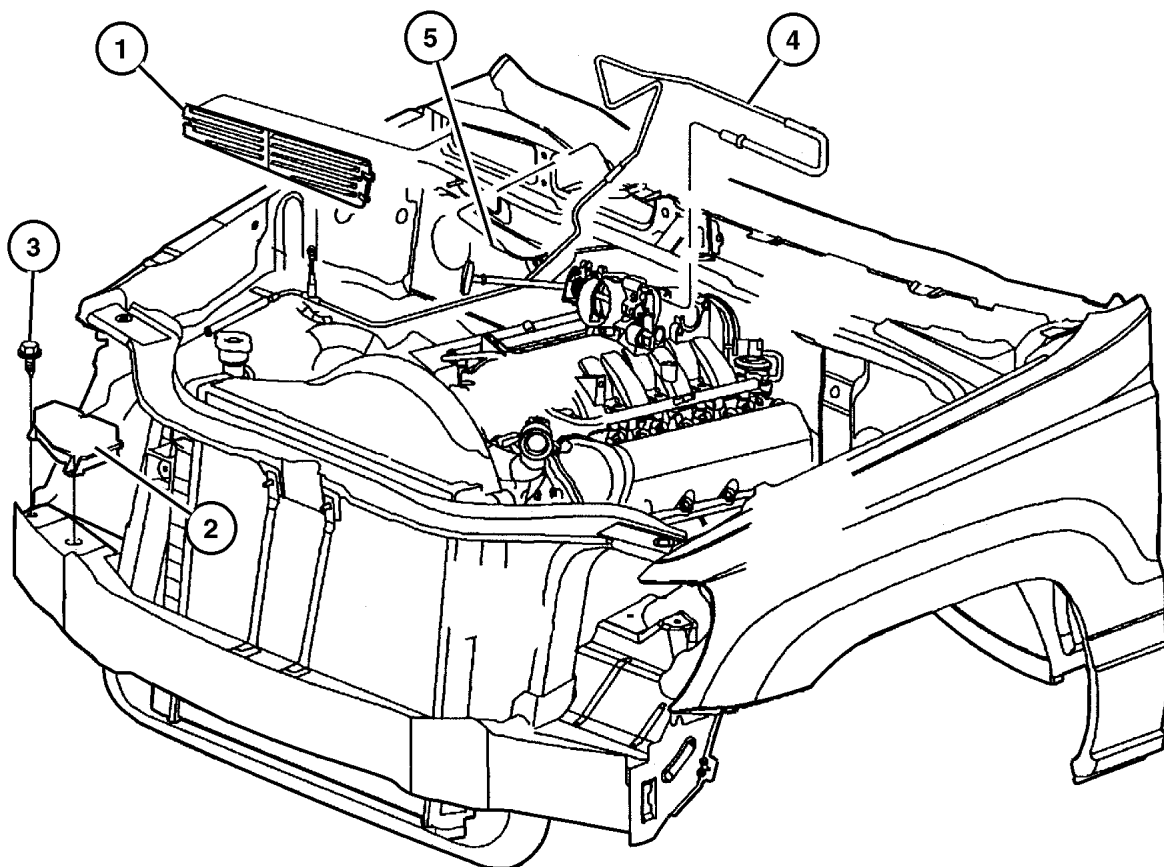
SERIES	LINE	BODY	ENGINE	TRANSMISSION
H = Laredo	J = 4WD	74 = 4 Door	ERH = 4.0L, Power Tech I-6	DGK = 4 Speed Autm, 42RE
M = Sport	T = 2WD		EVA = 4.7L, Power Tech V8	DGQ = 5 Speed Automatic, 45RFE
P = Limited			EVC = 4.7L HO V8 MPI	DG0 = All Automatic Transm
S = Overland			ER0 = All 4.0L 6 Cyl Gas	
			EVO = All 4.7L Gas	

AR = Use as required - = Non illustrated part # = New this model year

May 1, 2002

Hevac Vacuum Engine Lines and Controls Figure 024-260

ITEM	PART NUMBER	QTY	LINE	BODY	ENGINE	DESCRIPTION
ake Shoe Return Spring Lower.						
Note: Sales Code ERO = 4.0 L Engine ake Shoe Return Spring Lower.						
Note: Sales Code EX0 = 3.1 L Engine ake Shoe Return Spring Lower.						
Note: Sales Code EV0 = 4.7 L Engine ake Shoe Return Spring Lower.						
1	5511 5885	1				BAFFLE, Air
2	5511 5899	1			ERO, EVO	RESERVOIR, Vacuum
3						SCREW, Hex Flange Head Tapping, M4.8 x 1.59 x 14.00, (NOT SERVICED)
4						VACUUM HARNESS, Heater and A/C
	#55115 900AD	1			EVO	
	#55115 901AD	1			ERO	
5	3580 172	1				CAP, Vacuum



JEEP GRAND CHEROKEE (WJ)				
SERIES	LINE	BODY	ENGINE	TRANSMISSION
H = Laredo	J = 4WD	74 = 4 Door	ERH = 4.0L, Power Tech I-6	DGK = 4 Speed Autm, 42RE
M = Sport	T = 2WD		EVA = 4.7L, Power Tech V8	DGQ = 5 Speed Automatic, 45RFE
P = Limited			EVC = 4.7L HO V8 MPI	DG0 = All Automatic Transm
S = Overland			ERO = All 4.0L 6 Cyl Gas	
			EVO = All 4.7I Gas	

AR = Use as required - = Non illustrated part # = New this model year

May 1, 2002

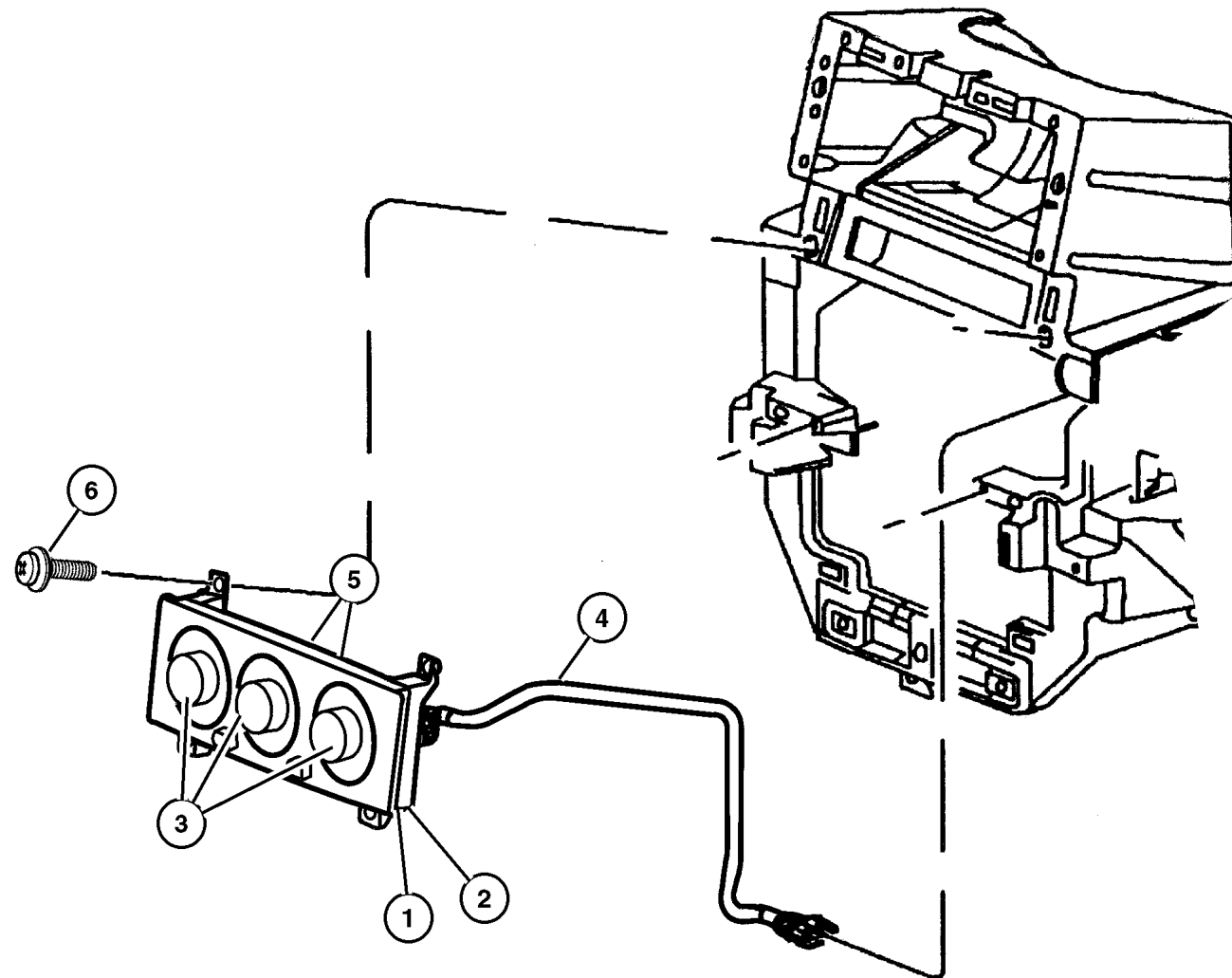
**Control, Heater and Air Conditioner
Figure 024-330**

ITEM	PART NUMBER	QTY	LINE	BODY	ENGINE	DESCRIPTION
------	-------------	-----	------	------	--------	-------------

Note: Sales Code HAA = Air Conditioning ake Shoe Return Spring Lower.

Note: Sales Code HAF = Auto Temp Control ake Shoe Return Spring Lower.

1	5511 5904	1				CONTROL, A/C And Heater
2	#55116 709AC	1				CONTROL, Auto Temp Control
3	5012 976AA	2				KNOB, ATC Control
4	5012 977AA	1				HARNESS, A/C And Heater Vacuum
5	5013 124AA	2				BULB, Heater and A/C Control
6						SCREW, Tapping, (NOT SERVICED)



JEEP GRAND CHEROKEE (WJ)

SERIES	LINE	BODY	ENGINE	TRANSMISSION
H = Laredo	J = 4WD	74 = 4 Door	ERH = 4.0L, Power Tech I-6	DGK = 4 Speed Autm, 42RE
M = Sport	T = 2WD		EVA = 4.7L, Power Tech V8	DGQ = 5 Speed Automatic, 45RFE
P = Limited			EVC = 4.7L HO V8 MPI	DG0 = All Automatic Transm
S = Overland			ERO = All 4.0L 6 Cyl Gas	
			EVO = All 4.7l Gas	

AR = Use as required - = Non illustrated part # = New this model year

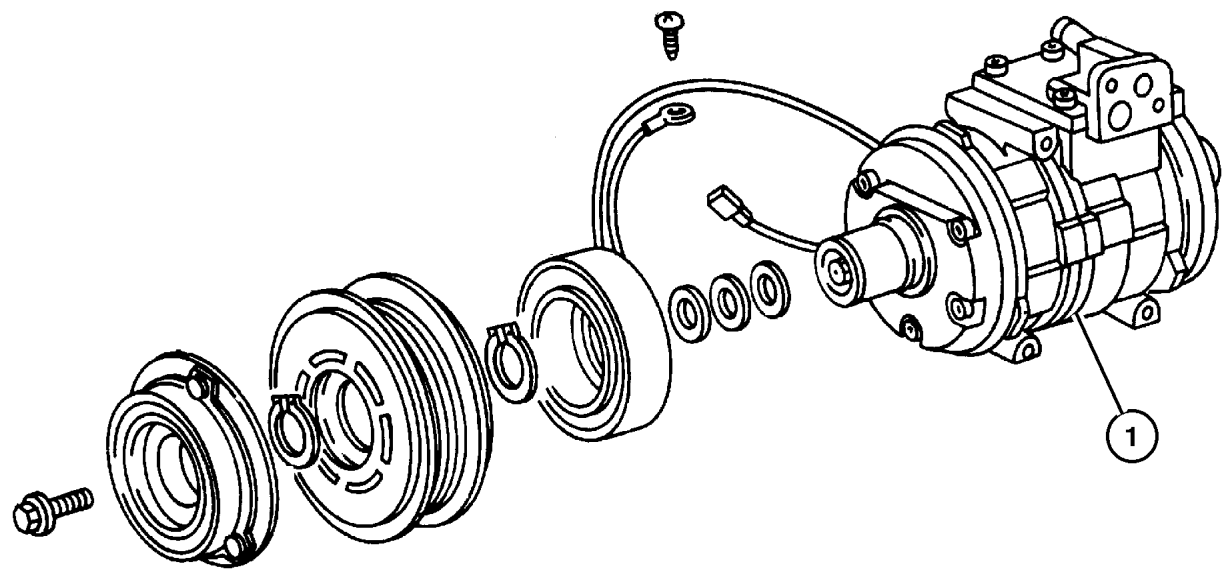
May 1, 2002

**Compressor, Air Conditioning 4.0L Engine
Figure 024-410**

ITEM	PART NUMBER	QTY	LINE	BODY	ENGINE	DESCRIPTION
------	-------------	-----	------	------	--------	-------------

Note: Sales Code ER0 = 4.0 L Engine ake Shoe Return Spring Lower.

1	#55116 807AA	1			ER0	COMPRESSOR, Air Conditioning
-2	5014 413AA	1			ER0	MANIFOLD KIT, A/C Compressor
-3	4728 854	1			ER0	SEAL, Manifold To Compressor
-4	55116 423AA	1			ER0	BOLT, A/C Line Mounting
-5	5264 457	1			ER0	BOLT KIT, A/C Compressor Manifold
-6	5003 681AA	1			ER0	COIL, Air Conditioning Clutch
-7	5016 376AA	1			ER0	PULLEY, A/C Compressor
-8	5264 454	1			EVO	SNAP RING KIT, A/C Clutch
-9	8230 0102	1			ER0	LUBRICANT, Oil, 75w90



JEEP GRAND CHEROKEE (WJ)

SERIES	LINE	BODY	ENGINE	TRANSMISSION
H = Laredo	J = 4WD	74 = 4 Door	ERH = 4.0L, Power Tech I-6	DGK = 4 Speed Autm, 42RE
M = Sport	T = 2WD		EVA = 4.7L, Power Tech V8	DGQ = 5 Speed Automatic, 45RFE
P = Limited			EVC = 4.7L HO V8 MPI	DG0 = All Automatic Transm
S = Overland			ERO = All 4.0L 6 Cyl Gas	
			EVO = All 4.7L Gas	

AR = Use as required - = Non illustrated part # = New this model year

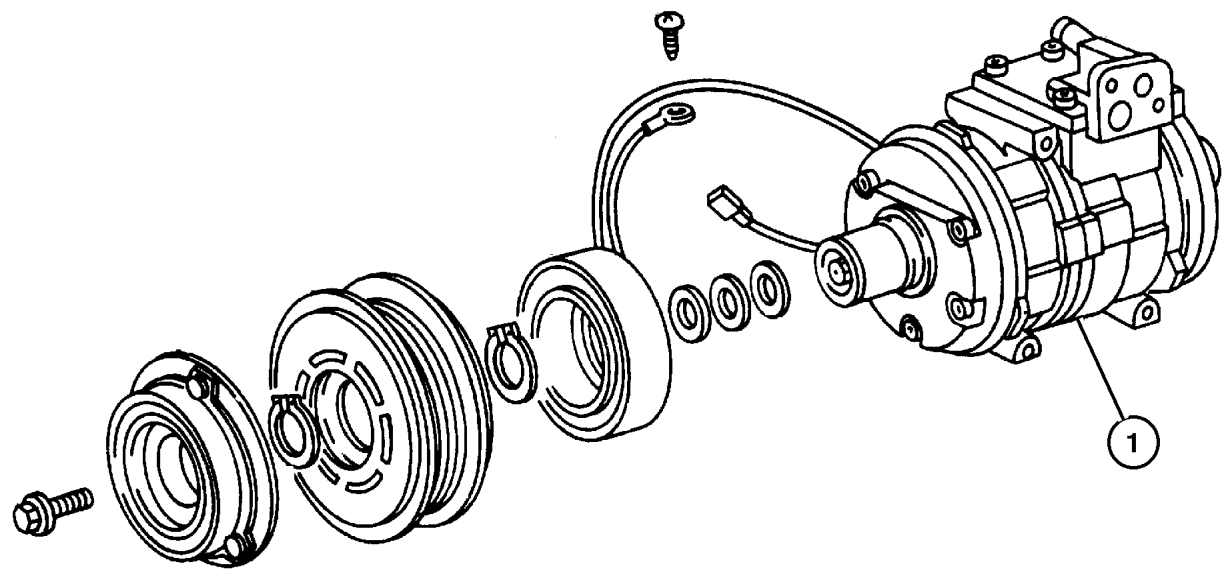
May 1, 2002

**Compressor, Air Conditioning 4.7L Engine
Figure 024-420**

ITEM	PART NUMBER	QTY	LINE	BODY	ENGINE	DESCRIPTION
------	-------------	-----	------	------	--------	-------------

Note: Sales Code EVO = 4.7 L Engine aka Shoe Return Spring Lower.

1	55116 906AA	1			EVO	COMPRESSOR, Air Conditioning
-2	5014 414AA	1			EVO	MANIFOLD KIT, A/C Compressor
-3	4728 854	1			EVO	SEAL, Manifold To Compressor
-4	5014 416AA	1			EVO	CLUTCH, A/C Compressor
-5	55116 423AA	1			EVO	BOLT, A/C Line Mounting
-6	5264 457	1			EVO	BOLT KIT, A/C Compressor Manifold
-7	5003 681AA	1			EVO	COIL, Air Conditioning Clutch
-8	5016 376AA	1			EVO	PULLEY, A/C Compressor
-9	5264 454	1			EVO	SNAP RING KIT, A/C Clutch
-10	8230 0102	1			EVO	LUBRICANT, Oil, 75w90



JEEP GRAND CHEROKEE (WJ)

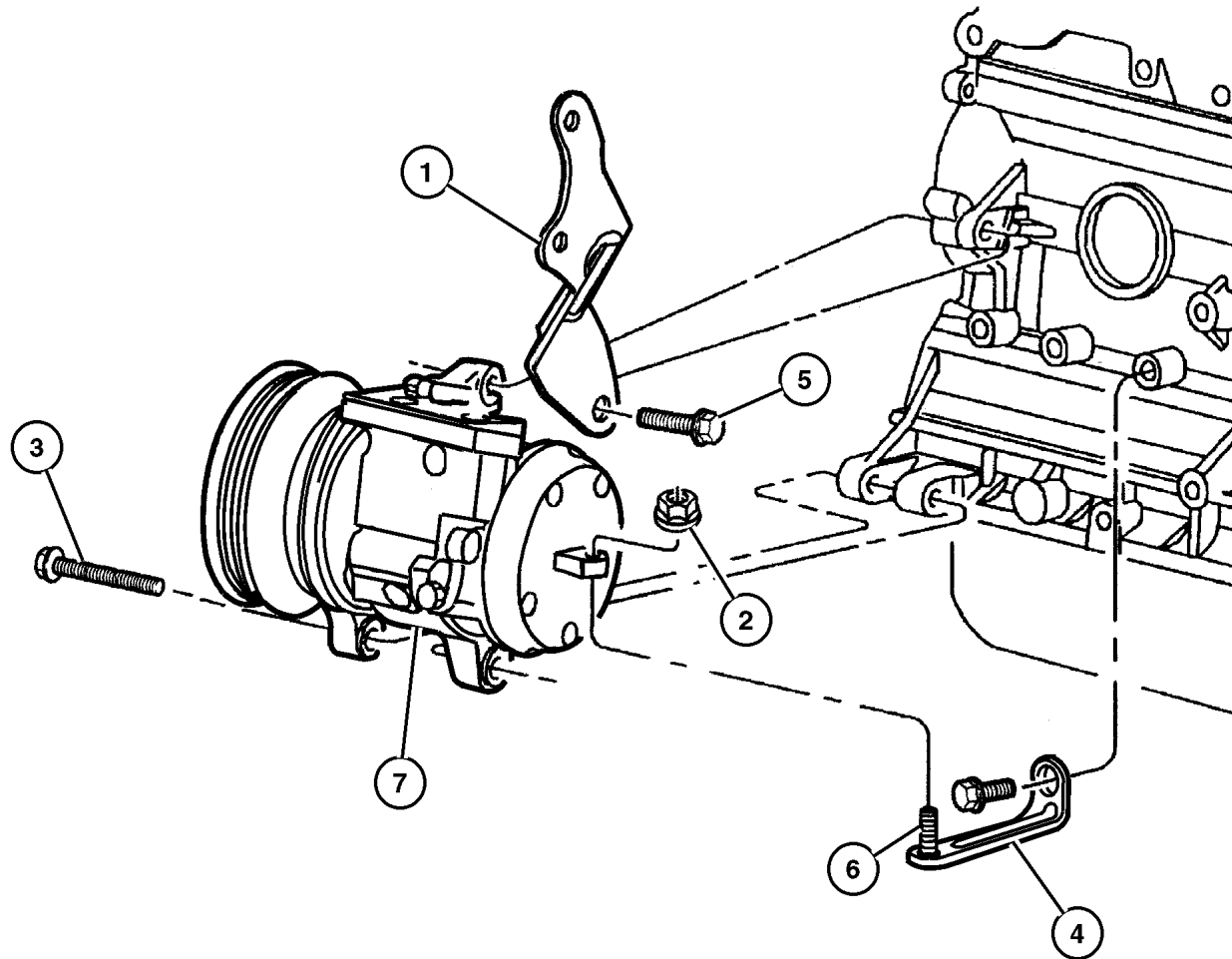
SERIES	LINE	BODY	ENGINE	TRANSMISSION
H = Laredo	J = 4WD	74 = 4 Door	ERH = 4.0L, Power Tech I-6	DGK = 4 Speed Autm, 42RE
M = Sport	T = 2WD		EVA = 4.7L, Power Tech V8	DGQ = 5 Speed Automatic, 45RFE
P = Limited			EVC = 4.7L HO V8 MPI	DG0 = All Automatic Transm
S = Overland			ERO = All 4.0L 6 Cyl Gas	
			EVO = All 4.7I Gas	

AR = Use as required - = Non illustrated part # = New this model year

May 1, 2002

**Compressor, Mounting 4.0L Engine
Figure 024-510**

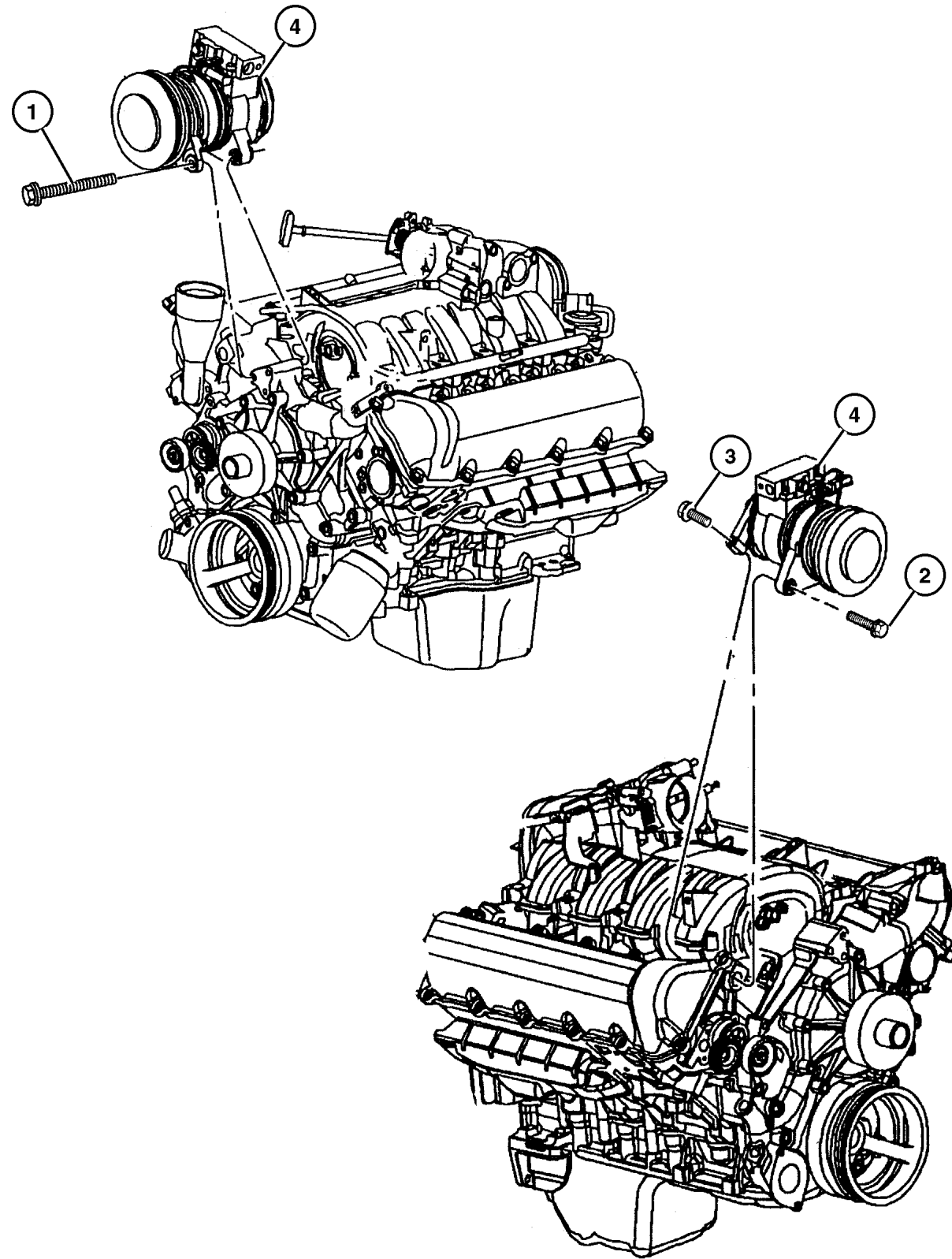
ITEM	PART NUMBER	QTY	LINE	BODY	ENGINE	DESCRIPTION
Note: Sales Code ERO = All 4.0L Engines ake Shoe Return Spring Lower.						
Note: Sales Code EVO = All 4.7L Gas Engines ake Shoe Return Spring Lower.						
1	4854 157	1			ERO	BRACE, Power Steering Pump
2	6101 695	4				NUT, Hex Flange Lock, M8x1.25
3	6504 344	1			ERO	SCREW AND WASHER, Hex Head
4	53013 053AB	1			ERO	BRACE, A/C Compressor
5	6101 985	5			EVO	SCREW AND WASHER, M10x1.50x45.00
6						SCREW AND WASHER, Hex Head, (NOT SERVICED)
7	#55116 807AA	1			ERO	COMPRESSOR, Air Conditioning



JEEP GRAND CHEROKEE (WJ)				
SERIES	LINE	BODY	ENGINE	TRANSMISSION
H = Laredo	J = 4WD	74 = 4 Door	ERH = 4.0L, Power Tech I-6	DGK = 4 Speed Autm, 42RE
M = Sport	T = 2WD		EVA = 4.7L, Power Tech V8	DGQ = 5 Speed Automatic, 45RFE
P = Limited			EVC = 4.7L HO V8 MPI	DG0 = All Automatic Transm
S = Overland			ERO = All 4.0L 6 Cyl Gas	
			EVO = All 4.7L Gas	

AR = Use as required - = Non illustrated part # = New this model year

Compressor, Mounting 4.7L Engine
Figure 024-520



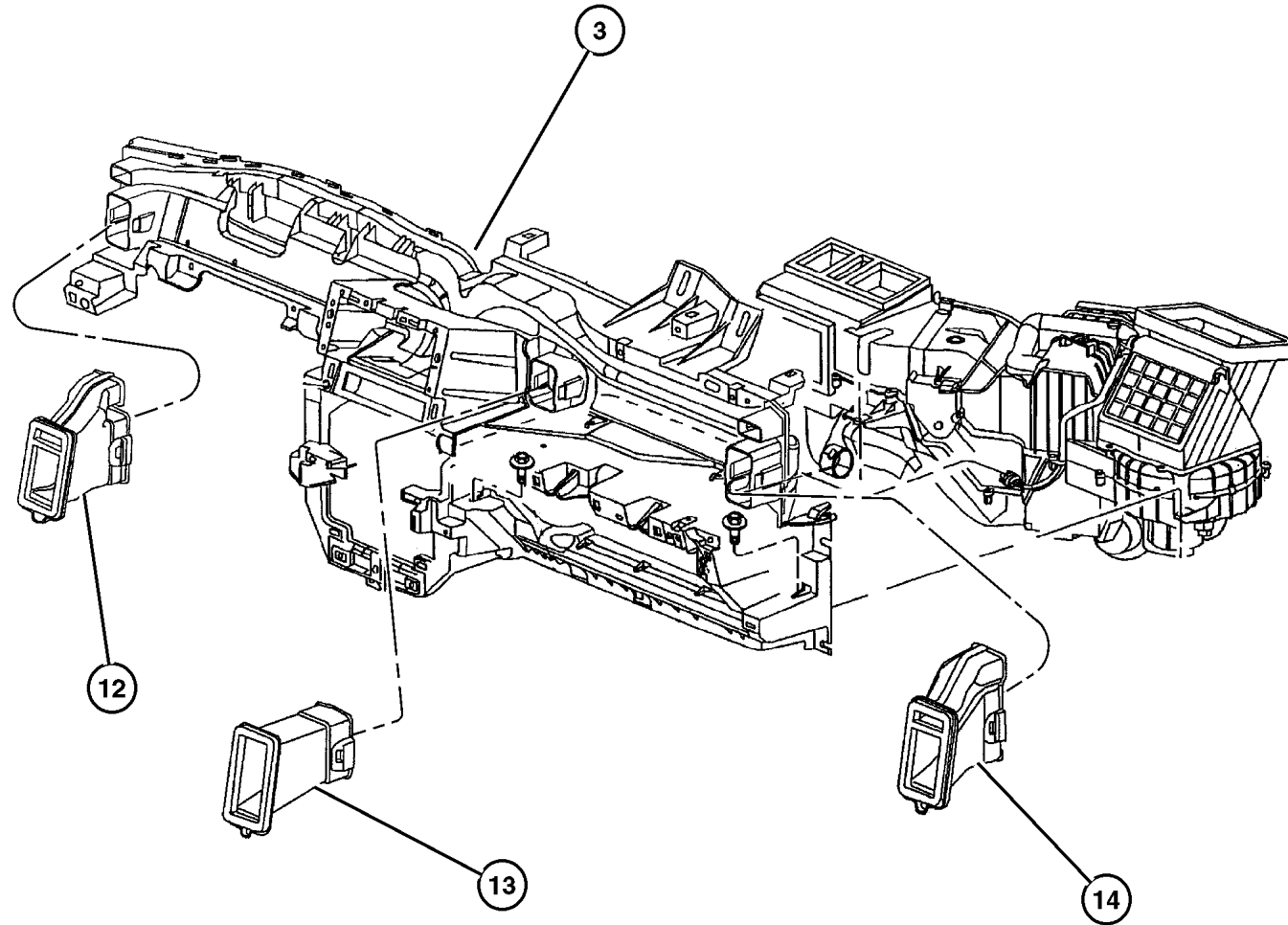
ITEM	PART NUMBER	QTY	LINE	BODY	ENGINE	DESCRIPTION
Note: Sales Code EVO = 4.7 L Engine ake Shoe Return Spring Lower.						
1	6504 344	1			EVO	SCREW AND WASHER, Hex Head
2	6101 985	5			EVO	SCREW AND WASHER, M10x1.50x45.00
3	6102 047AA	6			EVO	SCREW, Hex Head, M8x1.25x50
4	55116 906AA	1			EVO	COMPRESSOR, Air Conditioning

JEEP GRAND CHEROKEE (WJ)				
SERIES	LINE	BODY	ENGINE	TRANSMISSION
H = Laredo	J = 4WD	74 = 4 Door	ERH = 4.0L, Power Tech I-6	DGK = 4 Speed Autm, 42RE
M = Sport	T = 2WD		EVA = 4.7L, Power Tech V8	DGQ = 5 Speed Automatic, 45RFE
P = Limited			EVC = 4.7L HO V8 MPI	DG0 = All Automatic Transm
S = Overland			ERO = All 4.0L 6 Cyl Gas	
			EVO = All 4.7I Gas	

AR = Use as required - = Non illustrated part # = New this model year

May 1, 2002

Air Ducts and Outlets Figure 024-610



ITEM	PART NUMBER	QTY	LINE	BODY	ENGINE	DESCRIPTION
-1	#55116 569AA	1				BRACKET, Instrument Panel, Steering Column Support
-2	6102 141AA	5				SCREW, M6x1x25
3	55116 407AC	1				DUCT, Instrument Panel, Structural
-4	6034 319	2				CLIP, .453Wx.528LGx.017THK
-5	6034 833	12				CLIP, Push, .164-7.5
-6	55116 373AB	1				BRACKET, Instrument Panel, C/Channel Cover
-7	6101 946	3				SCREW, Tapping
-8	55116 373AB	1				BRACKET, Instrument Panel, Courtesy Lamp
-9	5511 6041	1				BRACKET, Instrument Panel, Center to Floor
-10						SCREW, Self Tapping, M6x1x15, (NOT SERVICED)
-11	5511 6014	1				DUCT, Defroster
12	55116 287AB	1				DUCT, Instrument Panel, Extension,Left
13	55116 285AA	1				DUCT, Instrument Panel
14	55116 286AB	1				DUCT, Instrument Panel, Extension,Right

JEEP GRAND CHEROKEE (WJ)				
SERIES	LINE	BODY	ENGINE	TRANSMISSION
H = Laredo	J = 4WD	74 = 4 Door	ERH = 4.0L, Power Tech I-6	DGK = 4 Speed Autm, 42RE
M = Sport	T = 2WD		EVA = 4.7L, Power Tech V8	DGQ = 5 Speed Automatic, 45RFE
P = Limited			EVC = 4.7L HO V8 MPI	DG0 = All Automatic Transm
S = Overland			ERO = All 4.0L 6 Cyl Gas	
			EVO = All 4.7I Gas	

AR = Use as required - = Non illustrated part # = New this model year

May 1, 2002

Group – 025

Emission Systems

GROUP 25 - Emission Systems

Illustration Title

Group-Fig. No.

Emission Labels

Emission Labels, 4.0 [ERH], 4.7 [EVA, EVC] Fig. 025-110

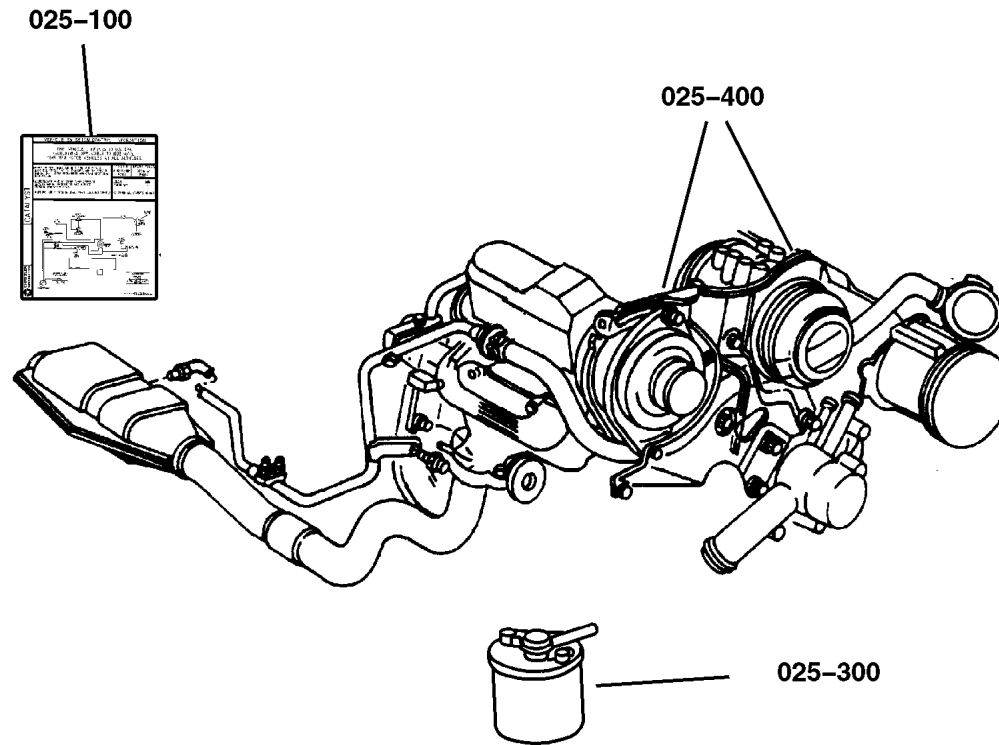
Vacuum Canister

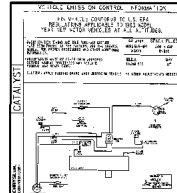
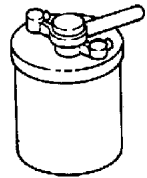
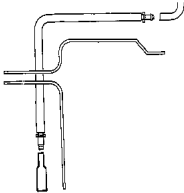
Vacuum Canister, 4.0 [ERH], 4.7 [EVA, EVC] Fig. 025-310

Emission Harness

Emission Control Vacuum Harness, 4.0 [ERH], 4.7 [EVA, EVC] Fig. 025-410

Leak Detection Pump, 4.0 [ERH], 4.7 [EVA, EVC] Fig. 025-420



<p>025-100 Emission Labels</p> 	<p>025-300 Vacuum Canister</p> 	<p>025-400 Emission Harness</p> 	
---	---	---	--

Emission Labels, 4.0 [ERH], 4.7 [EVA, EVC]
Figure 025-110

1

VEHICLE EMISSION CONTROL INFORMATION

THIS VEHICLE CONFORMS TO U.S. EPA REGULATIONS APPLICABLE TO 1994 MODEL YEAR NEW MOTOR VEHICLES AT ALL ALTITUDES.

*BASIC IGNITION TIMING AND IDLE FUEL/AIR MIXTURE HAVE BEEN PRESET AT THE FACTORY. SEE THE SERVICE MANUAL FOR PROPER PROCEDURES AND OTHER ADDITIONAL INFORMATION. *ADJUSTMENTS MADE BY OTHER THAN APPROVED SERVICE MANUAL PROCEDURES MAY VIOLATE FEDERAL AND STATE LAWS. CAUTION: APPLY PARKING BRAKE WHEN SERVICING VEHICLE	2.2 LITER MCR2.5V5HHP7 MCRVB	SPARK PLUGS .035 in. GAP RN12YC
	IDLE * TIMING BTC	MAN 12°
NO OTHER ADJUSTMENTS NEEDED		

CATALYST

CHRYSLER CORPORATION

ITEM	PART NUMBER	QTY	LINE	BODY	ENGINE	TRANS	DESCRIPTION
------	-------------	-----	------	------	--------	-------	-------------

Note; Sales Codes ake Shoe Return Spring Lower.
 [DHP]= Select Trac Full Time 4WD Transfer Case ake Shoe Return Spring Lower.
 [DHQ]= Quadra Trac On Demand 4WD Transfer Case ake Shoe Return Spring Lower.
 [ER0]= All 4.0L, 6 Cylinder Gas Engines ake Shoe Return Spring Lower.
 [EVO]= All 4.7L V-8 Gas Engines ake Shoe Return Spring Lower.

1							LABEL, Emission
	#52109 734AA	1			ER0		California
	#52109 730AA	1	J		ER0		Federal With [DHP]
	#52109 731AA	1	J		ER0		Canada With [DHP]
	#52109 732AA	1	J		ER0		Federal With [DHQ]
	#52109 740AA	1			ER0		Export
	#52109 741AA	1			EVO		Export
	#52109 736AA	1	J		EVA		US 50 States
	#52109 738AA	1	J		EVA		

JEEP GRAND CHEROKEE (WJ)

SERIES	LINE	BODY	ENGINE	TRANSMISSION
H = Laredo	J = 4WD	74 = 4 Door	ERH = 4.0L, Power Tech I-6	DGK = 4 Speed Autm, 42RE
M = Sport	T = 2WD		EVA = 4.7L, Power Tech V8	DGQ = 5 Speed Automatic, 45RFE
P = Limited			EVC = 4.7L HO V8 MPI	DG0 = All Automatic Transm
S = Overland			ER0 = All 4.0L 6 Cyl Gas	
			EVO = All 4.7L Gas	

AR = Use as required - = Non illustrated part # = New this model year

Vacuum Canister, 4.0 [ERH], 4.7 [EVA, EVC]
Figure 025-310

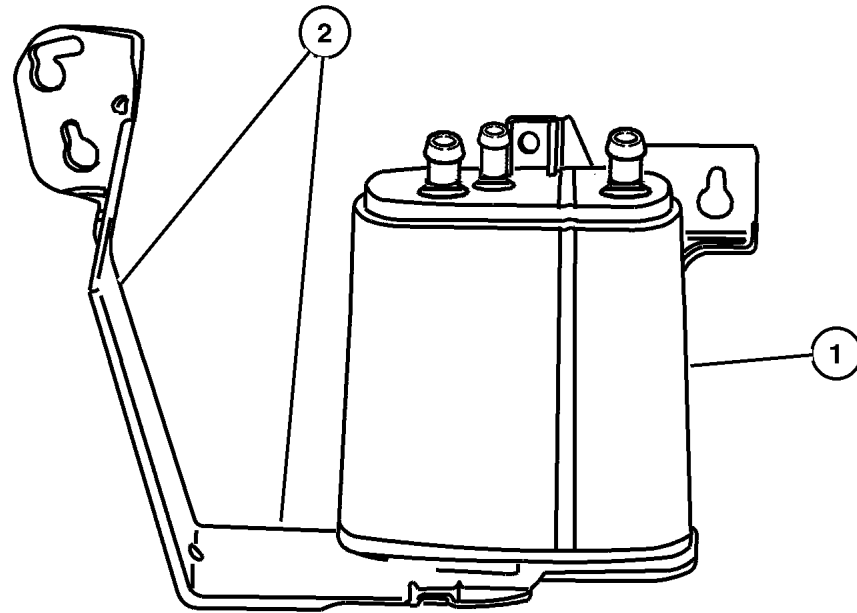
ITEM	PART NUMBER	QTY	LINE	BODY	ENGINE	TRANS	DESCRIPTION
------	-------------	-----	------	------	--------	-------	-------------

Sales Codes ake Shoe Return Spring Lower.

[ER0]= All, 6 Cylinder Gas Engines ake Shoe Return Spring Lower.

[EV0]= All 4.7L V-8 Gas Engines ake Shoe Return Spring Lower.

1	#53013 096AB	1			ER0, EVO		CANISTER, Vapor
2	#53013 463AC	1			ER0, EVO		BRACKET, Vapor Canister



JEEP GRAND CHEROKEE (WJ)

SERIES	LINE	BODY	ENGINE	TRANSMISSION
H = Laredo	J = 4WD	74 = 4 Door	ERH = 4.0L, Power Tech I-6	DGK = 4 Speed Autm, 42RE
M = Sport	T = 2WD		EVA = 4.7L, Power Tech V8	DGQ = 5 Speed Automatic, 45RFE
P = Limited			EVC = 4.7L HO V8 MPI	DG0 = All Automatic Transm
S = Overland			ER0 = All 4.0L 6 Cyl Gas	
			EVO = All 4.7L Gas	

AR = Use as required - = Non illustrated part # = New this model year

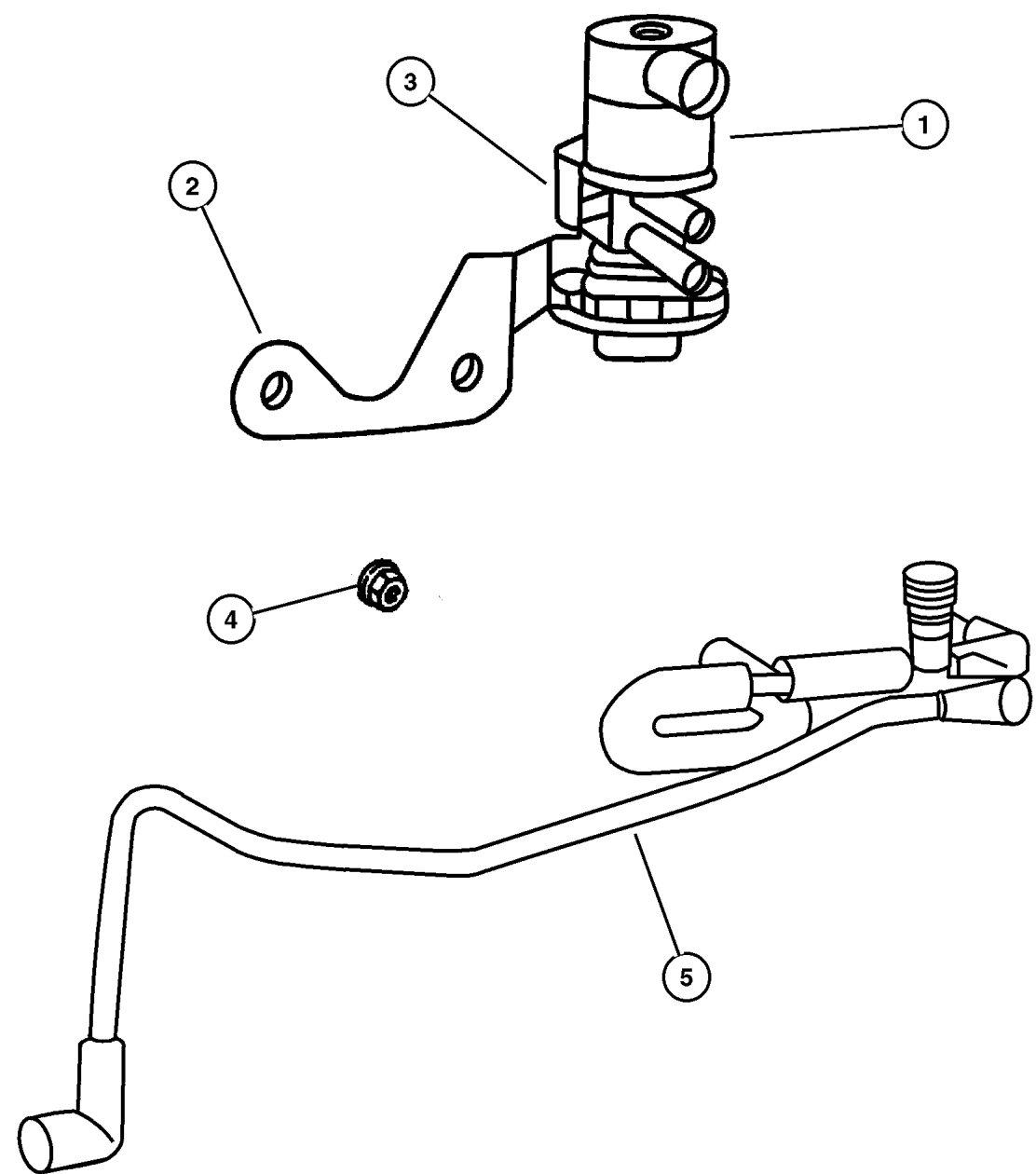
May 1, 2002

**Emission Control Vacuum Harness, 4.0 [ERH], 4.7 [EVA, EVC]
Figure 025-410**

ITEM	PART NUMBER	QTY	LINE	BODY	ENGINE	TRANS	DESCRIPTION
------	-------------	-----	------	------	--------	-------	-------------

Note; Sales Codes ake Shoe Return Spring Lower.
 [ER0]= All 4.0L, 6 Cylinder Gas Engines ake Shoe Return Spring Lower.
 [EV0]= All 4.7L V-8 Gas Engines ake Shoe Return Spring Lower.

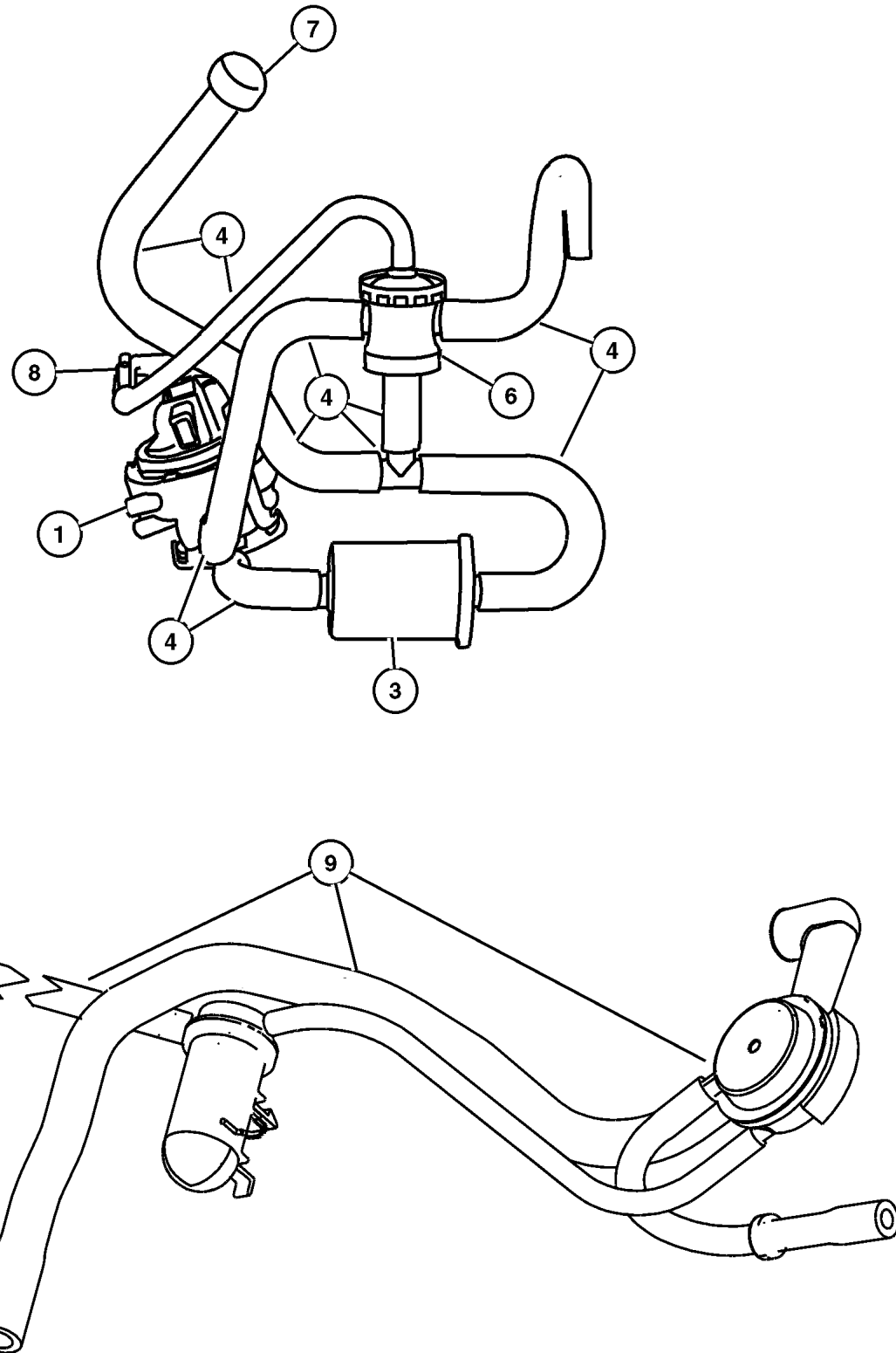
1	#52128 550AA	1			ER0		SOLENOID, Duty Cycle Purge
		1			EVO		
2	#53013 421AB	1			ER0, EVO		BRACKET, Duty Cycle Purge Solenoid
3							BUSHING, Isolator, Serviced With Item 1 , (NOT SERVICED)
4	#6102 160AA	2			ER0, EVO		SCREW, Hex Flange Head
5							HARNESS, Vapor Purge
	#53013 632AD	1			ER0		
	#53013 636AD	1			EVO		



JEEP GRAND CHEROKEE (WJ)				
SERIES	LINE	BODY	ENGINE	TRANSMISSION
H = Laredo	J = 4WD	74 = 4 Door	ERH = 4.0L, Power Tech I-6	DGK = 4 Speed Autm, 42RE
M = Sport	T = 2WD		EVA = 4.7L, Power Tech V8	DGQ = 5 Speed Automatic, 45RFE
P = Limited			EVC = 4.7L HO V8 MPI	DG0 = All Automatic Transm
S = Overland			ER0 = All 4.0L 6 Cyl Gas	
			EVO = All 4.7L Gas	

AR = Use as required - = Non illustrated part # = New this model year

**Leak Detection Pump, 4.0 [ERH], 4.7 [EVA, EVC]
Figure 025-420**



ITEM	PART NUMBER	QTY	LINE	BODY	ENGINE	TRANS	DESCRIPTION
------	-------------	-----	------	------	--------	-------	-------------

Note; Sales Codes ake Shoe Return Spring Lower.
 [ER0]= All 4.0L, 6 Cylinder Gas Engines ake Shoe Return Spring Lower.
 [EV0]= All 4.7L V-8 Gas Engines ake Shoe Return Spring Lower.

1	#4891 414AD	1			ER0, EVO		PUMP, Leak Detection
-2	#53013 463AC	1			ER0, EVO		BRACKET, Vapor Canister
3	#53013 376AB	1			ER0, EVO		FILTER, Leak Detection Pump
4	#53013 640AC	1			ER0, EVO		HOSE, Leak Detection Pump
-5	#52109 599AA	1			ER0, EVO		CLIP, Hose Use This Number Before 4-12-01
	4794 205AA	1			ER0, EVO		Use This Number After 4-12-01
6	4669 865	1			ER0, EVO		VALVE, Vent
7	53031 643AA	1			ER0, EVO		CAP, Vent Tube
8	4306 994	1			ER0, EVO		TEE, Hose, .25x.25x.25
9	#52100 468AF	1					HOSE, Fuel Vapor

JEEP GRAND CHEROKEE (WJ)				
SERIES	LINE	BODY	ENGINE	TRANSMISSION
H = Laredo	J = 4WD	74 = 4 Door	ERH = 4.0L, Power Tech I-6	DGK = 4 Speed Autm, 42RE
M = Sport	T = 2WD		EVA = 4.7L, Power Tech V8	DGQ = 5 Speed Automatic, 45RFE
P = Limited			EVC = 4.7L HO V8 MPI	DG0 = All Automatic Transm
S = Overland			ERO = All 4.0L 6 Cyl Gas	
			EVO = All 4.7I Gas	

AR = Use as required - = Non illustrated part # = New this model year

May 1, 2002

Group – DWJ

Doors and Related Parts

GROUP DWJ - Doors and Related Parts

Illustration Title

Group-Fig. No.

Front Door

Door, Front Shell and Hinges	Fig. DWJ-110
Door, Front Glass and Regulators	Fig. DWJ-120
Door, Front Lock and Controls	Fig. DWJ-130

Rear Door

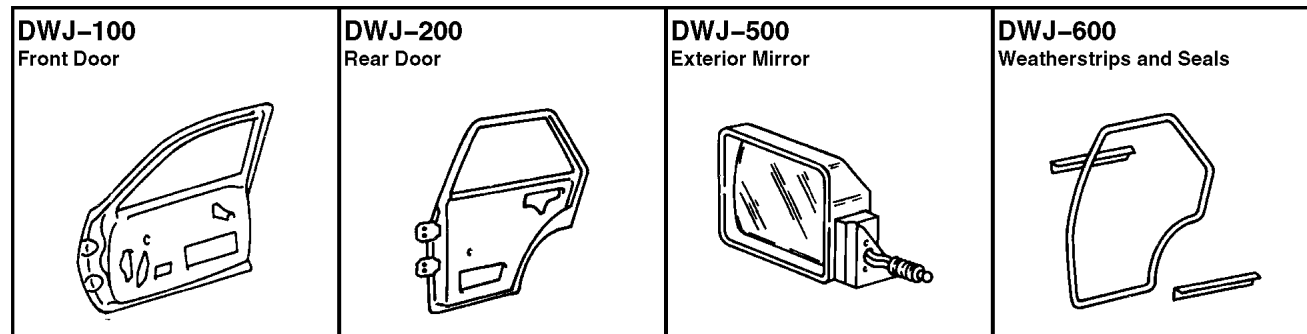
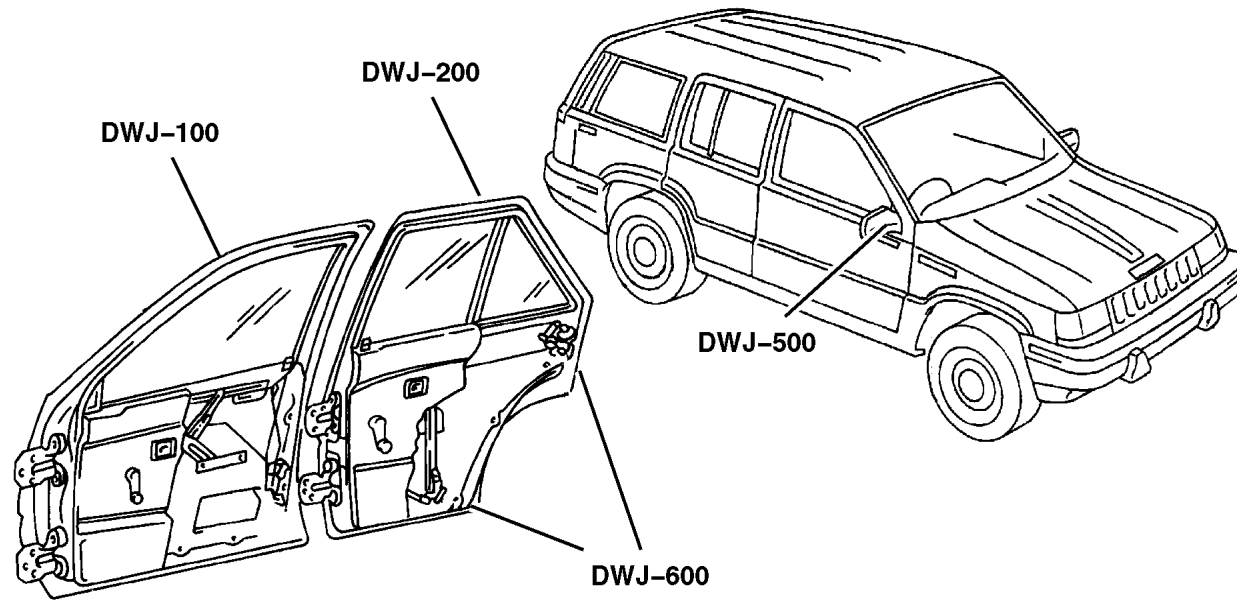
Door, Rear Shell and Hinges	Fig. DWJ-210
Door, Rear Glass and Regulators	Fig. DWJ-220
Door, Rear Lock and Controls	Fig. DWJ-230

Exterior Mirror

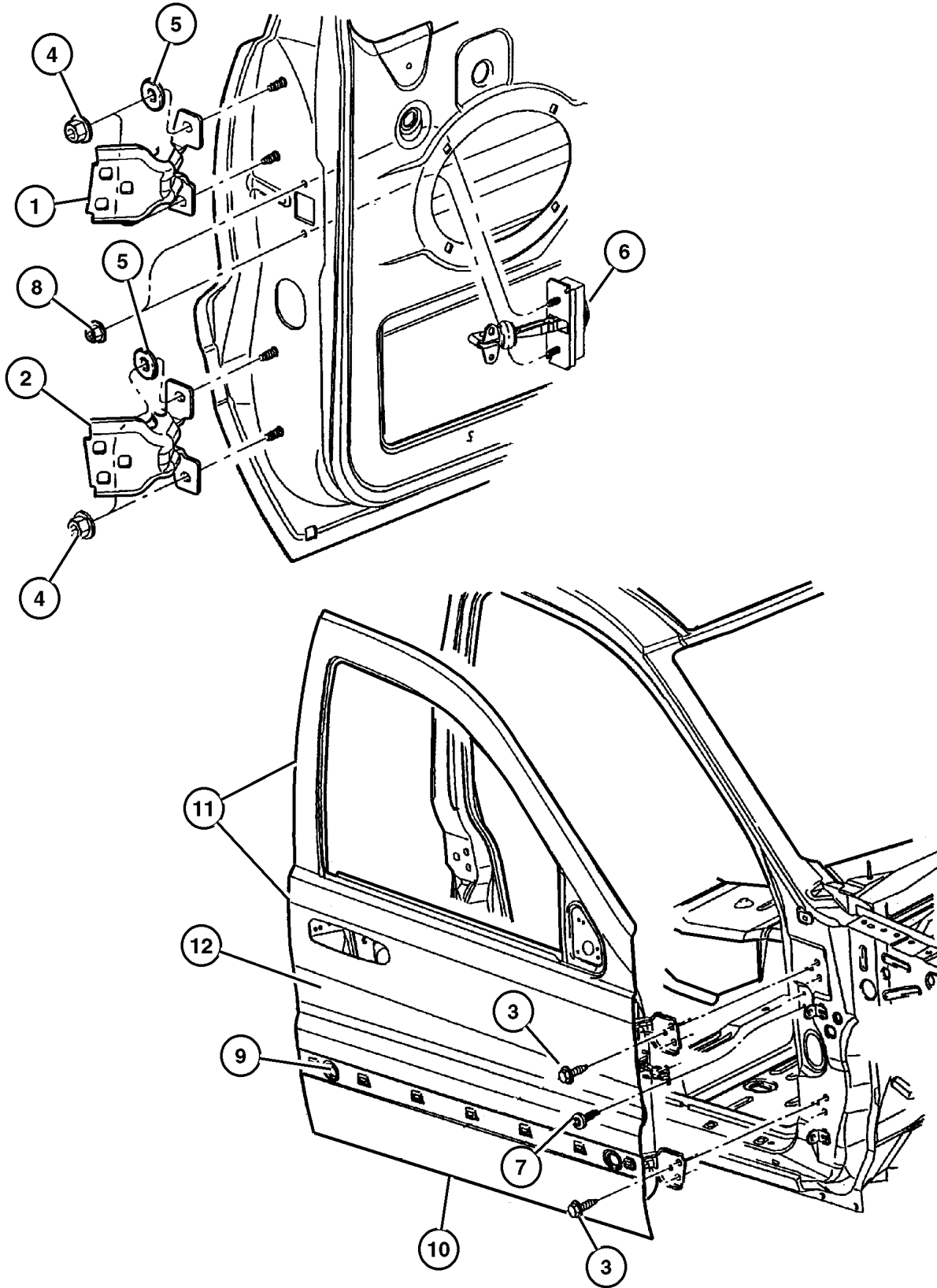
Mirrors, Exterior	Fig. DWJ-510
-------------------------	--------------

Weatherstrips and Seals

Door, Front Weatherstrips and Seals	Fig. DWJ-610
Door, Rear Weatherstrips and Seals	Fig. DWJ-620
Door, Rear Tail Gate Weatherstrips and Seals	Fig. DWJ-630



Door, Front Shell and Hinges
Figure DWJ-110



ITEM	PART NUMBER	QTY	LINE	SERIES	BODY	DESCRIPTION
1						HINGE, Door Half, Upper
	55363 417AA	2				Right
	55136 481AD	2				Left
2						HINGE, Door Half, Lower
	55363 417AA	2				Right
	55136 481AD	2				Left
3	6503 328	14				SCREW, Hex Head, M8x1.25x30
4						NUT AND WASHER, Hex, M8x1.25, (NOT SERVICED)
5	55136 971AC	4				WASHER, Flat
6						CHECK, Front Door
	55135 590AC	1				Right
	55135 591AC	1				Left
7						SCREW, Torx Round Head, M6-1.0x20.0, (NOT SERVICED)
8	6503 504	2				NUT AND WASHER, Hex, M6x1
9	55257 380AA	12				PLUG
10	2860 332	4				PLUG, Anti-Rattle
11						DOOR, Front
	55135 920AE	1				Right
	55135 921AE	1				Left
12						PANEL, Front Door Outer Repair
	#55135 922AC	1				Right
	#55135 923AC	1				Left
-13	6505 201AA	2				NUT, M5x.080x26.41

JEEP GRAND CHEROKEE (WJ)

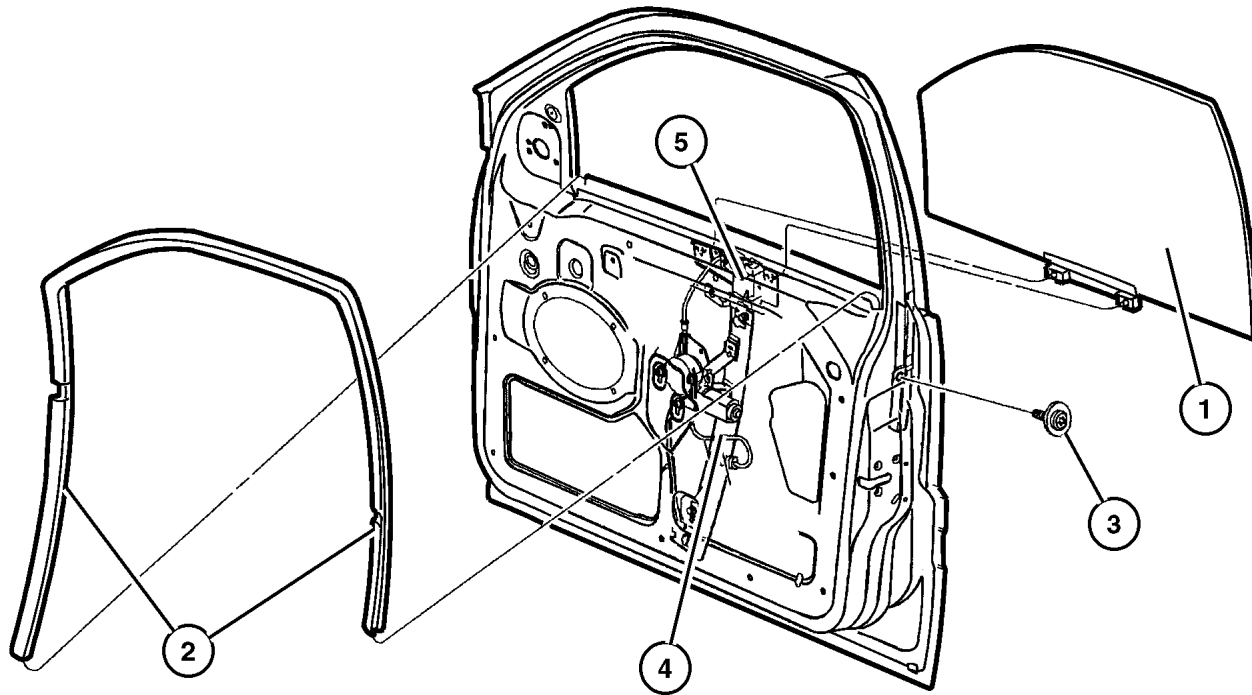
SERIES	LINE	BODY	ENGINE	TRANSMISSION
H = Laredo	J = 4WD	74 = 4 Door	ERH = 4.0L, Power Tech I-6	DGK = 4 Speed Autm, 42RE
M = Sport	T = 2WD		EVA = 4.7L, Power Tech V8	DGQ = 5 Speed Automatic, 45RFE
P = Limited			EVC = 4.7L HO V8 MPI	DG0 = All Automatic Transm
S = Overland			ERO = All 4.0L 6 Cyl Gas	
			EVO = All 4.7I Gas	

AR = Use as required - = Non illustrated part # = New this model year

May 1, 2002

Door, Front Glass and Regulators
Figure DWJ-120

ITEM	PART NUMBER	QTY	LINE	SERIES	BODY	DESCRIPTION
1						GLASS, Front Door
	55136 002AC	1				Right
	55136 003AC	1				Left
2						SEAL, Front Door Glass
	55136 024AE	1				Right
	55136 025AE	1				Left
3	6504 987AA	2				SCREW AND WASHER, Tapping, M6-1.0x20.0
4						REGULATOR, Front Door Window
	55363 286AB	1				Right
	55363 287AB	1				Left
5						SCREW, M6X1.00X16.00, (NOT SERVICED)
-6						CHANNEL, Front Door Glass Lower
	5513 6016	1				Front
	5513 6017	1				Rear
-7	5086 563AA	1				CLIP, Regulator

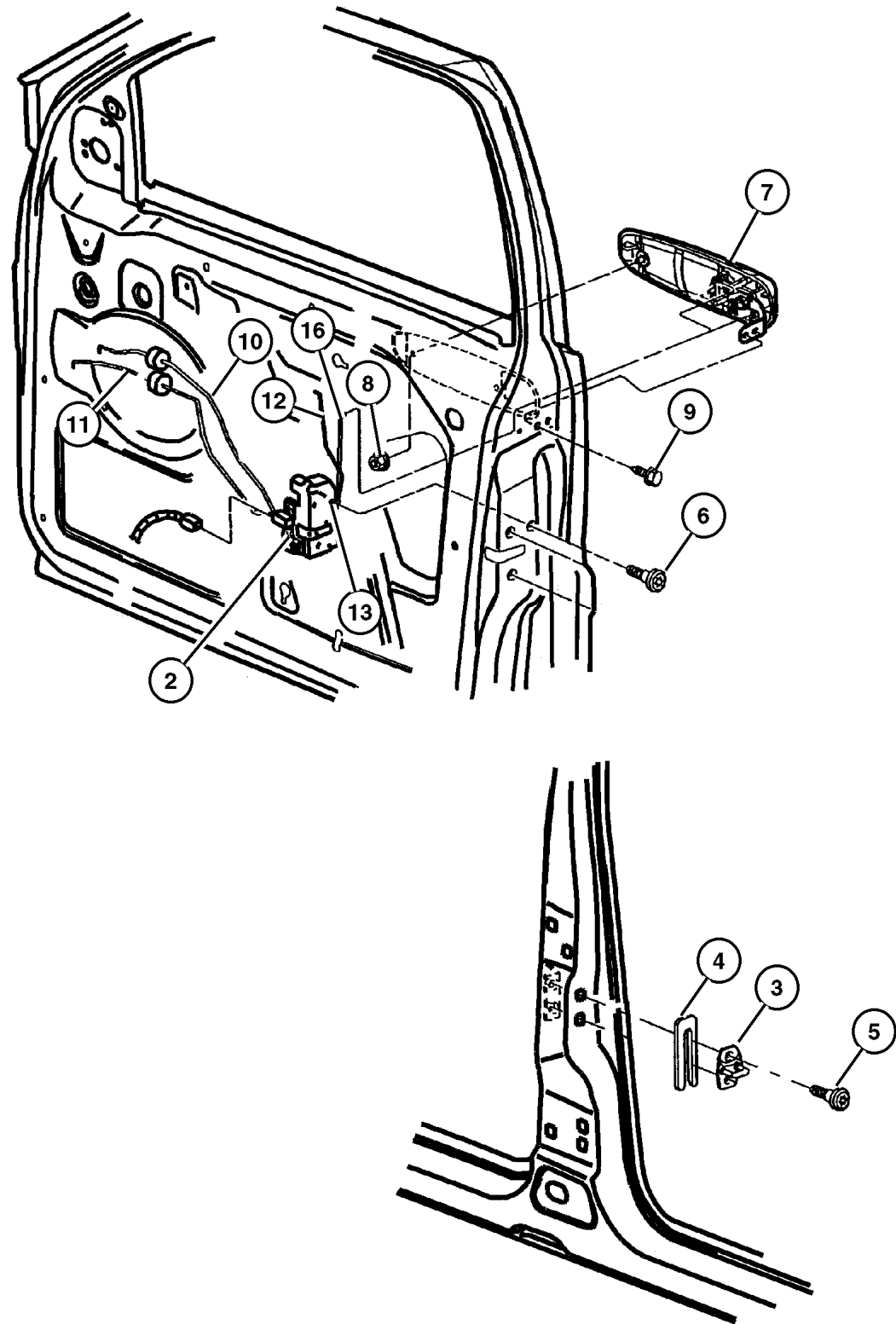


JEEP GRAND CHEROKEE (WJ)				
SERIES	LINE	BODY	ENGINE	TRANSMISSION
H = Laredo	J = 4WD	74 = 4 Door	ERH = 4.0L, Power Tech I-6	DGK = 4 Speed Autm, 42RE
M = Sport	T = 2WD		EVA = 4.7L, Power Tech V8	DGQ = 5 Speed Automatic, 45RFE
P = Limited			EVC = 4.7L HO V8 MPI	DG0 = All Automatic Transm
S = Overland			ERO = All 4.0L 6 Cyl Gas	
			EVO = All 4.7I Gas	

AR = Use as required - = Non illustrated part # = New this model year

May 1, 2002

Door, Front Lock and Controls
Figure DWJ-130



ITEM	PART NUMBER	QTY	LINE	SERIES	BODY	DESCRIPTION
-1						HANDLE, Door Interior
	5FX74 1L5AC	1		P		[L5], Right
	5FX74 1T5AC	1		P		[T5], Right
	5FX74 1DVAC	1		P		[DV], Right
	5FX75 1L5AC	1		P		[L5], Left
	5FX75 1T5AC	1		P		[T5], Left
	5FX74 1DBAD	1		S		[DB], Right
	5FX75 1DBAD	1		S		[DB], Left
	5FX72 1DVAC	1		H		[DV], Right
	5FX72 1L5AC	1		H		[L5], Right
	5FX72 1T5AC	1		H		[T5], Right
	5FX73 1DVAC	1		H		[DV], Left
	5FX73 1L5AC	1		H		[L5], Left
	5FX73 1T5AC	1		H		[T5], Left
2						LATCH, Front Door
	#55363 472AB	1				w/o Cylinder Lock, Right
	#55363 473AA	1				w/Cylinder Lock, Left
3	4780 607AA	2				STRIKER, Door
4	4520 289	AR				SPACER, Door Latch Striker
5	6504 573	4				SCREW, Oval Head, SCREW
6	6033 876	6				SCREW, Tapping, M6.3x1.8x38.1
7						HANDLE, Exterior Door
	#55135 636AD	1		H		Right
	#55136 351AD	1		H		Left
	#QR38 DX8AC	1		P, S		[X8], Right
	#QR38 SW1AC	1		P, S		[W1], Right
	#QR38 WBTAC	1		P, S		[BT], Right
	#QR38 WELAC	1		P, S		[EL], Right
	#QR38 XBQAC	1		P, S		[BQ], Right
	#QR38 XRVAC	1		P, S		[RV], Right
	#QR38 XS5AC	1		P, S		[S5], Right
	#QR38 YJRAC	1		P, S		[JR], Right
	#QR38 YUBAC	1		P, S		[UB], Right
	#QR38 ZDRAC	1		P, S		[DR], Right
	#5GG27 DX8AB	1		P, S		[X8], Left
	#5GG27 SW1AB	1		P, S		[W1], Left
	#5GG27 WBTAB	1		P, S		[BT], Left
	#5GG27 WELAB	1		P, S		[EL], Left
	#5GG27 XBQAB	1		P, S		[BQ], Left
	#5GG27 XRVAB	1		P, S		[RV], Left
	#5GG27 XS5AB	1		P, S		[S5], Left

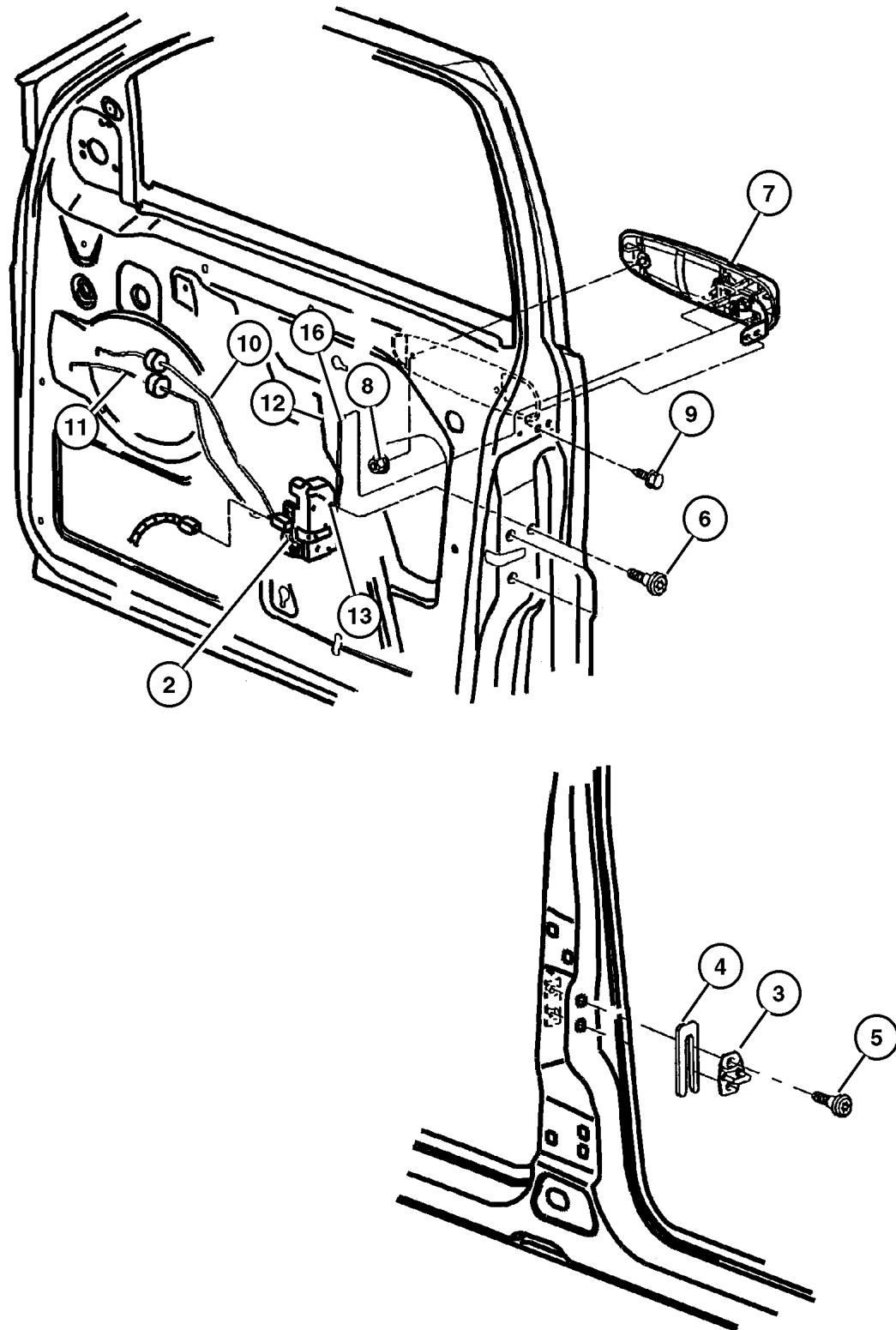
JEEP GRAND CHEROKEE (WJ)

SERIES	LINE	BODY	ENGINE	TRANSMISSION
H = Laredo	J = 4WD	74 = 4 Door	ERH = 4.0L, Power Tech I-6	DGK = 4 Speed Autm, 42RE
M = Sport	T = 2WD		EVA = 4.7L, Power Tech V8	DGQ = 5 Speed Automatic, 45RFE
P = Limited			EVC = 4.7L HO V8 MPI	DG0 = All Automatic Transm
S = Overland			ERO = All 4.0L 6 Cyl Gas	
			EVO = All 4.7L Gas	

AR = Use as required - = Non illustrated part # = New this model year

May 1, 2002

Door, Front Lock and Controls
Figure DWJ-130



ITEM	PART NUMBER	QTY	LINE	SERIES	BODY	DESCRIPTION
	#5GG27 YJRAB	1		P, S		[JR], Left
	#5GG27 YUBAB	1		P, S		[UB], Left
	#5GG27 ZDRAB	1		P, S		[DR], Left
8	6503 226	4				NUT, Hex Flange, M5x.8
9	6505 365AA	2				SCREW
10						ROD, Inside Handle to Latch
	5014 378AA	1				Right
	5014 379AA	1				Left
11						ROD, Inside Lock to Latch
	5014 380AA	1				Right
	5014 381AA	1				Left
12						LINK, Exterior Door Handle
	5014 372AA	1				Right
	5014 373AA	1				Left
13						COVER, Latch-Anti Theft
	5014 395AA	1				Right
	5014 396AA	1				Left
-14						CLIP, Latch
	5014 397AA	1				Purple, Right
	5014 398AA	1				Orange, Left
-15	4658 444	1				CLIP, Latch, Orange, Key Cylinder To Latch
16	5014 387AA	1				LINK, Key Cylinder To Latch, Left

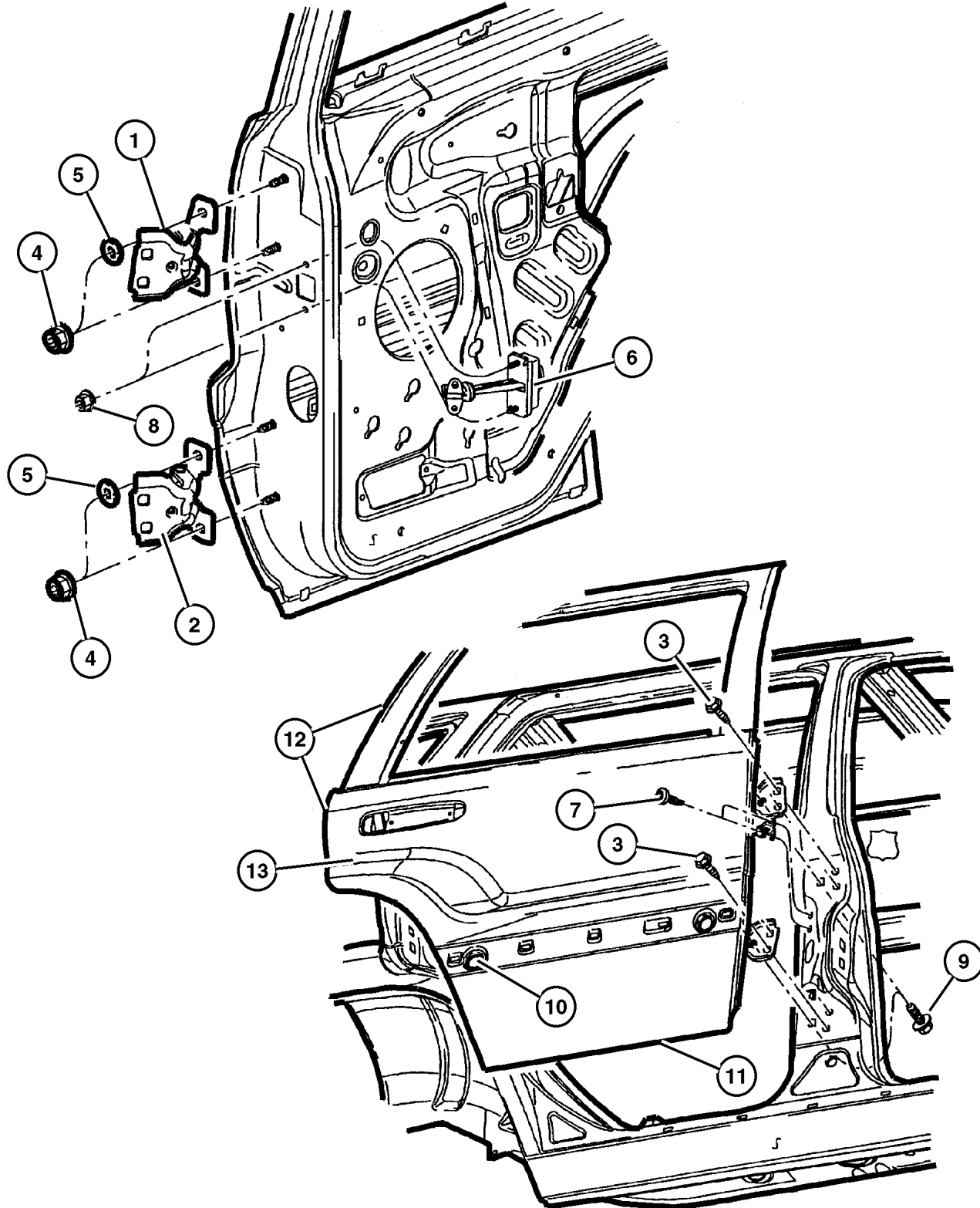
JEEP GRAND CHEROKEE (WJ)

SERIES	LINE	BODY	ENGINE	TRANSMISSION
H = Laredo	J = 4WD	74 = 4 Door	ERH = 4.0L, Power Tech I-6	DGK = 4 Speed Autm, 42RE
M = Sport	T = 2WD		EVA = 4.7L, Power Tech V8	DGQ = 5 Speed Automatic, 45RFE
P = Limited			EVC = 4.7L HO V8 MPI	DG0 = All Automatic Transm
S = Overland			ERO = All 4.0L 6 Cyl Gas	
			EVO = All 4.7l Gas	

AR = Use as required - = Non illustrated part # = New this model year

May 1, 2002

Door, Rear Shell and Hinges
Figure DWJ-210



ITEM	PART NUMBER	QTY	LINE	SERIES	BODY	DESCRIPTION
1						HINGE, Door Half, Upper
	55363 416AA	2				Right
	55135 575AD	2				Left
2						HINGE, Door Half, Lower
	55135 575AD	2				Right
	55363 416AA	2				Left
3	6503 328	14				SCREW, Hex Head, M8x1.25x30
4						NUT AND WASHER, Hex, M8x1.25, (NOT SERVICED)
5	55136 971AC	4				WASHER, Flat
6						CHECK, Rear Door
	55135 658AB	1				Right
	55135 659AB	1				Left
7						SCREW, Torx Head, M6x1.0x16, (NOT SERVICED)
8	6503 504	2				NUT AND WASHER, Hex, M6x1
9	6503 538	4				SCREW AND WASHER, Hex Head, M8x1.25x30
10	55257 380AA	12				PLUG
11	2860 332	4				PLUG, Anti-Rattle
12						DOOR, Rear
	55136 700AE	1				Right
	55136 701AE	1				Left
13						PANEL, Rear Door
	#55136 702AC	1				Right
	#55136 703AC	1				Left
-14						NUT, Rivet, M5x.080x26.41, (NOT SERVICED)

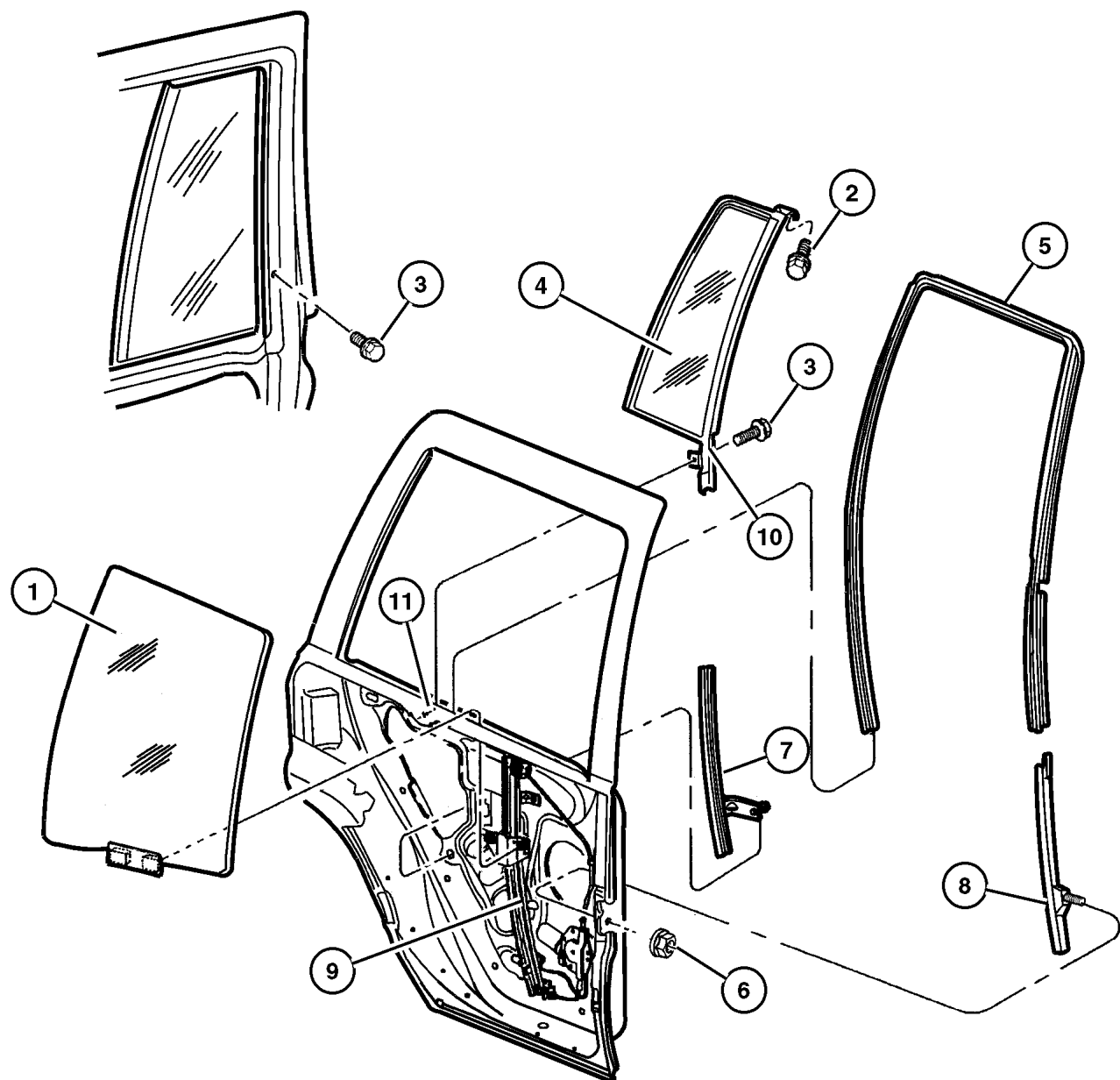
JEEP GRAND CHEROKEE (WJ)

SERIES	LINE	BODY	ENGINE	TRANSMISSION
H = Laredo	J = 4WD	74 = 4 Door	ERH = 4.0L, Power Tech I-6	DGK = 4 Speed Autm, 42RE
M = Sport	T = 2WD		EVA = 4.7L, Power Tech V8	DGQ = 5 Speed Automatic, 45RFE
P = Limited			EVC = 4.7L HO V8 MPI	DG0 = All Automatic Transm
S = Overland			ERO = All 4.0L 6 Cyl Gas	
			EVO = All 4.7I Gas	

AR = Use as required - = Non illustrated part # = New this model year

May 1, 2002

Door, Rear Glass and Regulators
Figure DWJ-220



ITEM	PART NUMBER	QTY	LINE	SERIES	BODY	DESCRIPTION
1						GLASS, Rear Door
	5513 6064	1				Sunscreen, Right
	5513 6065	1				Sunscreen, Left
2						SCREW, Tapping, .164-15x.75, (NOT SERVICED)
3						SCREW, Hex Flange Head, [.164-18x.75], (NOT SERVICED)
4						GLASS PACKAGE, Rear Door Qtr
	5016 914AD	1				Sunscreen, Right
	5016 915AD	1				Sunscreen, Left
5						SEAL, Rear Door Glass
	55136 080AF	1				Right
	55136 081AF	1				Left
6	6503 504	2				NUT AND WASHER, Hex, M6x1
7						CHANNEL, Rear Door Glass Lower
	55137 102AA	1				Right
	55137 103AA	1				Left
8						CHANNEL, Rear Door Glass Lower
	5513 6716	1				Right
	5513 6717	1				Left
9						REGULATOR, Rear Door Window
	55363 284AB	1				Right
	55363 285AB	1				Left
10	55137 006AB	1				CLIP
11	6505 223AA	2				NUT, Spring, M6
-12	5086 563AA	1				CLIP, Regulator
-13						TAPE, Anti Chip
	#55156 736AA	2			H	
	#55156 736AB	2			P, S	

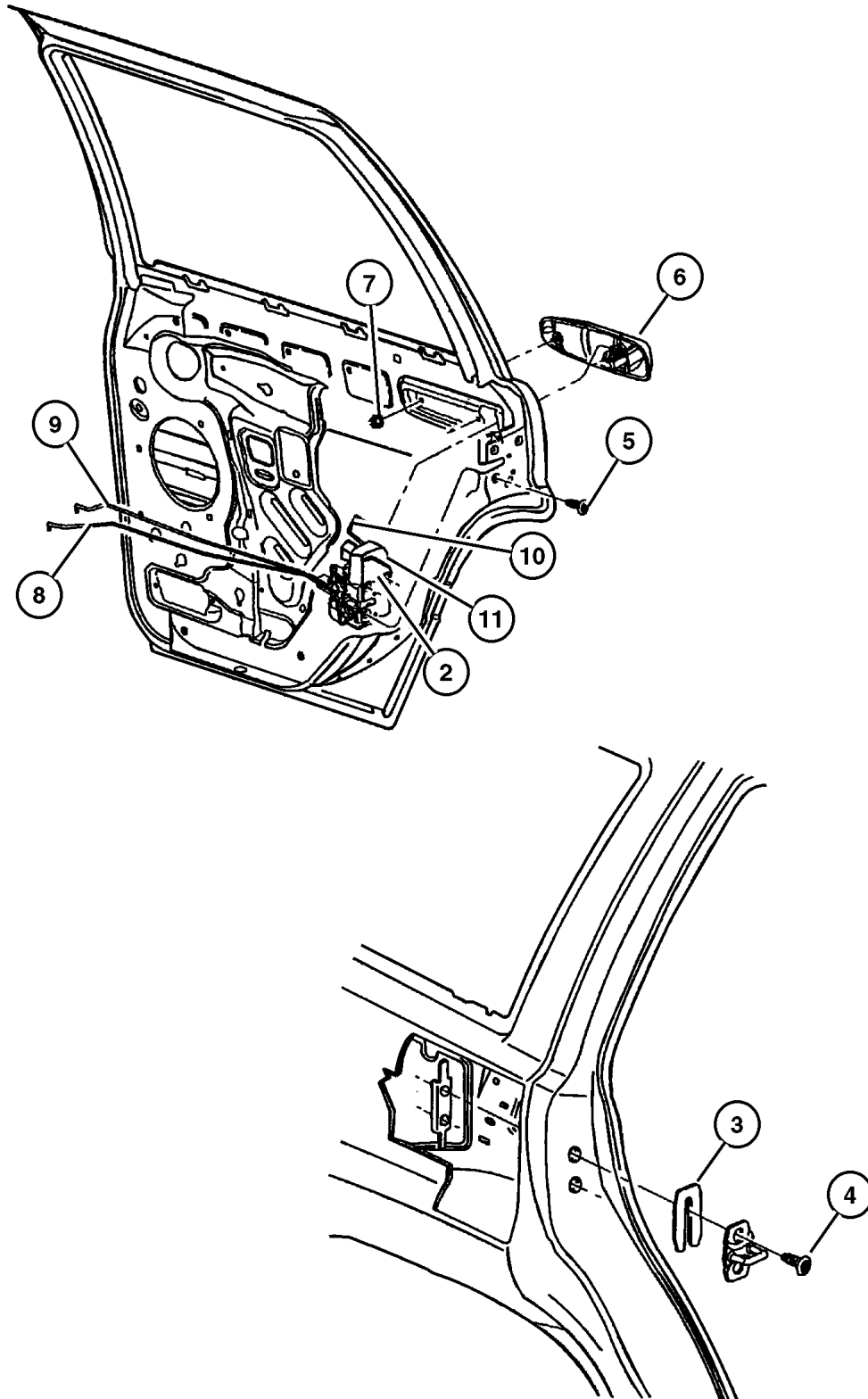
JEEP GRAND CHEROKEE (WJ)

SERIES	LINE	BODY	ENGINE	TRANSMISSION
H = Laredo	J = 4WD	74 = 4 Door	ERH = 4.0L, Power Tech I-6	DGK = 4 Speed Autm, 42RE
M = Sport	T = 2WD		EVA = 4.7L, Power Tech V8	DGQ = 5 Speed Automatic, 45RFE
P = Limited			EVC = 4.7L HO V8 MPI	DG0 = All Automatic Transm
S = Overland			ERO = All 4.0L 6 Cyl Gas	
			EVO = All 4.7l Gas	

AR = Use as required - = Non illustrated part # = New this model year

May 1, 2002

Door, Rear Lock and Controls Figure DWJ-230



ITEM	PART NUMBER	QTY	LINE	SERIES	BODY	DESCRIPTION
-1						HANDLE, Door Interior
	5FX74 1L5AC	1		P		Taupe, Right
	5FX74 1T5AC	1		P		Sandstone, Right
2						LATCH, Rear Door
	55135 620AB	1				Right
	55135 621AB	1				Left
3	4520 289	AR				SPACER, Door Latch Striker
4	6504 573	4				SCREW, Oval Head, SCREW
5						SCREW, Tapping, M6.3x1.8x38.1, (NOT SERVICED)
6						HANDLE, Exterior Door
	#55135 838AD	1		H		Right
	#55135 839AD	1		H		Left
	5FW46 DX8AB	1		P, S		[X8], Right
	5FW46 SW1AB	1		P, S		[W1], Right
	5FW46 WBTAB	1		P, S		[BT], Right
	5FW46 WELAB	1		P, S		[EL], Right
	5FW46 XBQAB	1		P, S		[BQ], Right
	5FW46 XRVAB	1		P, S		[RV], Right
	5FW46 XS5AB	1		P, S		[S5], Right
	5FW46 YJRAB	1		P, S		[JR], Right
	#5FW46 YUBAC	1		P, S		[UB], Right
	5FW46 ZDRAB	1		P, S		[DR], Right
	#5FW47 DX8AC	1		P, S		[X8], Left
	#5FW47 SW1AC	1		P, S		[W1], Left
	#5FW47 WBTAC	1		P, S		[BT], Left
	#5FW47 WELAC	1		P, S		[EL], Left
	#5FW47 XBQAC	1		P, S		[BQ], Left
	#5FW47 XRVAC	1		P, S		[RV], Left
	#5FW47 XS5AC	1		P, S		[S5], Left
	#5FW47 YJRAC	1		P, S		[JR], Left
	#5FW47 YUBAC	1		P, S		[UB], Left
	#5FW47 ZDRAC	1		P, S		[DR], Left
7	6503 226	4				NUT, Hex Flange, M5x.8
8						ROD, Inside Handle to Latch
	5014 384AA	1				Right
	5014 385AA	1				Left
9						ROD, Inside Lock to Latch
	5014 382AA	1				Right
	5014 383AA	1				Left
10						LINK, Exterior Door Handle
	5014 376AA	1				Right
	5014 377AA	1				Left

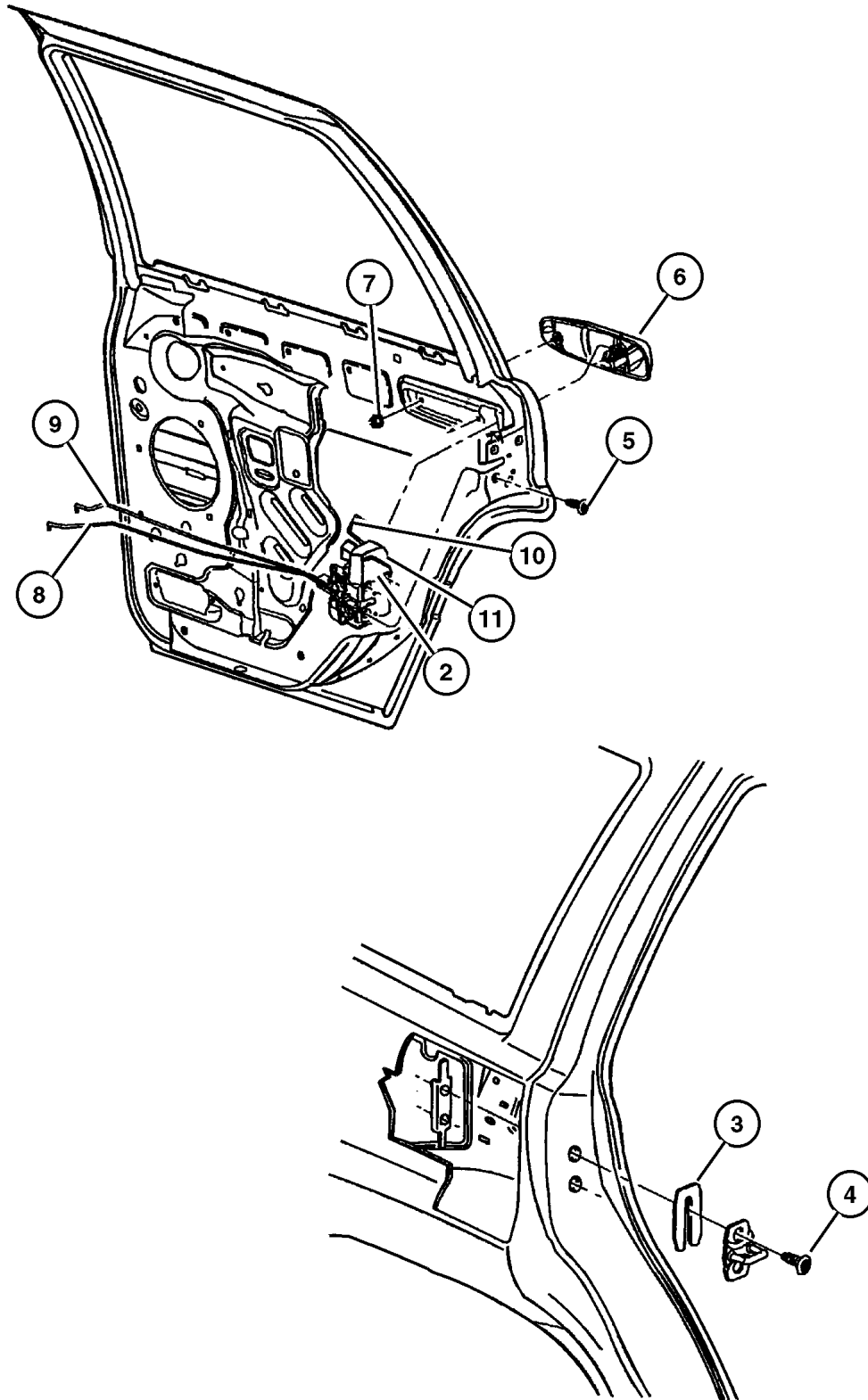
JEEP GRAND CHEROKEE (WJ)

SERIES	LINE	BODY	ENGINE	TRANSMISSION
H = Laredo	J = 4WD	74 = 4 Door	ERH = 4.0L, Power Tech I-6	DGK = 4 Speed Autm, 42RE
M = Sport	T = 2WD		EVA = 4.7L, Power Tech V8	DGQ = 5 Speed Automatic, 45RFE
P = Limited			EVC = 4.7L HO V8 MPI	DG0 = All Automatic Transm
S = Overland			ERO = All 4.0L 6 Cyl Gas	
			EVO = All 4.7L Gas	

AR = Use as required - = Non illustrated part # = New this model year

May 1, 2002

Door, Rear Lock and Controls
Figure DWJ-230



ITEM	PART NUMBER	QTY	LINE	SERIES	BODY	DESCRIPTION
11						COVER, Latch-Anti Theft
	5014 395AA	1				Right
	5014 396AA	1				Left
-12	5014 397AA	1				CLIP, Latch, Purple
-13	5014 398AA	1				CLIP, Latch, Orange
-14						CLIP, Latch Link, (NOT SERVICED)
-15						CLIP, Latch Link, (NOT SERVICED)

JEEP GRAND CHEROKEE (WJ)

SERIES	LINE	BODY	ENGINE	TRANSMISSION
H = Laredo	J = 4WD	74 = 4 Door	ERH = 4.0L, Power Tech I-6	DGK = 4 Speed Autm, 42RE
M = Sport	T = 2WD		EVA = 4.7L, Power Tech V8	DGQ = 5 Speed Automatic, 45RFE
P = Limited			EVC = 4.7L HO V8 MPI	DG0 = All Automatic Transm
S = Overland			ERO = All 4.0L 6 Cyl Gas	
			EVO = All 4.7l Gas	

AR = Use as required - = Non illustrated part # = New this model year

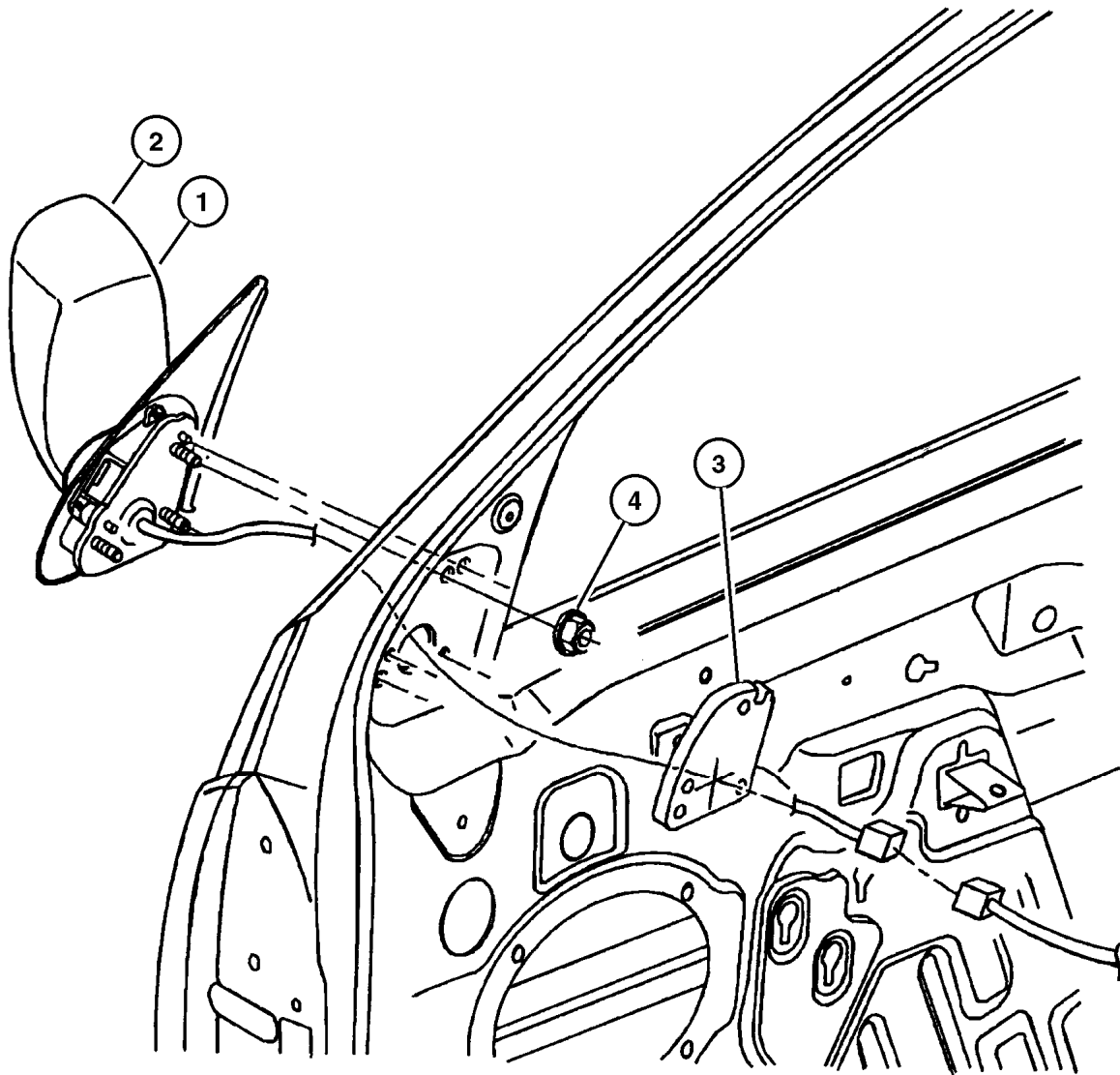
May 1, 2002

Mirrors, Exterior
Figure DWJ-510

ITEM	PART NUMBER	QTY	LINE	SERIES	BODY	DESCRIPTION
------	-------------	-----	------	--------	------	-------------

Note: Sales Code GTF = Power Fold-Away ake Shoe Return Spring Lower.
 Note: Sales Code GTN = Power Fold-Away ake Shoe Return Spring Lower.
 Note: Sales Code GTM = Power Fold-Away Heated ake Shoe Return Spring Lower.
 Note: Sales Code GTR = Power Fold-Away ake Shoe Return Spring Lower.
 Note: Sales Code GTW = Power Fold-Away Black ake Shoe Return Spring Lower.
 Note: Sales Code GT3 = Power Fold-Away Hea ake Shoe Return Spring Lower.

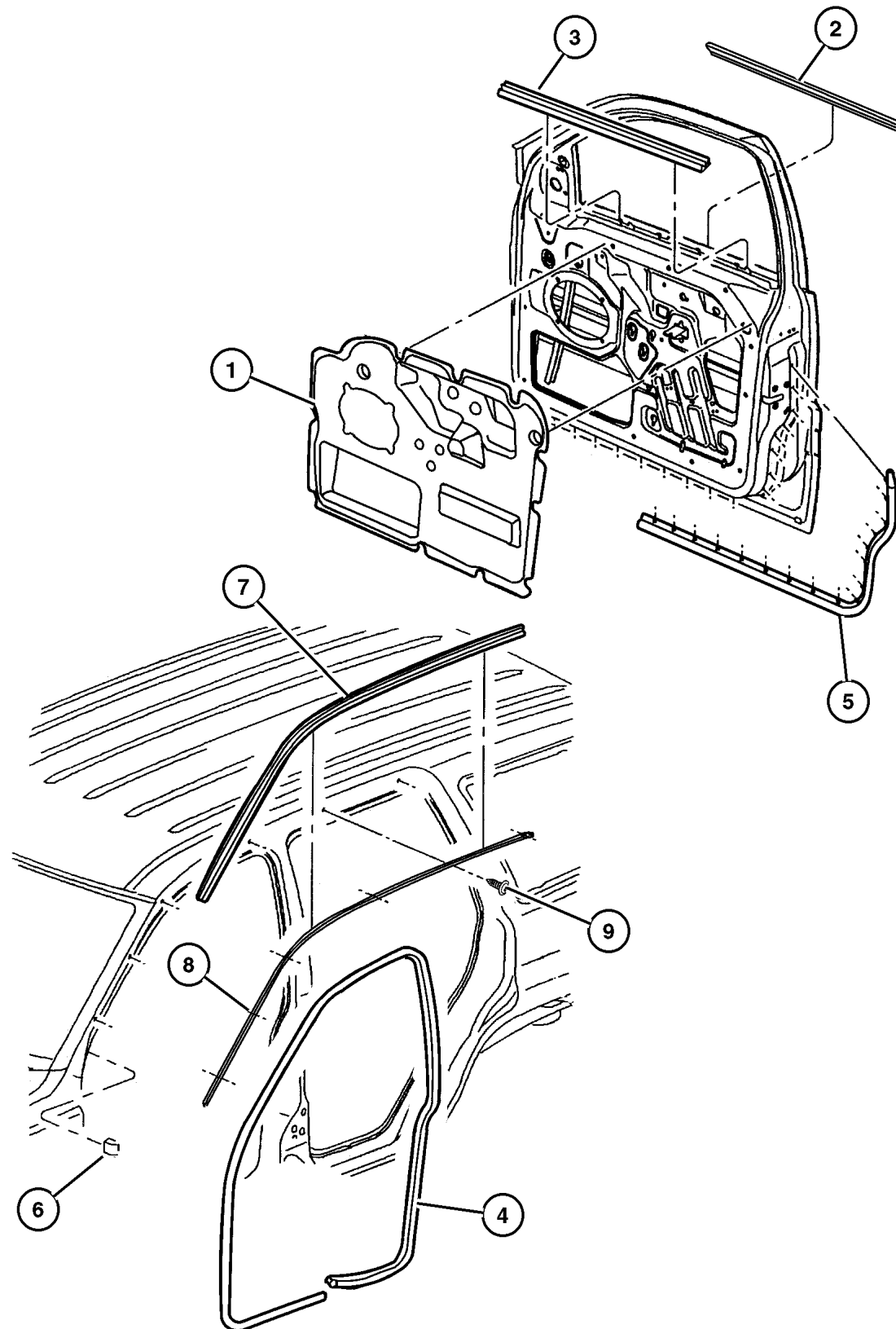
1						MIRROR, Outside, Rearview, Electric, Heated
	55155 230AB	1				[GT3], Right
	55155 231AB	1				[GT3], Left
	55155 232AC	1				[GTM], Right
	55155 233AC	1				[GTM], Left
2						MIRROR, Outside Rearview Electric Foldaway
	55155 446AB	1				[GTN], Right
	55155 447AB	1				[GTN], Left
3						SEAL, Mirror
	55136 274AB	1				Right
	55136 275AB	1				Left
4	J420 0408	6				NUT AND WASHER, Hex Nut-Coned Washer, M5 x 0.80
-5						GLASS, Mirror Replacement
	5013 636AA	1				[GTN], Right
	5013 637AA	1				[GTN], Left
	5017 072AA	1				[GT3], Right
	5017 075AA	1				[GT3], Left
	5017 072AA	1				[GTM], Right
	5017 073AA	1				[GTM], Left



JEEP GRAND CHEROKEE (WJ)				
SERIES	LINE	BODY	ENGINE	TRANSMISSION
H = Laredo	J = 4WD	74 = 4 Door	ERH = 4.0L, Power Tech I-6	DGK = 4 Speed Autm, 42RE
M = Sport	T = 2WD		EVA = 4.7L, Power Tech V8	DGQ = 5 Speed Automatic, 45RFE
P = Limited			EVC = 4.7L HO V8 MPI	DG0 = All Automatic Transm
S = Overland			ERO = All 4.0L 6 Cyl Gas	
			EVO = All 4.7I Gas	

AR = Use as required - = Non illustrated part # = New this model year May 1, 2002

Door, Front Weatherstrips and Seals
Figure DWJ-610



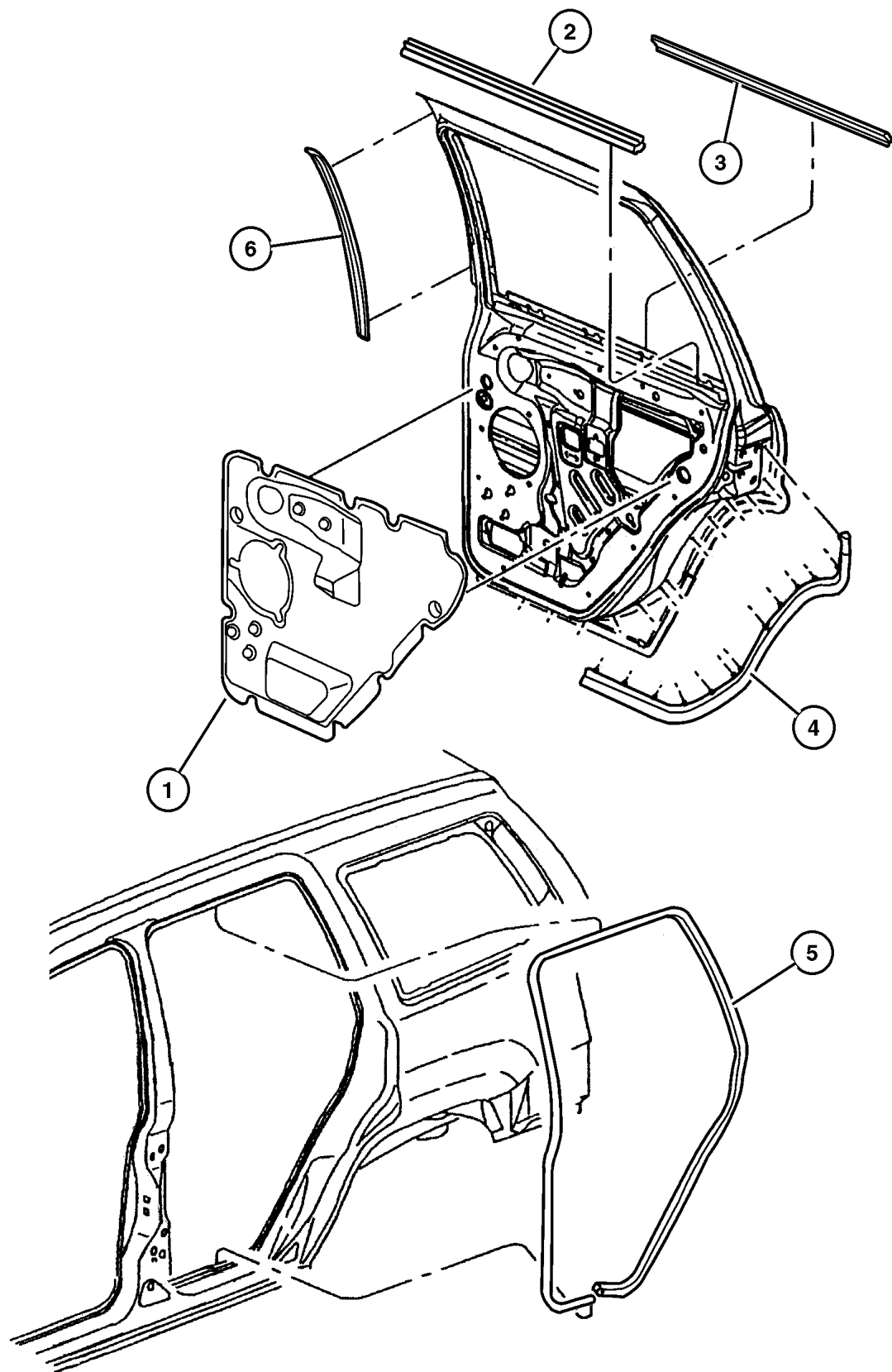
ITEM	PART NUMBER	QTY	LINE	SERIES	BODY	DESCRIPTION
1						INSULATOR, Front Door
	55135 874AG	1				Right
	55135 875AG	1				Left
2						WEATHERSTRIP, Front Door Belt
	55135 878AC	1				Right
	55135 879AC	1				Left
3						WEATHERSTRIP, Front Door Belt
	55135 898AC	1				Right
	55135 899AC	1				Left
4						SEAL, Front Door
	#55135 918AG	1				Right
	#55135 919AG	1				Left
5						SEAL, Front Door
	55136 114AB	1				Right
	55136 115AB	1				Left
6	5513 5678	2				BLOCKER, Seal Exterior A Pillar, Right
7						SEAL, Body Side
	55135 869AC	1				Left
	55135 872AC	1				
8						MOLDING, Windshield
	55136 902AE	1				Right
	55136 903AE	1				Left
9						SCREW, Tapping, .164-18x.437, 06033605, (NOT SERVICED)

JEEP GRAND CHEROKEE (WJ)				
SERIES	LINE	BODY	ENGINE	TRANSMISSION
H = Laredo	J = 4WD	74 = 4 Door	ERH = 4.0L, Power Tech I-6	DGK = 4 Speed Autm, 42RE
M = Sport	T = 2WD		EVA = 4.7L, Power Tech V8	DGQ = 5 Speed Automatic, 45RFE
P = Limited			EVC = 4.7L HO V8 MPI	DG0 = All Automatic Transm
S = Overland			ERO = All 4.0L 6 Cyl Gas	
			EVO = All 4.7I Gas	

AR = Use as required - = Non illustrated part # = New this model year

May 1, 2002

Door, Rear Weatherstrips and Seals
Figure DWJ-620



ITEM	PART NUMBER	QTY	LINE	SERIES	BODY	DESCRIPTION
1	55135 876AF	1				INSULATOR, Rear Door Right
	55135 877AF	1				Left
2	55135 888AC	1				WEATHERSTRIP, Rear Door Belt, Inner Right
	55135 889AC	1				Left
3	55135 890AC	1				WEATHERSTRIP, Rear Door Belt, Outer Right
	55135 891AC	1				Left
4	55136 116AB	1				SEAL, Rear Door Right
	55136 117AB	1				Left
5	#55135 958AG	1				SEAL, Rear Door Right
	#55135 959AG	1				Left
6	55136 118AD	1				SEAL, B-Pillar Right
	55136 119AD	1				Left

JEEP GRAND CHEROKEE (WJ)

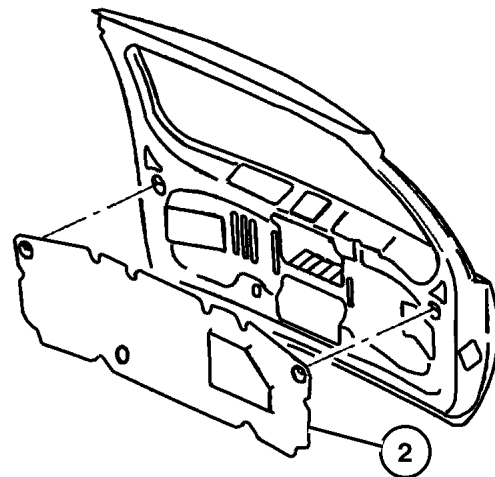
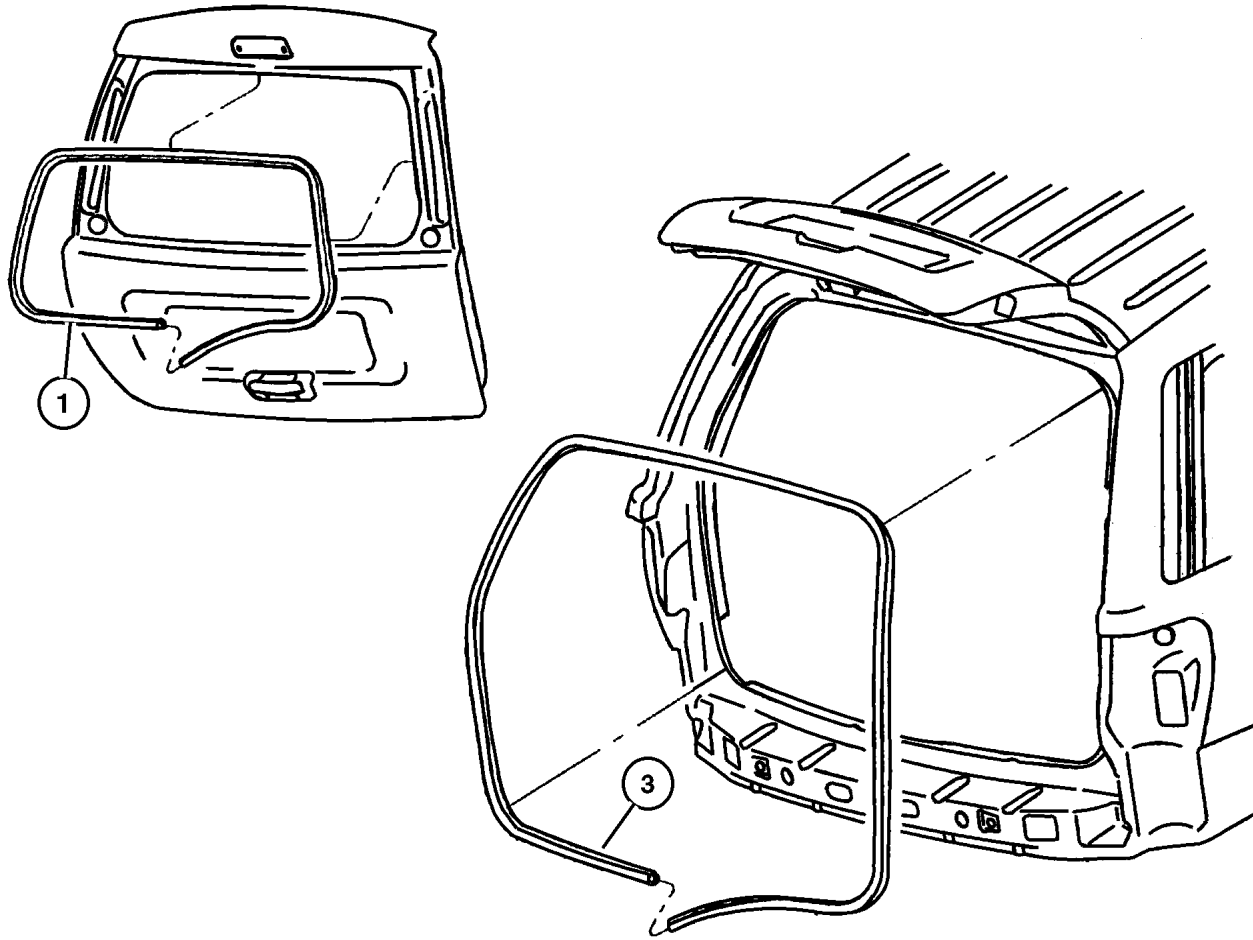
SERIES	LINE	BODY	ENGINE	TRANSMISSION
H = Laredo	J = 4WD	74 = 4 Door	ERH = 4.0L, Power Tech I-6	DGK = 4 Speed Autm, 42RE
M = Sport	T = 2WD		EVA = 4.7L, Power Tech V8	DGQ = 5 Speed Automatic, 45RFE
P = Limited			EVC = 4.7L HO V8 MPI	DG0 = All Automatic Transm
S = Overland			ERO = All 4.0L 6 Cyl Gas	
			EVO = All 4.7I Gas	

AR = Use as required - = Non illustrated part # = New this model year

May 1, 2002

Door, Rear Tail Gate Weatherstrips and Seals
Figure DWJ-630

ITEM	PART NUMBER	QTY	LINE	SERIES	BODY	DESCRIPTION
1	55363 160AA	1				WEATHERSTRIP, Liftgate Glass
2	55136 185AC	1				INSULATION, liftgate
3	55135 388AC	1				SEAL, Liftgate



JEEP GRAND CHEROKEE (WJ)

SERIES	LINE	BODY	ENGINE	TRANSMISSION
H = Laredo	J = 4WD	74 = 4 Door	ERH = 4.0L, Power Tech I-6	DGK = 4 Speed Autm, 42RE
M = Sport	T = 2WD		EVA = 4.7L, Power Tech V8	DGQ = 5 Speed Automatic, 45RFE
P = Limited			EVC = 4.7L HO V8 MPI	DG0 = All Automatic Transm
S = Overland			ERO = All 4.0L 6 Cyl Gas	
			EVO = All 4.7l Gas	

AR = Use as required - = Non illustrated part # = New this model year

May 1, 2002

Group – EWJ

Exterior Ornamentation

GROUP EWJ - Exterior Ornamentation

Illustration Title

Group-Fig. No.

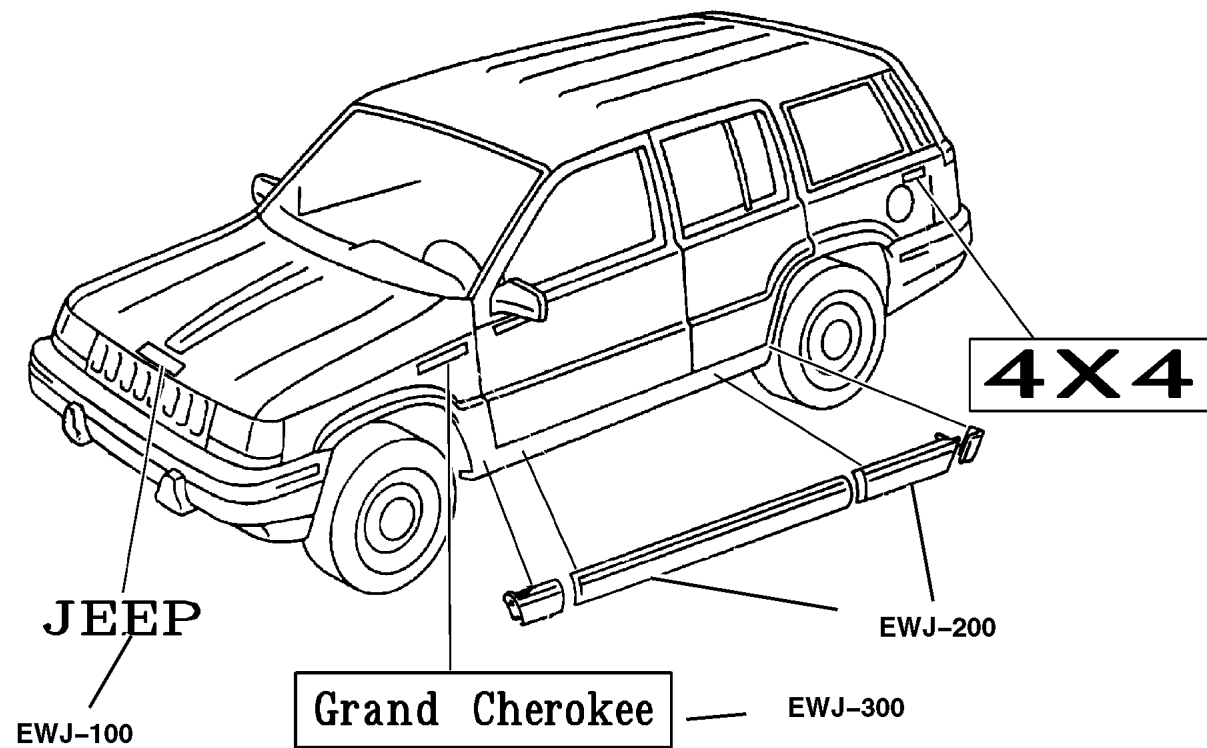
Nameplates

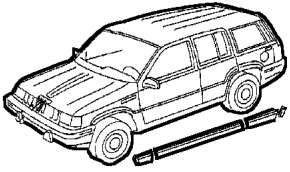
Nameplates and Decals Fig. EWJ-120

Moldings and Ornamentation

Moldings, Upper Fig. EWJ-210

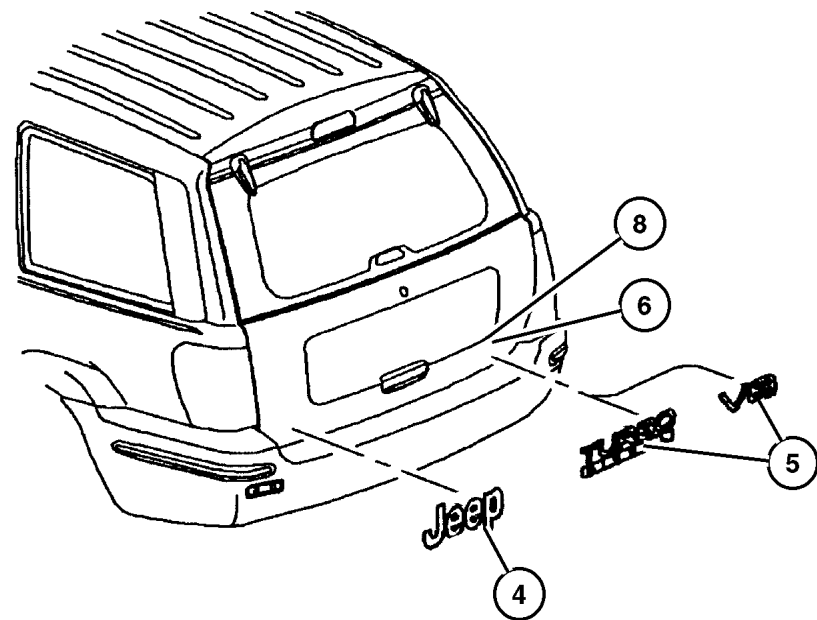
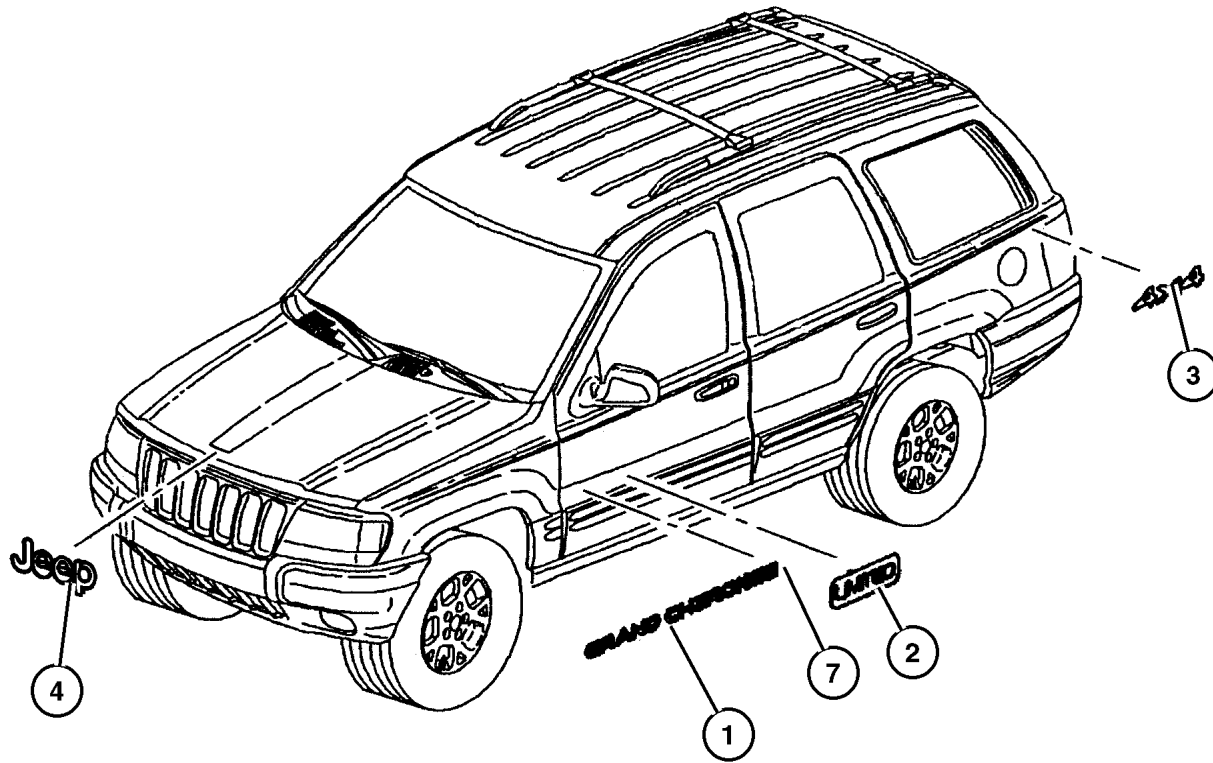
Cladding and Sill Moldings Fig. EWJ-220



<p>EWJ-100 Nameplates</p> <p>Grand Cherokee JEEP</p>	<p>EWJ-200 Moldings and Ornamentation</p> 		
---	--	--	--

Nameplates and Decals
Figure EWJ-120

ITEM	PART NUMBER	QTY	LINE	SERIES	BODY	DESCRIPTION
1	5515 5621	2				NAMEPLATE, Grand Cherokee, Grand Cherokee, Chrome
2	55156 043AA	2				DIMENSIONAL GRAPHIC, Limited, Chrome
3	5515 5623	2	J			NAMEPLATE, 4x4, Chrome
4	5515 5622	2				NAMEPLATE, Jeep, Chrome
5						NAMEPLATE, V-8 and Quadra Drive
	5515 5620	1				V-8 Chrome
	55155 994AA	1				Quadra Drive - Chrome
6	#55156 273AD	1				DECAL, Sport
7	#55156 590AA	2	J	S		NAMEPLATE, Overland
8	#55156 208AA	1				NAMEPLATE, 4.7L HO
-9	#55156 273AD	1				DECAL, Sport
-10	#55156 807AA	2			H	DIMENSIONAL GRAPHIC, Special Edition



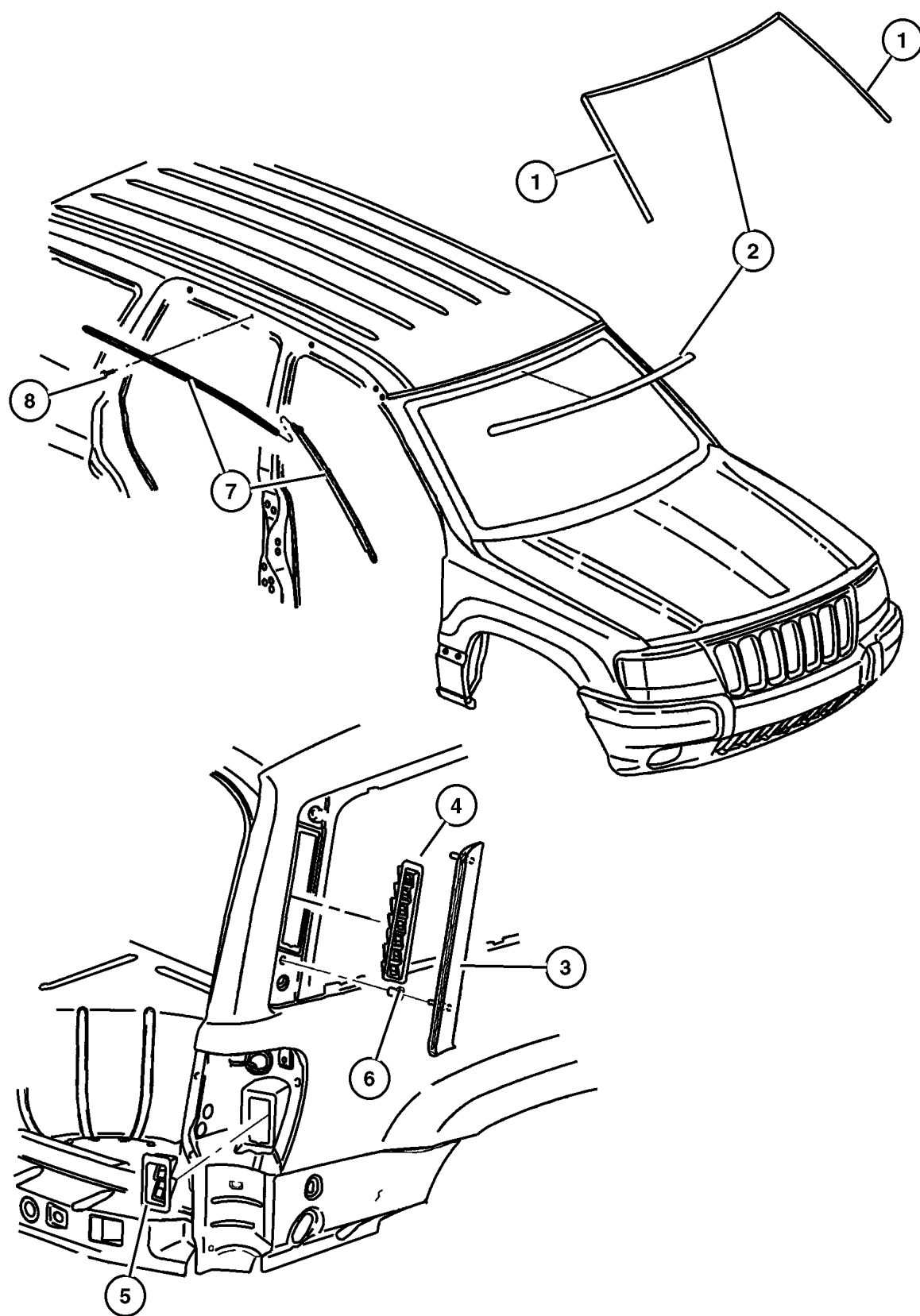
JEEP GRAND CHEROKEE (WJ)				
SERIES	LINE	BODY	ENGINE	TRANSMISSION
H = Laredo	J = 4WD	74 = 4 Door	ERH = 4.0L, Power Tech I-6	DGK = 4 Speed Autm, 42RE
M = Sport	T = 2WD		EVA = 4.7L, Power Tech V8	DGQ = 5 Speed Automatic, 45RFE
P = Limited			EVC = 4.7L HO V8 MPI	DG0 = All Automatic Transm
S = Overland			ERO = All 4.0L 6 Cyl Gas	
			EVO = All 4.7l Gas	

AR = Use as required - = Non illustrated part # = New this model year

May 1, 2002

Moldings, Upper
Figure EWJ-210

ITEM	PART NUMBER	QTY	LINE	SERIES	BODY	DESCRIPTION
1						MOLDING, Windshield
	55136 902AE	1				Right
	55136 903AE	1				Left
2	55135 592AD	1				MOLDING, Windshield, Upper
3						APPLIQUE, D Pillar
	5EZ20 DX8AC	1				[X8], Right
	5EZ20 SW1AC	1				[W1], Right
	5EZ20 WBTAC	1				[BT], Right
	5EZ20 WELAC	1				[EL], Right
	5EZ20 XBQAC	1				[BQ], Right
	5EZ20 XRVAC	1				[RV], Right
	5EZ20 XS5AC	1				[S5], Right
	5EZ20 YJRAC	1				[JR], Right
	5EZ20 YUBAC	1				[UB], Right
	5EZ20 ZDRAC	1				[DR], Right
	5EZ21 DX8AC	1				[X8], Left
	5EZ21 SW1AC	1				[W1], Left
	5EZ21 WBTAC	1				[BT], Left
	5EZ21 WELAC	1				[EL], Left
	5EZ21 XBQAC	1				[BQ], Left
	5EZ21 XRVAC	1				[RV], Left
	5EZ21 XS5AC	1				[S5], Left
	5EZ21 YJRAC	1				[JR], Left
	5EZ21 YUBAC	1				[UB], Left
	5EZ21 ZDRAC	1				[DR], Left
4	55136 278AF	1				EXHAUSTER, Quarter Panel, Right
5	55136 280AB	2				EXHAUSTER, Quarter Panel
6	6004 512	4				CLIP, D Pillar Exhauster
7						SEAL, Body Side
	55135 869AC	1				Right
	55135 872AC	1				Left
8						SCREW, Tapping, .164-18x.437, 06033605, (NOT SERVICED)



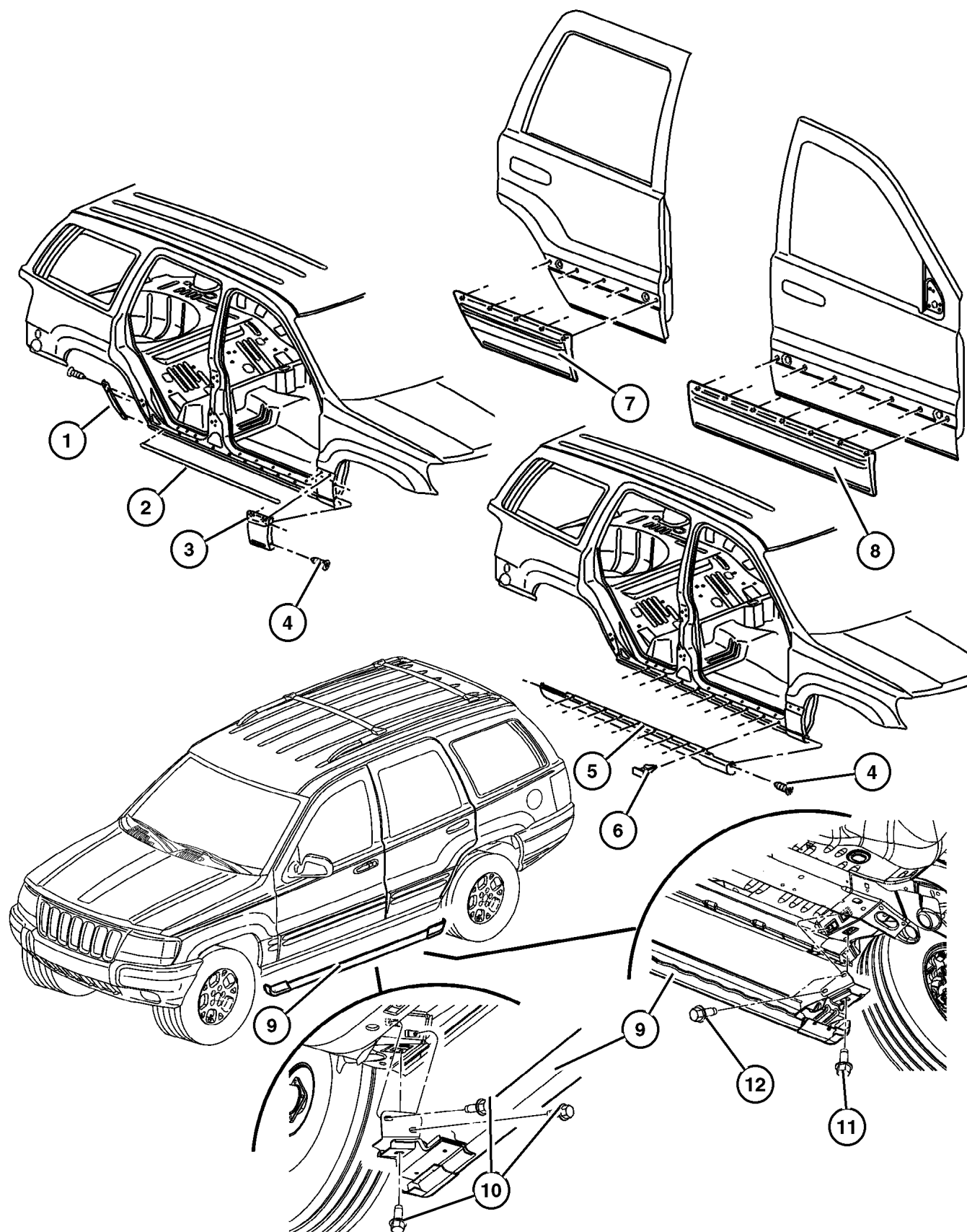
JEEP GRAND CHEROKEE (WJ)

SERIES	LINE	BODY	ENGINE	TRANSMISSION
H = Laredo	J = 4WD	74 = 4 Door	ERH = 4.0L, Power Tech I-6	DGK = 4 Speed Autm, 42RE
M = Sport	T = 2WD		EVA = 4.7L, Power Tech V8	DGQ = 5 Speed Automatic, 45RFE
P = Limited			EVC = 4.7L HO V8 MPI	DG0 = All Automatic Transm
S = Overland			ERO = All 4.0L 6 Cyl Gas	
			EVO = All 4.7I Gas	

AR = Use as required - = Non illustrated part # = New this model year

May 1, 2002

Cladding and Sill Moldings Figure EWJ-220



ITEM	PART NUMBER	QTY	LINE	SERIES	BODY	DESCRIPTION
Note; Sales Codes ake Shoe Return Spring Lower.						
[ADX,ALZ] = Special Apperance Package ake Shoe Return Spring Lower.						
1						CLADDING, Quarter Panel
	5EY78 VF7AB	1		H		[K4K], Right
	5EY78 XS9AB	1		H		[K4A], Right
	5EY78 YBMAB	1		H		[K4C], Right
	5EY78 YR8AB	1		H		[K4Y], Right
	5EY79 VF7AB	1		H		[K4K], Left
	5EY79 XS9AB	1		H		[K4A], Left
	5EY79 YBMAB	1		H		[K4C], Left
	5EY79 YR8AB	1		H		[K4Y], Left
	5EY8 8AXR	1		P		[K4B], Right
	5EY8 8DX8	1		P		[K4X], Right
	5EY8 8SW1	1		P		[K4N], Right
	5EY8 8WBT	1		P		[K4P], Right
	5EY8 8WEL	1		P		[K4W], Right
	5EY8 8WSB	1		P		[K4L], Right
	5EY8 8XBQ	1		P		[K4Q], Right
	5EY8 8XRV	1		P		[K4V], Right
	5EY8 8XS5	1		P		[K4H], Right
	5EY8 8YFF	1		P		[K4F], Right
	5EY8 8YJR	1		P		[K4J], Right
	5EY8 8YUB	1		P		[K4T], Right
	5EY8 8ZDR	1		P		[K4D], Right
	5EY8 9AXR	1		P		[K4B], Left
	5EY8 9DX8	1		P		[K4X], Left
	5EY8 9SW1	1		P		[K4N], Left
	5EY8 9WBT	1		P		[K4P], Left
	5EY8 9WEL	1		P		[K4W], Left
	5EY8 9WSB	1		P		[K4L], Left
	5EY8 9XBQ	1		P		[K4Q], Left
	5EY8 9XRV	1		P		[K4V], Left
	5EY8 9XS5	1		P		[K4H], Left
	5EY8 9YFF	1		P		[K4F], Left
	5EY8 9YJR	1		P		[K4J], Left
	5EY8 9YUB	1		P		[K4T], Left
	5EY8 9ZDR	1		P		[K4D], Left
	5EY8 8WEL	1		S		[K4W], Right
	5EY8 8WSB	1		S		[K4L], Right
	5EY8 8XS5	1		S		[K4H], Right
	5EY8 8YJR	1		S		[K4J], Right

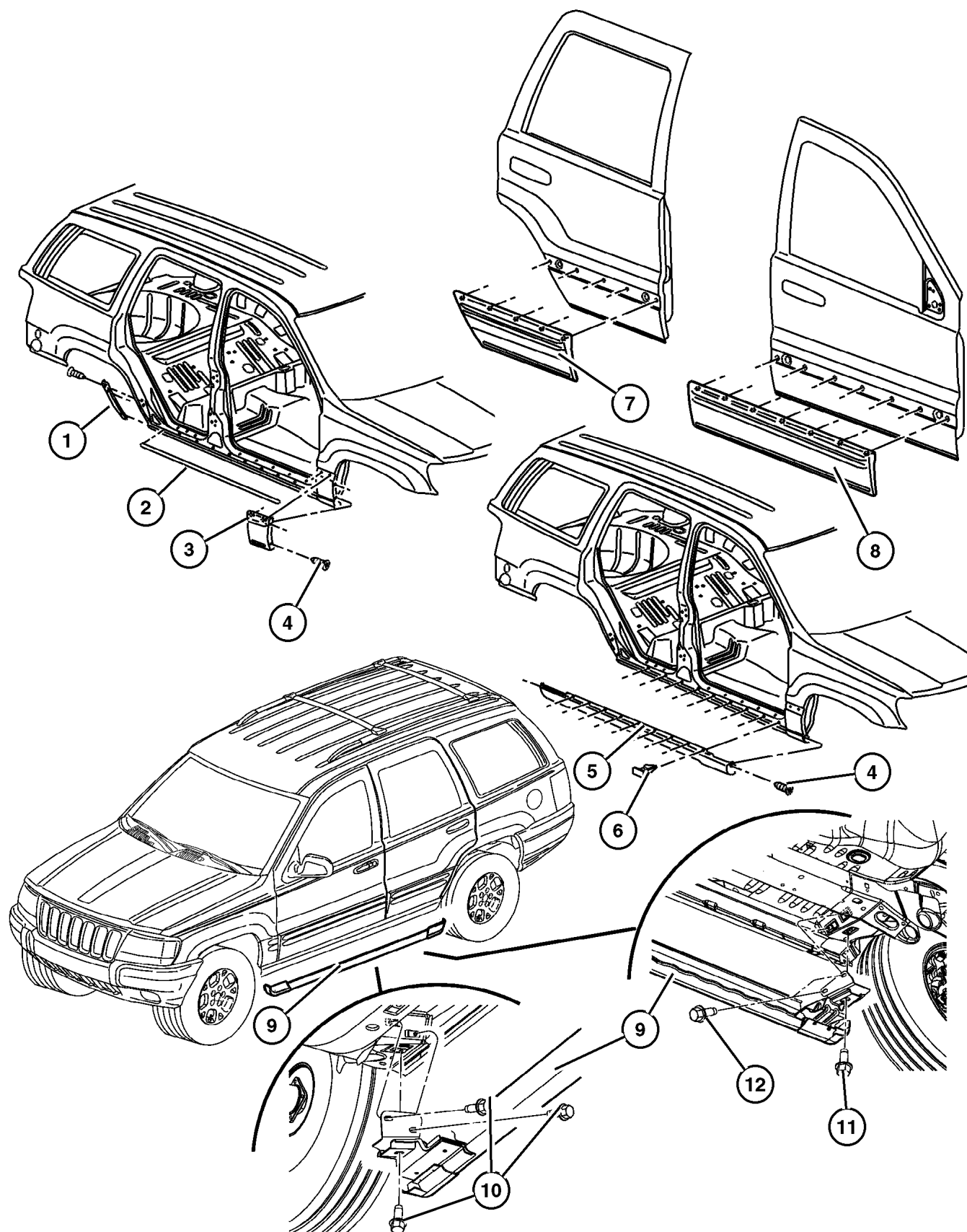
JEEP GRAND CHEROKEE (WJ)

SERIES	LINE	BODY	ENGINE	TRANSMISSION
H = Laredo	J = 4WD	74 = 4 Door	ERH = 4.0L, Power Tech I-6	DGK = 4 Speed Autm, 42RE
M = Sport	T = 2WD		EVA = 4.7L, Power Tech V8	DGQ = 5 Speed Automatic, 45RFE
P = Limited			EVC = 4.7L HO V8 MPI	DG0 = All Automatic Transm
S = Overland			ERO = All 4.0L 6 Cyl Gas	
			EVO = All 4.7l Gas	

AR = Use as required - = Non illustrated part # = New this model year

May 1, 2002

Cladding and Sill Moldings Figure EWJ-220



ITEM	PART NUMBER	QTY	LINE	SERIES	BODY	DESCRIPTION
	5EY8 8ZDR	1		S		[K4D], Right
	5EY8 9WEL	1		S		[K4W], Left
	5EY8 9WSB	1		S		[K4L], Left
	5EY8 9XS5	1		S		[K4H], Left
	5EY8 9YJR	1		S		[K4J], Left
	5EY8 9ZDR	1		S		[K4D], Left
	5EY78 VF7AB	1		M		[K4K], Right
	5EY78 XS9AB	1		M		[K4A], Right
	5EY79 VF7AB	1		M		[K4K], Left
	5EY79 XS9AB	1		M		[K4A], Left
	5EY8 8AXR	1		H		[K4B], Right
	5EY8 8SW1	1		H		[K4N], Right
	5EY8 8WBT	1		H		[K4P], Right
	5EY8 8WEL	1		H		[K4W], Right
	5EY8 8WSB	1		H		[K4L], Right
	5EY8 8XBQ	1		H		[K4Q], Right
	5EY8 8XRV	1		H		[K4V], Right
	5EY8 8YJR	1		H		[K4J], Right
	5EY8 8YUB	1		H		[K4T], Right
	5EY8 8ZDR	1		H		[K4D], Right
	5EY8 9AXR	1		H		[K4B], Left
	5EY8 9SW1	1		H		[K4N], Left
	5EY8 9WBT	1		H		[K4P], Left
	5EY8 9WEL	1		H		[K4W], Left
	5EY8 9WSB	1		H		[K4L], Left
	5EY8 9XBQ	1		H		[K4Q], Left
	5EY8 9XRV	1		H		[K4V], Left
	5EY8 9YJR	1		H		[K4J], Left
	5EY8 9YUB	1		H		[K4T], Left
	5EY8 9ZDR	1		H		[K4D], Left
2						MOLDING, Sill Cover
	5EY64 VF7AB	1		H		[K5K], Right
	5EY64 XS9AB	1		H		[K5A], Right
	5EY64 YBMAB	1		H		[K5C], Right
	5EY64 YR8AB	1		H		[K5Y], Right
	5EY65 VF7AB	1		H		[K5K], Left
	5EY65 XS9AB	1		H		[K5A], Left
	5EY65 YBMAB	1		H		[K5C], Left
	5EY65 YR8AB	1		H		[K5Y], Left
	#5EY64 VF7AC	1		M		[K5K], Right
	5EY64 XS9AB	1		M		[K5A], Right

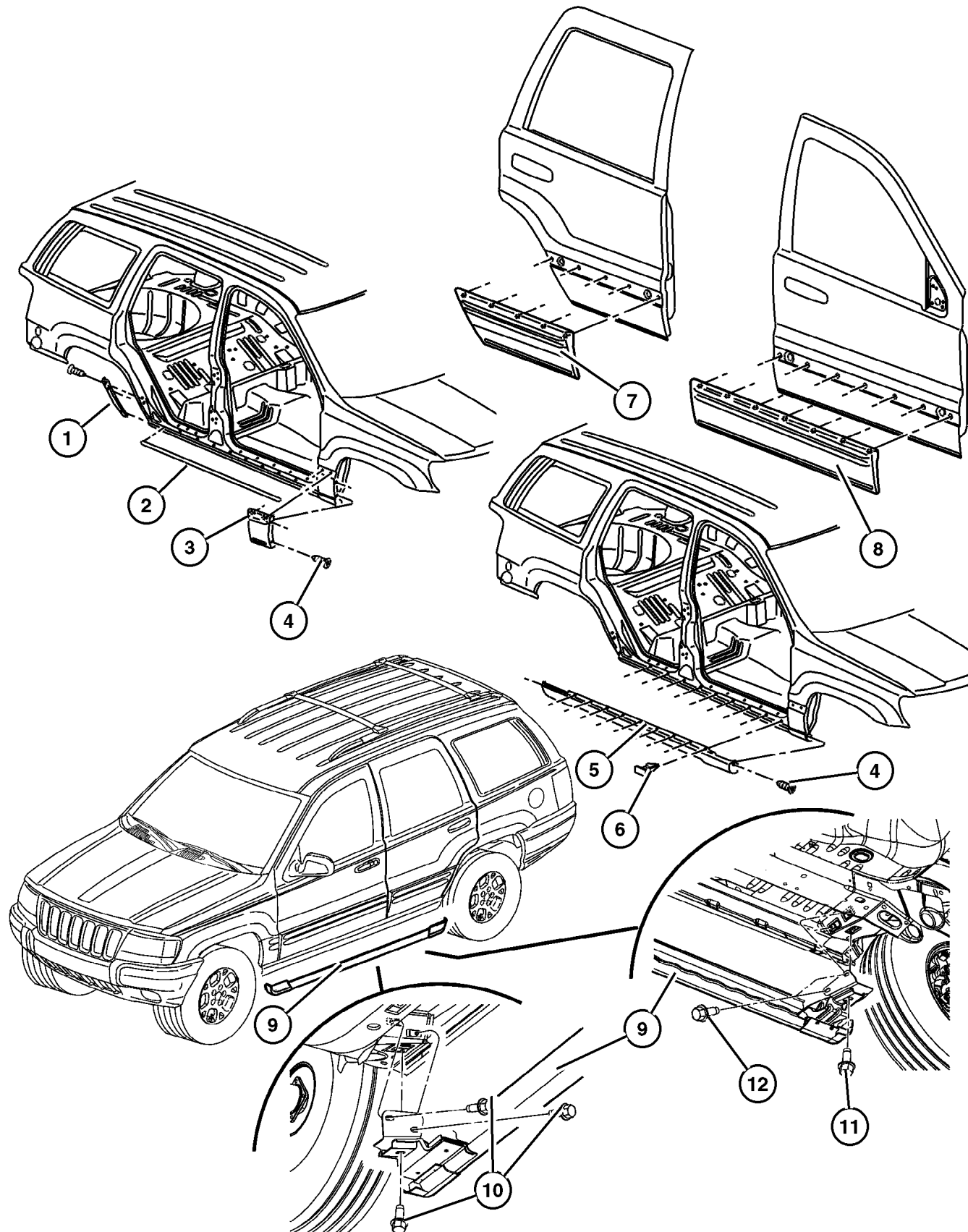
JEEP GRAND CHEROKEE (WJ)

SERIES	LINE	BODY	ENGINE	TRANSMISSION
H = Laredo	J = 4WD	74 = 4 Door	ERH = 4.0L, Power Tech I-6	DGK = 4 Speed Autm, 42RE
M = Sport	T = 2WD		EVA = 4.7L, Power Tech V8	DGQ = 5 Speed Automatic, 45RFE
P = Limited			EVC = 4.7L HO V8 MPI	DG0 = All Automatic Transm
S = Overland			ERO = All 4.0L 6 Cyl Gas	
			EVO = All 4.7L Gas	

AR = Use as required - = Non illustrated part # = New this model year

May 1, 2002

Cladding and Sill Moldings Figure EWJ-220



ITEM	PART NUMBER	QTY	LINE	SERIES	BODY	DESCRIPTION
	#5EY65 VF7AC	1		M		[K5K], Left
	5EY65 XS9AB	1		M		[K5A], Left
3	#5015 766AB	1		P		CLADDING, Fender Right
	#5015 767AB	1		P		Left
	#5015 766AB	1		S		Right
	5015 767AA	1		S		Left
	#5015 766AB	1		H		[ADX,ALZ], Right
	#5015 767AB	1		H		[ADX,ALZ], Left
	5FR16 VF7AB	1		H		[K4K], Right
	5FR16 XS9AB	1		H		[K4A], Right
	5FR16 YBMAB	1		H		[K4C], Right
	5FR16 YR8AB	1		H		[K4Y], Right
	5FR17 VF7AB	1		H		[K4K], Left
	5FR17 XS9AB	1		H		[K4A], Left
	5FR17 YBMAB	1		H		[K4C], Left
	5FR17 YR8AB	1		H		[K4Y], Left
	#5FR16 VF7AC	1		M		[K4K], Right
	5FR16 XS9AB	1		M		[K4A], Right
	#5FR17 VF7AC	1		M		[K4K], Left
	5FR17 XS9AB	1		M		[K4A], Left
4	6035 217	4				SCREW, Round Head, .164-18.5
5						MOLDING, Sill Cover
	5EY64 VF7AB	1		H		[K4K], Right
	5EY64 XS9AB	1		H		[K4A], Right
	5EY64 YBMAB	1		H		[K4C], Right
	5EY64 YR8AB	1		H		[K4Y], Right
	5EY65 VF7AB	1		H		[K4K], Left
	5EY65 XS9AB	1		H		[K4A], Left
	5EY65 YBMAB	1		H		[K4C], Left
	5EY65 YR8AB	1		H		[K4Y], Left
	5FX65 DX9AA	2		P, S		
	#5EY64 VF7AC	1		M		[K4K], Right
	5EY64 XS9AB	1		M		[K4A], Right
	#5EY65 VF7AC	1		M		[K4K], Left
	5EY65 XS9AB	1		M		[K4A], Left
6	5FR5 6DX9	18		H		RETAINER
7						CLADDING, Rear Door
	#5015 772AB	1		P		Right
	#5015 773AB	1		P		Left
	5015 773AA	1		S		Left

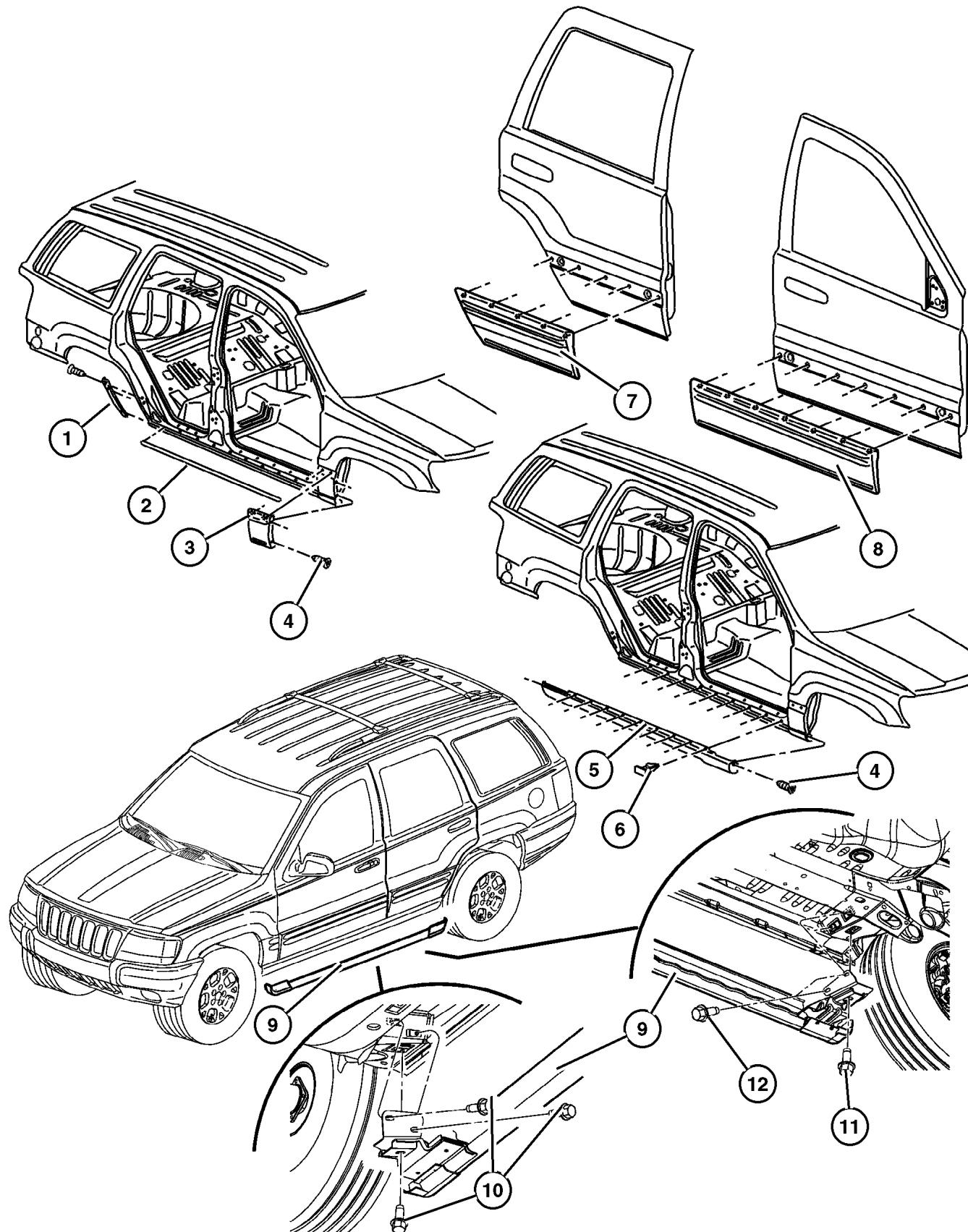
JEEP GRAND CHEROKEE (WJ)

SERIES	LINE	BODY	ENGINE	TRANSMISSION
H = Laredo	J = 4WD	74 = 4 Door	ERH = 4.0L, Power Tech I-6	DGK = 4 Speed Autm, 42RE
M = Sport	T = 2WD		EVA = 4.7L, Power Tech V8	DGQ = 5 Speed Automatic, 45RFE
P = Limited			EVC = 4.7L HO V8 MPI	DG0 = All Automatic Transm
S = Overland			ERO = All 4.0L 6 Cyl Gas	
			EVO = All 4.7I Gas	

AR = Use as required - = Non illustrated part # = New this model year

May 1, 2002

Cladding and Sill Moldings Figure EWJ-220



ITEM	PART NUMBER	QTY	LINE	SERIES	BODY	DESCRIPTION
	#5015 772AB	1		S		Right
		1		H		[ADX,ALZ], Right
	#5015 773AB	1		H		[ADX,ALZ], Left
	5EY74 VF7AC	1		H		[K4K], Right
	5EY74 XS9AC	1		H		[K4A], Right
	5EY74 YBMAC	1		H		[K4C], Right
	5EY74 YR8AC	1		H		[K4Y], Right
	5EY75 VF7AC	1		H		[K4K], Left
	5EY75 XS9AC	1		H		[K4A], Left
	5EY75 YBMAC	1		H		[K4C], Left
	5EY75 YR8AC	1		H		[K4Y], Left
8						CLADDING, Front Door
	#5015 770AB	1		H		[ADX,ALZ], Right
	#5015 771AB	1		H		[ADX,ALZ], Left
	#5015 770AB	1		P		Right
	#5015 771AB	1		P		Left
		1		S		Left
	#5015 770AB	1		S		Right
	5FR20 VF7AC	1		H		[K4K], Right
	5FR20 XS9AC	1		H		[K4A], Right
	5FR20 YBMAC	1		H		[K4C], Right
	5FR20 YR8AC	1		H		[K4Y], Right
	5FR21 VF7AC	1		H		[K4K], Left
	5FR21 XS9AC	1		H		[K4A], Left
	5FR21 YBMAC	1		H		[K4C], Left
	5FR21 YR8AC	1		H		[K4Y], Left
9						RAIL, Rocker Panel
	#5HU38 VF7AE	1				Right
	#5HU39 VF7AE	1				Left
10	#6507 331AA	12				SCREW
11	#6507 332AA	2				SCREW
12	#6507 333AA	2				SCREW
-13						TAPE, Anti Chip, Black
	#55156 736AA	2		H		
	#55156 736AB	2		P, S		

JEEP GRAND CHEROKEE (WJ)

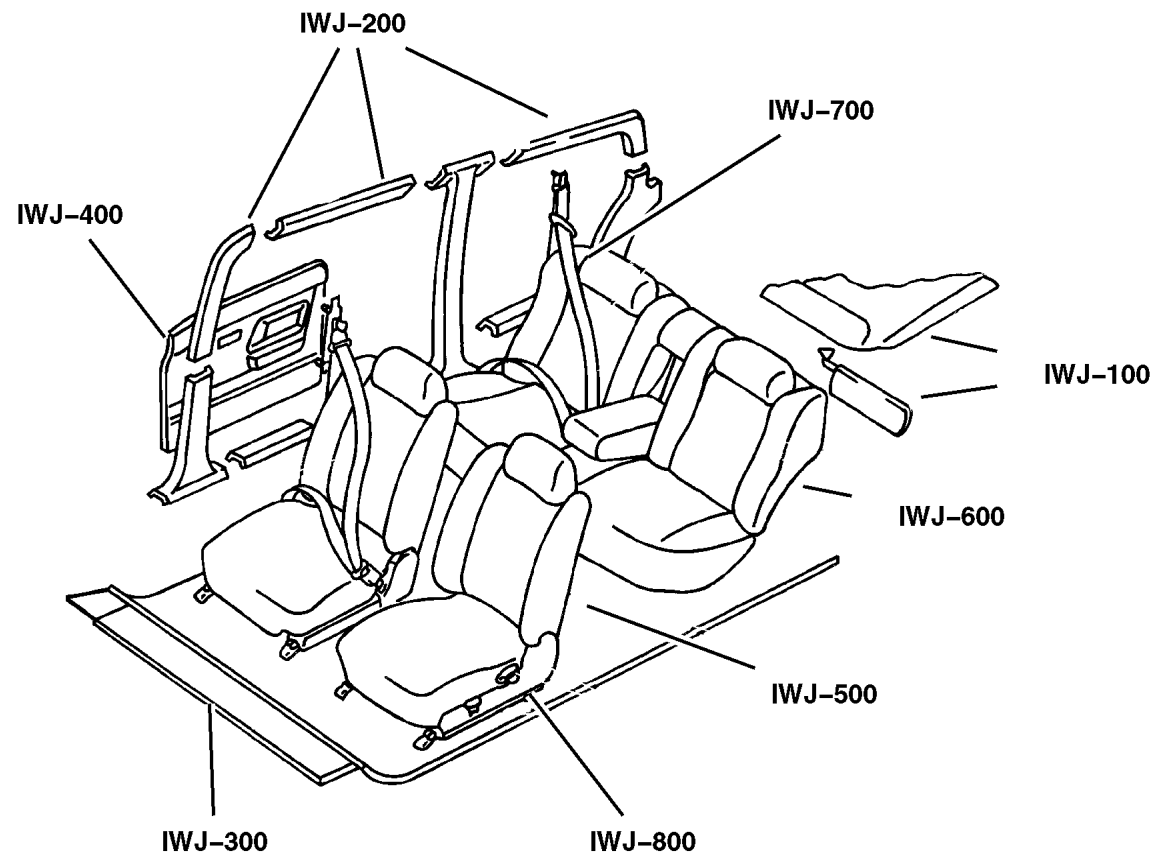
SERIES	LINE	BODY	ENGINE	TRANSMISSION
H = Laredo	J = 4WD	74 = 4 Door	ERH = 4.0L, Power Tech I-6	DGK = 4 Speed Autm, 42RE
M = Sport	T = 2WD		EVA = 4.7L, Power Tech V8	DGQ = 5 Speed Automatic, 45RFE
P = Limited			EVC = 4.7L HO V8 MPI	DG0 = All Automatic Transm
S = Overland			ERO = All 4.0L 6 Cyl Gas	
			EVO = All 4.7I Gas	

AR = Use as required - = Non illustrated part # = New this model year

May 1, 2002

Group – IWJ

Interior Trim



Group – IWJ

Interior Trim

<p>IWJ-1000 Lift Gate Trim</p>			
---	--	--	--

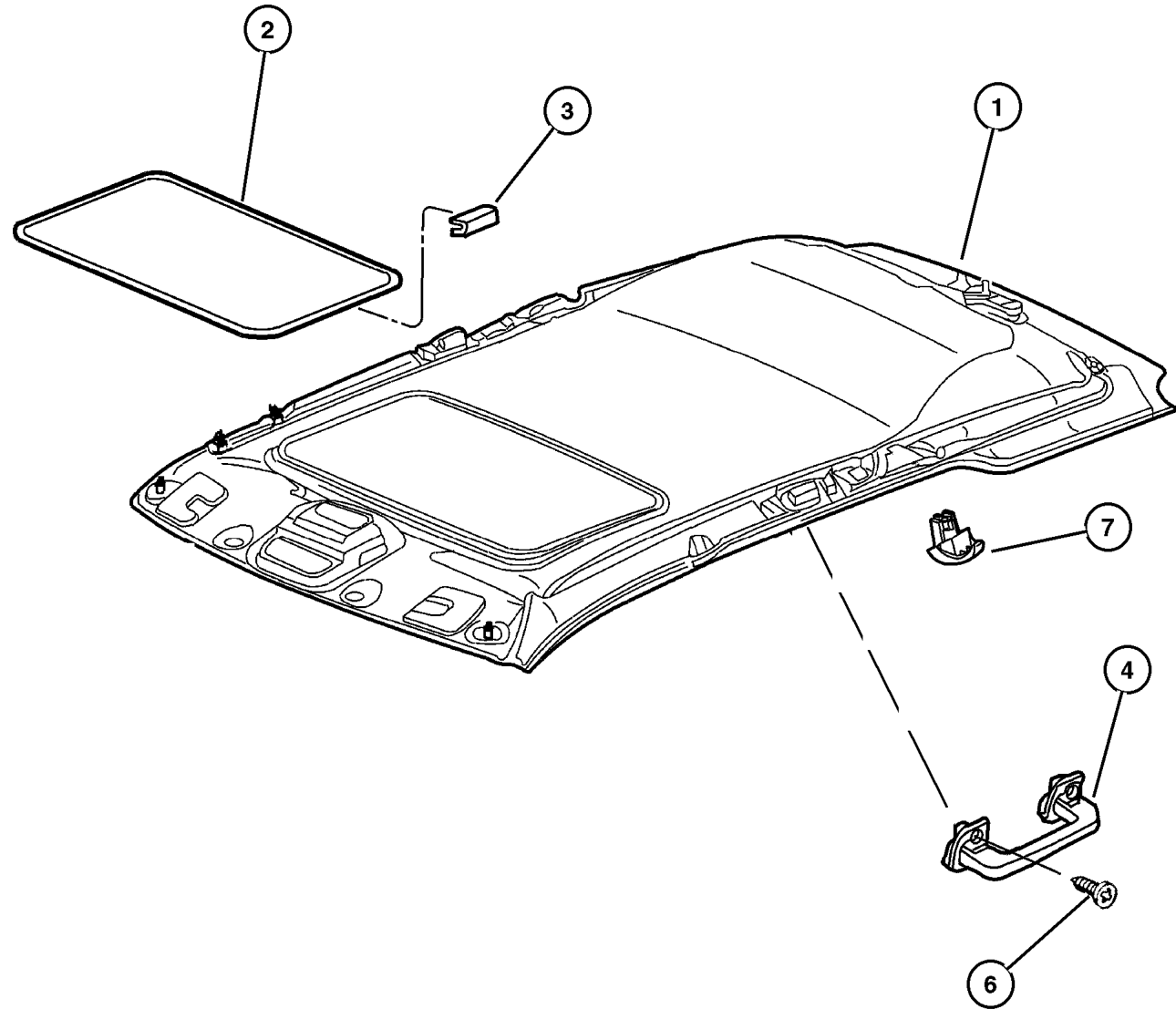
<p>IWJ-100 Headliner and Visor</p>	<p>IWJ-200 Panel – Mouldings, Scuff Plates</p>	<p>IWJ-300 Carpet and Tonneau Cover</p>	<p>IWJ-400 Door Trim Panels</p>
<p>IWJ-500 Front Seats and Attaching Parts</p>	<p>IWJ-600 Rear Seats and Attaching Parts</p>	<p>IWJ-700 Seat Belts – Front and Rear</p>	<p>IWJ-800 Adjusters, Covers, Shields and Risers</p>

GROUP IWJ - Interior Trim

Illustration Title	Group-Fig. No.
Headliner and Visor	
Headliner and Assist Handle	Fig. IWJ-110
Sunvisor	Fig. IWJ-120
Panel - Mouldings, Scuff Plates	
Front Trim Panels and Scuff Plates	Fig. IWJ-210
Rear Trim Panels	Fig. IWJ-220
Side Air Bag Curtain	Fig. IWJ-230
Carpet and Tonneau Cover	
Carpet and Insulation	Fig. IWJ-310
Door Trim Panels	
Door Trim Panels	Fig. IWJ-410
Front Seats and Attaching Parts	
Front Seat, Cloth, Trim Code [E7]	Fig. IWJ-510
Front Seat, Leather, Trim Code [JL]	Fig. IWJ-520
Front Seat, Leather, Trim Code [XL]	Fig. IWJ-530
Front Seat, Leather, Trim Code [NL]	Fig. IWJ-540
Rear Seats and Attaching Parts	
Rear Seat, Trim Code [E7]	Fig. IWJ-610
Rear Seat, Trim Code [JL]	Fig. IWJ-620
Rear Seat, Trim Code [XL]	Fig. IWJ-630
Rear Seat, Trim Code [NL]	Fig. IWJ-640
Seat Belts - Front and Rear	
Front Seat	Fig. IWJ-710
Rear Seat Belt	Fig. IWJ-720
Adjusters, Covers, Shields and Risers	
Recliner and Adjusters	Fig. IWJ-810
Lift Gate Trim	
Liftgate Panel and Scuff Plate	Fig. IWJ-1010



Headliner and Assist Handle Figure IWJ-110



ITEM	PART NUMBER	QTY	LINE	SERIES	BODY	TRIM	DESCRIPTION
Sales Codes : ake Shoe Return Spring Lower.							
[CGS] = With Side Airbags ake Shoe Return Spring Lower.							
[GWA] = Sunroof ake Shoe Return Spring Lower.							
[JHC] = Windshield Wiper, Rain Sensitive ake Shoe Return Spring Lower.							
1							HEADLINER
	#5HG77 TL2AB	1					[DV, L5], Without Side Airbags [CGS], Sunroof [GWA], Rain Sensitive Wipers [JHC]
	#5HG77 XT5AC	1					[T5], Without Side Airbags [CGS], Sunroof [GWA], Rain Sensitive Wipers [JHC]
	#5HG86 TL2AB	1					[DV, L5], With Side Airbags [CGS], Without Sunroof [GWA], Rain Sensitive Wipers [JHC]
	#5HG86 XT5AB	1					[T5], With Side Airbags [CGS], Without Sunroof [GWA], Rain Sensitive Wipers [JHC]
	#5HG87 TL2AB	1					[DV, L5], With Side Airbags [CGS], Rain Sensitive Wipers [JHC], Without Sunroof [GWA]
	#5HG87 XT5AB	1					[T5], With Side Airbags [CGS], Rain Sensitive Wipers [JHC], Without Sunroof [GWA]
	#5HG90 TL2AB	1					[DV, L5], With Rain Sensitive Wipers [JHC], Without Side Airbags [CGS], Sunroof [GWA]
	#5HG90 XT5AB	1					[T5], With Rain Sensitive Wipers [JHC], Without Side Airbags [CGS], Sunroof [GWA]
	#5HG93 TL2AB	1					[DV, L5], With Sunroof [GWA], Without Side Airbags [CGS], Rain Sensitive Wipers [JHC]
	#5HG93 XT5AB	1					[T5], With Sunroof [GWA], Without Side Airbags [CGS], Rain Sensitive Wipers [JHC]
	#5HG94 TL2AB	1					[DV, L5], With Side Airbags [CGS], Sunroof [GWA], Without Rain Sensitive Wipers [JHC]
	#5HG94 XT5AB	1					[T5], With Side Airbags [CGS], Sunroof [GWA], Without Rain Sensitive Wipers [JHC]
	#5HG95 TL2AB	1					[DV, L5], With Side Airbags [CGS], Sunroof [GWA], Rain Sensitive Wipers [JHC]
	#5HG95 XDBAB	1					[DB], With Side Airbags [CGS], Sunroof [GWA], Rain Sensitive Wipers [JHC]
	#5HG95 XT5AB	1					[T5], With Side Airbags [CGS], Sunroof [GWA], Rain Sensitive Wipers [JHC]
	#5HG99 TL2AB	1					[DV, L5], With Sunroof [GWA], Rain Sensitive Wipers [JHC], Without Side Airbags [CGS]
	#5HG99 XT5AB	1					[T5], With Sunroof [GWA], Rain Sensitive Wipers [JHC], Without Side Airbags [CGS]
2							WELT, Headliner
	5FW36 TL2AA	1					[DV, L5]
	5FW36 XDBAA	1					[DB]

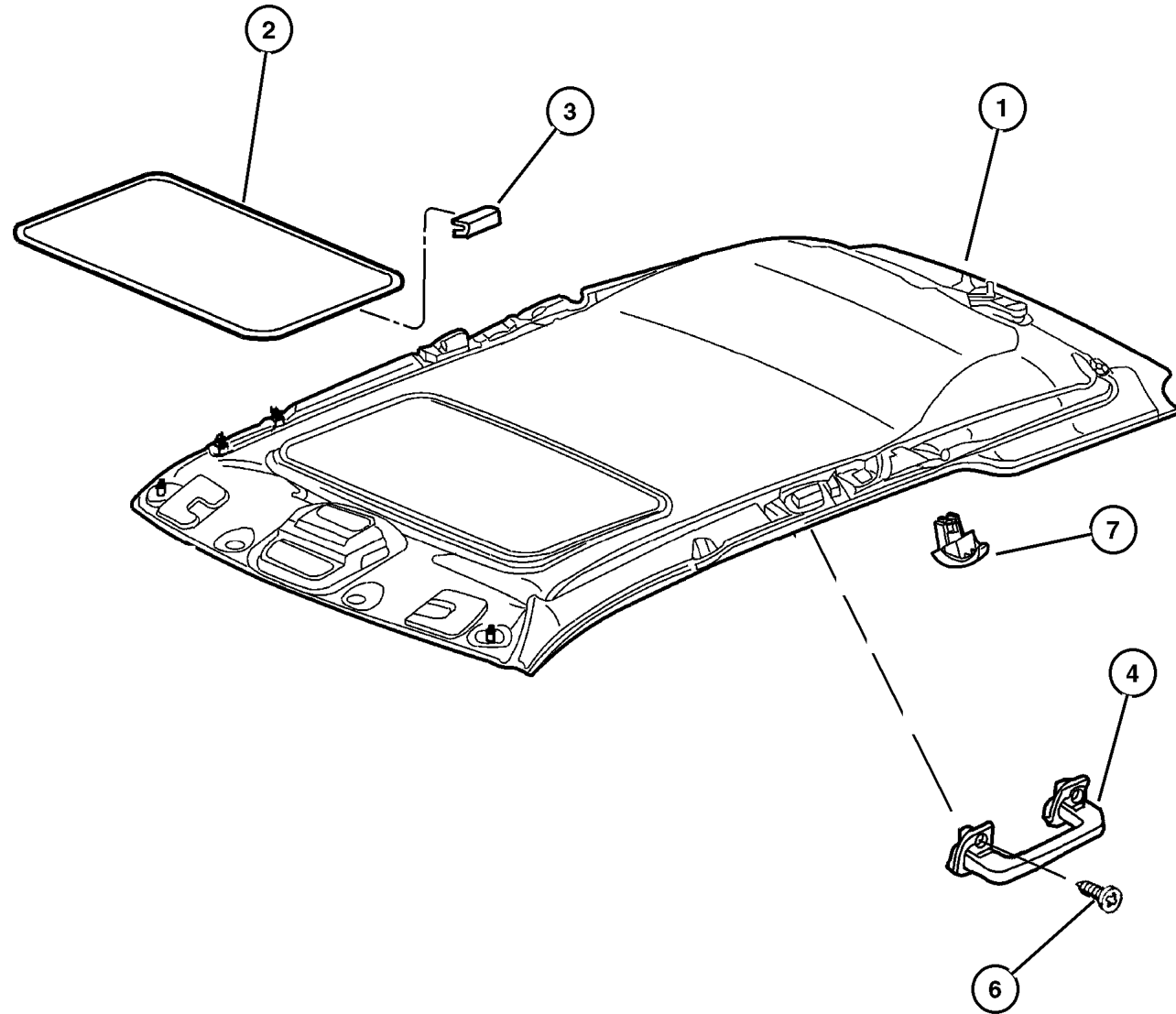
JEEP GRAND CHEROKEE (WJ)

SERIES	LINE	BODY	ENGINE	TRANSMISSION
H = Laredo	J = 4WD	74 = 4 Door	ERH = 4.0L, Power Tech I-6	DGK = 4 Speed Autm, 42RE
M = Sport	T = 2WD		EVA = 4.7L, Power Tech V8	DGQ = 5 Speed Automatic, 45RFE
P = Limited			EVC = 4.7L HO V8 MPI	DG0 = All Automatic Transm
S = Overland			ERO = All 4.0L 6 Cyl Gas	
			EVO = All 4.7l Gas	

AR = Use as required - = Non illustrated part # = New this model year

May 1, 2002

**Headliner and Assist Handle
Figure IWJ-110**



ITEM	PART NUMBER	QTY	LINE	SERIES	BODY	TRIM	DESCRIPTION
	5FW36 XT5AA	1					[T5]
3	5GD77 TL2AA	1					RETAINER, Sunroof Welt [DV, L5]
	5GD77 XDBAA	1					[DB]
	5GD77 XT5AA	1					[T5]
4	5FS6 0TL2	1					HANDLE, Roof Grab [DV, L5], Right
	5FS6 0XDB	1					[DB], Right
	5FS6 0XT5	1					[T5], With Lamp, Right
	5FS6 1TL2	1					[DV, L5], With Lamp, Left
	5FS6 1XDB	1					[DB], With Lamp, Left
	5FS6 1XT5	1					[T5], With Lamp, Left
-5	5073 251AA	AR					CLIP, Z-Axis, Visor & Grab Handle Attach, Visor and Grab Handle Attach
6	6035 324	2					SCREW, .164-18x.75
7	5FS5 2TL2	2					HOOK, Coat [DV, L5]
	5FS5 2XDB	2					[DB]
	5FS5 2XT5	2					[T5]
-8	5016 132AA	1					CLIP, Headliner Mounting, 'Z' Clip for Coat Hook Retension

JEEP GRAND CHEROKEE (WJ)

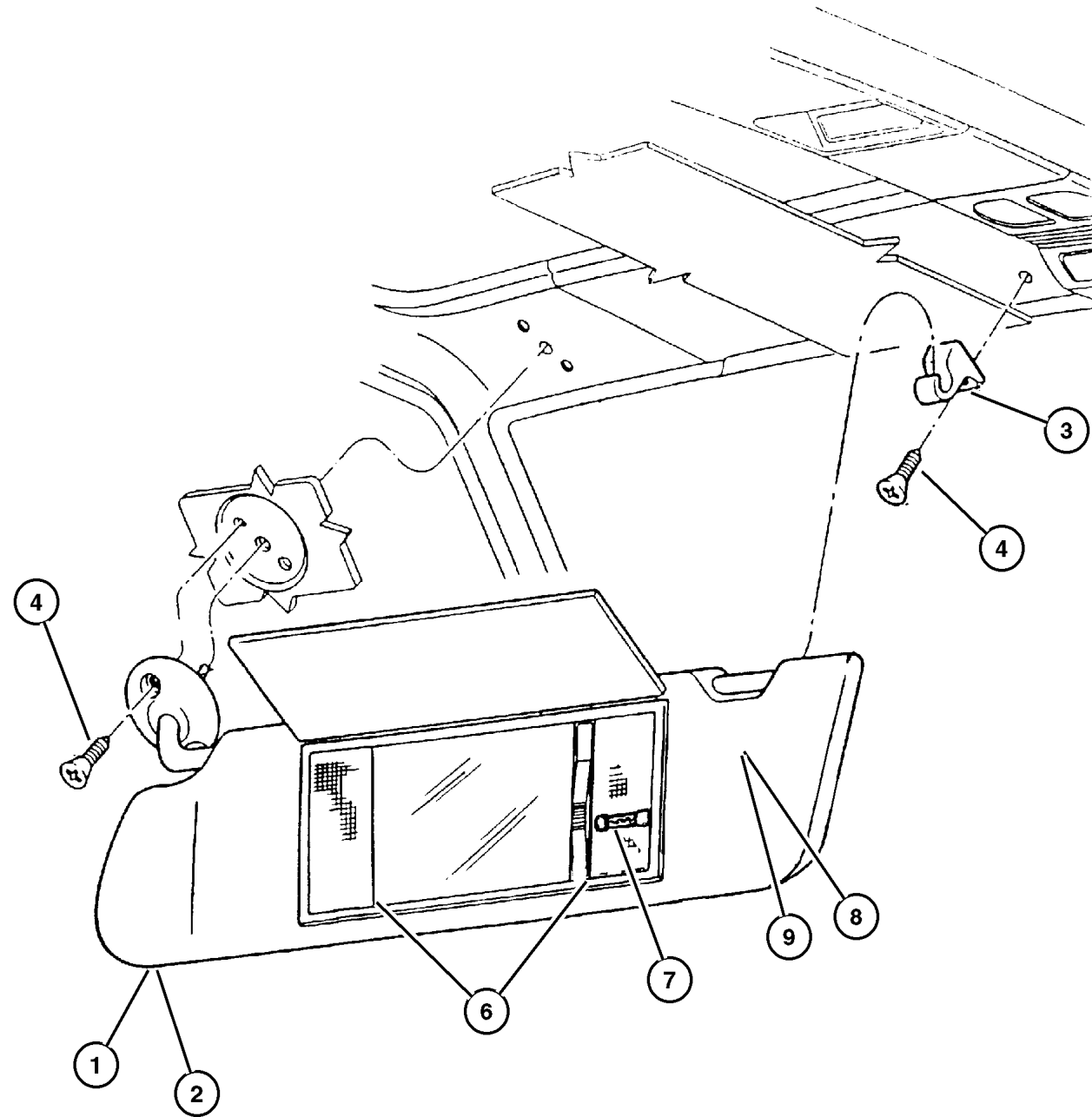
SERIES	LINE	BODY	ENGINE	TRANSMISSION
H = Laredo	J = 4WD	74 = 4 Door	ERH = 4.0L, Power Tech I-6	DGK = 4 Speed Autm, 42RE
M = Sport	T = 2WD		EVA = 4.7L, Power Tech V8	DGQ = 5 Speed Automatic, 45RFE
P = Limited			EVC = 4.7L HO V8 MPI	DG0 = All Automatic Transm
S = Overland			ERO = All 4.0L 6 Cyl Gas	
			EVO = All 4.7l Gas	

AR = Use as required - = Non illustrated part # = New this model year

May 1, 2002

**Sunvisor
Figure IWJ-120**

ITEM	PART NUMBER	QTY	LINE	SERIES	BODY	TRIM	DESCRIPTION
1							VISOR, Illuminated
	#5HG78 TL2AB	1					[DV, L5], Right
	#5HG78 XDBAB	1					[DB], Right
	#5HG78 XT5AB	1					[T5], Right
	#5HG79 TL2AB	1					[DV, L5], Left
	#5HG79 XDBAB	1					[DB], Left
	#5HG79 XT5AB	1					[T5], Left
2							VISOR, W/Mirror
	#5HG82 TL2AB	1					[DV, L5], Right
	#5HG82 XT5AB	1					[T5], Right
	#5HG83 TL2AB	1					[DV, L5], Left
	#5HG83 XT5AB	1					[T5], Left
3							SUPPORT, Visor
	5FS4 0TL2	2					[DV, L5]
	5FS4 0XDB	2					[DB]
	5FS4 0XT5	2					[T5]
4	6035 324	2					SCREW, .164-18x.75
-5	5073 251AA	6					CLIP, Z-Axis, Visor & Grab Handle Attach
6	4778 794	1					LENS, Illuminated Visor
7	6501 966	1					BULB, Sunvisor
8	4787 437AA	2					LABEL, Air Bag Warning
9	55352 825AA	1					LABEL, Visor Warning, CANADA ONLY, High Rollover Risk

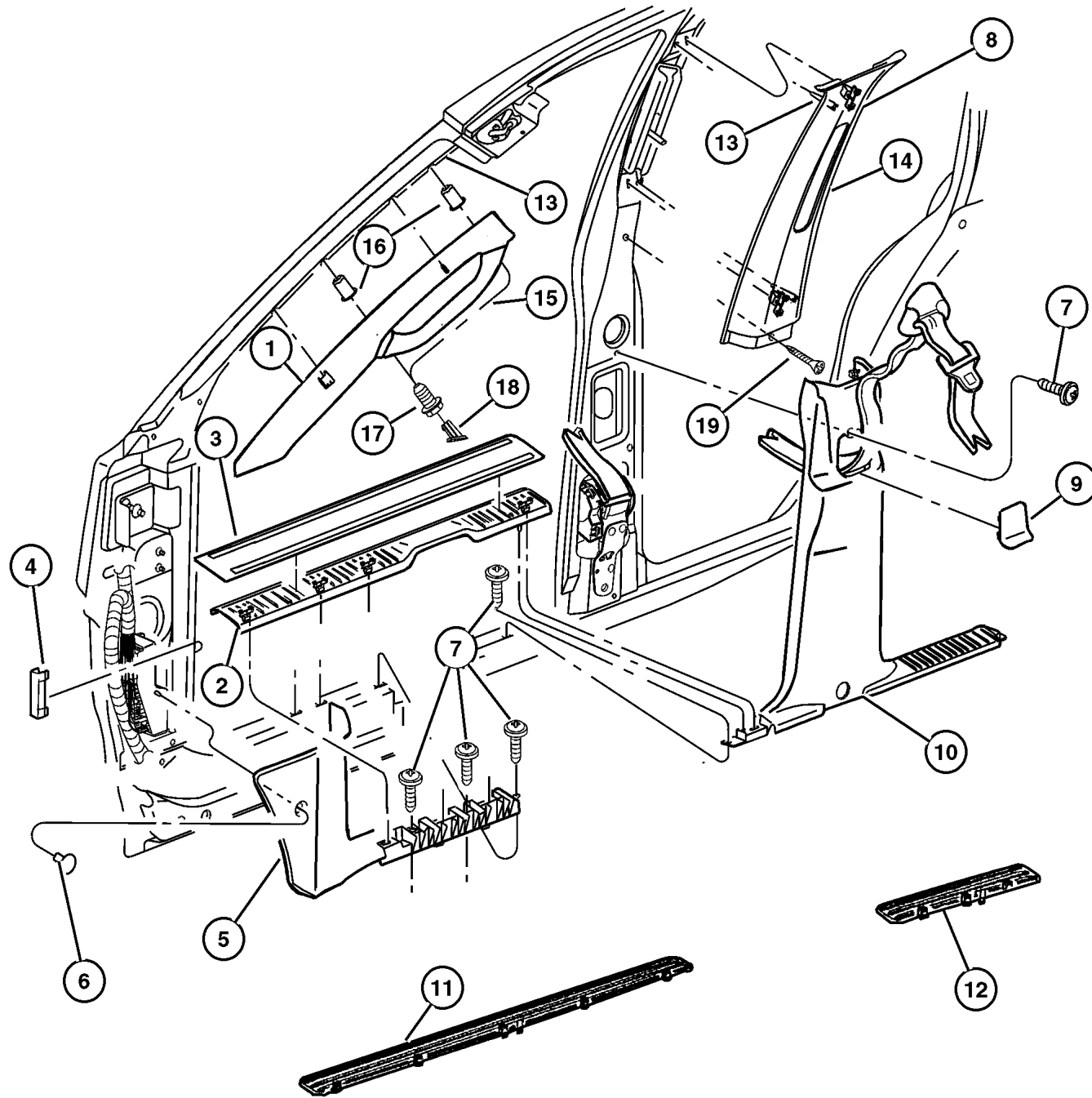


JEEP GRAND CHEROKEE (WJ)				
SERIES	LINE	BODY	ENGINE	TRANSMISSION
H = Laredo	J = 4WD	74 = 4 Door	ERH = 4.0L, Power Tech I-6	DGK = 4 Speed Autm, 42RE
M = Sport	T = 2WD		EVA = 4.7L, Power Tech V8	DGQ = 5 Speed Automatic, 45RFE
P = Limited			EVC = 4.7L HO V8 MPI	DG0 = All Automatic Transm
S = Overland			ERO = All 4.0L 6 Cyl Gas	
			EVO = All 4.7I Gas	

AR = Use as required - = Non illustrated part # = New this model year

May 1, 2002

Front Trim Panels and Scuff Plates
Figure IWJ-210



ITEM	PART NUMBER	QTY	LINE	SERIES	BODY	TRIM	DESCRIPTION
1							MOLDING, A-PILLAR
	#5HF62 TL2AB	1					[DV, L5], Right
	#5HF62 XDBAB	1					[DB], Right
	#5HF62 XT5AB	1					[T5], Right
	#5HF63 TL2AB	1					[DV, L5], Left
	#5HF63 XDBAB	1					[DB], Left
	#5HF63 XT5AB	1					[T5], Left
2							SILL COVER, Interior
	5FX10 WL5AC	1					[L5], Right
	5FX10 XDVAC	1					[DB, DV], Right
	5FX10 XT5AC	1					[T5], Right
	5FX11 WL5AC	1					[L5], Left
	5FX11 XDVAC	1					[DB, DV], Left
	5FX11 XT5AC	1					[T5], Left
3							PROTECTOR, Door Opening, (NOT SERVICED)
4	55196 878AB	2					CLIP, Trim Panel
5							PANEL, Cowl
	5FA60 WL5AD	1					[L5], Right
	5FA60 XDVAD	1					[DB, DV], Right
	5FA60 XT5AD	1					[T5], Right
	5HM22 WL5AA	1					[L5], Left
	5HM22 XDVAA	1					[DB, DV], Left
	5HM22 XT5AA	1					[T5], Left
6	6503 339	2					NUT, Plastic
7	6032 723	6					SCREW, Self Tapping, M4.2x1.69x19.05
8							PANEL, B Pillar
	#5GY46 TL2AC	1					[DV, L5], Right
	#5GY46 XDBAC	1					[DB], Right
	#5GY46 XT5AC	1					[T5], Right
	#5GY47 TL2AC	1					[DV, L5], Left
	#5GY47 XDBAC	1					[DB], Left
	#5GY47 XT5AC	1					[T5], Left
9							COVER, B Pillar Trim Panel
	5FP8 6WL5	2					[L5]
	5FP8 6XDV	2					[DB, DV]
	5FP8 6XT5	2					[T5]
10							PANEL, B Pillar Lower Trim
	5FW54 WL5AB	1					[L5], Right
	5FW54 XDVAB	1					[DB, DV], Right
	5FW54 XT5AB	1					[T5], Right
	5FW55 WL5AB	1					[L5], Left
	5FW55 XDVAB	1					[DB, DV], Left

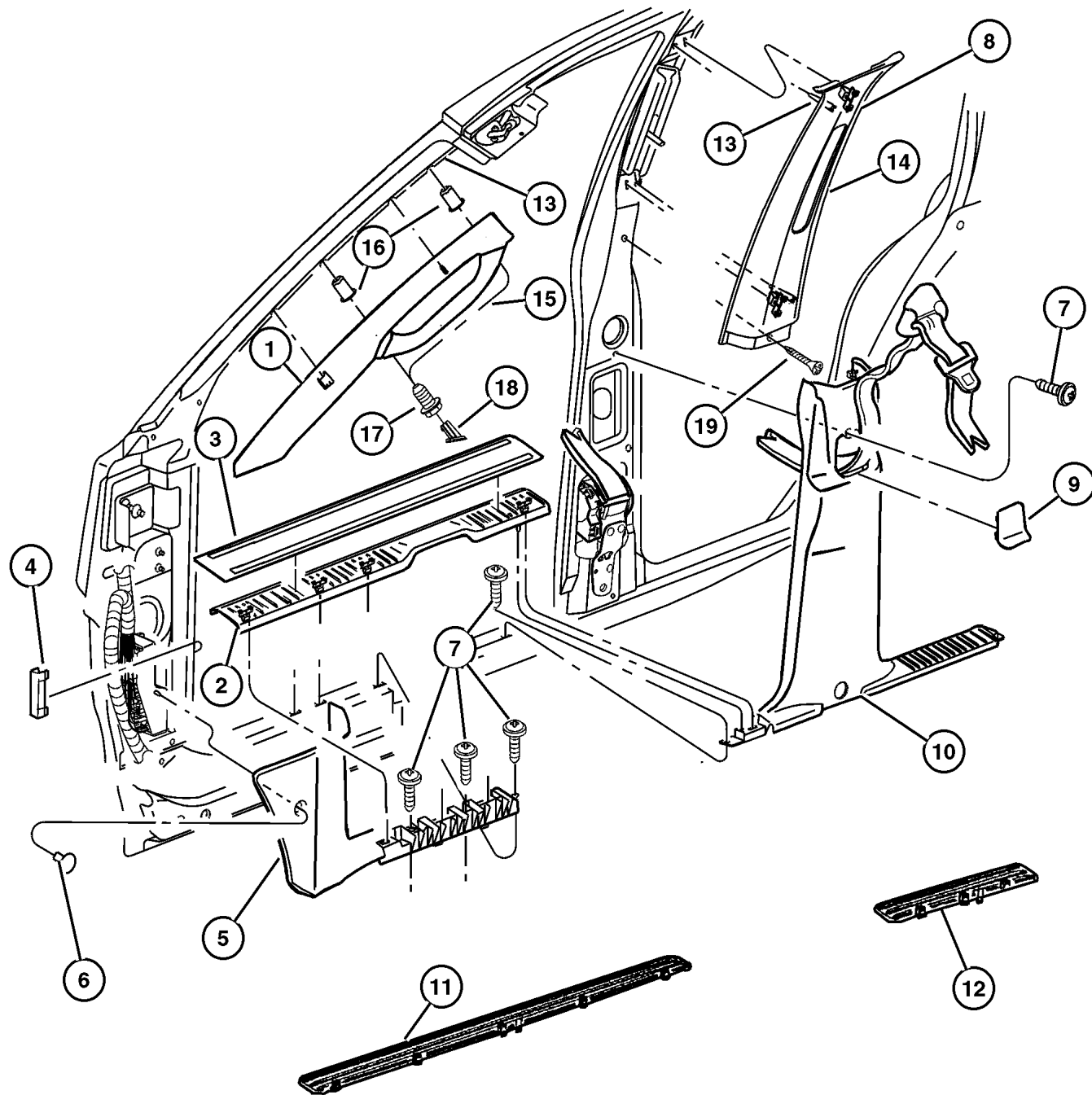
JEEP GRAND CHEROKEE (WJ)

SERIES	LINE	BODY	ENGINE	TRANSMISSION
H = Laredo	J = 4WD	74 = 4 Door	ERH = 4.0L, Power Tech I-6	DGK = 4 Speed Autm, 42RE
M = Sport	T = 2WD		EVA = 4.7L, Power Tech V8	DGQ = 5 Speed Automatic, 45RFE
P = Limited			EVC = 4.7L HO V8 MPI	DG0 = All Automatic Transm
S = Overland			ERO = All 4.0L 6 Cyl Gas	
			EVO = All 4.7I Gas	

AR = Use as required - = Non illustrated part # = New this model year

May 1, 2002

Front Trim Panels and Scuff Plates
Figure IWJ-210



ITEM	PART NUMBER	QTY	LINE	SERIES	BODY	TRIM	DESCRIPTION
	5FW55 XT5AB	1					[T5], Left
11	5GH22 DX9AA	2					PLATE, Front Door Scuff
12	5GH23 DX9AA	2					PLATE, Rear Door Scuff
13	6506 778AA	2					CLIP, Trim Panel
14							ADJUSTER, Seat Belt Turning Loop, Slider, Also serviced in B Trim Panel, Item #8
	#5HD92 TL2AB	1					[DV, L5]
	#5HD92 XDBAB	1					[DB]
	#5HD92 XT5AB	1					[T5]
15							HANDLE, Roof Grab
	#5HD63 TL2AB	1					[DV, L5]
	#5HD63 XDBAB	1					[DB]
	#5HD63 XT5AB	1					[T5]
16	6505 201AA	4					NUT
17	#6507 518AA	4					SCREW
18							PLUG, Assist and Grab Handle
	#5HK67 TL2AB	4					[DV, L5]
	#5HK67 XDBAB	4					[DB]
	#5HK67 XT5AB	4					[T5]
19	0154 806	2					SCREW, Round Head, .164-15x1.00

JEEP GRAND CHEROKEE (WJ)

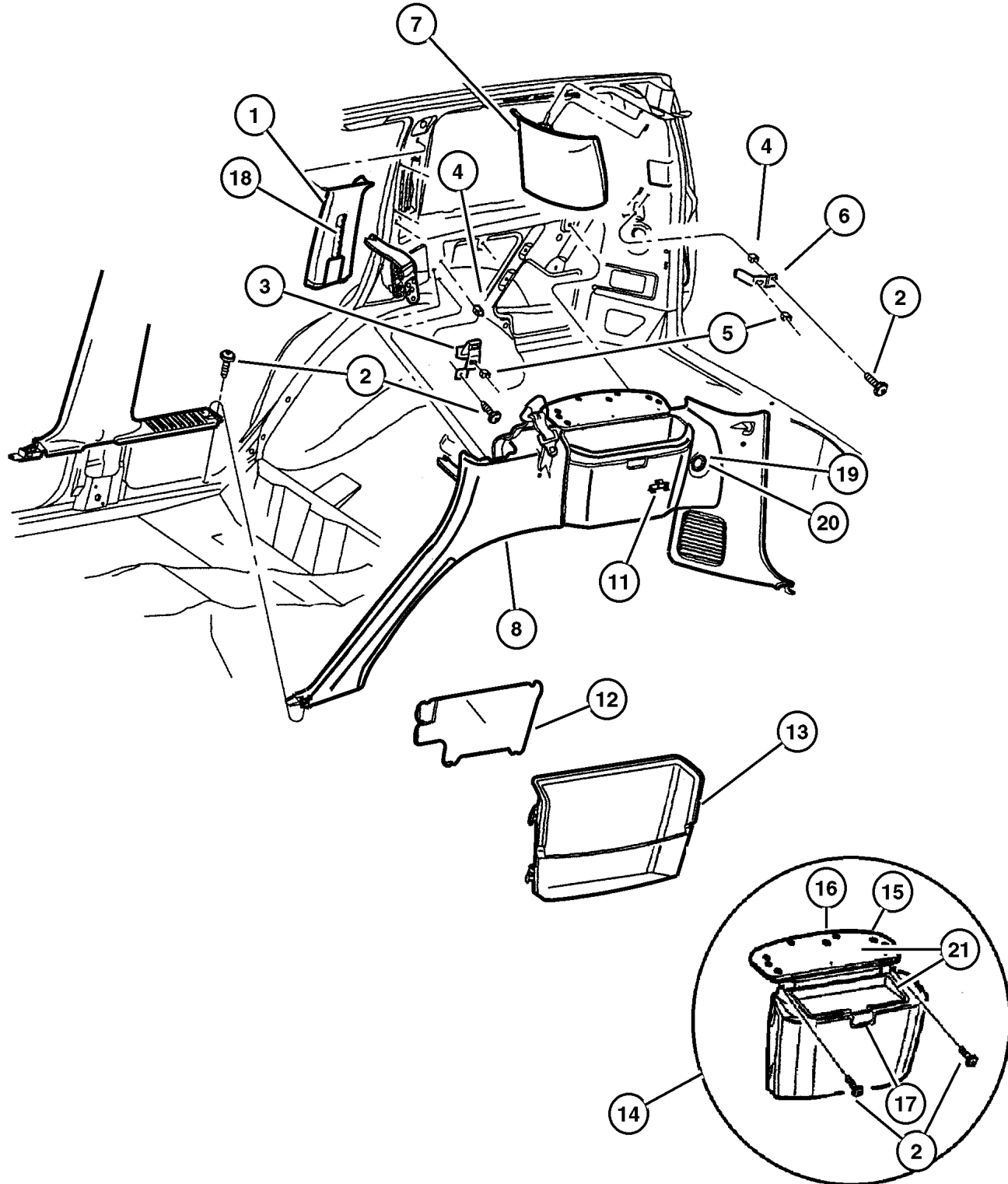
SERIES	LINE	BODY	ENGINE	TRANSMISSION
H = Laredo	J = 4WD	74 = 4 Door	ERH = 4.0L, Power Tech I-6	DGK = 4 Speed Autm, 42RE
M = Sport	T = 2WD		EVA = 4.7L, Power Tech V8	DGQ = 5 Speed Automatic, 45RFE
P = Limited			EVC = 4.7L HO V8 MPI	DG0 = All Automatic Transm
S = Overland			ERO = All 4.0L 6 Cyl Gas	
			EVO = All 4.7I Gas	

AR = Use as required - = Non illustrated part # = New this model year

May 1, 2002

Rear Trim Panels Figure IWJ-220

ITEM	PART NUMBER	QTY	LINE	SERIES	BODY	TRIM	DESCRIPTION
1							PANEL, C Pillar
	#5GY48 TL2AA	1					[DV, L5], Right
	#5GY48 XDBAA	1					[DB], Right
	#5GY48 XT5AA	1					[T5], Right
	#5GY49 TL2AA	1					[DV, L5], Left
	#5GY49 XDBAA	1					[DB], Left
	#5GY49 XT5AA	1					[T5], Left
2	6032 723	6					SCREW, Self Tapping, M4.2x1.69x19.05
3	55196 742AB	2					BRACKET, Quarter Trim, Front
4	6035 498	2					NUT, Spring Type, .164-7.5
5	6035 773	2					NUT
6	55196 744AB	2					BRACKET, Quarter Trim, Rear
7							PANEL, D Pillar Trim
	5FA72 WL5AB	1					[L5], Right
	5FA72 XDVAB	1					[DB, DV], Right
	5FA72 XT5AB	1					[T5], Right
	5FA73 WL5AB	1					[L5], Left
	5FA73 XDVAB	1					[DB, DV], Left
	5FA73 XT5AB	1					[T5], Left
8							PANEL, Quarter Trim
	#5HD13 1DVAB	1					[DB, DV], With Velcro Washer, Left
	#5HD13 WL5AB	1					[L5], With Velcro Washer, Left
	#5HD13 XT5AB	1					[T5], With Velcro Washer, Left
	#5HD14 1DVAB	1					[DB, DV], With Velcro Washer, Right
	#5HD14 1L5AB	1					[L5], With Velcro Washer, Right
	#5HD14 1T5AB	1					[T5], With Velcro Washer, Right
	#5HD13 1DVAE	1					[DB, DV], Without Velcro Washer, Left
	#5HD13 WL5AE	1					[L5], Without Velcro Washer, Left
	#5HD13 XT5AE	1					[T5], Without Velcro Washer, Left
	#5HD14 1DVAE	1					[DB, DV], Without Velcro Washer, Right
	#5HD14 1L5AE	1					[L5], Without Velcro Washer, Right
	#5HD14 1T5AE	1					[T5], Without Velcro Washer, Right
-9	6505 675AA	1					CLIP, Molding
-10	6036 148AA	1					RIVET, Blind, Three Leg
11	55196 901AB	4					LOOP, Cargo Tie Down
12							COVER, Bolt
	5FY38 WL5AA	1					[L5]
	5FY38 XDVA	1					[DB, DV]
	5FY38 XT5AA	1					[T5]
13							BIN, Storage, Cover
	5FS1 4WL5	1					[L5]
	5FS1 4XDV	1					[DB, DV]



JEEP GRAND CHEROKEE (WJ)

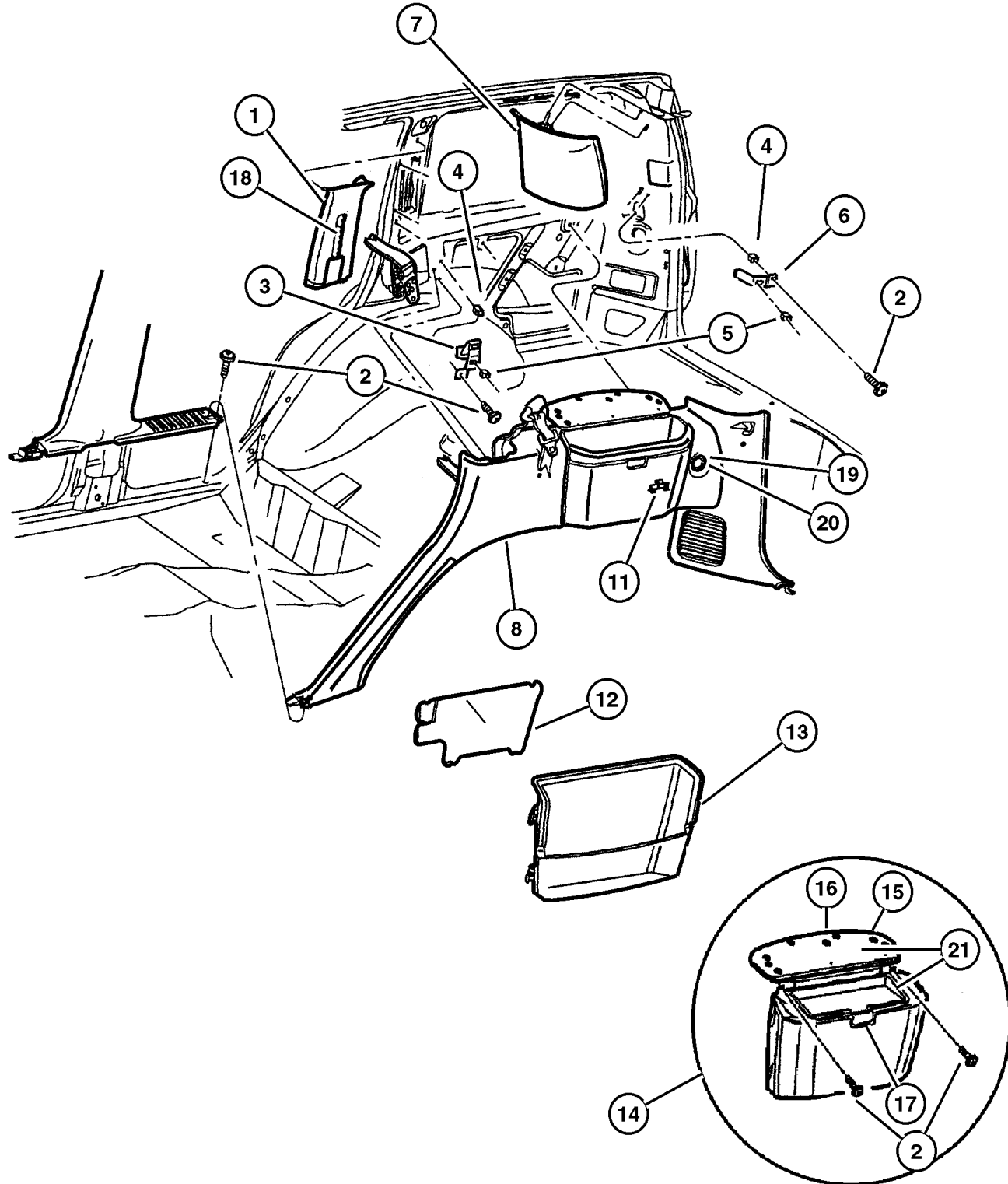
SERIES	LINE	BODY	ENGINE	TRANSMISSION
H = Laredo	J = 4WD	74 = 4 Door	ERH = 4.0L, Power Tech I-6	DGK = 4 Speed Autm, 42RE
M = Sport	T = 2WD		EVA = 4.7L, Power Tech V8	DGQ = 5 Speed Automatic, 45RFE
P = Limited			EVC = 4.7L HO V8 MPI	DG0 = All Automatic Transm
S = Overland			ERO = All 4.0L 6 Cyl Gas	
			EVO = All 4.7L Gas	

AR = Use as required - = Non illustrated part # = New this model year

May 1, 2002

Rear Trim Panels
Figure IWJ-220

ITEM	PART NUMBER	QTY	LINE	SERIES	BODY	TRIM	DESCRIPTION
	5FS1 4XT5	1				[T5]	
14	5FW37 1DVAD	1				[DB, DV]	BIN, Storage, Quarter Panel
	5FW37 1L5AD	1				[L5]	
	5FW37 1T5AD	1				[T5]	
15	4754 478	4					BUMPER, Armrest Lid
16	5FS2 0WL5	1				[L5]	DOOR
	5FS2 0XDV	1				[DB, DV]	
	5FS2 0XT5	1				[T5]	
17	5519 6620	1					LATCH, Storage Bin Lid
18							ADJUSTER, Seat Belt Turning Loop, Sider, Also sevised in Item #1
	#5HD92 TL2AB	1				[DV, L5]	
	#5HD92 XDBAB	1				[DB]	
	#5HD92 XT5AB	1				[T5]	
19	4685 591	1					CAP, Cigar Lighter, Power Outlet, Rear
20	HX32 DX9AB	1					PLUG, 12 V-Outlet
21	5FS21 DX9AC	1					LID, Storage Bin



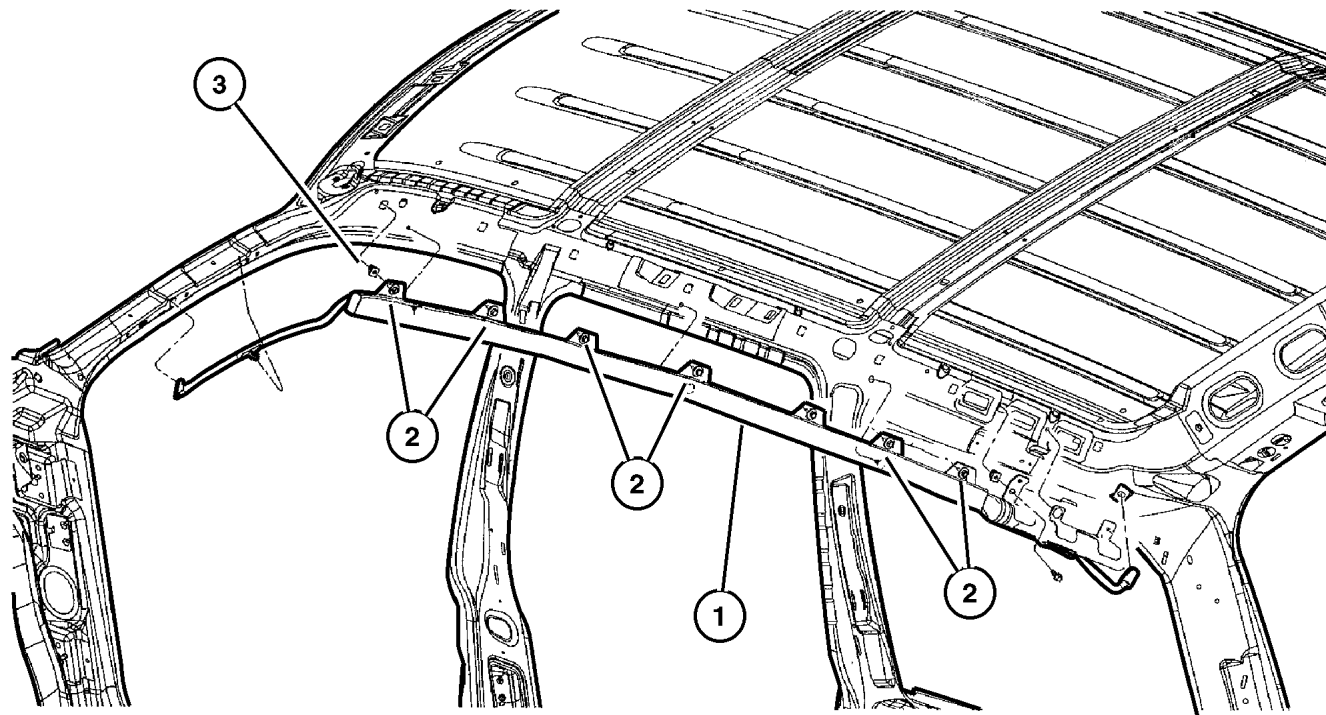
JEEP GRAND CHEROKEE (WJ)				
SERIES	LINE	BODY	ENGINE	TRANSMISSION
H = Laredo	J = 4WD	74 = 4 Door	ERH = 4.0L, Power Tech I-6	DGK = 4 Speed Autm, 42RE
M = Sport	T = 2WD		EVA = 4.7L, Power Tech V8	DGQ = 5 Speed Automatic, 45RFE
P = Limited			EVC = 4.7L HO V8 MPI	DG0 = All Automatic Transm
S = Overland			ERO = All 4.0L 6 Cyl Gas	
			EVO = All 4.7I Gas	

AR = Use as required - = Non illustrated part # = New this model year

May 1, 2002

**Side Air Bag Curtain
Figure IWJ-230**

ITEM	PART NUMBER	QTY	LINE	SERIES	BODY	TRIM	DESCRIPTION
1							AIR BAG, Side Curtain
	#55116 436AB	1					Right
	#55116 437AB	1					Left
2							SCREW AND WASHER, M6x1.00x18.50, (NOT SERVICED)
3							NUT, 22.0 Wide x 14.7 x 10.2 Height, (NOT SERVICED)

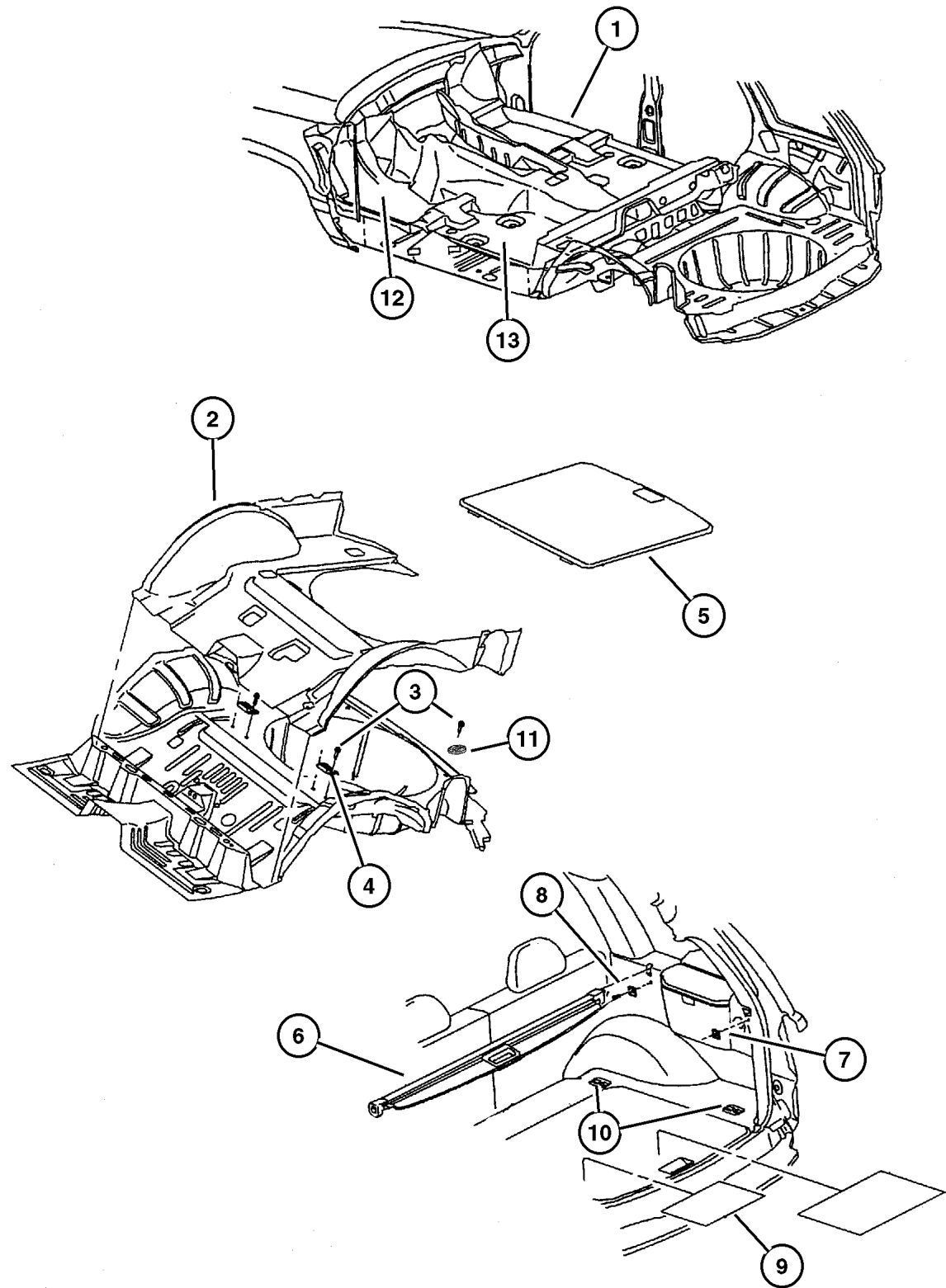


JEEP GRAND CHEROKEE (WJ)				
SERIES	LINE	BODY	ENGINE	TRANSMISSION
H = Laredo	J = 4WD	74 = 4 Door	ERH = 4.0L, Power Tech I-6	DGK = 4 Speed Autm, 42RE
M = Sport	T = 2WD		EVA = 4.7L, Power Tech V8	DGQ = 5 Speed Automatic, 45RFE
P = Limited			EVC = 4.7L HO V8 MPI	DG0 = All Automatic Transm
S = Overland			ERO = All 4.0L 6 Cyl Gas	
			EVO = All 4.7I Gas	

AR = Use as required - = Non illustrated part # = New this model year

May 1, 2002

Carpet and Insulation
Figure IWJ-310



ITEM	PART NUMBER	QTY	LINE	SERIES	BODY	TRIM	DESCRIPTION
1							CARPET, Front Floor
	#5FA14 WL8AE	1					[L5]
	#5FA14 XDVAE	1					[DB, DV]
	#5FA14 XTMAE	1					[T5]
2							CARPET, Cargo Floor
	#5FS70 WL8AE	1					[L5]
	#5FS70 XDVAE	1					[DB, DV]
	#5FS70 XTMAE	1					[T5]
3	6035 122	8					RIVET, .187x.70 Black
4	55196 748AA	2					BRACKET, Spare Tire
5							COVER, Spare Tire
	5HB54 1DVAB	1					[DB, DV]
	5HB54 1L8AB	1					[L5]
	5HB54 1TMAB	1					[T5]
6							COVER, Cargo Compartment
	5FS27 1DVAB	1					[DB, DV]
	5FS27 1L5AB	1					[L5]
	5FS27 1T5AB	1					[T5]
7	55196 901AB	4					LOOP, Cargo Tie Down
8							SCREW, [.164-18x1.625], (NOT SERVICED)
9	55196 839AB	1					NET, Cargo
10	5015 592AA	1					LOOP, Cargo Tie Down
11	55196 832AB	2					RETAINER, Dual Lock
12							MAT KIT, Floor - Front
	8220 6491	1			74		[T5]
	#8220 7427	1					[DV]
13							MAT KIT, Floor - Rear
	8220 6492	1			74		[T5]
	#8220 7428	1					[DV]
-14	#5GJ93 XDVA	1		S			MAT KIT, Floor, Overland, Front and Rear
-15	55196 834AA	1					CLIP, Carpet

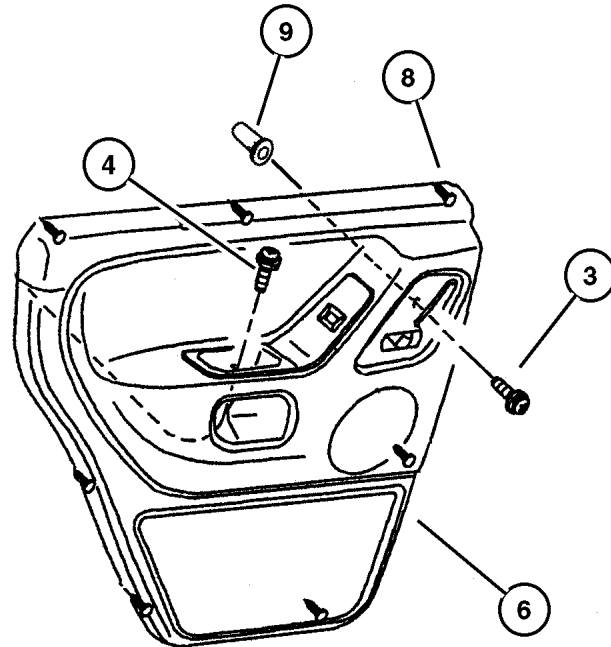
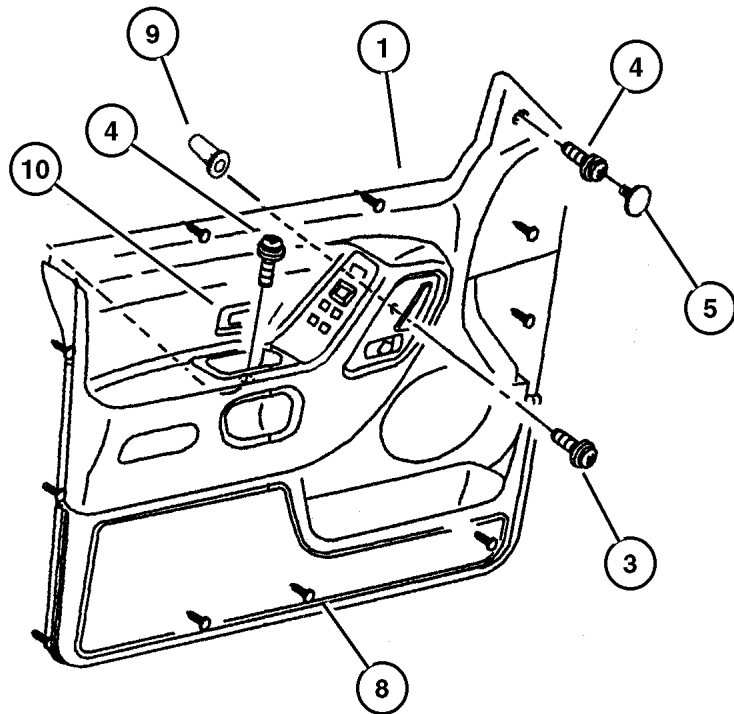
JEEP GRAND CHEROKEE (WJ)

SERIES	LINE	BODY	ENGINE	TRANSMISSION
H = Laredo	J = 4WD	74 = 4 Door	ERH = 4.0L, Power Tech I-6	DGK = 4 Speed Autm, 42RE
M = Sport	T = 2WD		EVA = 4.7L, Power Tech V8	DGQ = 5 Speed Automatic, 45RFE
P = Limited			EVC = 4.7L HO V8 MPI	DG0 = All Automatic Transm
S = Overland			ERO = All 4.0L 6 Cyl Gas	
			EVO = All 4.7l Gas	

AR = Use as required - = Non illustrated part # = New this model year

May 1, 2002

Door Trim Panels
Figure IWJ-410



ITEM	PART NUMBER	QTY	LINE	SERIES	BODY	TRIM	DESCRIPTION
Notes: Pad printing is the picture of the window or door lock. ake Shoe Return Spring Lower.							
Please note the up to and after dates may not be precise, view door trim panels closely before ordering. ake Shoe Return Spring Lower.							
1							PANEL, Front Door Trim, See Note
	#WY92 1T5AA	1		P			[T5], Without Infinity Badge, With Vinyl Upper Bolster, Up to 10/6/01, Right
	#WY92 1L5AA	1		P			[L5], Without Infinity Badge, With Vinyl Upper Bolster, Up to 10/6/01, Right
	#WY92 1DVAA	1		P			[DV], Without Infinity Badge, With Vinyl Upper Bolster, Up to 10/6/01, Right
	#XE88 1T5AA	1		P			[T5], Without Infinity Badge, With Hard Plastic Upper Bolster, After 10/6/01, Right
	#XE88 1L5AA	1		P			[L5], Without Infinity Badge, With Hard Plastic Upper Bolster, After 10/6/01, Right
	#XE88 1DVAA	1		P			[DV], Without Infinity Badge, With Hard Plastic Upper Bolster, After 10/6/01, Right
	#WY93 1T5AA	1		P			[T5], Without Infinity Badge, With Vinyl Upper Bolster, Up to 10/6/01, Left
	#WY93 1L5AA	1		P			[L5], Without Infinity Badge, With Vinyl Upper Bolster, Up to 10/6/01, Left
	#WY93 1DVAA	1		P			[DV], Without Infinity Badge, With Vinyl Upper Bolster, Up to 10/6/01, Left
	#XE89 1T5AA	1		P			[T5], Without Infinity Badge, With Hard Plastic Upper Bolster, After 10/6/01, Left
	#XE89 1L5AA	1		P			[L5], Without Infinity Badge, With Hard Plastic Upper Bolster, After 10/6/01, Left
	#XE89 1DVAA	1		P			[DV], Without Infinity Badge, With Hard Plastic Upper Bolster, After 10/6/01, Left
	#WY62 1DVAA	1		H			[DV], Without Carpet, With Pad Printing, Up to 10/6/01, Right
	#WY62 1L5AA	1		H			[L5], Without Carpet, With Pad Printing, Up to 10/6/01, Right
	#WY62 1T5AA	1		H			[T5], Without Carpet, With Pad Printing, Up to 10/6/01, Right
	#XE84 1T5AA	1		H			[T5], Without Carpet, Without Pad Printing, After 10/6/01, Right
	#XE84 1L5AA	1		H			[L5], Without Carpet, Without Pad Printing, After 10/6/01, Right
	#XE84 1DVAA	1		H			[DV], Without Carpet, Without Pad Printing, After 10/6/01, Right
	#WY63 1DVAA	1		H			[DV], Without Carpet, Left

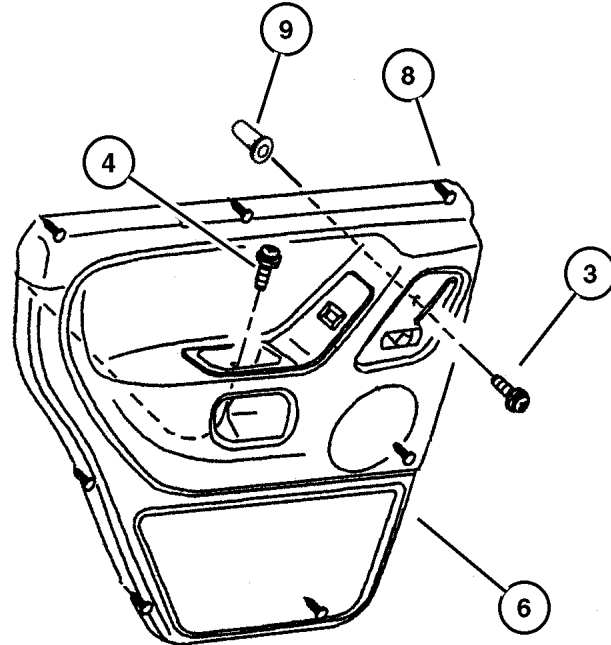
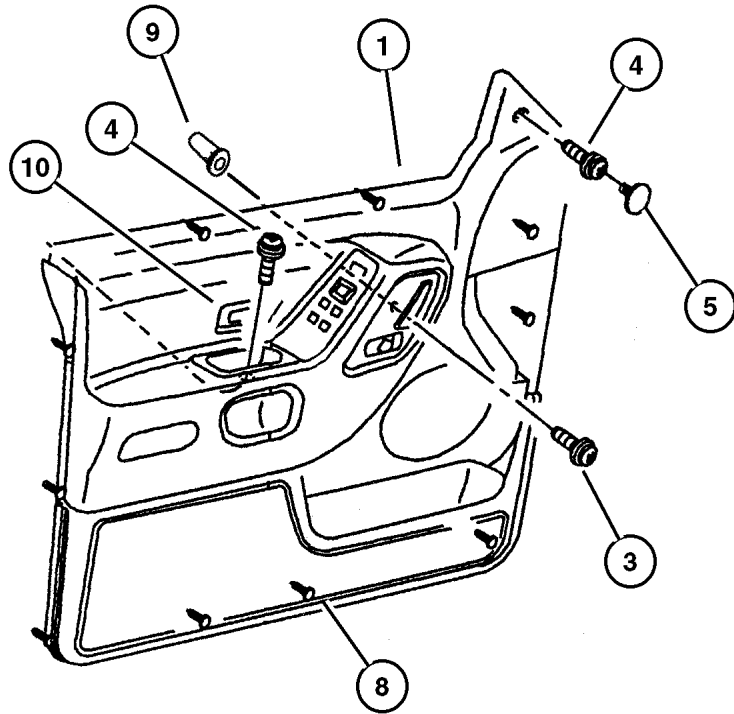
JEEP GRAND CHEROKEE (WJ)			
SERIES	LINE	BODY	ENGINE
H = Laredo	J = 4WD	74 = 4 Door	ERH = 4.0L, Power Tech I-6
M = Sport	T = 2WD		EVA = 4.7L, Power Tech V8
P = Limited			EVC = 4.7L HO V8 MPI
S = Overland			ERO = All 4.0L 6 Cyl Gas
			EVO = All 4.7L Gas

TRANSMISSION
DGK = 4 Speed Autm, 42RE
DGQ = 5 Speed Automatic, 45RFE
DG0 = All Automatic Transm

AR = Use as required - = Non illustrated part # = New this model year

May 1, 2002

Door Trim Panels
Figure IWJ-410



ITEM	PART NUMBER	QTY	LINE	SERIES	BODY	TRIM	DESCRIPTION
	#WY63 1T5AA	1		H			[T5], Without Carpet, Left
	#WY63 1L5AA	1		H			[L5], Without Carpet, Left
	#WY62 1L5AA	1		M			[L5], With Pad Printing, Up to 10/6/01, Right
	#WY62 1DVAA	1		M			[DV], With Pad Printing, Up to 10/6/01, Right
	#WY62 1T5AA	1		M			[T5], With Pad Printing, Up to 10/6/01, Right
	#XE84 1T5AA	1		M			[T5], Without Pad Printing, After 10/6/01, Right
	#XE84 1L5AA	1		M			[L5], Without Pad Printing, After 10/6/01, Right
	#XE84 1DVAA	1		M			[DV], Without Pad Printing, After 10/6/01, Right
	#WY63 1T5AA	1		M			[T5], Without Carpet, Left
	#WY63 1DVAA	1		M			[DV], Without Carpet, Left
	#WY63 1L5AA	1		M			[L5], Without Carpet, Left
	#WD88 1DBAA	1		S			[DB], Woodgrain Not Included, With Vinyl Upper Bolster, Up to 10/6/01, Right
	#WD89 1DBAA	1		S			[DB], Woodgrain Not Included, With Vinyl Upper Bolster, Up to 10/6/01, Left
	#XE78 1DBAA	1		S			[DB], Woodgrain Not Included, With Hard Plastic Upper Bolster, After 10/6/01, Right
	#XE79 1DBAA	1		S			[DB], Woodgrain Not Included, With Hard Plastic Upper Bolster, After 10/6/01, Left
-2							MOLDING, Front Door, Woodgrain Left
	#5GY85 AAAAA	1		S			Right
	#5GY86 AAAAA	1		S			Right
3	6505 156AA	2					SCREW, M5X0.8X16.00~~
4	6032 723	6					SCREW, Self Tapping, M4.2x1.69x19.05
5							PLUG, Door Trim Panel
	5FC1 1WL8	2					[L5]
	5FC1 1XDV	2					[DB, DV]
	5FC1 1XTM	2					[T5]
6							PANEL, Rear Door Trim, See Note
	#WY91 1DVAA	1		H			[DV], Without Carpet, With Pad Printing, Up to 10/6/01, Left
	#WY91 1L5AA	1		H			[L5], Without Carpet, With Pad Printing, Up to 10/6/01, Left
	#WY91 1T5AA	1		H			[T5], Without Carpet, With Pad Printing, Up to 10/6/01, Left
	#XF17 1T5AA	1		H			[T5], Without Carpet, Without Pad Printing, After 10/6/01, Left
	#XF17 1DVAA	1		H			[DV], Without Carpet, Without Pad Printing, After 10/6/01, Left
	#XF17 1L5AA	1		H			[L5], Without Carpet, Without Pad Printing, After 10/6/01, Left

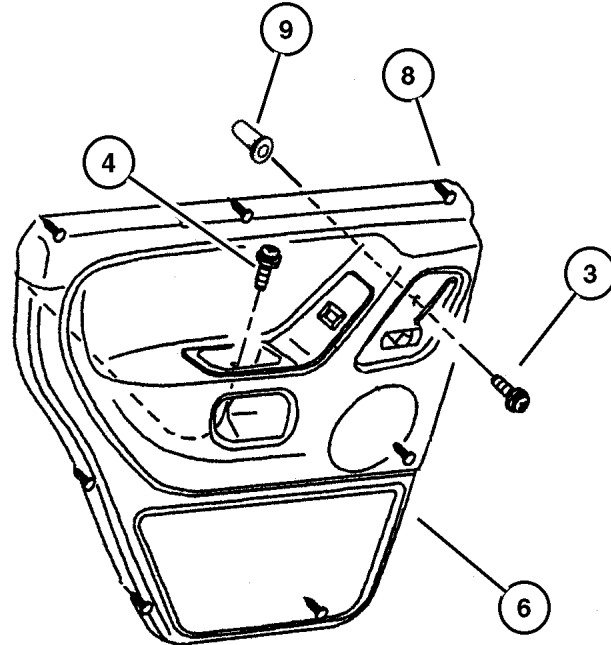
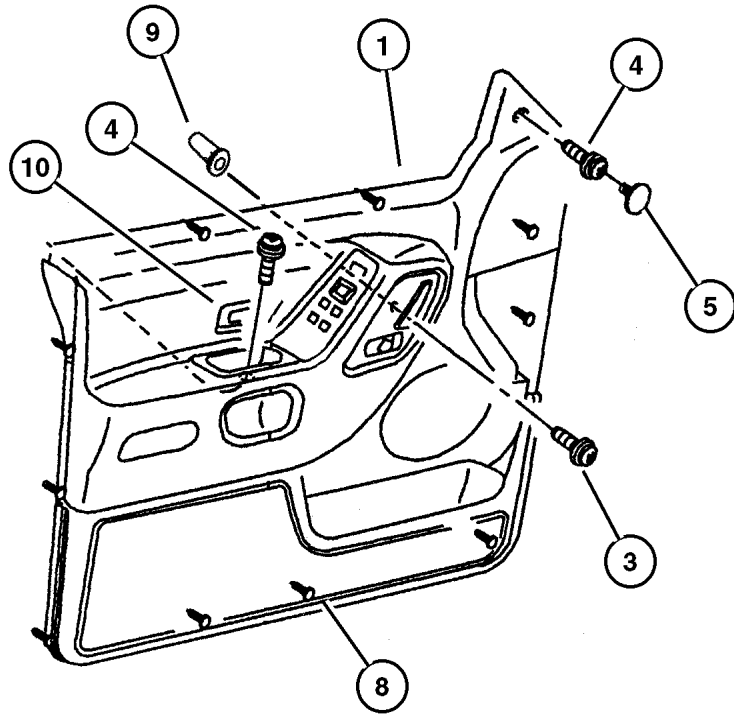
JEEP GRAND CHEROKEE (WJ)

SERIES	LINE	BODY	ENGINE	TRANSMISSION
H = Laredo	J = 4WD	74 = 4 Door	ERH = 4.0L, Power Tech I-6	DGK = 4 Speed Autm, 42RE
M = Sport	T = 2WD		EVA = 4.7L, Power Tech V8	DGQ = 5 Speed Automatic, 45RFE
P = Limited			EVC = 4.7L HO V8 MPI	DG0 = All Automatic Transm
S = Overland			ERO = All 4.0L 6 Cyl Gas	
			EVO = All 4.7L Gas	

AR = Use as required - = Non illustrated part # = New this model year

May 1, 2002

Door Trim Panels
Figure IWJ-410



ITEM	PART NUMBER	QTY	LINE	SERIES	BODY	TRIM	DESCRIPTION
	#WY90 1DVAA	1		H			[DV], Without Carpet, With Pad Printing, Up to 10/6/01, Right
	#WY90 1L5AA	1		H			[L5], Without Carpet, With Pad Printing, Up to 10/6/01, Right
	#WY90 1T5AA	1		H			[T5], Without Carpet, With Pad Printing, Up to 10/6/01, Right
	#XF16 1T5AA	1		H			[T5], Without Carpet, Without Pad Printing, After 10/6/01, Right
	#XF16 1DVAA	1		H			[DV], Without Carpet, Without Pad Printing, After 10/6/01, Right
	#XF16 1L5AA	1		H			[L5], Without Carpet, Without Pad Printing, After 10/6/01, Right
	#XF17 1T5AA	1		M			[T5], Without Pad Printing, After 10/6/01, Left
	#XF17 1L5AA	1		M			[L5], Without Pad Printing, After 10/6/01, Left
	#XF16 1T5AA	1		M			[T5], Without Pad Printing, After 10/6/01, Right
	#XF16 1DVAA	1		M			[DV], Without Pad Printing, After 10/6/01, Right
	#XF16 1L5AA	1		M			[L5], Without Pad Printing, After 10/6/01, Right
	#WY90 1L5AA	1		M			[L5], With Pad Printing, Up to 10/6/01, Right
	#WY90 1T5AA	1		M			[T5], With Pad Printing, Up to 10/6/01, Right
	#WY90 1DVAA	1		M			[DV], With Pad Printing, Up to 10/6/01, Right
	#WY91 1DVAA	1		M			[DV], With Pad Printing, Up to 10/6/01, Left
	#WY91 1T5AA	1		M			[T5], With Pad Printing, Up to 10/6/01, Left
	#WY91 1L5AA	1		M			[L5], With Pad Printing, Up to 10/6/01, Left
	#XF17 1DVAA	1		M			[DV], Without Pad Printing, After 10/6/01, Left
	UD67 1DVAA	1		P			[DV], With Vinyl Upper Bolster, Up to 10/6/01, Left
	UD67 1L5AA	1		P			[L5], With Vinyl Upper Bolster, Up to 10/6/01, Left
	UD67 1T5AA	1		P			[T5], With Vinyl Upper Bolster, Up to 10/6/01, Left
	UD66 1T5AA	1		P			[T5], With Vinyl Upper Bolster, Up to 10/6/01, Right
	UD66 1L5AA	1		P			[L5], With Vinyl Upper Bolster, Up to 10/6/01, Right
	UD66 1DVAA	1		P			[DV], With Vinyl Upper Bolster, Up to 10/6/01, Right
	#XE90 1DVAA	1		P			[DV], With Hard Plastic Upper Bolster, After 10/6/01, Right
	#XE90 1L5AA	1		P			[L5], With Hard Plastic Upper Bolster, After 10/6/01, Right
	#XE91 1T5AA	1		P			[T5], With Hard Plastic Upper Bolster, After 10/6/01, Left
	#XE91 1L5AA	1		P			[L5], With Hard Plastic Upper Bolster, After 10/6/01, Left

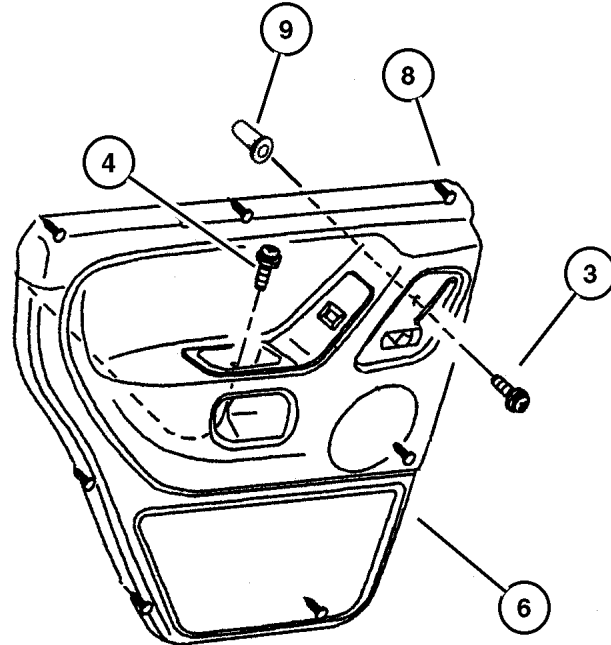
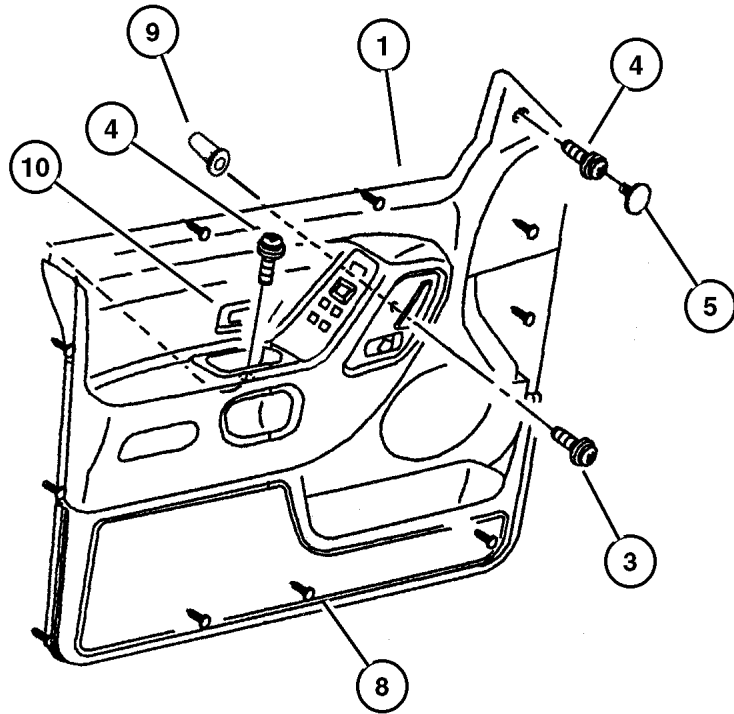
JEEP GRAND CHEROKEE (WJ)

SERIES	LINE	BODY	ENGINE	TRANSMISSION
H = Laredo	J = 4WD	74 = 4 Door	ERH = 4.0L, Power Tech I-6	DGK = 4 Speed Autm, 42RE
M = Sport	T = 2WD		EVA = 4.7L, Power Tech V8	DGQ = 5 Speed Automatic, 45RFE
P = Limited			EVC = 4.7L HO V8 MPI	DG0 = All Automatic Transm
S = Overland			ERO = All 4.0L 6 Cyl Gas	
			EVO = All 4.7I Gas	

AR = Use as required - = Non illustrated part # = New this model year

May 1, 2002

Door Trim Panels
Figure IWJ-410



ITEM	PART NUMBER	QTY	LINE	SERIES	BODY	TRIM	DESCRIPTION
	#XE91 1DVAA	1		P			[DV], With Hard Plastic Upper Bolster, After 10/6/01, Left
	#XE90 1T5AA	1		P			[T5], With Hard Plastic Upper Bolster, After 10/6/01, Right
	#WR18 1DBAA	1		S			[DB], Woodgrain Not Included, With Vinyl Upper Bolster, Up to 10/6/01, Right
	#XE77 1DBAA	1		S			[DB], Woodgrain Not Included, With Hard Plastic Upper Bolster, After 10/6/01, Left
	#XE76 1DBAA	1		S			[DB], Woodgrain Not Included, With Hard Plastic Upper Bolster, After 10/6/01, Right
	#WR19 1DBAA	1		S			[DB], Woodgrain Not Included, With Vinyl Upper Bolster, Up to 10/6/01, Left
-7							MOLDING, Rear Door, Woodgrain
	#5GY87 AAAAA	1		S			Left
	#5GY88 AAAAA	1		S			Right
8							FASTENER, Door Trim Panel
	#6507 055AA	11		P			Front,Door
		11		H			Front,Door
		11		S			Front,Door
		9		H			Rear,Door
		9		P			Rear,Door
		9		S			Rear,Door
9	6505 201AA	2					NUT
10							BEZEL, Switch, Memory Seats
	UH63 1DVAA	1		P			[DV]
	UH63 1L5AA	1		P			[L5]
	UH63 1T5AA	1		P			[T5]

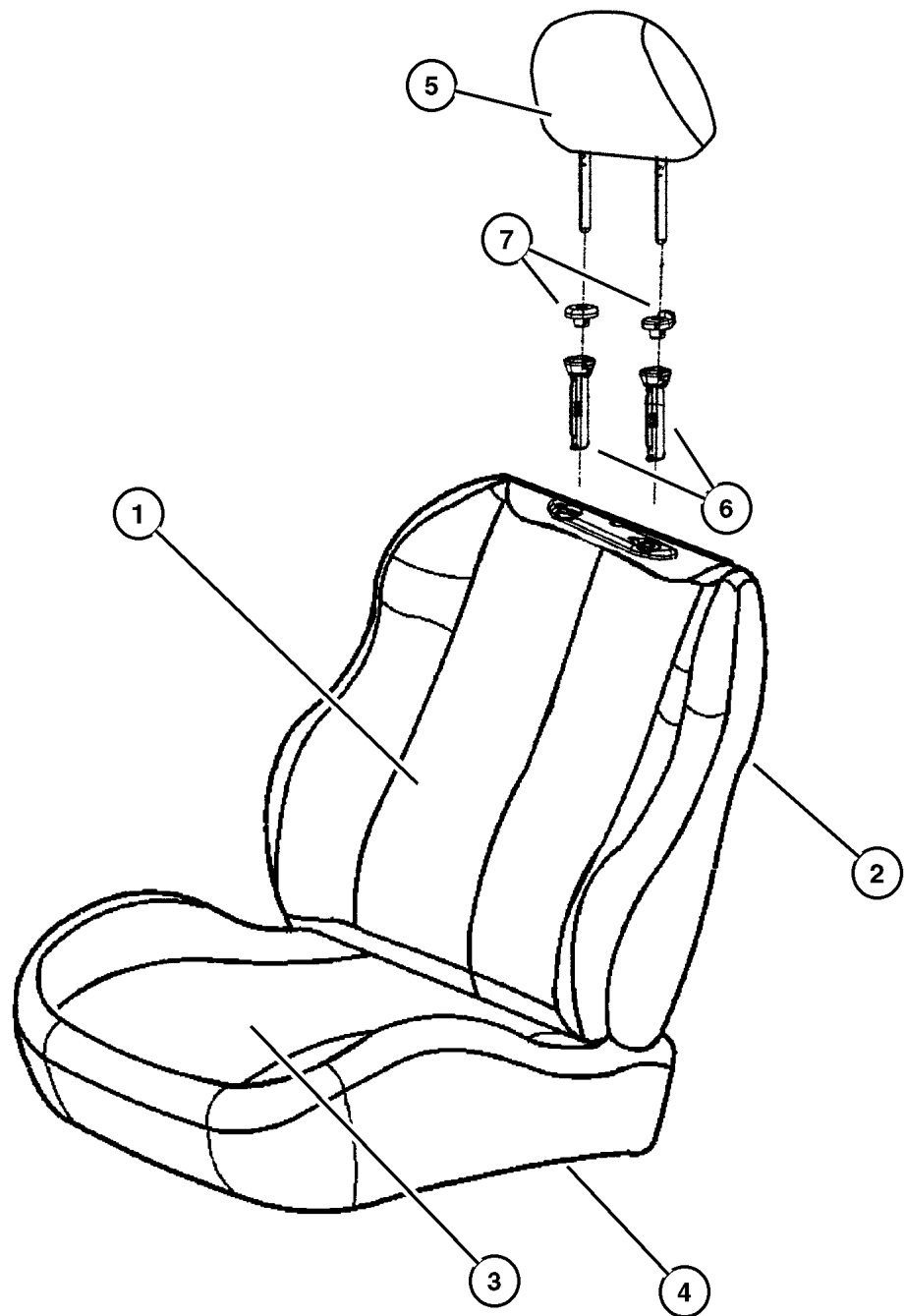
JEEP GRAND CHEROKEE (WJ)

SERIES	LINE	BODY	ENGINE	TRANSMISSION
H = Laredo	J = 4WD	74 = 4 Door	ERH = 4.0L, Power Tech I-6	DGK = 4 Speed Autm, 42RE
M = Sport	T = 2WD		EVA = 4.7L, Power Tech V8	DGQ = 5 Speed Automatic, 45RFE
P = Limited			EVC = 4.7L HO V8 MPI	DG0 = All Automatic Transm
S = Overland			ERO = All 4.0L 6 Cyl Gas	
			EVO = All 4.7I Gas	

AR = Use as required - = Non illustrated part # = New this model year

May 1, 2002

Front Seat, Cloth, Trim Code [E7]
Figure IWJ-510



ITEM	PART NUMBER	QTY	LINE	SERIES	BODY	TRIM	DESCRIPTION
1							COVER, Front Seat Back
	#WK26 1DVAA	2				E7	[DV], Up to 12/12/01
	#WK26 1L5AA	2				E7	[L5], Up to 1/3/02
	#WK26 1T5AA	2				E7	[T5], Up to 1/17/02
	#XQ24 1DVAA	2				E7	[DV], After 12/12/01
	#XQ24 1L5AA	2				E7	[L5], After 1/3/02
	#XQ24 1T5AA	2				E7	[T5], After 1/17/02
2							BACK, Front Seat
	#WK24 1DVAA	1				E7	[DV], Up to 12/12/01, Right
	#WK24 1L5AA	1				E7	[L5], Up to 1/3/02, Right
	#WK24 1T5AA	1				E7	[T5], Up to 1/17/02, Right
	#WK25 1DVAA	1				E7	[DV], Up to 12/12/01, Left
	#WK25 1L5AA	1				E7	[L5], Up to 1/3/02, Left
	#WK25 1T5AA	1				E7	[T5], Up to 1/17/02, Left
	#XQ22 1DVAA	1				E7	[DV], After 12/12/01, Right
	#XQ22 1L5AA	1				E7	[L5], After 1/3/02, Right
	#XQ22 1T5AA	1				E7	[T5], After 1/17/02, Right
	#XQ23 1DVAA	1				E7	[DV], After 12/12/01, Left
	#XQ23 1L5AA	1				E7	[L5], After 1/3/02, Left
	#XQ23 1T5AA	1				E7	[T5], After 1/17/02, Left
3							COVER AND PAD, Cushion
	#WK14 1DVAA	1				E7	[DV], Right
	#WK14 1L5AA	1				E7	[L5], Right
	#WK14 1T5AA	1				E7	[T5], Right
	#WK15 1DVAA	1				E7	[DV], Left
	#WK15 1L5AA	1				E7	[L5], Left
	#WK15 1T5AA	1				E7	[T5], Left
4							FRAME, Front Seat
	4856 471	1				E7	Left
	4856 470	1				E7	Right
5							HEADREST, Front
	#WK06 1T5AA	2				E7	[T5]
	#WK06 1L5AA	2				E7	[L5]
	#WK06 1DVAA	2				E7	[DV]
6	5013 152AA	2				E7	CYLINDER, Headrest
7							COVER, Headrest Sleeve
	UK05 1T5AA	1				E7	[T5], Without Button
	UK05 1L5AA	1				E7	[L5], Without Button
	UK05 1DVAA	1				E7	[DV], Without Button
	UK04 1DVAA	1				E7	[DV], With Button
	UK04 1T5AA	1				E7	[T5], With Button

JEEP GRAND CHEROKEE (WJ)

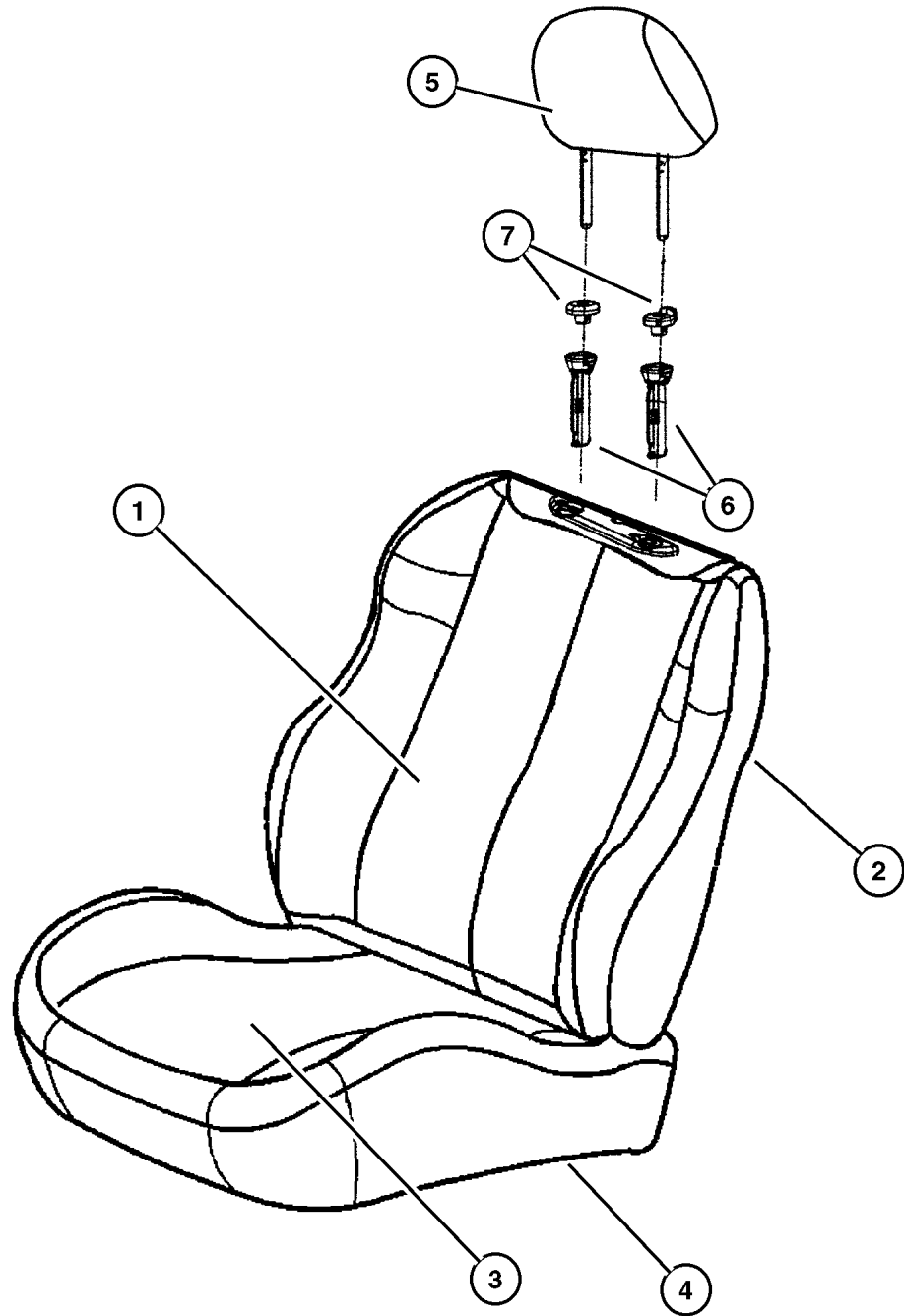
SERIES	LINE	BODY	ENGINE	TRANSMISSION
H = Laredo	J = 4WD	74 = 4 Door	ERH = 4.0L, Power Tech I-6	DGK = 4 Speed Autm, 42RE
M = Sport	T = 2WD		EVA = 4.7L, Power Tech V8	DGQ = 5 Speed Automatic, 45RFE
P = Limited			EVC = 4.7L HO V8 MPI	DG0 = All Automatic Transm
S = Overland			ERO = All 4.0L 6 Cyl Gas	
			EVO = All 4.7L Gas	

AR = Use as required - = Non illustrated part # = New this model year

May 1, 2002

Front Seat, Cloth, Trim Code [E7]
Figure IWJ-510

ITEM	PART NUMBER	QTY	LINE	SERIES	BODY	TRIM	DESCRIPTION
	UK04 1L5AA	1				E7	[L5], With Button
-8	5018 505AA	1					EXTENDER, Seat Belt

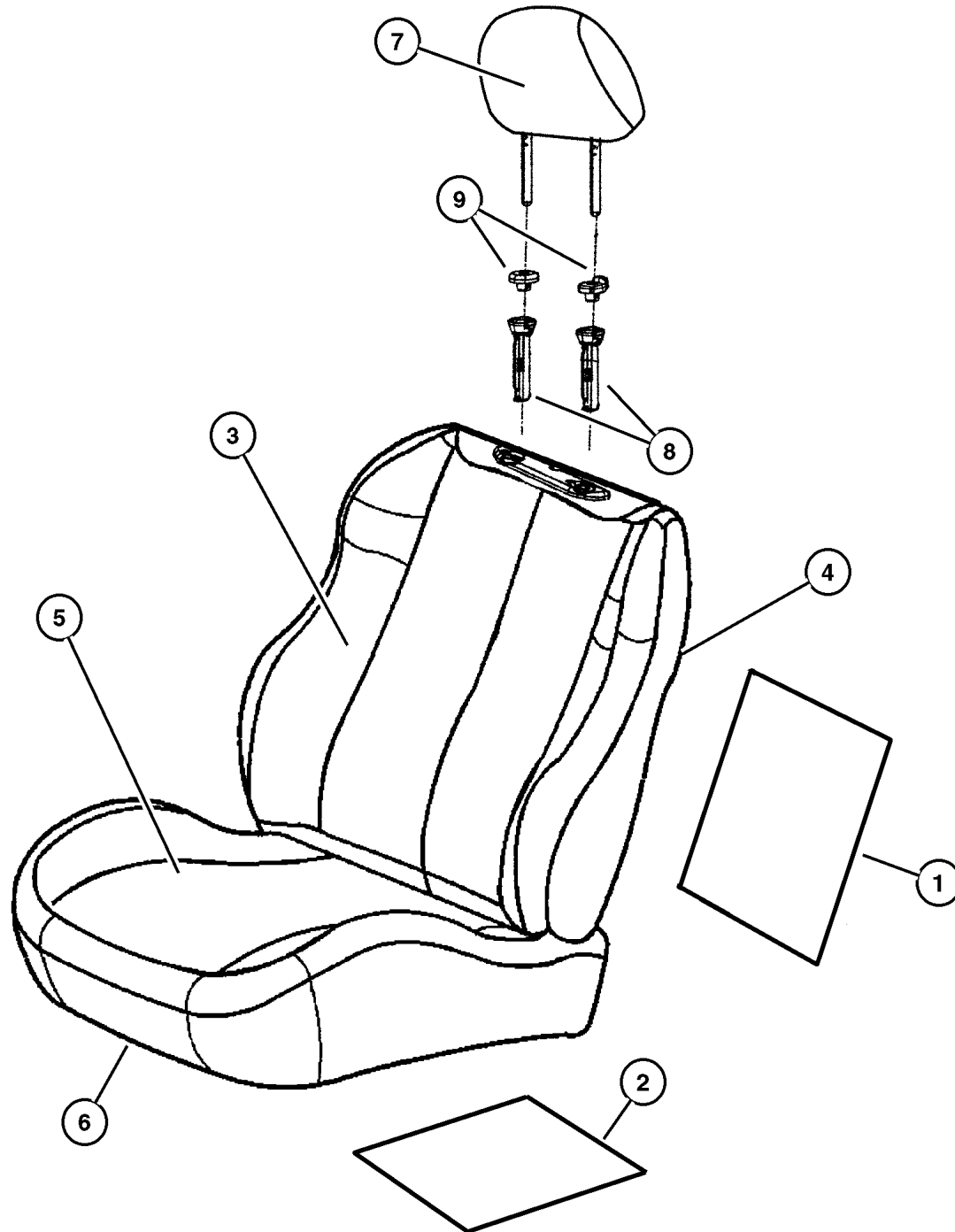


JEEP GRAND CHEROKEE (WJ)				
SERIES	LINE	BODY	ENGINE	TRANSMISSION
H = Laredo	J = 4WD	74 = 4 Door	ERH = 4.0L, Power Tech I-6	DGK = 4 Speed Autm, 42RE
M = Sport	T = 2WD		EVA = 4.7L, Power Tech V8	DGQ = 5 Speed Automatic, 45RFE
P = Limited			EVC = 4.7L HO V8 MPI	DG0 = All Automatic Transm
S = Overland			ERO = All 4.0L 6 Cyl Gas	
			EVO = All 4.7l Gas	

AR = Use as required - = Non illustrated part # = New this model year

May 1, 2002

**Front Seat, Leather, Trim Code [JL]
Figure IWJ-520**



ITEM	PART NUMBER	QTY	LINE	SERIES	BODY	TRIM	DESCRIPTION
Sales Codes: ake Shoe Return Spring Lower.							
[JP2]= Power Seats 10-Way Power With Map Pocket. ake Shoe Return Spring Lower.							
[JPT] = Power Seats, Driver and Passenger. ake Shoe Return Spring Lower.							
[JPX] = Power Heated. ake Shoe Return Spring Lower.							
[JTG] = Power 6-way, Heated. ake Shoe Return Spring Lower.							
1	5072 485AA	1				JL	HEATER, Pad, Seat Back
2	5072 486AA	1				JL	HEATER, Pad
	#5072 486AB	1				JL	Up to 10/4/01, Cushion
						JL	After 10/4/01, Cushion
3							COVER, Front Seat Back
	#WK36 1DVAA	2				JL	[DV]
	#WK36 1L5AA	2				JL	[L5]
	#WK36 1T5AA	2				JL	[T5]
4							BACK, Front Seat
	#WK48 1DVAA	1				JL	[DV], Heated, Sales Code [JPX], Right
	#WK48 1L5AA	1				JL	[L5], Heated, Sales Code [JPX], Right
	#WK48 1T5AA	1				JL	[T5], Heated, Sales Code [JPX], Right
	#WK49 1DVAA	1				JL	[DV], Heated, Sales Code [JPX], Left
	#WK49 1L5AA	1				JL	[L5], Heated, Sales Code [JPX], Left
	#WK49 1T5AA	1				JL	[T5], Heated, Sales Code [JPX], Left
	#WK52 1DVAA	1				JL	[DV], Non-Heated, Without Sales Code [JPX],
						JL	Right
	#WK52 1L5AA	1				JL	[L5], Non-Heated, Without Sales Code [JPX],
						JL	Right
	#WK52 1T5AA	1				JL	[T5], Non-Heated, Without Sales Code [JPX],
						JL	Right
	#WK53 1DVAA	1				JL	[DV], Non-Heated, Without Sales Code [JPX], Left
	#WK53 1L5AA	1				JL	[L5], Non-Heated, Without Sales Code [JPX], Left
	#WK53 1T5AA	1				JL	[T5], Non-Heated, Without Sales Code [JPX], Left
5							COVER AND PAD, Cushion
	#WK46 1DVAA	1				JL	[DV], Heated, Sales Code [JPX, JTG], Up to 10/4/01, Right
	#WK46 1DVAB	1				JL	[DV], Heated, Sales Code [JPX, JTG], After 10/4/01, Right
	#WK46 1L5AA	1				JL	[L5], Heated, Sales Code [JPX, JTG], Up to 10/4/01, Right
	#WK46 1L5AB	1				JL	[L5], Heated, Sales Code [JPX, JTG], After 10/4/01, Right
	#WK46 1T5AA	1				JL	[T5], Heated, Sales Code [JPX, JTG], Up to 10/4/01, Right
	#WK46 1T5AB	1				JL	[T5], Heated, Sales Code [JPX, JTG], After 10/4/01, Right

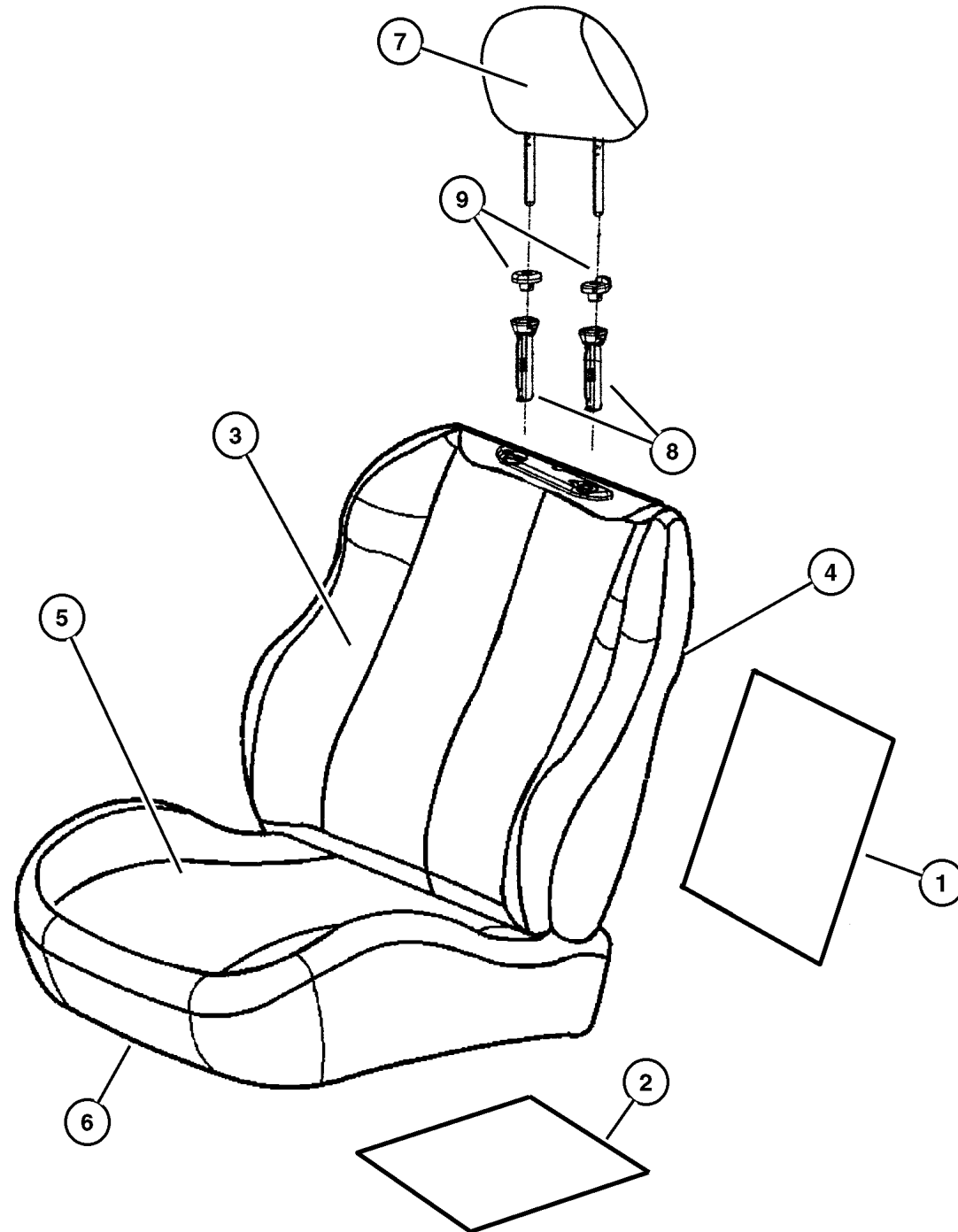
JEEP GRAND CHEROKEE (WJ)

SERIES	LINE	BODY	ENGINE	TRANSMISSION
H = Laredo	J = 4WD	74 = 4 Door	ERH = 4.0L, Power Tech I-6	DGK = 4 Speed Autm, 42RE
M = Sport	T = 2WD		EVA = 4.7L, Power Tech V8	DGQ = 5 Speed Automatic, 45RFE
P = Limited			EVC = 4.7L HO V8 MPI	DG0 = All Automatic Transm
S = Overland			ERO = All 4.0L 6 Cyl Gas	
			EVO = All 4.7L Gas	

AR = Use as required - = Non illustrated part # = New this model year

May 1, 2002

**Front Seat, Leather, Trim Code [JL]
Figure IWJ-520**



ITEM	PART NUMBER	QTY	LINE	SERIES	BODY	TRIM	DESCRIPTION
	#WK47 1DVAA	1				JL	[DV], Heated, Sales Code [JPX, JTG], Up to 10/4/01, Left
	#WK47 1DVAB	1				JL	[DV], Heated, Sales Code [JPX, JTG], After 10/4/01, Left
	#WK47 1L5AA	1				JL	[L5], Heated, Sales Code [JPX, JTG], Up to 10/4/01, Left
	#WK47 1L5AB	1				JL	[L5], Heated, Sales Code [JPX, JTG], After 10/4/01, Left
	#WK47 1T5AA	1				JL	[T5], Heated, Sales Code [JPX, JTG], Up to 10/4/01, Left
	#WK47 1T5AB	1				JL	[T5], Heated, Sales Code [JPX, JTG], After 10/4/01, Left
	#WK50 1DVAA	1				JL	[DV], Non-Heated, With Sales Code [JP2, JPT], Right
	#WK50 1L5AA	1				JL	[L5], Non-Heated, With Sales Code [JP2, JPT], Right
	#WK50 1T5AA	1				JL	[T5], Non-Heated, With Sales Code [JP2, JPT], Right
	#WK51 1DVAA	1				JL	[DV], Non-Heated, With, Sales Code [JP2, JPT], Left
	#WK51 1L5AA	1				JL	[L5], Non-Heated, With Sales Code [JP2, JPT], Left
	#WK51 1T5AA	1				JL	[T5], Non-Heated, With Sales Code [JP2, JPT], Left
6							FRAME, Front Seat
	4856 470	1				JL	Right
	4856 471	1				JL	Left
7							HEADREST, Front
	#WK27 1T5AA	2				JL	[T5]
	#WK27 1L5AA	2				JL	[L5]
	#WK27 1DVAA	2				JL	[DV]
8	5013 152AA	2				JL	CYLINDER, Headrest
9							COVER, Headrest Sleeve
	UK04 1DVAA	1				JL	[DV], Without Button
	UK04 1T5AA	1				JL	[T5], Without Button
	UK04 1L5AA	1				JL	[L5], Without Button
	UK05 1T5AA	1				JL	[T5], With Button
	UK05 1L5AA	1				JL	[L5], With Button
	UK05 1DVAA	1				JL	[DV], With Button
-10	5018 505AA	1					EXTENDER, Seat Belt

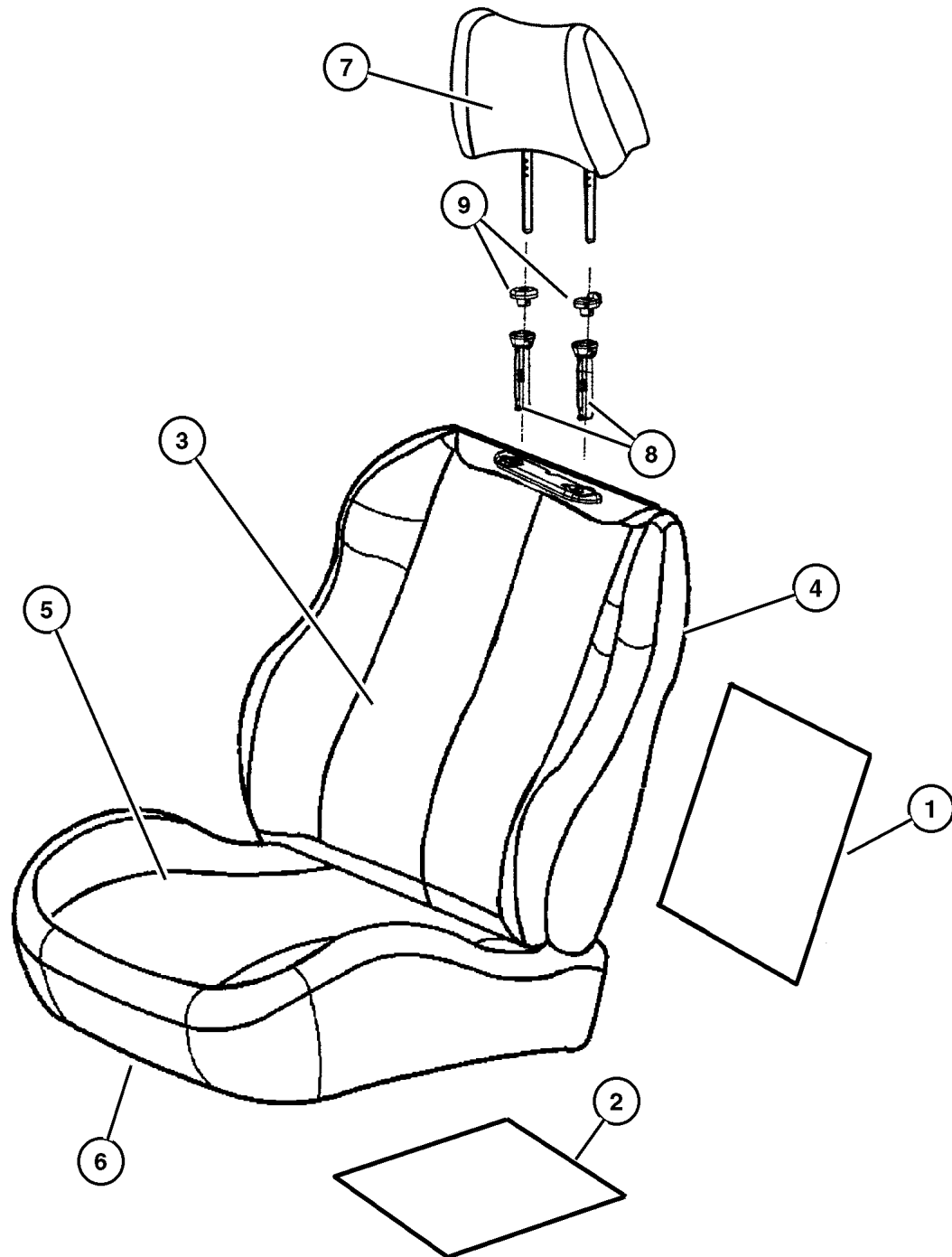
JEEP GRAND CHEROKEE (WJ)

SERIES	LINE	BODY	ENGINE	TRANSMISSION
H = Laredo	J = 4WD	74 = 4 Door	ERH = 4.0L, Power Tech I-6	DGK = 4 Speed Autm, 42RE
M = Sport	T = 2WD		EVA = 4.7L, Power Tech V8	DGQ = 5 Speed Automatic, 45RFE
P = Limited			EVC = 4.7L HO V8 MPI	DG0 = All Automatic Transm
S = Overland			ERO = All 4.0L 6 Cyl Gas	
			EVO = All 4.7L Gas	

AR = Use as required - = Non illustrated part # = New this model year

May 1, 2002

**Front Seat, Leather, Trim Code [XL]
Figure IWJ-530**



ITEM	PART NUMBER	QTY	LINE	SERIES	BODY	TRIM	DESCRIPTION
------	-------------	-----	------	--------	------	------	-------------

Sales Codes: ake Shoe Return Spring Lower.

Note; Some early built [JRF, JRH] passenger backs may have Lumbar. Please verify before ordering. ake Shoe Return Spring Lower.

[JRF] = Power 10 Way,Memory Driver, 6 way Passenger Non-Heated. ake Shoe Return Spring Lower.

[JRH] = Power 10 Way,Memory Driver Heated, 6 way Passenger. ake Shoe Return Spring Lower.

[JTC] = Power 10-Way Memory. ake Shoe Return Spring Lower.

[JTF] = Power 10-Way Heated Memory. ake Shoe Return Spring Lower.

1	5072 485AA	1				XL	HEATER, Pad, Seat Back
2							HEATER, Pad
	5072 486AA	1				XL	Up to 10/4/01, Cushion
	#5072 486AB	2				XL	After 10/4/01, Cushion
3							COVER, Front Seat Back
	#WN52 1DVAA	2				XL	[DV]
	#WN52 1L5AA	2				XL	[L5]
	#WN52 1T5AA	2				XL	[T5]
4							BACK, Front Seat
	WN48 1DVAA	1				XL	[DV], Non-Heated, Sales Code [JTC], Right
	WN48 1L5AA	1				XL	[L5], Non-Heated, Sales Code [JTC], Right
	WN48 1T5AA	1				XL	[T5], Non-Heated, Sales Code [JTC], Right
	#WN49 1DVAA	1				XL	[DV], Non-Heated, Sales Code [JTC, JRF], Left
	#WN49 1L5AA	1				XL	[L5], Non-Heated, Sales Code [JTC, JRF], Left
	#WN49 1T5AA	1				XL	[T5], Non-Heated, Sales Code [JTC, JRF], Left
	#XC50 1DVAA	1				XL	[DV], Non-Heated, Sales Code [JRF], Right
	#XC50 1L5AA	1				XL	[L5], Non-Heated, Sales Code [JRF], Right
	#XC50 1T5AA	1				XL	[T5], Non-Heated, Sales Code [JRF], Right
	#WN50 1DVAA	1				XL	[DV], Heated, Sales Code [JTF], With Lumbar, Right
	#WN50 1L5AA	1				XL	[L5], Heated, Sales Code [JTF], With Lumbar, Right
	#WN50 1T5AA	1				XL	[T5], Heated, Sales Code [JTF], With Lumbar, Right
	#XC10 1DVAA	1				XL	[DV], Heated, Sales Code [JTF, JRH], Without Lumbar, Right
	#XC10 1L5AA	1				XL	[L5], Heated, Sales Code [JTF, JRH], Without Lumbar, Right
	#XC10 1T5AA	1				XL	[T5], Heated, Sales Code [JTF, JRH], Without Lumbar, Right
	#WN51 1DVAA	1				XL	[DV], Heated, Sales Code [JTF, JRH], Left
	#WN51 1L5AA	1				XL	[L5], Heated, Sales Code [JTF, JRH], Left
	#WN51 1T5AA	1				XL	[T5], Heated, Sales Code [JTF, JRH], Left
5							COVER AND PAD, Cushion

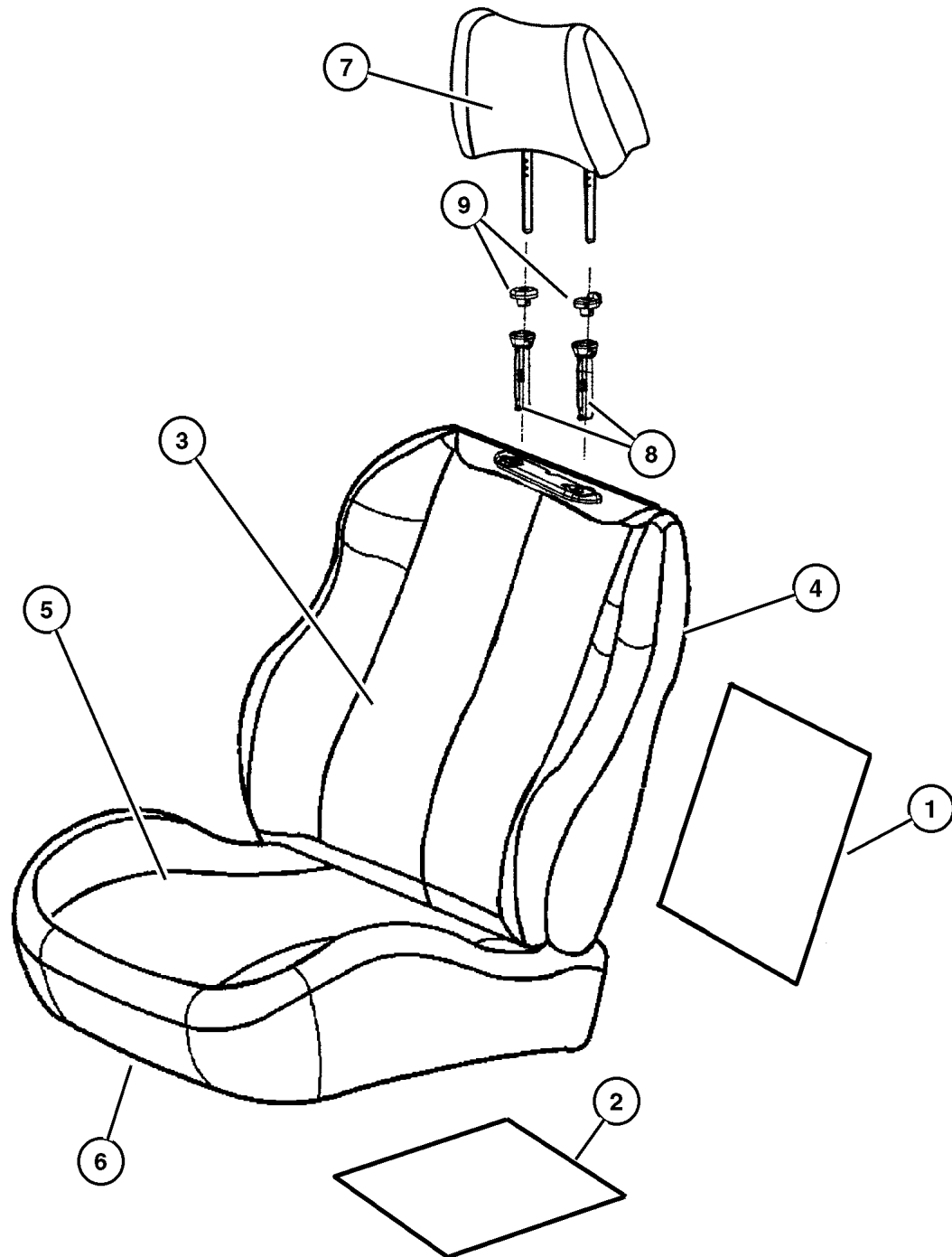
JEEP GRAND CHEROKEE (WJ)

SERIES	LINE	BODY	ENGINE	TRANSMISSION
H = Laredo	J = 4WD	74 = 4 Door	ERH = 4.0L, Power Tech I-6	DGK = 4 Speed Autm, 42RE
M = Sport	T = 2WD		EVA = 4.7L, Power Tech V8	DGQ = 5 Speed Automatic, 45RFE
P = Limited			EVC = 4.7L HO V8 MPI	DG0 = All Automatic Transm
S = Overland			ERO = All 4.0L 6 Cyl Gas	
			EVO = All 4.7L Gas	

AR = Use as required - = Non illustrated part # = New this model year

May 1, 2002

**Front Seat, Leather, Trim Code [XL]
Figure IWJ-530**



ITEM	PART NUMBER	QTY	LINE	SERIES	BODY	TRIM	DESCRIPTION
	#WN44 1DVAA	1				XL	[DV], Non-Heated, Sales Code [JTC], Right
	#WN44 1L5AA	1				XL	[L5], Non-Heated, Sales Code [JTC], Right
	#WN44 1T5AA	1				XL	[T5], Non-Heated, Sales Code [JTC], Right
	#WN45 1DVAA	1				XL	[DV], Non-Heated, Sales Code [JTC], Left
	#WN45 1L5AA	1				XL	[L5], Non-Heated, Sales Code [JTC], Left
	#WN45 1T5AA	1				XL	[T5], Non-Heated, Sales Code [JTC], Left
	WN46 1DVAA	1				XL	[DV], Heated, Sales Code [JTF], Up to 10/4/01, Right
	WN46 1DVAB	1				XL	[DV], Heated, Sales Code [JTF], After 10/4/01, Right
	WN46 1L5AA	1				XL	[L5], Heated, Sales Code [JTF], Up to 10/4/01, Right
	WN46 1L5AB	1				XL	[L5], Heated, Sales Code [JTF], After 10/4/01, Right
	WN46 1T5AA	1				XL	[T5], Heated, Sales Code [JTF], Up to 10/4/01, Right
	WN46 1T5AB	1				XL	[T5], Heated, Sales Code [JTF], After 10/4/01, Right
	WN47 1DVAA	1				XL	[DV], Heated, Sales Code [JTF], Up to 10/4/01, Left
	WN47 1DVAB	1				XL	[DV], Heated, Sales Code [JTF], After 10/4/01, Left
	WN47 1L5AA	1				XL	[L5], Heated, Sales Code [JTF], Up to 10/4/01, Left
	WN47 1L5AB	1				XL	[L5], Heated, Sales Code [JTF], After 10/4/01, Left
	WN47 1T5AA	1				XL	[T5], Heated, Sales Code [JTF], Up to 10/4/01, Left
	WN47 1T5AB	1				XL	[T5], Heated, Sales Code [JTF], After 10/4/01, Left
6							FRAME, Front Seat
	4856 470	1				XL	Right
	4856 471	1				XL	Left
7							HEADREST, Front
	UK07 1DVAA	2				XL	[DV]
	UK07 1L5AA	2				XL	[L5]
	UK07 1T5AA	2				XL	[T5]
8	5013 152AA	2				XL	CYLINDER, Headrest
9							COVER, Headrest Sleeve
	UK04 1DVAA	1				XL	[DV], Without Button, Right
	UK04 1L5AA	1				XL	[L5], Without Button, Right
	UK04 1T5AA	1				XL	[T5], Without Button, Right
	UK05 1DVAA	1				XL	[DV], With Button, Left

JEEP GRAND CHEROKEE (WJ)

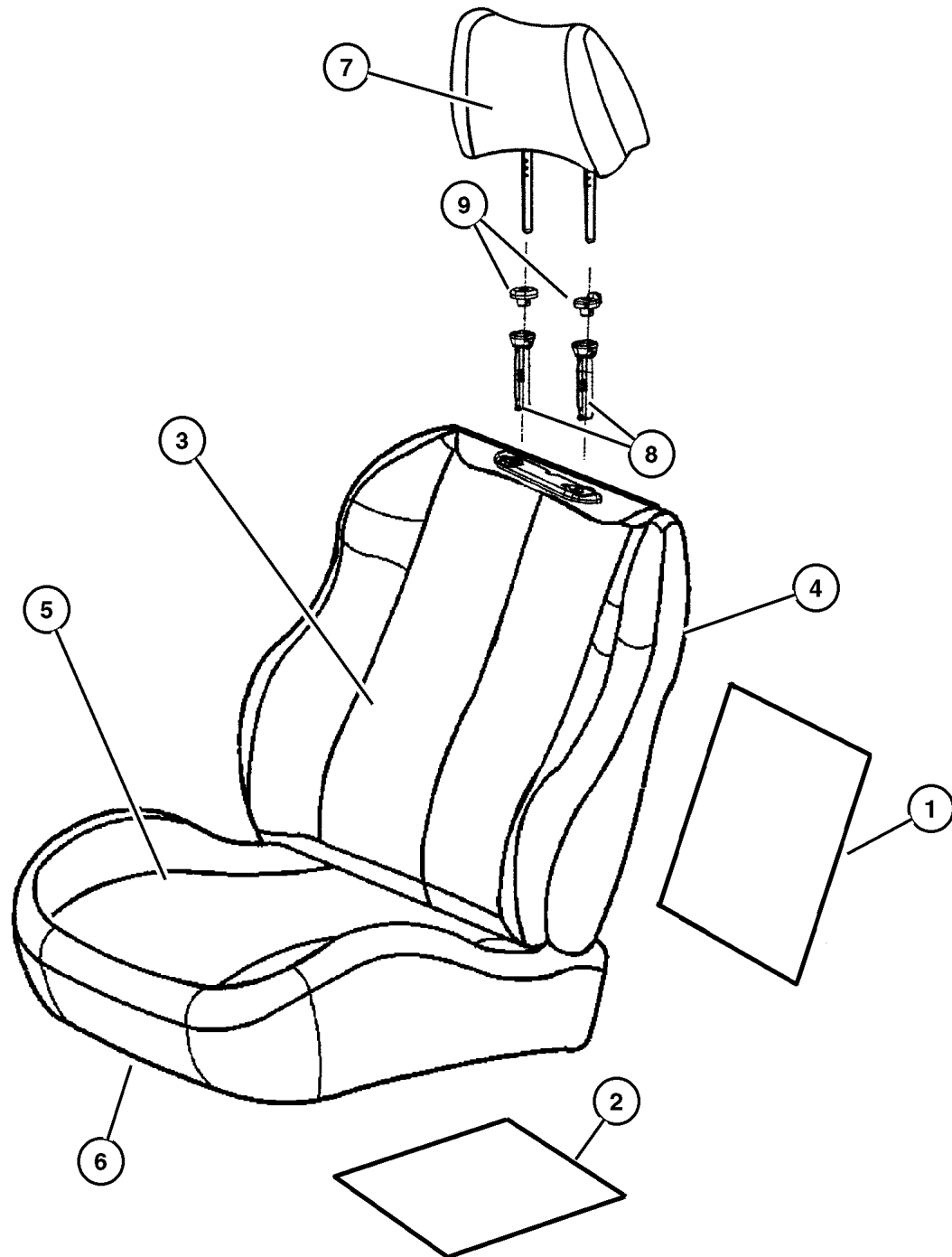
SERIES	LINE	BODY	ENGINE	TRANSMISSION
H = Laredo	J = 4WD	74 = 4 Door	ERH = 4.0L, Power Tech I-6	DGK = 4 Speed Autm, 42RE
M = Sport	T = 2WD		EVA = 4.7L, Power Tech V8	DGQ = 5 Speed Automatic, 45RFE
P = Limited			EVC = 4.7L HO V8 MPI	DG0 = All Automatic Transm
S = Overland			ERO = All 4.0L 6 Cyl Gas	
			EVO = All 4.7L Gas	

AR = Use as required - = Non illustrated part # = New this model year

May 1, 2002

**Front Seat, Leather, Trim Code [XL]
Figure IWJ-530**

ITEM	PART NUMBER	QTY	LINE	SERIES	BODY	TRIM	DESCRIPTION
	UK05 1L5AA	1				XL	[L5], With Button, Left
	UK05 1T5AA	1				XL	[T5], With Button, Left
-10	5018 505AA	1					EXTENDER, Seat Belt

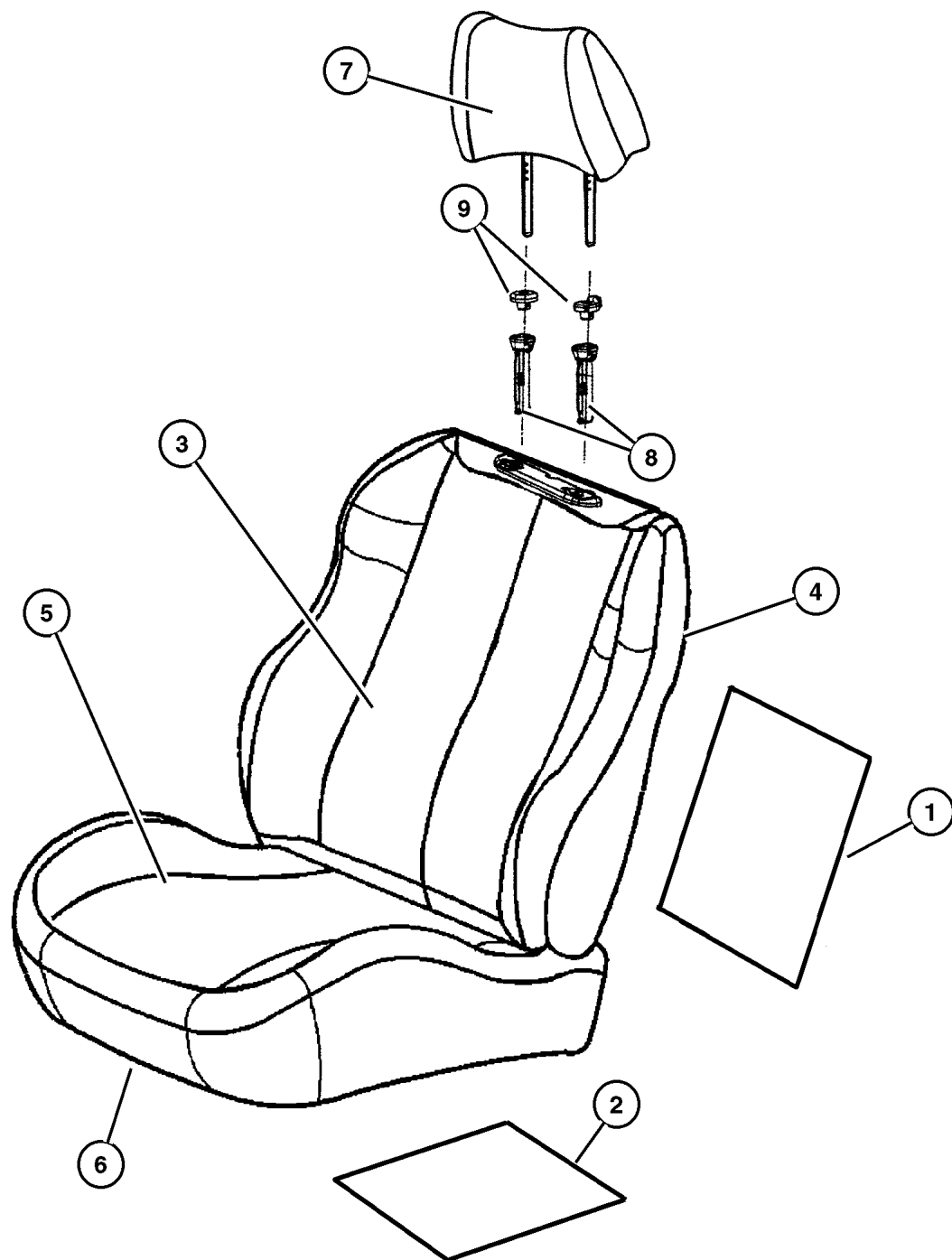


JEEP GRAND CHEROKEE (WJ)				
SERIES	LINE	BODY	ENGINE	TRANSMISSION
H = Laredo	J = 4WD	74 = 4 Door	ERH = 4.0L, Power Tech I-6	DGK = 4 Speed Autm, 42RE
M = Sport	T = 2WD		EVA = 4.7L, Power Tech V8	DGQ = 5 Speed Automatic, 45RFE
P = Limited			EVC = 4.7L HO V8 MPI	DG0 = All Automatic Transm
S = Overland			ERO = All 4.0L 6 Cyl Gas	
			EVO = All 4.7l Gas	

AR = Use as required - = Non illustrated part # = New this model year

May 1, 2002

**Front Seat, Leather, Trim Code [NL]
Figure IWJ-540**



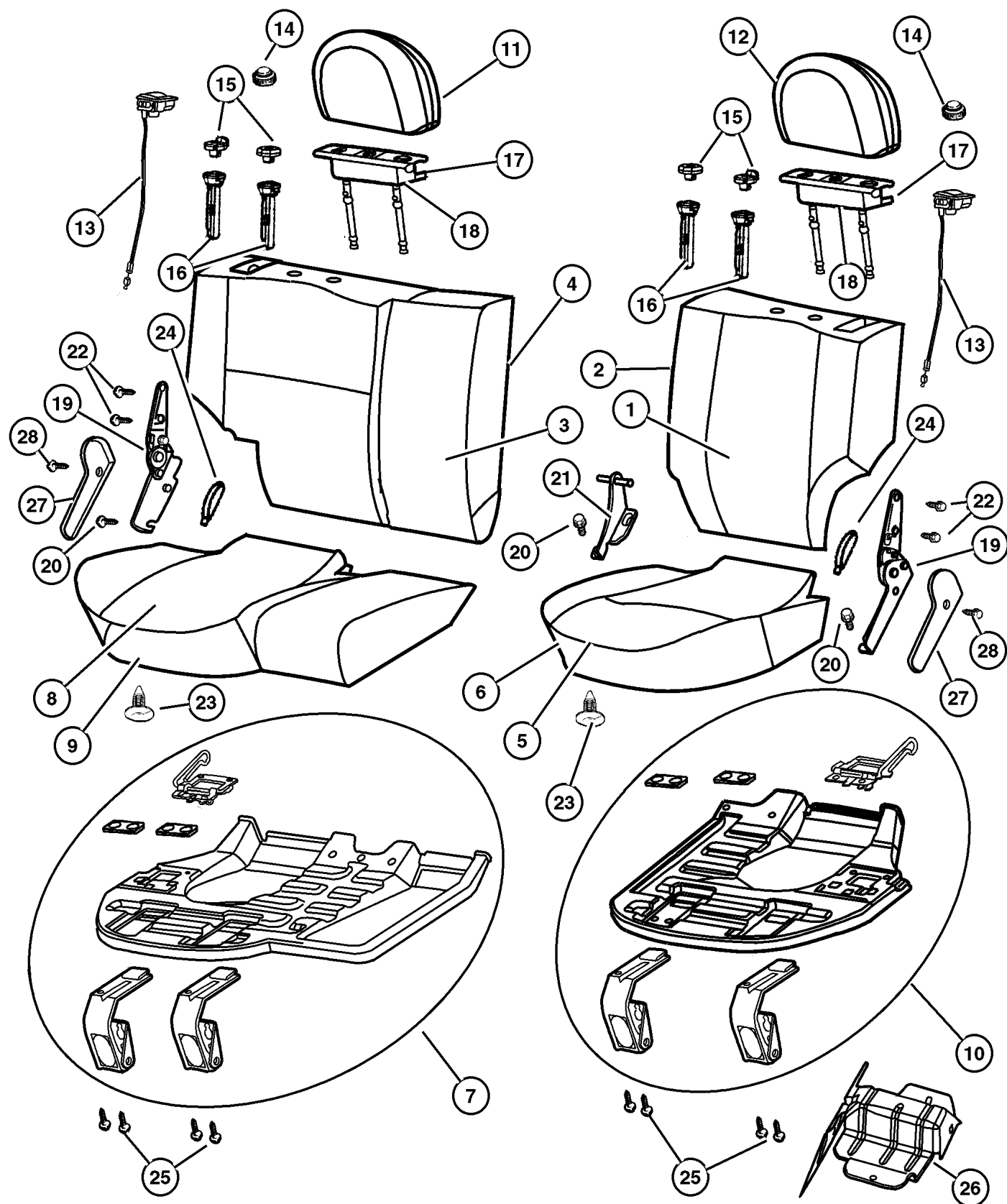
ITEM	PART NUMBER	QTY	LINE	SERIES	BODY	TRIM	DESCRIPTION
Sales Codes: ake Shoe Return Spring Lower.							
[JTF] = Power 10-Way Heated Memory. ake Shoe Return Spring Lower.							
1	5072 485AA	1				NL	HEATER, Pad, Seat Back
2							HEATER, Pad
	5072 486AA	1				NL	Up to 10/4/01, Cushion
	#5072 486AB	2				NL	After 10/4/01
3	#WK37 1DBAA	2				NL	COVER, Front Seat Back
4							BACK, Front Seat
	#WK56 1DBAA	1				NL	Right
	#WK57 1DBAA	1				NL	Left
5							COVER AND PAD, Cushion
	#WK54 1DBAA	1				NL	Side Facing Dark Slate, Right
	#WK55 1DBAA	1				NL	Side Facing Dark Slate, Left
	#XE66 1DBAA	1				NL	Side Facing Light Slate, Right
	#XE67 1DBAA	1				NL	Side Facing Light Slate, Left
6							FRAME, Front Seat
	4856 470	1				NL	Right
	4856 471	1				NL	Left
7	#WK43 1DBAA	2				NL	HEADREST, Front
8	5013 152AA	2				XL	CYLINDER, Headrest
9							COVER, Headrest Sleeve
	UK04 1DBAA	1				NL	Without Button
	UK05 1DBAA	1				NL	With Button
-10	5018 505AA	1					EXTENDER, Seat Belt

JEEP GRAND CHEROKEE (WJ)				
SERIES	LINE	BODY	ENGINE	TRANSMISSION
H = Laredo	J = 4WD	74 = 4 Door	ERH = 4.0L, Power Tech I-6	DGK = 4 Speed Autm, 42RE
M = Sport	T = 2WD		EVA = 4.7L, Power Tech V8	DGQ = 5 Speed Automatic, 45RFE
P = Limited			EVC = 4.7L HO V8 MPI	DG0 = All Automatic Transm
S = Overland			ERO = All 4.0L 6 Cyl Gas	
			EVO = All 4.7I Gas	

AR = Use as required - = Non illustrated part # = New this model year

May 1, 2002

Rear Seat, Trim Code [E7]
Figure IWJ-610



ITEM	PART NUMBER	QTY	LINE	SERIES	BODY	TRIM	DESCRIPTION
1							COVER, Rear Seat Back, 40%
	#WK23 1DVAA	1				E7 [DV]	
	#WK23 1L5AA	1				E7 [L5]	
	#WK23 1T5AA	1				E7 [T5]	
2							SEAT BACK, Rear, 40%
	#WK21 1DVAA	1				E7 [DV]	
	#WK21 1L5AA	1				E7 [L5]	
	#WK21 1T5AA	1				E7 [T5]	
3							COVER, Rear Seat Back, 60%
	#WK22 1DVAA	1				E7 [DV]	
	#WK22 1L5AA	1				E7 [L5]	
	#WK22 1T5AA	1				E7 [T5]	
4							SEAT BACK, Rear, 60%
	#WK20 1DVAA	1				E7 [DV]	
	#WK20 1L5AA	1				E7 [L5]	
	#WK20 1T5AA	1				E7 [T5]	
5							COVER, Rear Seat Cushion, 40%
	#WK19 1DVAA	1				E7 [DV]	
	#WK19 1L5AA	1				E7 [L5]	
	#WK19 1T5AA	1				E7 [T5]	
6							CUSHION, Rear Seat, 40%
	#WK17 1DVAA	1				E7 [DV]	
	#WK17 1L5AA	1				E7 [L5]	
	#WK17 1T5AA	1				E7 [T5]	
7	5013 119AA	1				E7	PANEL, Seat Cushion Base, 60%
8							COVER, Rear Seat Cushion, 60%
	#WK18 1DVAA	1				E7 [DV]	
	#WK18 1L5AA	1				E7 [L5]	
	#WK18 1T5AA	1				E7 [T5]	
9							CUSHION, Rear Seat, 60%
	#WK16 1DVAA	1				E7 [DV]	
	#WK16 1L5AA	1				E7 [L5]	
	#WK16 1T5AA	1				E7 [T5]	
10	5013 118AA	1				E7	PANEL, Seat Cushion Base, 40%
11							HEADREST, Rear, Right
	#WK28 1DVAA	1				E7 [DV]	
	#WK28 1L5AA	1				E7 [L5]	
	#WK28 1T5AA	1				E7 [T5]	
12							HEADREST, Rear, Left
	#WK29 1DVAA	1				E7 [DV]	
	#WK29 1L5AA	1				E7 [L5]	

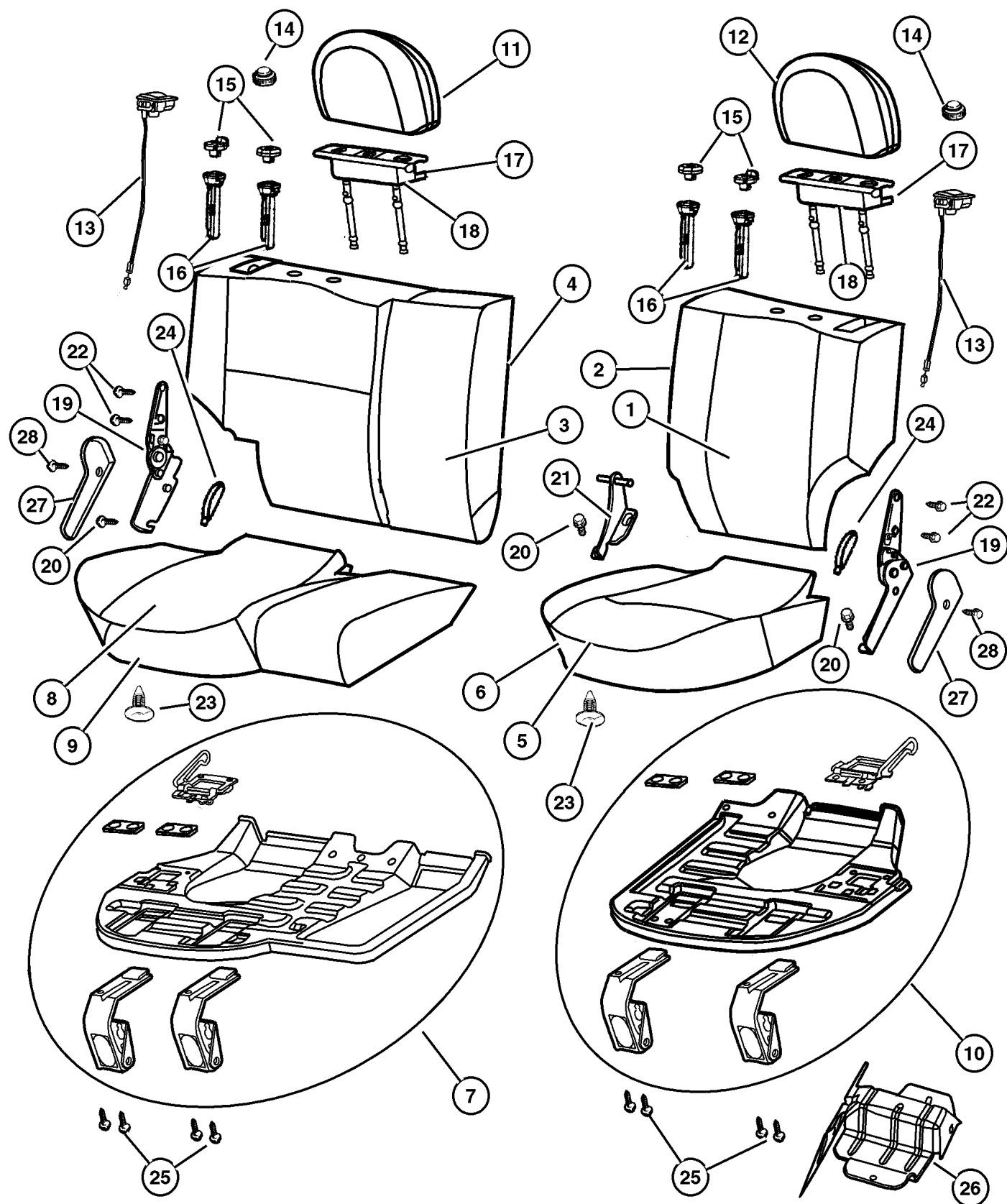
JEEP GRAND CHEROKEE (WJ)

SERIES	LINE	BODY	ENGINE	TRANSMISSION
H = Laredo	J = 4WD	74 = 4 Door	ERH = 4.0L, Power Tech I-6	DGK = 4 Speed Autm, 42RE
M = Sport	T = 2WD		EVA = 4.7L, Power Tech V8	DGQ = 5 Speed Automatic, 45RFE
P = Limited			EVC = 4.7L HO V8 MPI	DG0 = All Automatic Transm
S = Overland			ERO = All 4.0L 6 Cyl Gas	
			EVO = All 4.7I Gas	

AR = Use as required - = Non illustrated part # = New this model year

May 1, 2002

Rear Seat, Trim Code [E7]
Figure IWJ-610



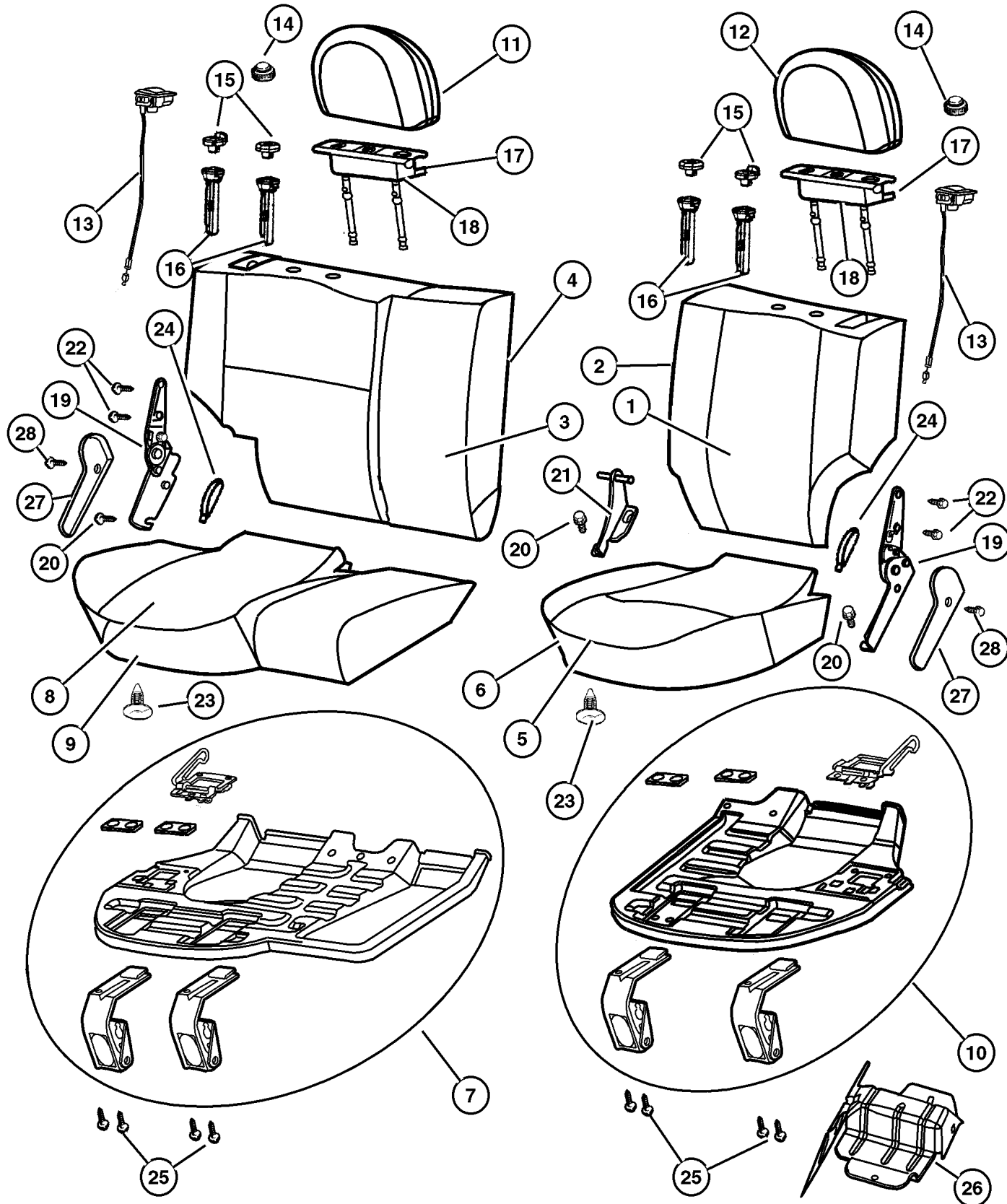
ITEM	PART NUMBER	QTY	LINE	SERIES	BODY	TRIM	DESCRIPTION
	#WK29 1T5AA	1				E7 [T5]	
13	SX64 1DVAA	1				E7 [DV]	CONTROL, SEAT RELEASE
	SX64 1L5AA	1				E7 [L5]	
	SX64 1T5AA	1				E7 [T5]	
14	5013 168AA	1				E7	HANDLE, Headrest Right
	5013 169AA	1				E7	Left
15	UK04 1DVAA	1				E7 [DV]	COVER, Headrest Sleeve Without Button
	UK04 1L5AA	1				E7 [L5]	Without Button
	UK04 1T5AA	1				E7 [T5]	Without Button
	UK05 1DVAA	1				E7 [DV]	With Button
	UK05 1L5AA	1				E7 [L5]	With Button
	UK05 1T5AA	1				E7 [T5]	With Button
16	5013 152AA	2				E7	CYLINDER, Headrest
17	5016 178AA	1				E7	BRACKET AND HINGE, Headrest Right
	5016 179AA	1				E7	Left
18	5016 920AA	1				E7	SHIELD, Headrest Right
	5016 921AA	1				E7	Left
19	#5080 270AA	1				E7	LATCH, Seat Right
	#5080 271AA	1				E7	Left
20	#6507 385AA	4					SCREW AND WASHER, Hex Head
21	#5080 268AA	1				E7	BRACKET, Pivot
22	4720 768	4				E7	BOLT, Recliner to Seat Back
23	5019 522AA	2				E7	RETAINER, Cushion Cover
24	SL00 1DVAA	1				E7 [DV]	STRAP, Seat Pull Without Button
	SL00 1L5AA	1				E7 [L5]	Without Button
	SL00 1T5AA	1				E7 [T5]	Without Button
25	6100 558	8					BOLT AND CONED WASHER, Hex Head, M6x25x14
26	55196 740AB	1					BRACKET, Seat Rear Seat Cushion Latch, Right
	55196 741AD	1					Rear Seat Cushion Latch, Left
27	UN70 1DVAA	1				E7 [DV]	COVER, Seat latch Right
	UN70 1L5AA	1				E7 [L5]	Right

JEEP GRAND CHEROKEE (WJ)
 SERIES LINE BODY ENGINE TRANSMISSION
 H = Laredo J = 4WD 74 = 4 Door ERH = 4.0L, Power Tech I-6 DGK = 4 Speed Autm, 42RE
 M = Sport T = 2WD EVA = 4.7L, Power Tech V8 DGQ = 5 Speed Automatic, 45RFE
 P = Limited EVC = 4.7L HO V8 MPI DGO = All Automatic Transm
 S = Overland ERO = All 4.0L 6 Cyl Gas
 EVO = All 4.7I Gas

AR = Use as required - = Non illustrated part # = New this model year

May 1, 2002

Rear Seat, Trim Code [E7]
Figure IWJ-610



ITEM	PART NUMBER	QTY	LINE	SERIES	BODY	TRIM	DESCRIPTION
	UN70 1T5AA	1				E7	[T5], Right
	UN71 1DVAA	1				E7	[DV], Left
	UN71 1L5AA	1				E7	[L5], Left
	UN71 1T5AA	1				E7	[T5], Left
28	5072 471AA	2				E7	RIVET

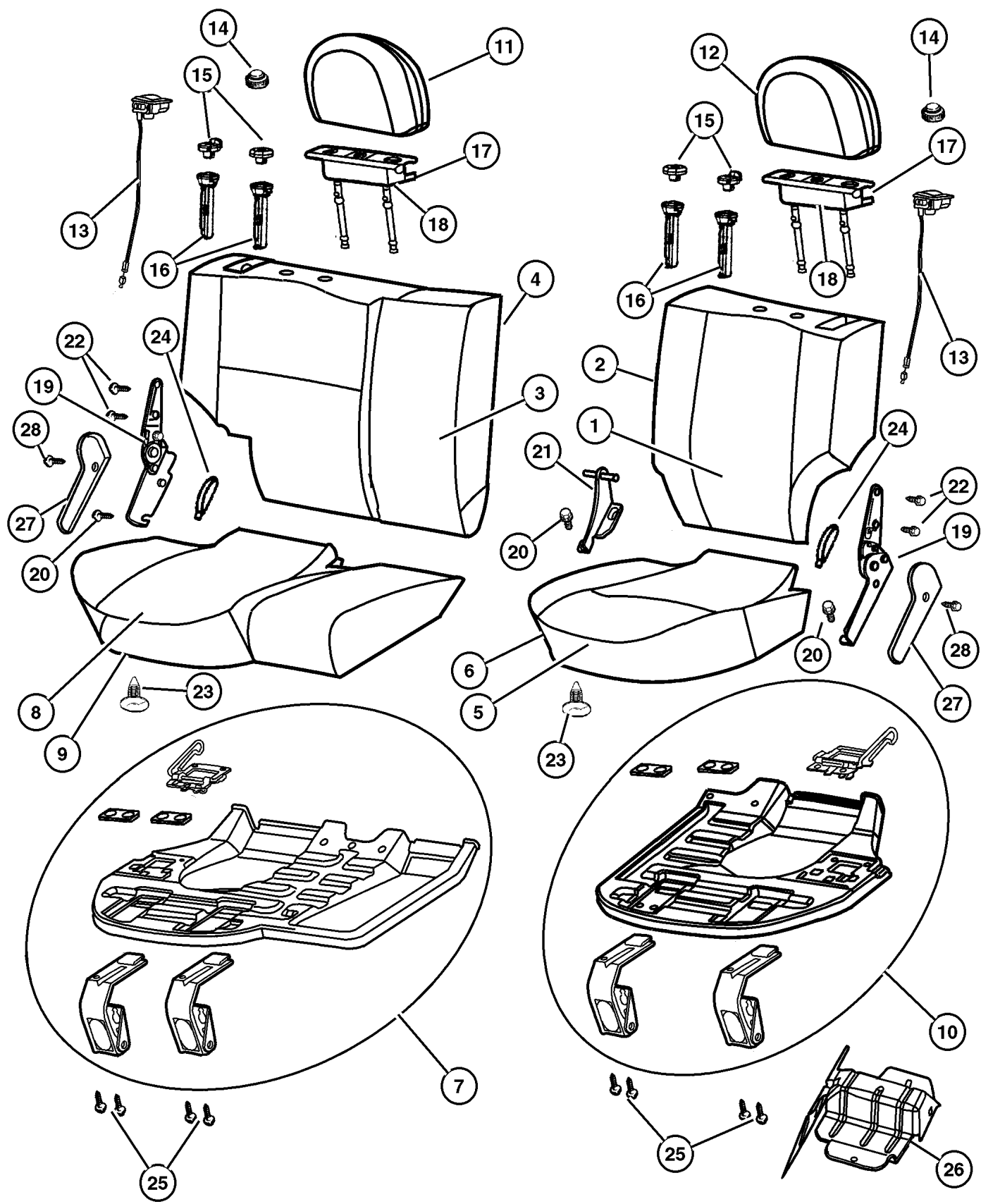
JEEP GRAND CHEROKEE (WJ)

SERIES	LINE	BODY	ENGINE	TRANSMISSION
H = Laredo	J = 4WD	74 = 4 Door	ERH = 4.0L, Power Tech I-6	DGK = 4 Speed Autm, 42RE
M = Sport	T = 2WD		EVA = 4.7L, Power Tech V8	DGQ = 5 Speed Automatic, 45RFE
P = Limited			EVC = 4.7L HO V8 MPI	DG0 = All Automatic Transm
S = Overland			ERO = All 4.0L 6 Cyl Gas	
			EVO = All 4.7I Gas	

AR = Use as required - = Non illustrated part # = New this model year

May 1, 2002

Rear Seat, Trim Code [JL]
Figure IWJ-620



ITEM	PART NUMBER	QTY	LINE	SERIES	BODY	TRIM	DESCRIPTION
1							COVER, Rear Seat Back, 40%
	#WK39 1DVAA	1				JL [DV]	
	#WK39 1L5AA	1				JL [L5]	
	#WK39 1T5AA	1				JL [T5]	
2							SEAT BACK, Rear, 40%
	#WK41 1DVAA	1				JL [DV]	
	#WK41 1L5AA	1				JL [L5]	
	#WK41 1T5AA	1				JL [T5]	
3							COVER, Rear Seat Back, 60%
	#WK38 1DVAA	1				JL [DV]	
	#WK38 1L5AA	1				JL [L5]	
	#WK38 1T5AA	1				JL [T5]	
4							SEAT BACK, Rear, 60%
	#WK40 1DVAA	1				JL [DV]	
	#WK40 1L5AA	1				JL [L5]	
	#WK40 1T5AA	1				JL [T5]	
5							COVER, Rear Seat Cushion, 40%
	#WK33 1DVAA	1				JL [DV]	
	#WK33 1L5AA	1				JL [L5]	
	#WK33 1T5AA	1				JL [T5]	
6							CUSHION, Rear Seat, 40%
	#WK35 1DVAA	1				JL [DV]	
	#WK35 1L5AA	1				JL [L5]	
	#WK35 1T5AA	1				JL [T5]	
7	5013 119AA	1				E7	PANEL, Seat Cushion Base, 60%
8							COVER, Rear Seat Cushion, 60%
	#WK32 1DVAA	1				JL [DV]	
	#WK32 1L5AA	1				JL [L5]	
	#WK32 1T5AA	1				JL [T5]	
9							CUSHION, Rear Seat, 60%
	#WK34 1DVAA	1				JL [DV]	
	#WK34 1L5AA	1				JL [L5]	
	#WK34 1T5AA	1				JL [T5]	
10	5013 118AA	1				JL	PANEL, Seat Cushion Base, 40%
11							HEADREST, Rear, Right
	#WK30 1DVAA	1				JL [DV]	
	#WK30 1L5AA	1				JL [L5]	
	#WK30 1T5AA	1				JL [T5]	
12							HEADREST, Rear, Left
	#WK31 1DVAA	1				JL [DV]	
	#WK31 1L5AA	1				JL [L5]	

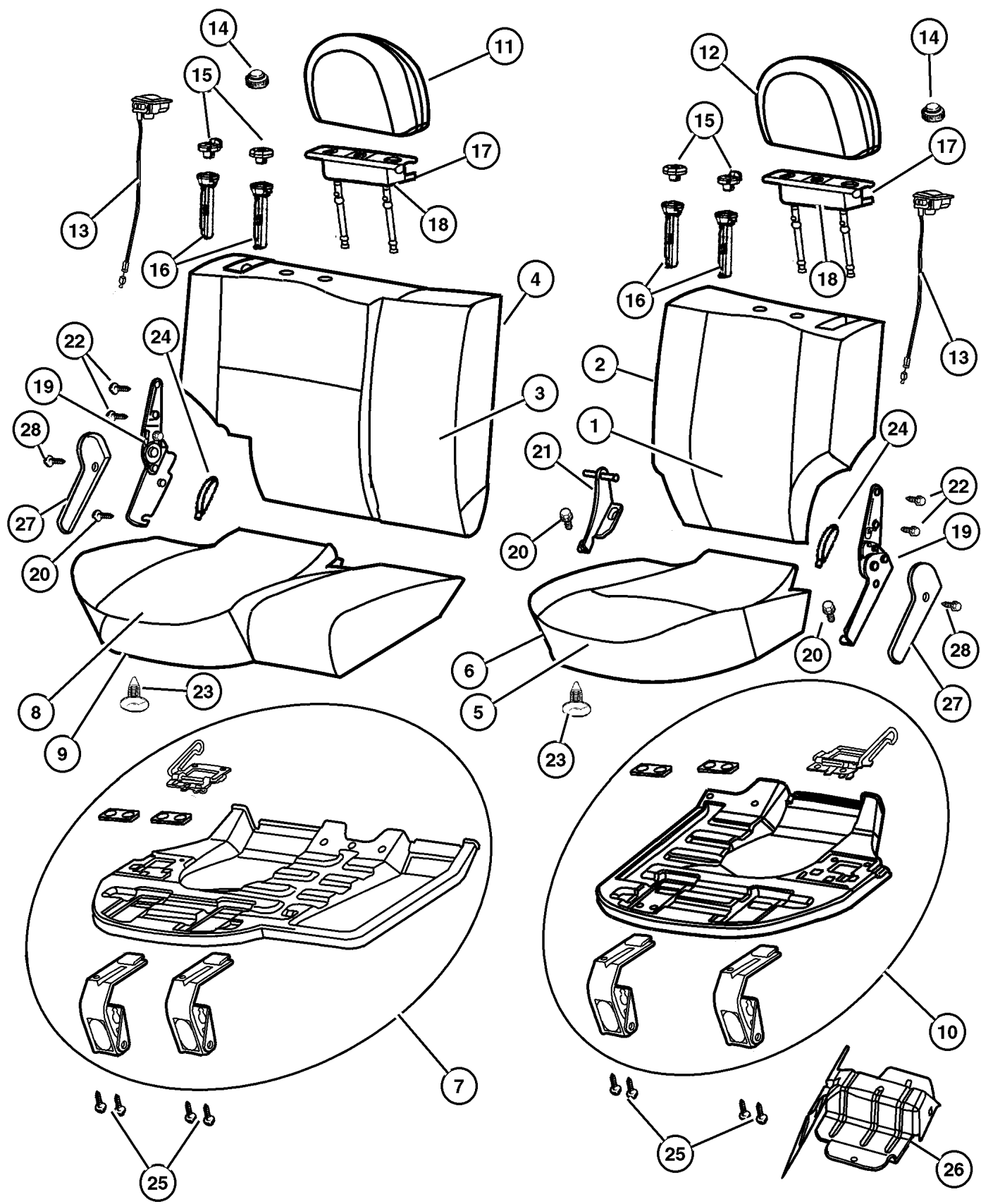
JEEP GRAND CHEROKEE (WJ)

SERIES	LINE	BODY	ENGINE	TRANSMISSION
H = Laredo	J = 4WD	74 = 4 Door	ERH = 4.0L, Power Tech I-6	DGK = 4 Speed Autm, 42RE
M = Sport	T = 2WD		EVA = 4.7L, Power Tech V8	DGQ = 5 Speed Automatic, 45RFE
P = Limited			EVC = 4.7L HO V8 MPI	DG0 = All Automatic Transm
S = Overland			ERO = All 4.0L 6 Cyl Gas	
			EVO = All 4.7L Gas	

AR = Use as required - = Non illustrated part # = New this model year

May 1, 2002

Rear Seat, Trim Code [JL]
Figure IWJ-620



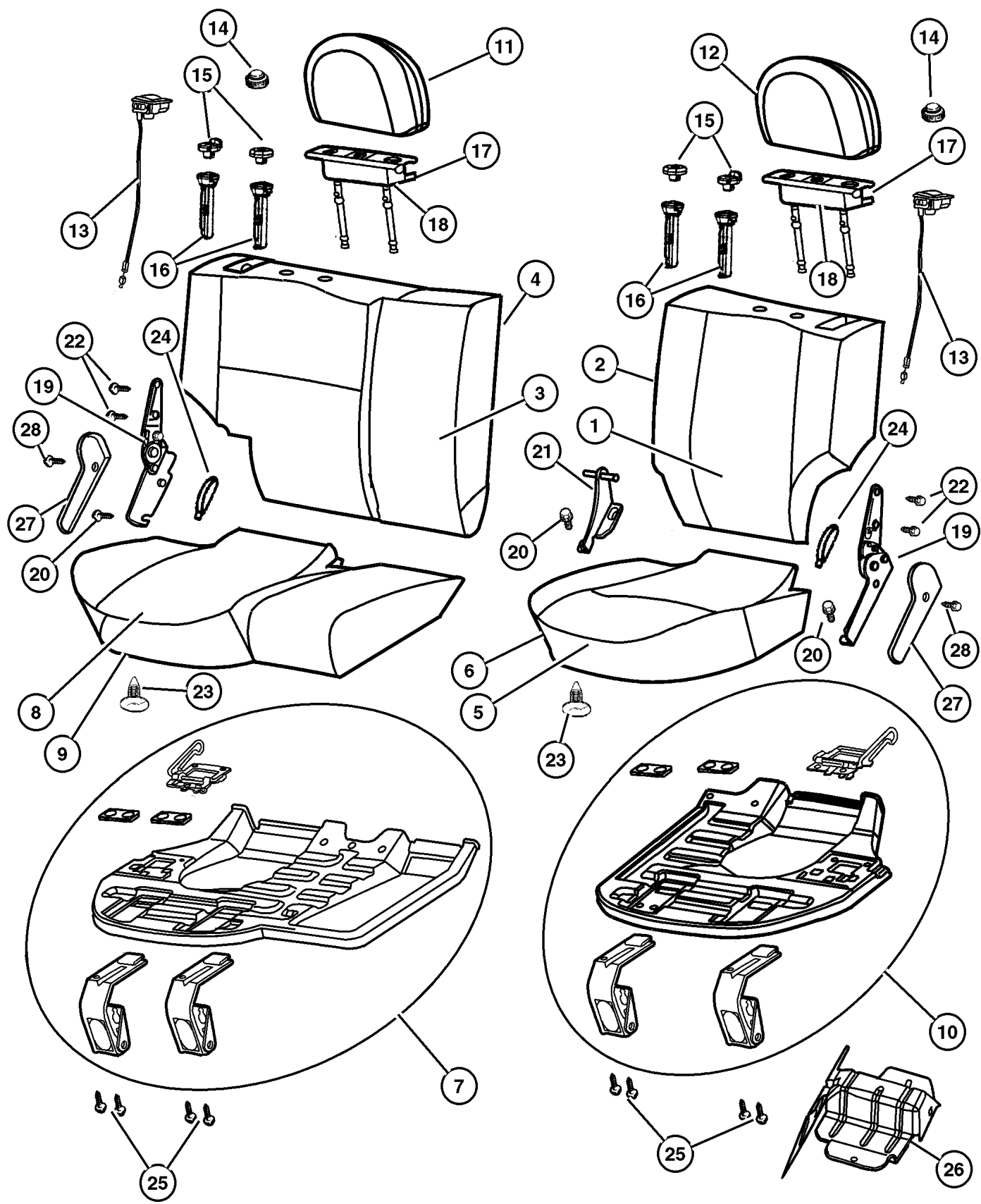
ITEM	PART NUMBER	QTY	LINE	SERIES	BODY	TRIM	DESCRIPTION
	#WK31 1T5AA	1				JL	[T5]
13	SX64 1DVAA	1				JL	[DV]
	SX64 1L5AA	1				JL	[L5]
	SX64 1T5AA	1				JL	[T5]
14	5013 168AA	1				JL	Right
	5013 169AA	1				JL	Left
15	UK04 1DVAA	1				JL	[DV], Without Button
	UK04 1L5AA	1				JL	[L5], Without Button
	UK04 1T5AA	1				JL	[T5], Without Button
	UK05 1DVAA	1				JL	[DV], With Button
	UK05 1L5AA	1				JL	[L5], With Button
	UK05 1T5AA	1				JL	[T5], With Button
16	5013 152AA	2				JL	CYLINDER, Headrest
17	5016 178AA	1				JL	Right
	5016 179AA	1				JL	Left
18	5016 920AA	1				JL	Right
	5016 921AA	1				JL	Left
19	#5080 270AA	1				JL	Right
	#5080 271AA	1				JL	Left
20	#6507 385AA	4					SCREW AND WASHER, Hex Head
21	#5080 268AA	1				JL	BRACKET, Pivot
22	4720 768	4				JL	BOLT, Recliner to Seat Back
23	5019 522AA	2				JL	RETAINER, Cushion Cover
24	SL00 1DVAA	1				JL	[DV]
	SL00 1L5AA	1				JL	[L5]
	SL00 1T5AA	1				JL	[T5]
25	6100 558	8					BOLT AND CONED WASHER, Hex Head, M6x25x14
26	55196 740AB	1					BRACKET, Seat Rear Seat Cushion Latch, Right
	55196 741AD	1					Rear Seat Cushion Latch, Left
27	UN70 1DVAA	1				JL	[DV], Right
	UN70 1L5AA	1				JL	[L5], Right

JEEP GRAND CHEROKEE (WJ)
 SERIES LINE BODY ENGINE TRANSMISSION
 H = Laredo J = 4WD 74 = 4 Door ERH = 4.0L, Power Tech I-6 DGK = 4 Speed Autm, 42RE
 M = Sport T = 2WD EVA = 4.7L, Power Tech V8 DGQ = 5 Speed Automatic, 45RFE
 P = Limited EVC = 4.7L HO V8 MPI DG0 = All Automatic Transm
 S = Overland ERO = All 4.0L 6 Cyl Gas
 EVO = All 4.7I Gas

AR = Use as required - = Non illustrated part # = New this model year

May 1, 2002

Rear Seat, Trim Code [JL]
Figure IWJ-620



ITEM	PART NUMBER	QTY	LINE	SERIES	BODY	TRIM	DESCRIPTION
	UN70 1T5AA	1				JL	[T5], Right
	UN71 1DVAA	1				JL	[DV], Left
	UN71 1L5AA	1				JL	[L5], Left
	UN71 1T5AA	1				JL	[T5], Left
28	5072 471AA	2				JL	RIVET

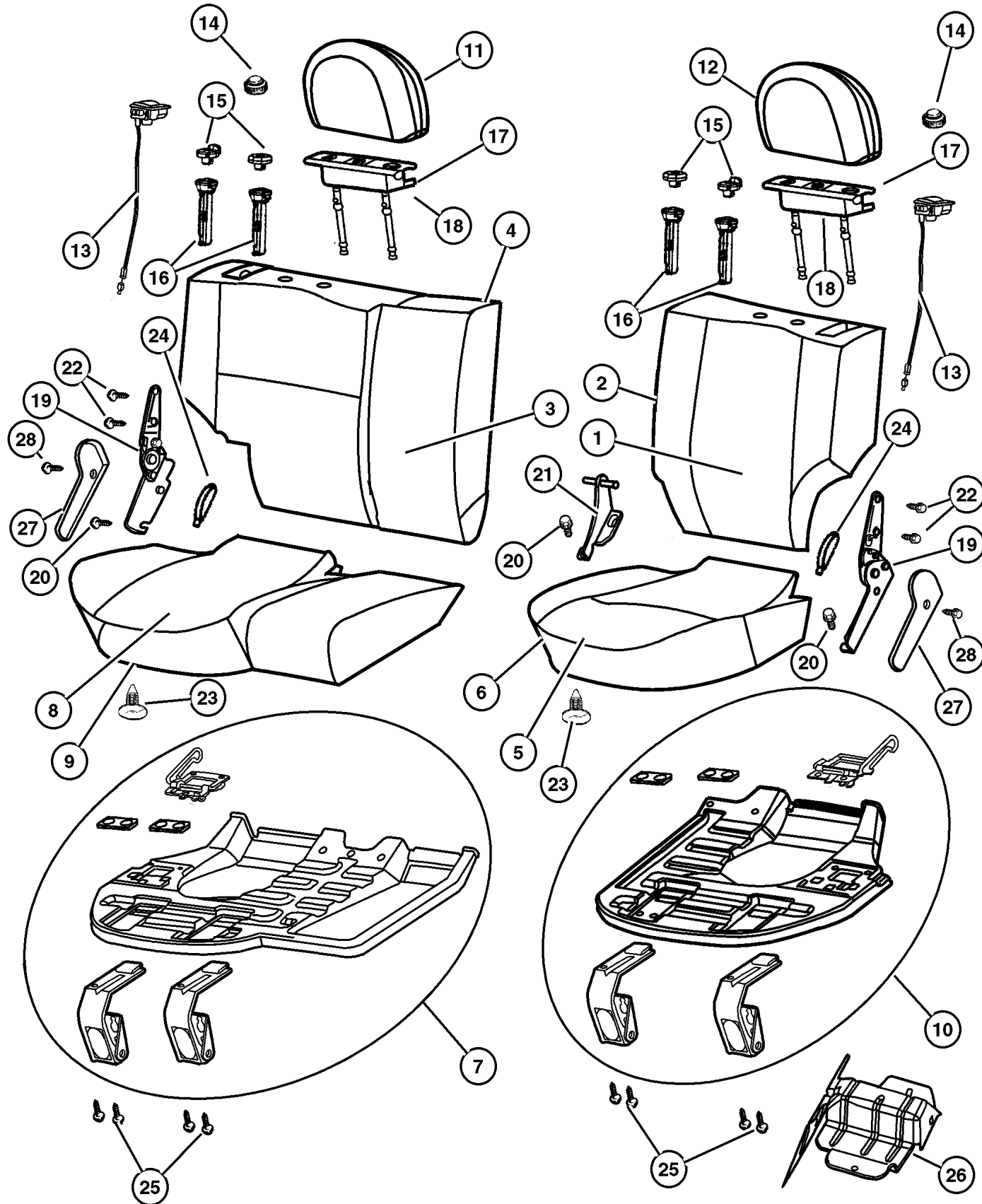
JEEP GRAND CHEROKEE (WJ)

SERIES	LINE	BODY	ENGINE	TRANSMISSION
H = Laredo	J = 4WD	74 = 4 Door	ERH = 4.0L, Power Tech I-6	DGK = 4 Speed Autm, 42RE
M = Sport	T = 2WD		EVA = 4.7L, Power Tech V8	DGQ = 5 Speed Automatic, 45RFE
P = Limited			EVC = 4.7L HO V8 MPI	DG0 = All Automatic Transm
S = Overland			ERO = All 4.0L 6 Cyl Gas	
			EVO = All 4.7I Gas	

AR = Use as required - = Non illustrated part # = New this model year

May 1, 2002

Rear Seat, Trim Code [XL]
Figure IWJ-630



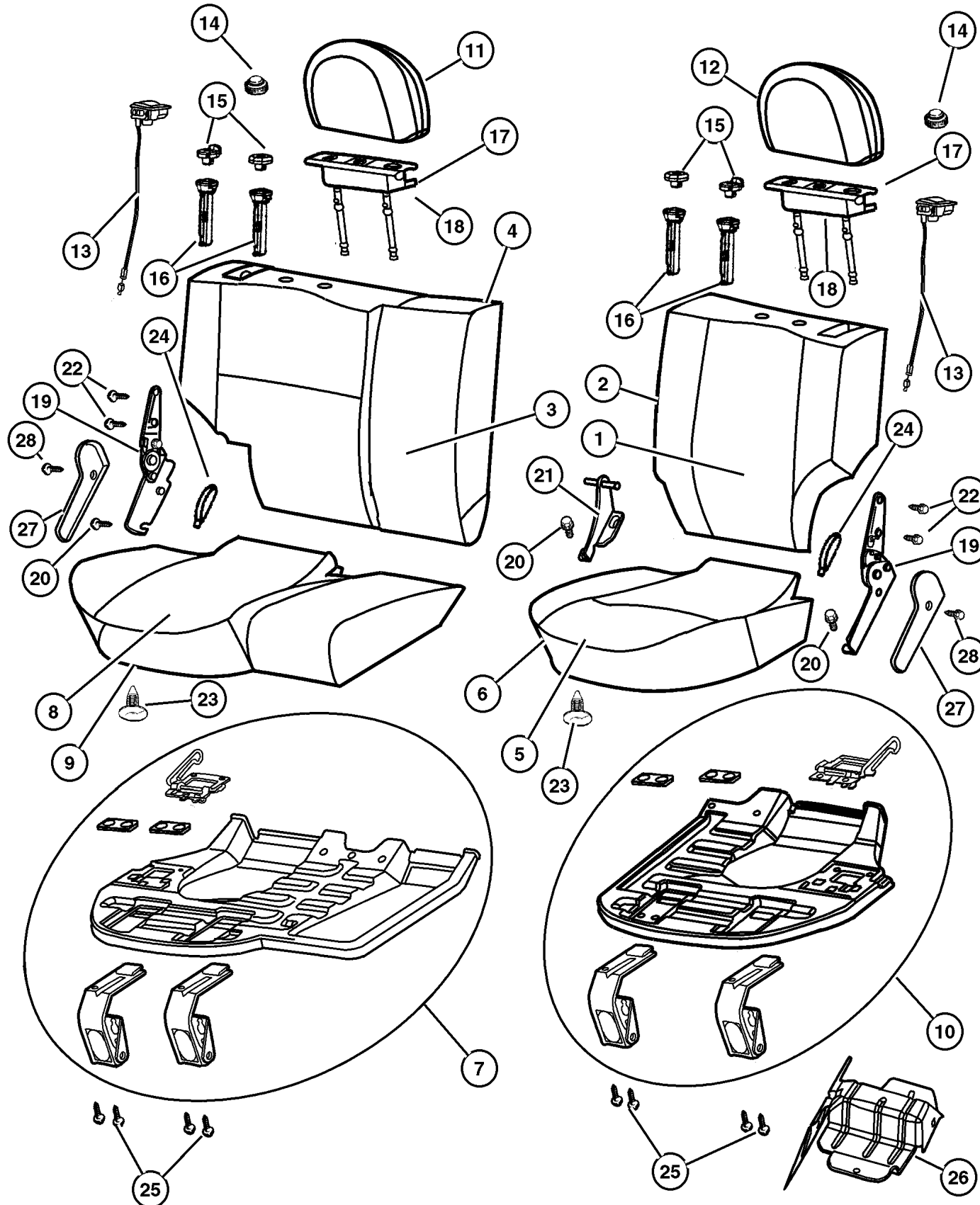
ITEM	PART NUMBER	QTY	LINE	SERIES	BODY	TRIM	DESCRIPTION
1							COVER, Rear Seat Back, 40%
	#WN63 1DVAA	1				XL [DV]	
	#WN63 1L5AA	1				XL [L5]	
	#WN63 1T5AA	1				XL [T5]	
2							SEAT BACK, Rear, 40%
	#WN59 1DVAA	1				XL [DV]	
	#WN59 1L5AA	1				XL [L5]	
	#WN59 1T5AA	1				XL [T5]	
3							COVER, Rear Seat Back, 60%
	#WN62 1DVAA	1				XL [DV]	
	#WN62 1L5AA	1				XL [L5]	
	#WN62 1T5AA	1				XL [T5]	
4							SEAT BACK, Rear, 60%
	#WN58 1DVAA	1				XL [DV]	
	#WN58 1L5AA	1				XL [L5]	
	#WN58 1T5AA	1				XL [T5]	
5							COVER, Rear Seat Cushion, 40%
	#WN57 1DVAA	1				XL [DV]	
	#WN57 1L5AA	1				XL [L5]	
	#WN57 1T5AA	1				XL [T5]	
6							CUSHION, Rear Seat, 40%
	#WN55 1DVAA	1				XL [DV]	
	#WN55 1L5AA	1				XL [L5]	
	#WN55 1T5AA	1				XL [T5]	
7	5013 119AA	1				XL	PANEL, Seat Cushion Base, 60%
8							COVER, Rear Seat Cushion, 60%
	#WN56 1DVAA	1				XL [DV]	
	#WN56 1L5AA	1				XL [L5]	
	#WN56 1T5AA	1				XL [T5]	
9							CUSHION, Rear Seat, 60%
	#WN54 1DVAA	1				XL [DV]	
	#WN54 1L5AA	1				XL [L5]	
	#WN54 1T5AA	1				XL [T5]	
10	5013 118AA	1				XL	PANEL, Seat Cushion Base, 40%
11							HEADREST, Rear, Right
	UK16 1DVAA	1				XL [DV]	
	UK16 1L5AA	1				XL [L5]	
	UK16 1T5AA	1				XL [T5]	
12							HEADREST, Rear, Left
	UK17 1DVAA	1				XL [DV]	
	UK17 1L5AA	1				XL [L5]	

JEEP GRAND CHEROKEE (WJ)
 SERIES LINE BODY ENGINE TRANSMISSION
 H = Laredo J = 4WD 74 = 4 Door ERH = 4.0L, Power Tech I-6 DGK = 4 Speed Autm, 42RE
 M = Sport T = 2WD EVA = 4.7L, Power Tech V8 DGQ = 5 Speed Automatic, 45RFE
 P = Limited EVC = 4.7L HO V8 MPI DG0 = All Automatic Transm
 S = Overland ERO = All 4.0L 6 Cyl Gas
 EVO = All 4.7L Gas

AR = Use as required - = Non illustrated part # = New this model year

May 1, 2002

Rear Seat, Trim Code [XL]
Figure IWJ-630



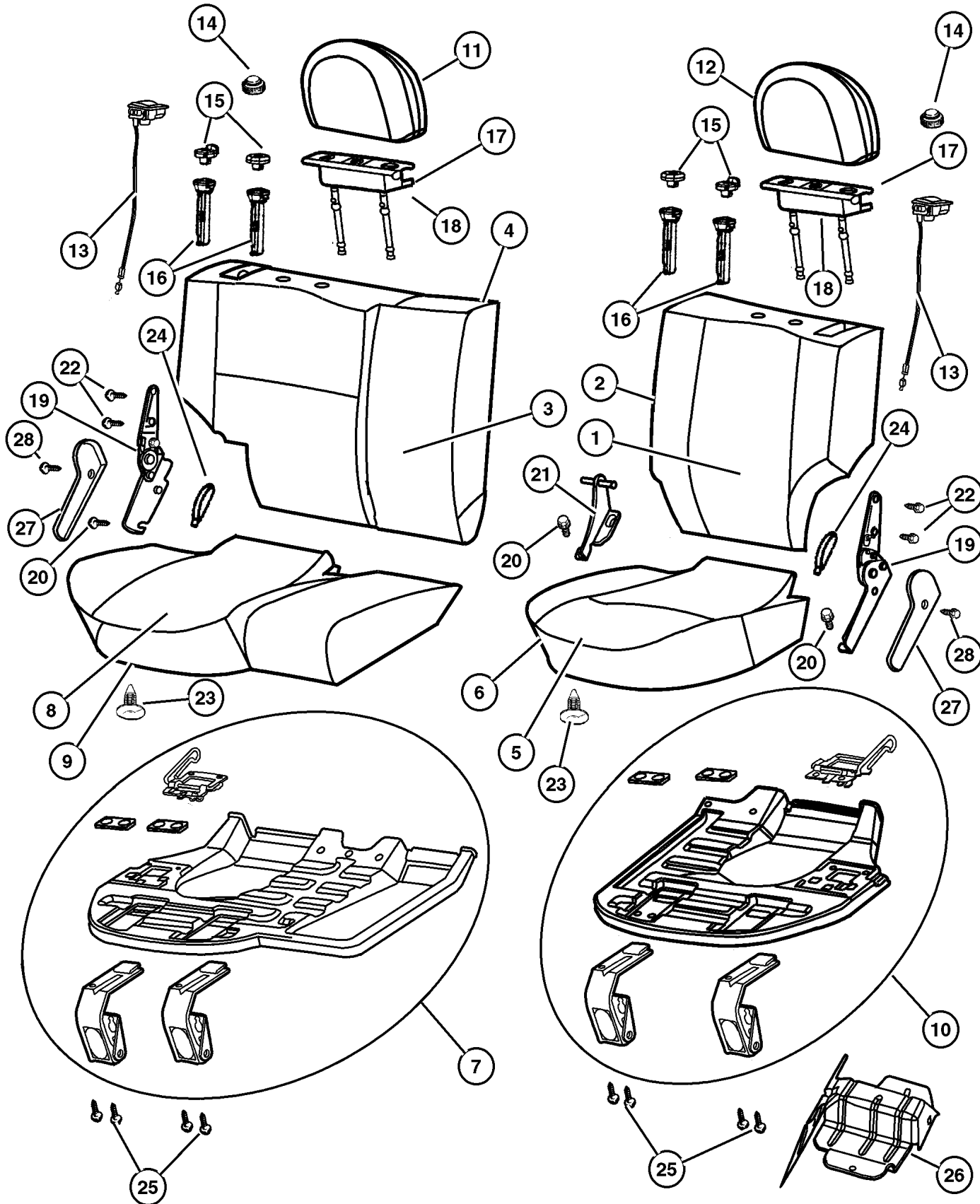
ITEM	PART NUMBER	QTY	LINE	SERIES	BODY	TRIM	DESCRIPTION
	UK17 1T5AA	1				XL	[T5]
13	SX64 1DVAA	1				XL	[DV]
	SX64 1L5AA	1				XL	[L5]
	SX64 1T5AA	1				XL	[T5]
							CONTROL, SEAT RELEASE
14	5013 168AA	1				XL	Right
	5013 169AA	1				XL	Left
15							COVER, Headrest Sleeve
	UK04 1DVAA	1				XL	[DV], Without Button
	UK04 1L5AA	1				XL	[L5], Without Button
	UK04 1T5AA	1				XL	[T5], Without Button
	UK05 1DVAA	1				XL	[DV], With Button
16	UK05 1L5AA	1				XL	[L5], With Button
	UK05 1T5AA	1				XL	[T5], With Button
17	5013 152AA	2				XL	CYLINDER, Headrest
							BRACKET AND HINGE, Headrest
18	5016 178AA	1				XL	Right
	5016 179AA	1				XL	Left
19	5016 920AA	1				XL	Right
	5016 921AA	1				XL	Left
20	#5080 270AA	1				XL	Right
	#5080 271AA	1				XL	Left
21	#6507 385AA	4					SCREW AND WASHER, Hex Head
	#5080 268AA	1				XL	BRACKET, Pivot
22	4720 768	4				XL	BOLT, Recliner to Seat Back
	5019 522AA	2				XL	RETAINER, Cushion Cover
24							STRAP, Seat Pull
	SL00 1DVAA	1				XL	[DV]
	SL00 1L5AA	1				XL	[L5]
25	SL00 1T5AA	1				XL	[T5]
	6100 558	8					BOLT AND CONED WASHER, Hex Head, M6x25x14
26							BRACKET, Seat
	55196 740AB	1					Rear Seat Cushion Latch, Right
27	55196 741AD	1					Rear Seat Cushion Latch, Left
							COVER, Seat latch
28	UN70 1DVAA	1				XL	[DV], Right
	UN70 1L5AA	1				XL	[L5], Right

JEEP GRAND CHEROKEE (WJ)
 SERIES LINE BODY ENGINE TRANSMISSION
 H = Laredo J = 4WD 74 = 4 Door ERH = 4.0L, Power Tech I-6 DGK = 4 Speed Autm, 42RE
 M = Sport T = 2WD EVA = 4.7L, Power Tech V8 DGQ = 5 Speed Automatic, 45RFE
 P = Limited EVC = 4.7L HO V8 MPI DG0 = All Automatic Transm
 S = Overland ERO = All 4.0L 6 Cyl Gas
 EVO = All 4.7I Gas

AR = Use as required - = Non illustrated part # = New this model year

May 1, 2002

Rear Seat, Trim Code [XL]
Figure IWJ-630



ITEM	PART NUMBER	QTY	LINE	SERIES	BODY	TRIM	DESCRIPTION
	UN70 1T5AA	1				XL	[T5], Right
	UN71 1DVAA	1				XL	[DV], Left
	UN71 1L5AA	1				XL	[L5], Left
	UN71 1T5AA	1				XL	[T5], Left
28	5072 471AA	2				XL	RIVET

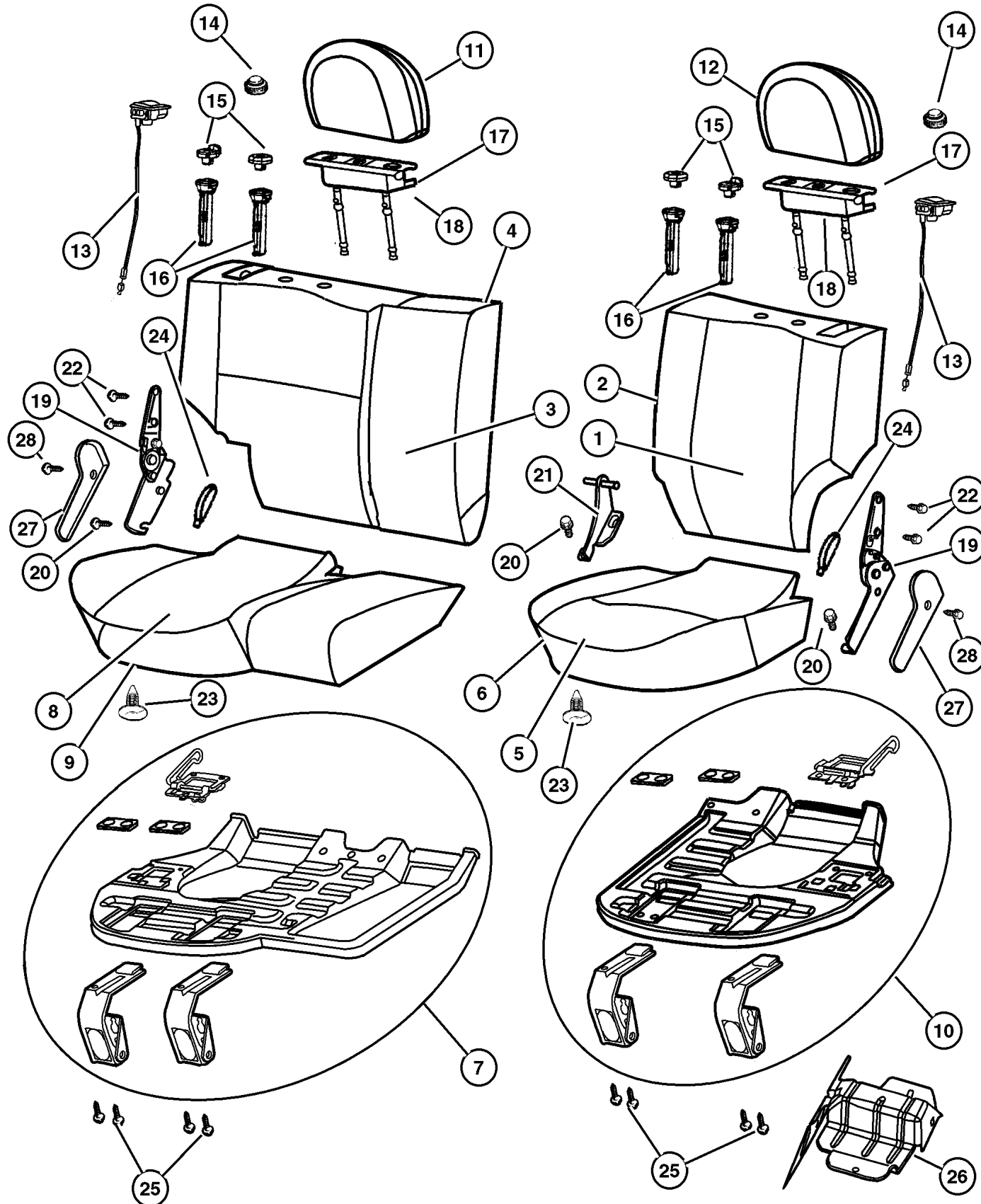
JEEP GRAND CHEROKEE (WJ)

SERIES	LINE	BODY	ENGINE	TRANSMISSION
H = Laredo	J = 4WD	74 = 4 Door	ERH = 4.0L, Power Tech I-6	DGK = 4 Speed Autm, 42RE
M = Sport	T = 2WD		EVA = 4.7L, Power Tech V8	DGQ = 5 Speed Automatic, 45RFE
P = Limited			EVC = 4.7L HO V8 MPI	DG0 = All Automatic Transm
S = Overland			ERO = All 4.0L 6 Cyl Gas	
			EVO = All 4.7I Gas	

AR = Use as required - = Non illustrated part # = New this model year

May 1, 2002

Rear Seat, Trim Code [NL]
Figure IWJ-640



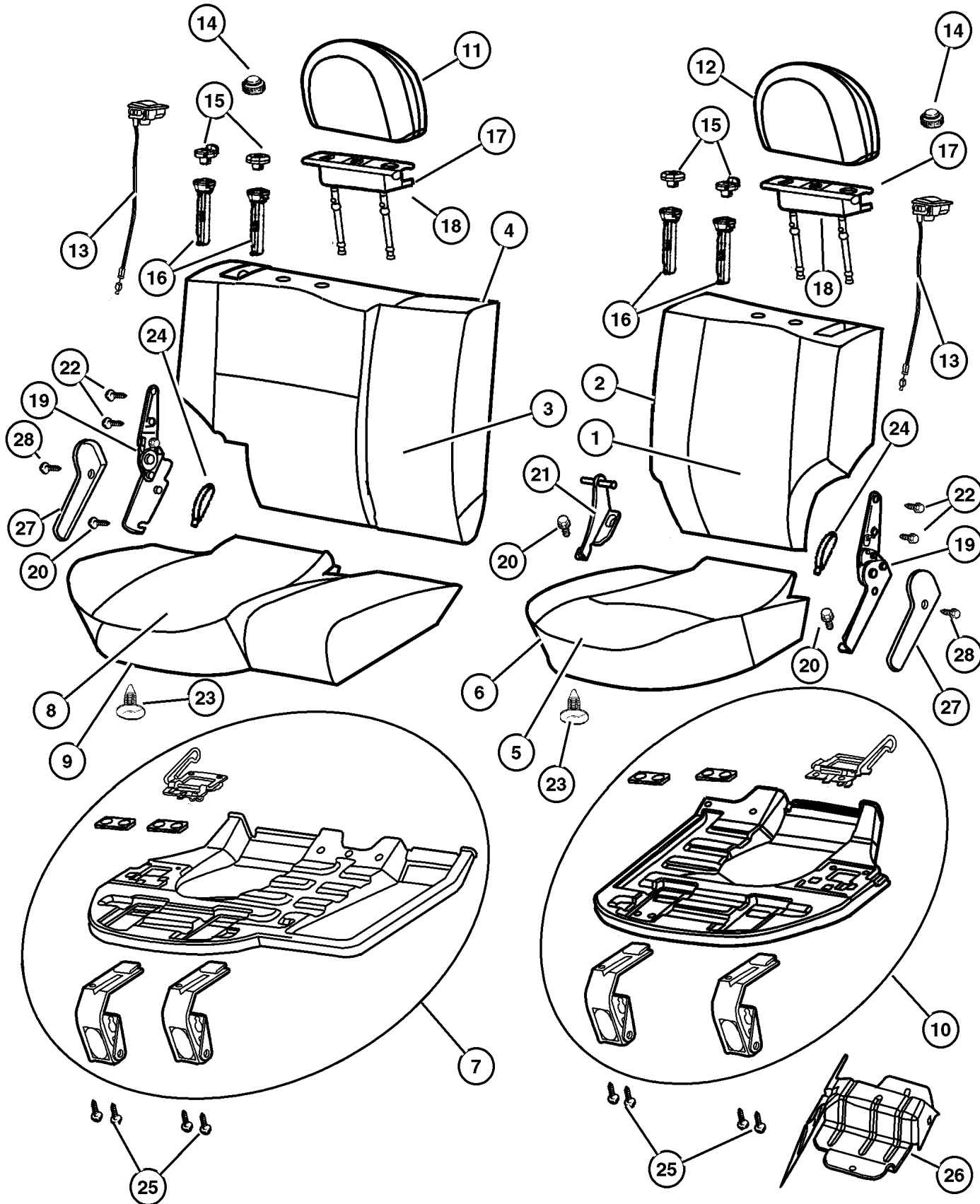
ITEM	PART NUMBER	QTY	LINE	SERIES	BODY	TRIM	DESCRIPTION
1	#WK67 1DBAA	1				NL	COVER, Rear Seat Back, 40%
2	#WK65 1DBAA	1				NL	SEAT BACK, Rear, 40%
3	#WK66 1DBAA	1				NL	COVER, Rear Seat Back, 60%
4	#WK64 1DBAA	1				NL	SEAT BACK, Rear, 60%
5	#WK63 1DBAA	1				NL	COVER, Rear Seat Cushion, 40%
6	#WK59 1DBAA	1				NL	CUSHION, Rear Seat, 40%
7	5013 119AA	1				NL	PANEL, Seat Cushion Base, 60%
8	#WK62 1DBAA	1				NL	COVER, Rear Seat Cushion, 60%
9	#WK58 1DBAA	1				NL	CUSHION, Rear Seat, 60%
10	5013 118AA	1				NL	PANEL, Seat Cushion Base, 40%
11	#WK68 1DBAA	1				NL	HEADREST, Rear, Right
12	#WK69 1DBAA	1				NL	HEADREST, Rear, Left
13	SX64 1DBAA	1				NL	CONTROL, SEAT RELEASE
14							HANDLE, Headrest
	5013 169AA	1				NL	Left
	5013 168AA	1				NL	Right
15							COVER, Headrest Sleeve
	UK04 1DBAA	1				NL	Without Button
	UK05 1DBAA	1				NL	With Button
16	5013 152AA	2				NL	CYLINDER, Headrest
17							BRACKET AND HINGE, Headrest
	5016 179AA	1				NL	Left
	5016 178AA	1				NL	Right
18							SHIELD, Headrest
	5016 921AA	1				NL	Left
	5016 920AA	1				NL	Right
19							LATCH, Seat
	#5080 270AA	1				NL	Right
	#5080 271AA	1				NL	Left
20	#6507 385AA	4					SCREW AND WASHER, Hex Head
21	#5080 268AA	1				NL	BRACKET, Pivot
22	4720 768	4				NL	BOLT, Recliner to Seat Back
23	5019 522AA	2				NL	RETAINER, Cushion Cover
24	SL00 1DBAA	1				NL	STRAP, Seat Pull
25	6100 558	8					BOLT AND CONED WASHER, Hex Head, M6x25x14
26							BRACKET, Seat
	55196 740AB	1					Rear Seat Cushion Latch, Right
	55196 741AD	1					Rear Seat Cushion Latch, Left
27							COVER, Seat latch
	UN70 1DVAA	1				NL	Right

JEEP GRAND CHEROKEE (WJ)
 SERIES LINE BODY ENGINE TRANSMISSION
 H = Laredo J = 4WD 74 = 4 Door ERH = 4.0L, Power Tech I-6 DGK = 4 Speed Autm, 42RE
 M = Sport T = 2WD EVA = 4.7L, Power Tech V8 DGQ = 5 Speed Automatic, 45RFE
 P = Limited EVC = 4.7L HO V8 MPI DG0 = All Automatic Transm
 S = Overland ERO = All 4.0L 6 Cyl Gas
 EVO = All 4.7L Gas

AR = Use as required - = Non illustrated part # = New this model year

May 1, 2002

Rear Seat, Trim Code [NL]
Figure IWJ-640



ITEM	PART NUMBER	QTY	LINE	SERIES	BODY	TRIM	DESCRIPTION
	UN71 1DVAA	1				NL	Left
28	5072 471AA	2				NL	RIVET

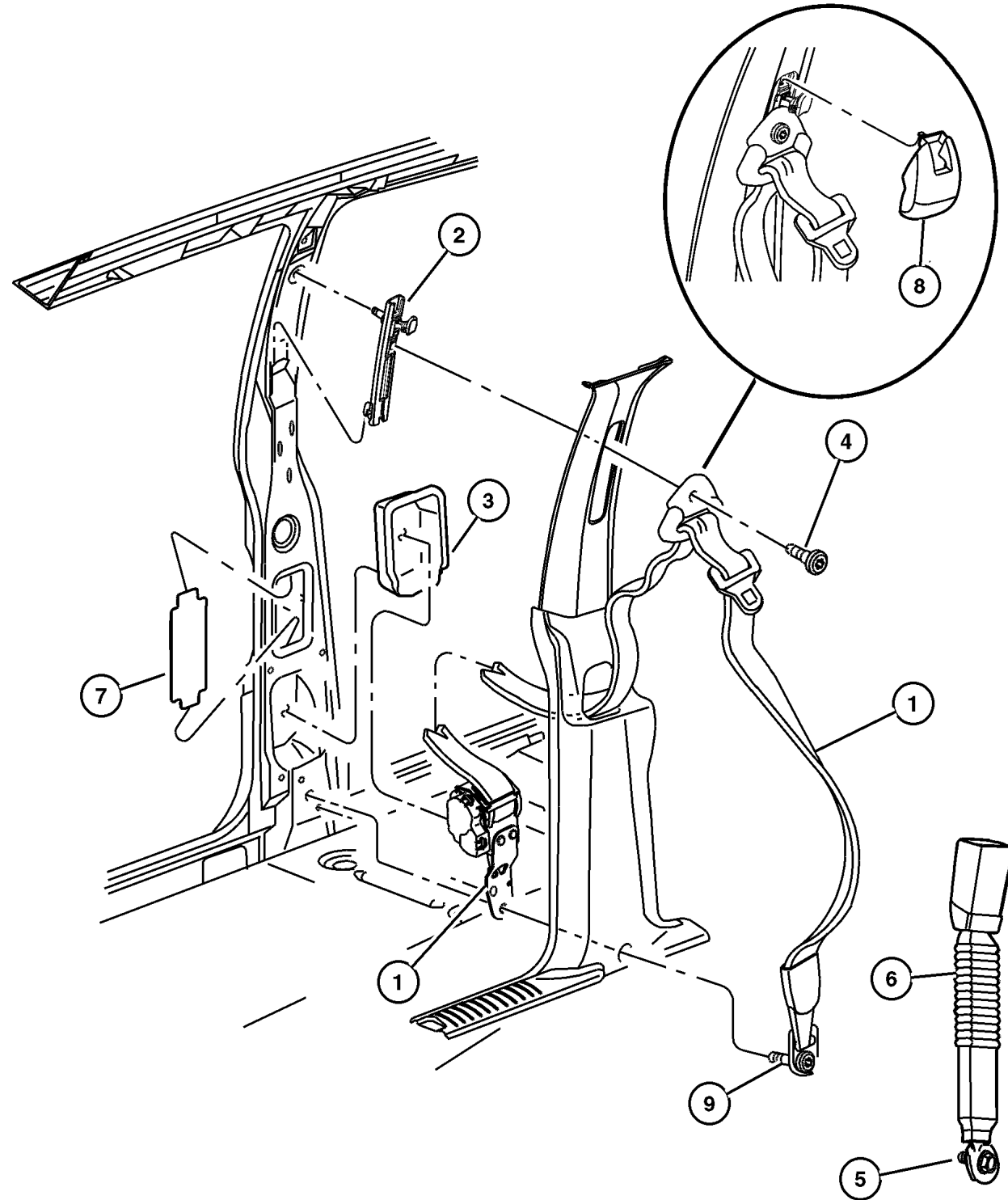
JEEP GRAND CHEROKEE (WJ)

SERIES	LINE	BODY	ENGINE	TRANSMISSION
H = Laredo	J = 4WD	74 = 4 Door	ERH = 4.0L, Power Tech I-6	DGK = 4 Speed Autm, 42RE
M = Sport	T = 2WD		EVA = 4.7L, Power Tech V8	DGQ = 5 Speed Automatic, 45RFE
P = Limited			EVC = 4.7L HO V8 MPI	DG0 = All Automatic Transm
S = Overland			ERO = All 4.0L 6 Cyl Gas	
			EVO = All 4.7I Gas	

AR = Use as required - = Non illustrated part # = New this model year

May 1, 2002

Front Seat
Figure IWJ-710



ITEM	PART NUMBER	QTY	LINE	SERIES	BODY	TRIM	DESCRIPTION
1							SEAT BELT, Front Outer
	#5GX99 1L5AA	1					[L5], Left
	#5GX99 XDVAA	1					[DB, DV], Left
	#5GX99 XT5AA	1					[T5], Left
	#5GY02 1L5AA	1					[L5], Right
	#5GY02 XDVAA	1					[DB, DV], Right
	#5GY02 XT5AA	1					[T5], Right
2							ADJUSTER, Seat Belt Turning Loop
	#5HP56 TL2AA	2					[DV, L5]
	#5HP56 XDBAA	2					[DB]
	#5HP56 XT5AA	2					[T5]
3							SHIELD, Seat Belt Retractor
	#55196 920AA	1					Right
	#55196 921AA	1					Left
4	6035 888	2					SCREW, Shoulder
5	6504 973AA	2					SCREW
6							SEAT BELT, Front Inner
	#5GY00 1DVAB	2					[DB, DV]
	#5GY00 1L5AB	2					[L5]
	#5GY00 1T5AB	2					[T5]
7	55116 545AB	2					SHIELD, Seat Belt Retractor
8							COVER, Adjustable Turning Loop
	#5GZ63 TL2AA	2					[L5, DV]
	#5GZ63 XDBAA	2					[DB]
	#5GZ63 XT5AA	2					[T5]
9	6504 867AA	1					SCREW
-10	5018 505AA	1					EXTENDER, Seat Belt

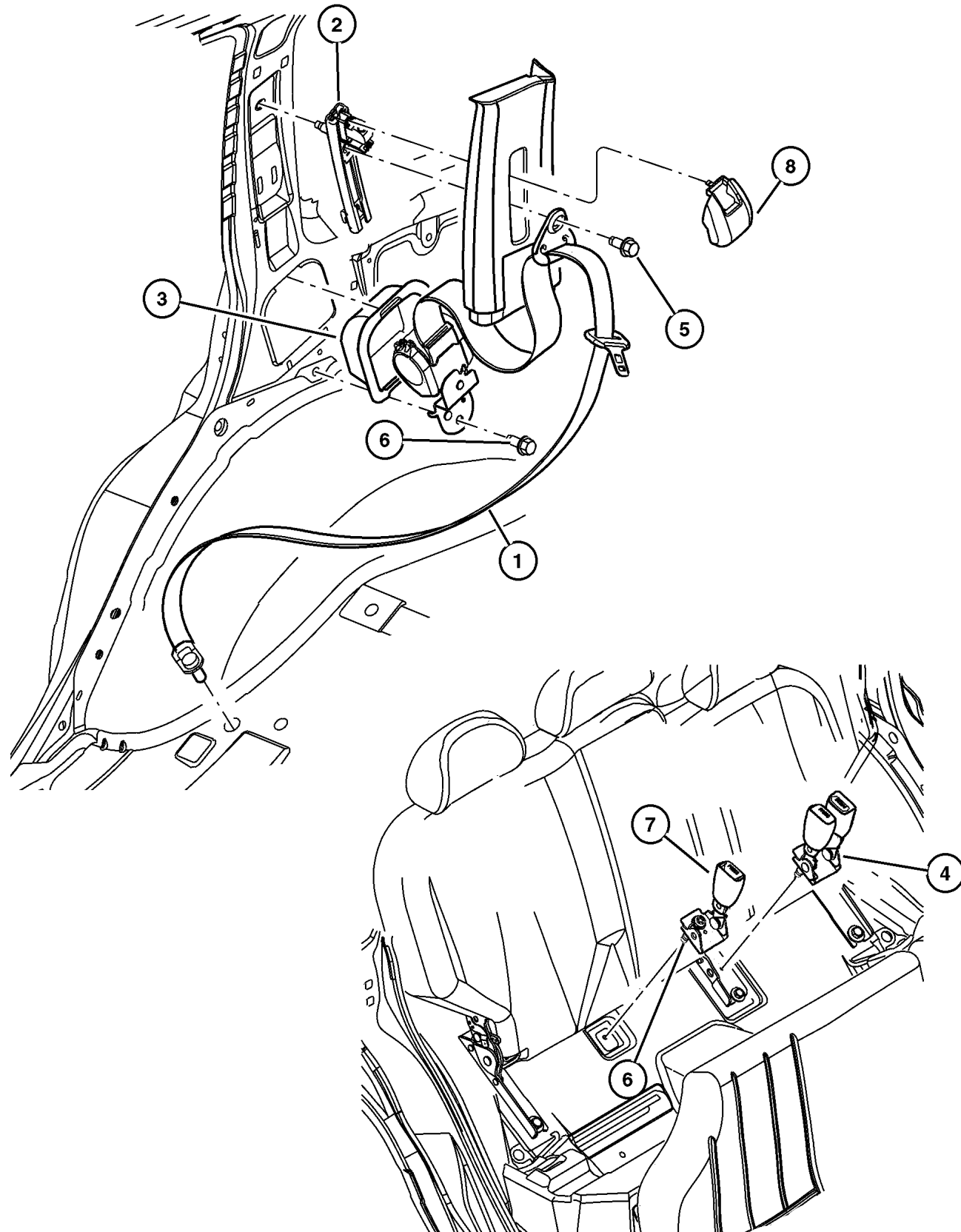
JEEP GRAND CHEROKEE (WJ)

SERIES	LINE	BODY	ENGINE	TRANSMISSION
H = Laredo	J = 4WD	74 = 4 Door	ERH = 4.0L, Power Tech I-6	DGK = 4 Speed Autm, 42RE
M = Sport	T = 2WD		EVA = 4.7L, Power Tech V8	DGQ = 5 Speed Automatic, 45RFE
P = Limited			EVC = 4.7L HO V8 MPI	DG0 = All Automatic Transm
S = Overland			ERO = All 4.0L 6 Cyl Gas	
			EVO = All 4.7I Gas	

AR = Use as required - = Non illustrated part # = New this model year

May 1, 2002

Rear Seat Belt
Figure IWJ-720



ITEM	PART NUMBER	QTY	LINE	SERIES	BODY	TRIM	DESCRIPTION
1							SEAT BELT, Rear Outer
	#5GY04 1L5AA	1					[L5], With Velcro, Right
	#5GY04 1L5AC	1					[L5], Without Velcro, Right
	#5GY04 XDVAA	1					[DB, DV], With Velcro, Right
	#5GY04 XDVAC	1					[DB, DV], Without Velcro, Right
	#5GY04 XT5AA	1					[T5], With Velcro, Right
	#5GY04 XT5AC	1					[T5], Without Velcro, Right
	#5GY05 1L5AA	1					[L5], With Velcro, Left
	#5GY05 1L5AC	1					[L5], Without Velcro, Left
	#5GY05 XDVAA	1					[DB, DV], With Velcro, Left
	#5GY05 XDVAC	1					[DB, DV], Without Velcro, Left
	#5GY05 XT5AA	1					[T5], With Velcro, Left
	#5GY05 XT5AC	1					[T5], Without Velcro, Left
2							ADJUSTER, Seat Belt Turning Loop
	55196 689AB	2					[DV, L5]
	#5HP56 TL2AA	2					[DB]
	#5HP56 XDBAA	2					[T5]
	#5HP56 XT5AA	2					[T5]
3	#55196 922AA	2					SHIELD, Seat Belt Retractor
4							SEAT BELT, Rear Inner, Left
	#5GY09 1DVAB	1					[DB, DV]
	#5GY09 1L5AB	1					[L5]
	#5GY09 1T5AB	1					[T5]
5	6035 888	2					SCREW, Shoulder
6	6505 286AA	2					SCREW
7							SEAT BELT, Rear Inner, Right
	#5GY08 1DVAB	1					[DB, DV]
	#5GY08 1L5AB	1					[L5]
	#5GY08 1T5AB	1					[T5]
8							COVER, Adjustable Turning Loop
	#5GZ63 TL2AA	2					[L5, DV]
	#5GZ63 XDBAA	2					[DB]
	#5GZ63 XT5AA	2					[T5]

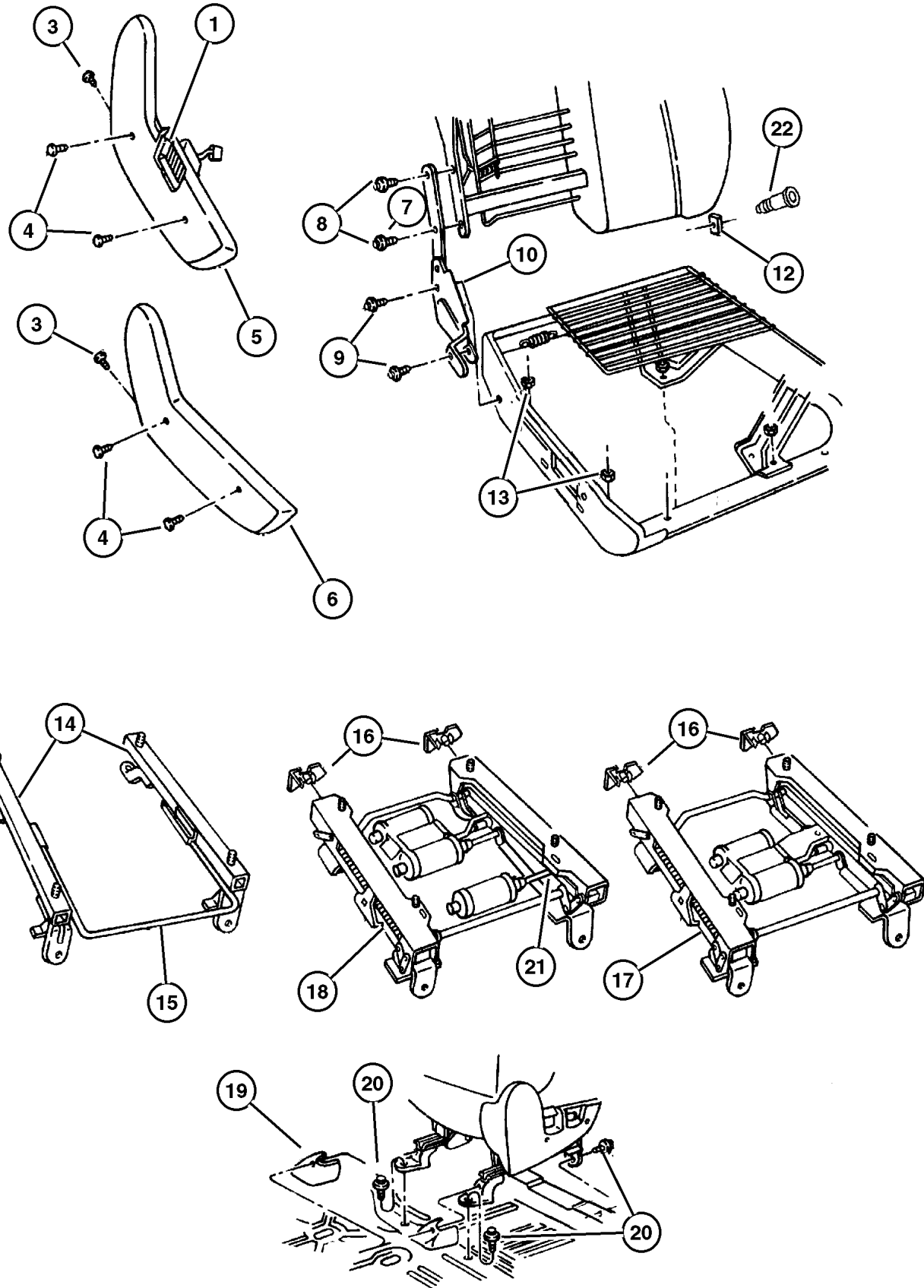
JEEP GRAND CHEROKEE (WJ)

SERIES	LINE	BODY	ENGINE	TRANSMISSION
H = Laredo	J = 4WD	74 = 4 Door	ERH = 4.0L, Power Tech I-6	DGK = 4 Speed Autm, 42RE
M = Sport	T = 2WD		EVA = 4.7L, Power Tech V8	DGQ = 5 Speed Automatic, 45RFE
P = Limited			EVC = 4.7L HO V8 MPI	DG0 = All Automatic Transm
S = Overland			ERO = All 4.0L 6 Cyl Gas	
			EVO = All 4.7I Gas	

AR = Use as required - = Non illustrated part # = New this model year

May 1, 2002

Recliner and Adjusters Figure IWJ-810



ITEM	PART NUMBER	QTY	LINE	SERIES	BODY	TRIM	DESCRIPTION
1							SWITCH, Seat
	4373 666	2				E7	6 Way Power, Without Power Recliner
		2				JL	6 Way Power, Without Power Recliner
		2				K7	6 Way Power, Without Power Recliner
	4601 756AB	1				NL	10 Way Power, With Power Recliner, Right
	4601 757AB	1				NL	10 Way Power, With Power Recliner, Left
	4601 756AB	1				XL	10 Way Power, With Power Recliner, Right
	4601 757AB	1				XL	10 Way Power, With Power Recliner, Left
	4373 666	1				XL	6 Way Power, Without Power Recliner
-2							KNOB, Power Seat Switch
	4607 042	1				JL	With Arrows, Right
		1				XL	With Arrows
		1				NL	With Arrows
	4607 042AB	1				NL	Without Arrows, Right
		1				XL	Without Arrows, Right
	4607 043	1				NL	With Arrows, Left
		1				JL	With Arrows, Left
		1				XL	With Arrows, Left
	4607 043AB	1				XL	Without Arrows, Left
		1				NL	Without Arrows, Left
3							SCREW, Trim
	4720 769	2				E7	
		2				JL	
		2				NL	
		2				XL	
4							SCREW, Trim
	4720 770	4				E7	
		4				JL	
		4				NL	
		4				XL	
5							SHIELD, Seat Adjuster
	SL07 1T5AA	1				E7	[T5], 6 Way Power, Left
	SL07 1L5AA	1				E7	[L5], 6 Way Power, Left
	SL07 1DVAA	1				E7	[DV], 6 Way Power, Left
	SL06 1T5AA	1				E7	[T5], 6 Way Power, Right
	SL06 1L5AA	1				E7	[L5], 6 Way Power, Right
	SL06 1DVAA	1				E7	[DV], 6 Way Power, Right
	SL07 1T5AA	1				JL	[T5], 6 Way Power, Left
	SL07 1L5AA	1				JL	[L5], 6 Way Power, Left
	SL07 1DVAA	1				JL	[DV], 6 Way Power, Left
	SL06 1T5AA	1				JL	[T5], 6 Way Power, Right

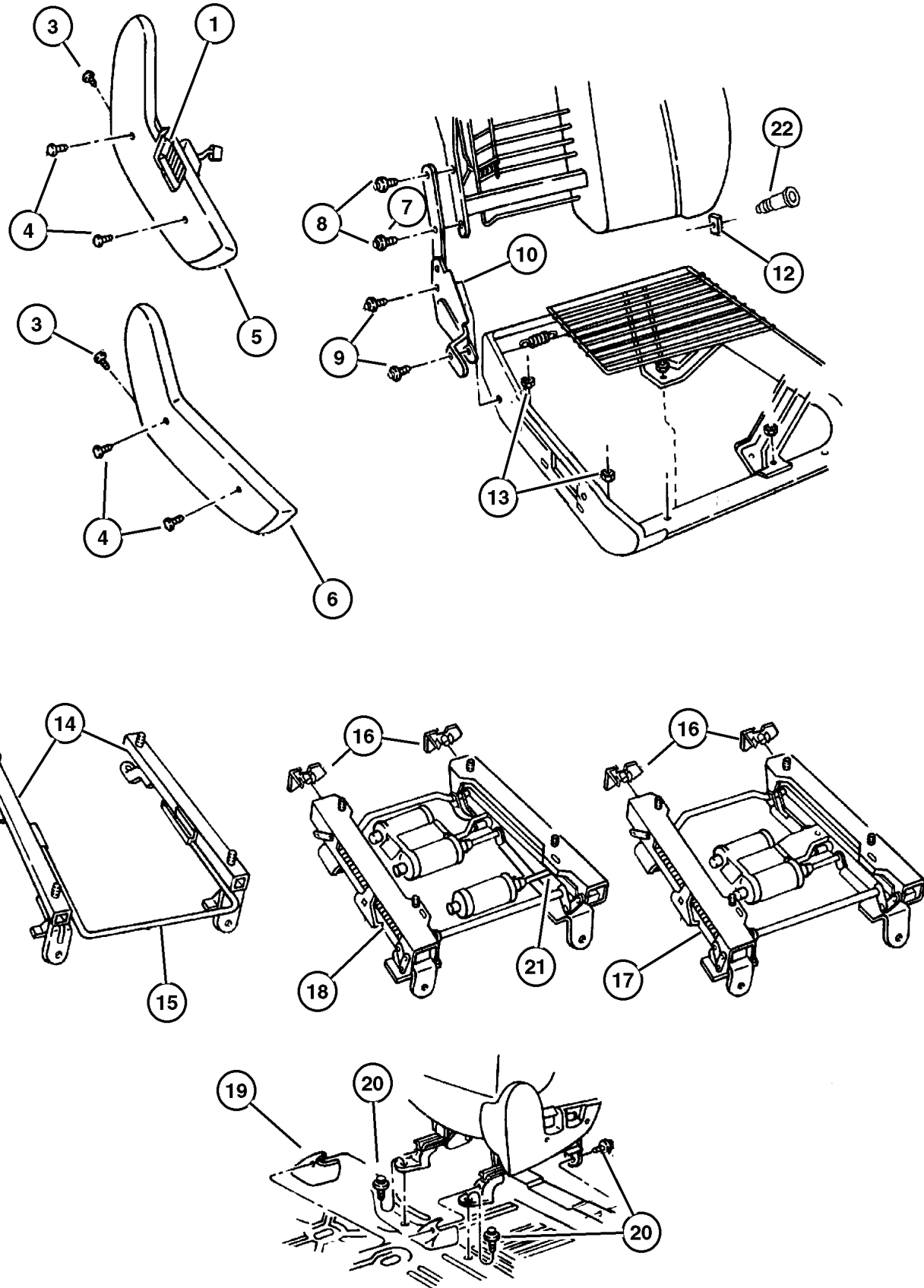
JEEP GRAND CHEROKEE (WJ)

SERIES	LINE	BODY	ENGINE	TRANSMISSION
H = Laredo	J = 4WD	74 = 4 Door	ERH = 4.0L, Power Tech I-6	DGK = 4 Speed Autm, 42RE
M = Sport	T = 2WD		EVA = 4.7L, Power Tech V8	DGQ = 5 Speed Automatic, 45RFE
P = Limited			EVC = 4.7L HO V8 MPI	DG0 = All Automatic Transm
S = Overland			ERO = All 4.0L 6 Cyl Gas	
			EVO = All 4.7L Gas	

AR = Use as required - = Non illustrated part # = New this model year

May 1, 2002

Recliner and Adjusters Figure IWJ-810



ITEM	PART NUMBER	QTY	LINE	SERIES	BODY	TRIM	DESCRIPTION
	SL06 1L5AA	1				JL	[L5], 6 Way Power, Right
	SL06 1DVAA	1				JL	[DV], 6 Way Power, Right
	SL04 1DVAA	1				NL	10 Way Power, Right
	SL05 1DVAA	1				NL	10 Way Power, Left
	SL04 1L5AA	1				XL	[L5], 10 Way Power, Right
	SL04 1DVAA	1				XL	[DV], 10 Way Power, Right
	SL04 1T5AA	1				XL	[T5], 10 Way Power, Right
	SL05 1DVAA	1				XL	[DV], 10 Way Power, Left
	SL05 1T5AA	1				XL	[T5], 10 Way Power, Left
	SL05 1L5AA	1				XL	[L5], 10 Way Power, Left
6							SHIELD, Seat Adjuster
	SL03 1T5AA	1				E7	[T5], Left,Manual
	SL03 1L5AA	1				E7	[L5], Left,Manual
	SL03 1DVAA	1				E7	[DV], Left,Manual
	SL02 1T5AA	1				E7	[T5], Right,Manual
	SL02 1DVAA	1				E7	[DV], Right,Manual
	SL02 1L5AA	1				E7	[L5], Right,Manual
7							BOLT, Recliner to Seat Back, Manual Upper
	4720 768	4				E7	
		4				JL	
8							BOLT, Power Recliner
	4882 903	8				E7	
		8				JL	
		8				NL	
		8				XL	
9	4796 793	4				E7	BOLT, Recliner To Cushion, Front Seat
10							RECLINER, Seat Back
	4796 714	1				E7	Includes Handle, Right,Manual
	4796 715	1				E7	Includes Handle, Left,Manual
	5080 510AA	1				NL	Power Without Memory
		1				JL	Power Without Memory, Right
		1				XL	Power Without Memory, Right
	5080 511AA	1				JL	Power Without Memory, Left
	5080 513AA	1				NL	Power With Memory
		1				XL	Power With Memory, Left
-11							KNOB, Power Seat Switch, Power Recliner
	4607 044	1				NL	With Arrows, Right
		1				XL	With Arrows, Right
		1				JL	With Arrows, Right
	4607 044AB	1				XL	Without Arrows, Right
		1				NL	Without Arrows, Left

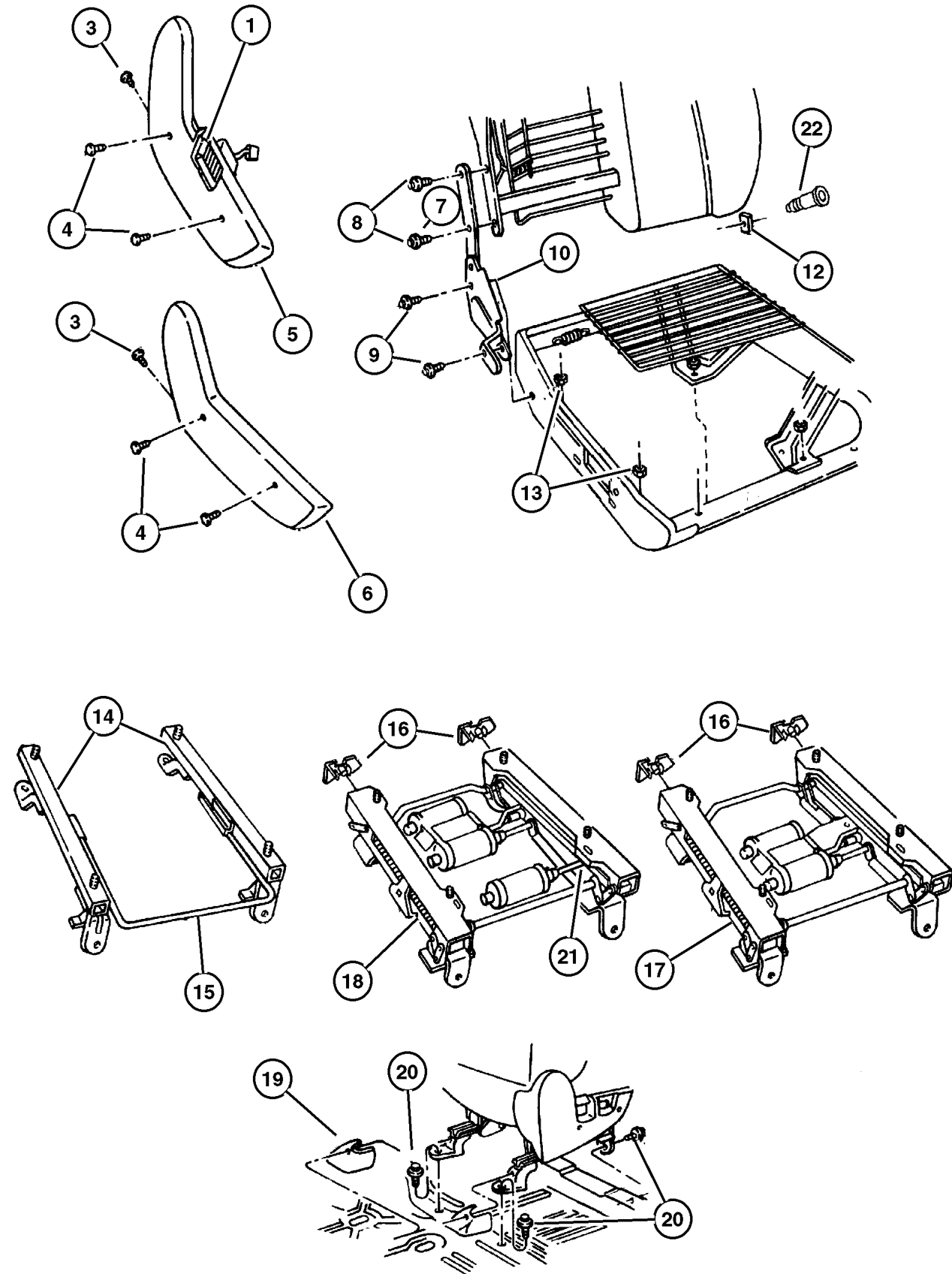
JEEP GRAND CHEROKEE (WJ)

SERIES	LINE	BODY	ENGINE	TRANSMISSION
H = Laredo	J = 4WD	74 = 4 Door	ERH = 4.0L, Power Tech I-6	DGK = 4 Speed Autm, 42RE
M = Sport	T = 2WD		EVA = 4.7L, Power Tech V8	DGQ = 5 Speed Automatic, 45RFE
P = Limited			EVC = 4.7L HO V8 MPI	DG0 = All Automatic Transm
S = Overland			ERO = All 4.0L 6 Cyl Gas	
			EVO = All 4.7L Gas	

AR = Use as required - = Non illustrated part # = New this model year

May 1, 2002

Recliner and Adjusters Figure IWJ-810



ITEM	PART NUMBER	QTY	LINE	SERIES	BODY	TRIM	DESCRIPTION
	4607 045	1				JL	With Arrows, Left
		1				XL	With Arrows, Left
		1				NL	With Arrows, Left
	4607 045AB	1				NL	Without Arrows, Right
		1				XL	Without Arrows, Left
12							U-NUT, Seat Back
	4713 982	1				E7	
		1				JL	
		1				NL	
		1				XL	
13	6101 467	2					NUT, Hex Flange, M8x1.25
14							ADJUSTER, Manual Seat
	5015 564AA	1				E7	Right,Outboard
	5015 565AA	1				E7	Left,Outboard
	5015 566AA	1				E7	Right,Inboard
	5015 567AA	1				E7	Left,Inboard
15	4713 930	2				E7	HANDLE, Seat Release
16							SHIELD, Seat Adjuster
	4723 888	2				E7	Driver Inboard, Passenger Outboard
	4723 889	2				E7	Driver Outboard, Passenger Inboard
	4723 888	2				JL	Driver Inboard, Passenger Outboard
	4723 889	2				JL	Driver Outboard, Passenger Inboard
		2				NL	Driver Outboard, Passenger Inboard
	4723 888	2				NL	Driver Inboard, Passenger Outboard
		2				XL	Driver Inboard, Passenger Outboard
	4723 889	2				XL	Driver Outboard, Passenger Inboard
17							ADJUSTER, Power Seat, Without Memory
	5015 571AA	1				E7	Left
	5015 570AA	1				E7	Right
	5015 571AA	1				JL	Left
	5015 570AA	1				JL	Right
		1				NL	Right
		1				XL	Right
18							ADJUSTER, Power Seat, With Memory
	5015 569AA	1				NL	
		1				XL	
19							COVER, Power Seat Track
	5FZ19 WL8AA	4					[L5]
	5FZ19 XTMAA	4					[T5]
	5FZ19 XDVAA	4					[DB, DV]
20	6505 040AA	8					SCREW, Hex Head, M10x1.5x40
21							BRACKET, Module, With Memory

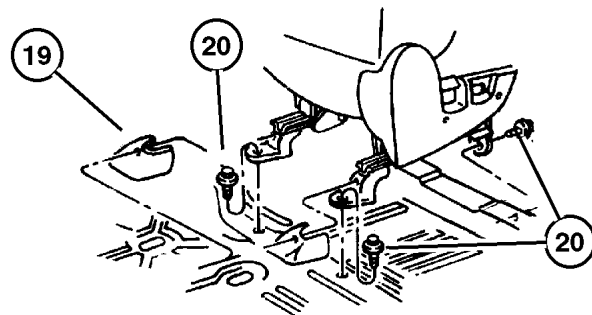
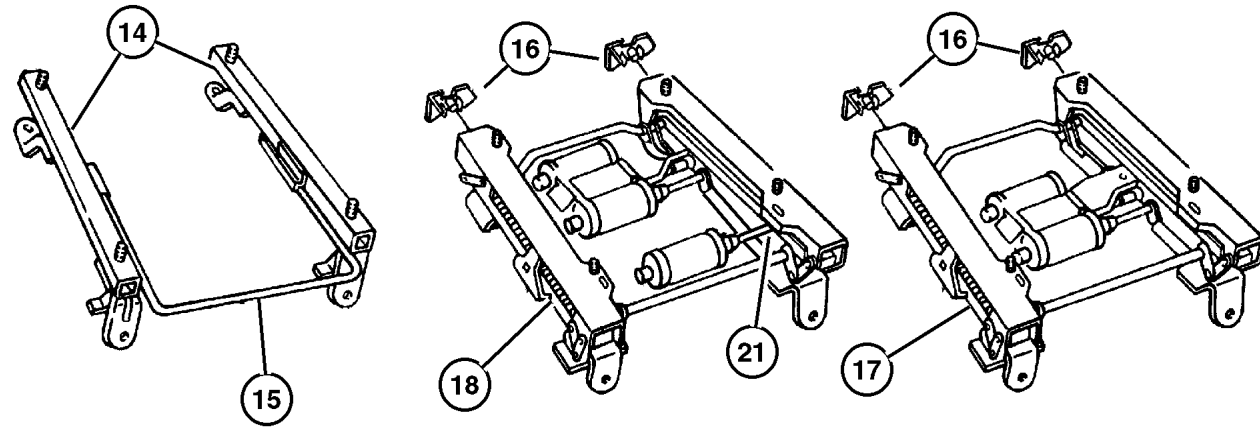
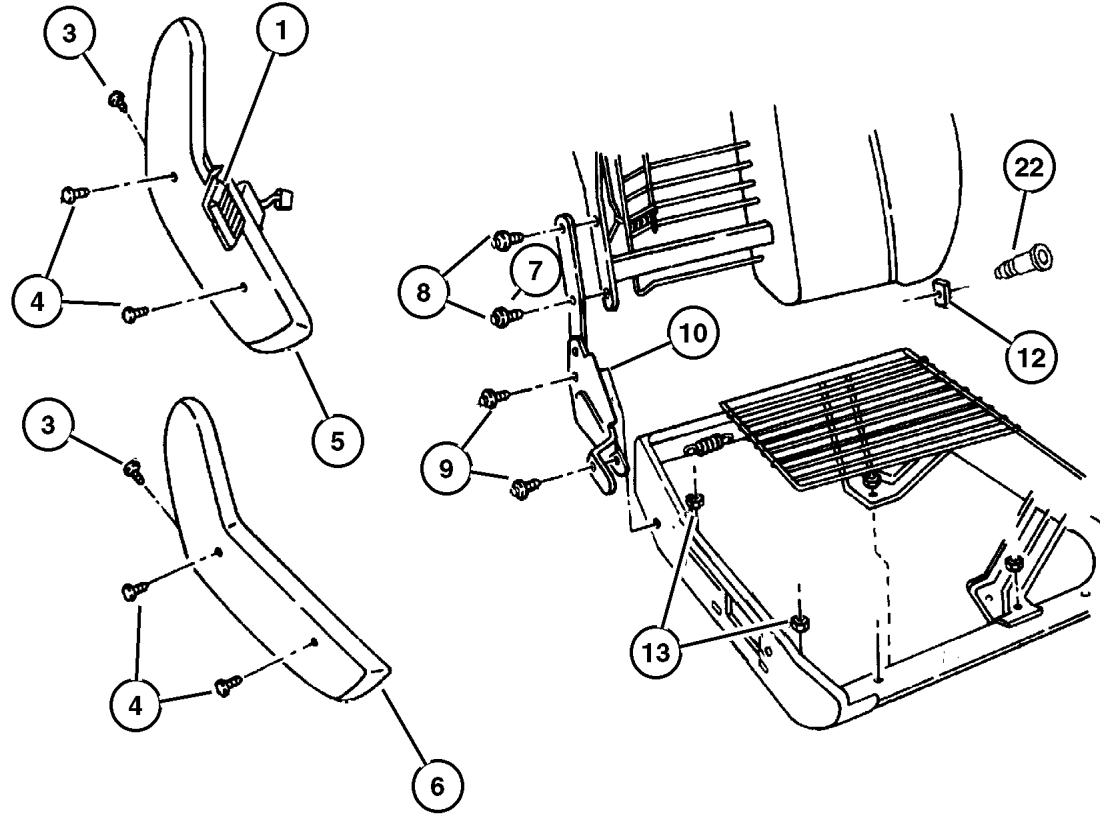
JEEP GRAND CHEROKEE (WJ)

SERIES	LINE	BODY	ENGINE	TRANSMISSION
H = Laredo	J = 4WD	74 = 4 Door	ERH = 4.0L, Power Tech I-6	DGK = 4 Speed Autm, 42RE
M = Sport	T = 2WD		EVA = 4.7L, Power Tech V8	DGQ = 5 Speed Automatic, 45RFE
P = Limited			EVC = 4.7L HO V8 MPI	DG0 = All Automatic Transm
S = Overland			ERO = All 4.0L 6 Cyl Gas	
			EVO = All 4.7l Gas	

AR = Use as required - = Non illustrated part # = New this model year

May 1, 2002

Recliner and Adjusters Figure IWJ-810



ITEM	PART NUMBER	QTY	LINE	SERIES	BODY	TRIM	DESCRIPTION
	5013 125AA	1				JL	
		1				NL	
		1				XL	
22							BOLT, Shoulder, I.B.-Back To Cushion-Pivot
	5016 212AA	2				E7	
		2				NL	
		2				XL	

JEEP GRAND CHEROKEE (WJ)

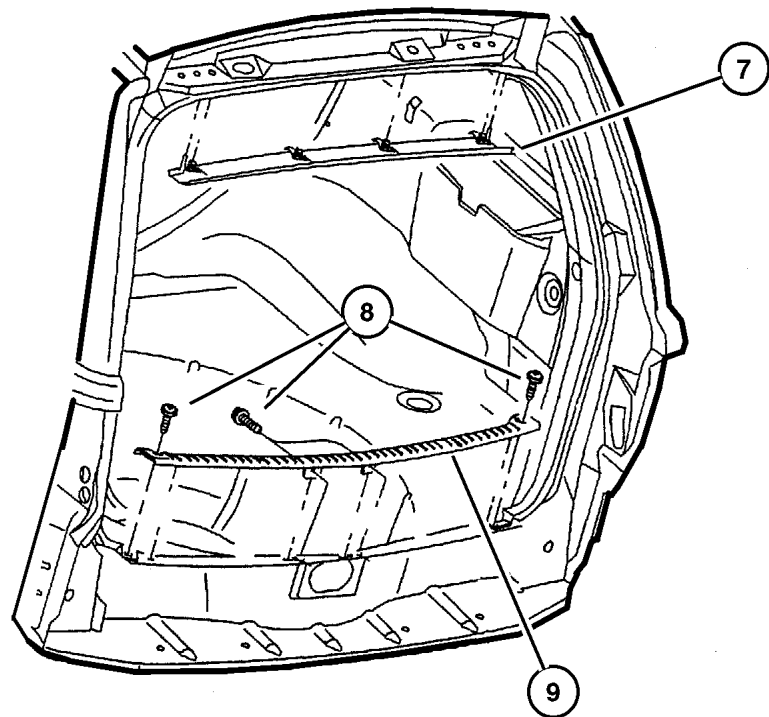
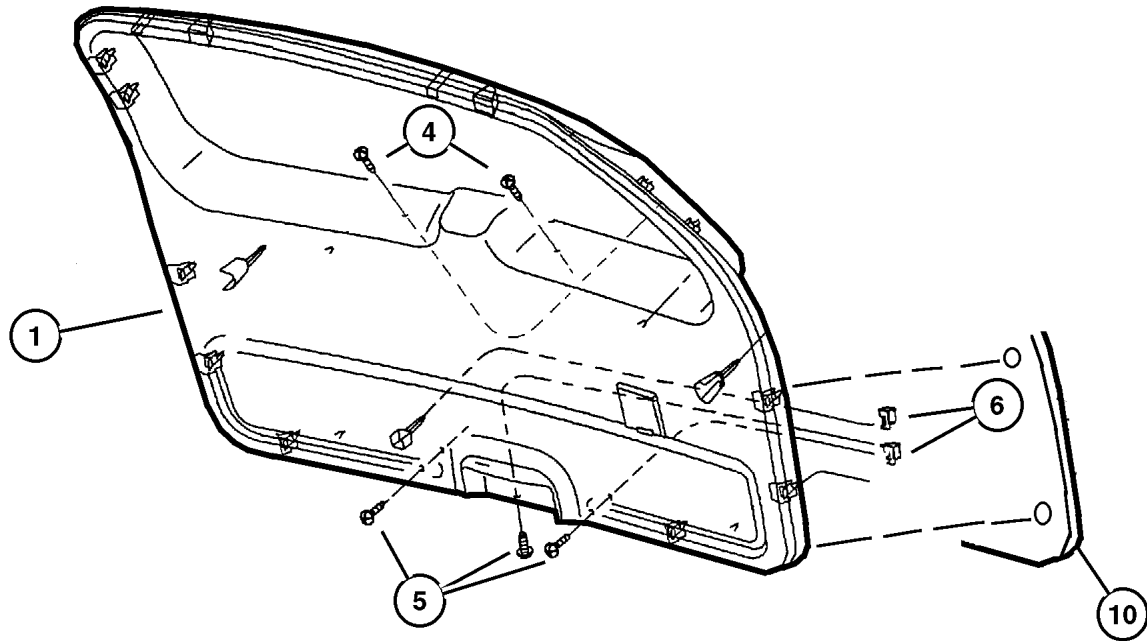
SERIES	LINE	BODY	ENGINE	TRANSMISSION
H = Laredo	J = 4WD	74 = 4 Door	ERH = 4.0L, Power Tech I-6	DGK = 4 Speed Autm, 42RE
M = Sport	T = 2WD		EVA = 4.7L, Power Tech V8	DGQ = 5 Speed Automatic, 45RFE
P = Limited			EVC = 4.7L HO V8 MPI	DG0 = All Automatic Transm
S = Overland			ERO = All 4.0L 6 Cyl Gas	
			EVO = All 4.7I Gas	

AR = Use as required - = Non illustrated part # = New this model year

May 1, 2002

Liftgate Panel and Scuff Plate
Figure IWJ-1010

ITEM	PART NUMBER	QTY	LINE	SERIES	BODY	TRIM	DESCRIPTION
1							PANEL, Liftgate
	5FS80 WL5AG	1					[L5]
	5FS80 XDVAG	1					[DB, DV]
	5FS80 XT5AG	1					[T5]
-2	6502 991	6					FASTENER, M7.1 Hole Push In, For M7.1 Hole
-3	6503 709	4					PIN, Door Panel
4							SCREW AND WASHER, [.164-15x2.20]~~, (NOT SERVICED)
5	6032 723	3					SCREW, Self Tapping, M4.2x1.69x19.05
6							NUT, M4.2X1.70 ~~ , (NOT SERVICED)
7							PANEL, Liftgate
	5FA67 WL5AC	1					[L5]
	5FA67 XT5AC	1					[T5]
	5FA67 XDVAC	1					[DB, DV]
8							SCREW, [.164-18X.625]~~, (NOT SERVICED)
9							PLATE, Liftgate Scuff
	5FS82 WL5AC	1					[L5]
	5FS82 XT5AC	1					[T5]
	5FS82 XDVAC	1					[DB, DV]
10	55136 185AC	1					INSULATION, liftgate



JEEP GRAND CHEROKEE (WJ)

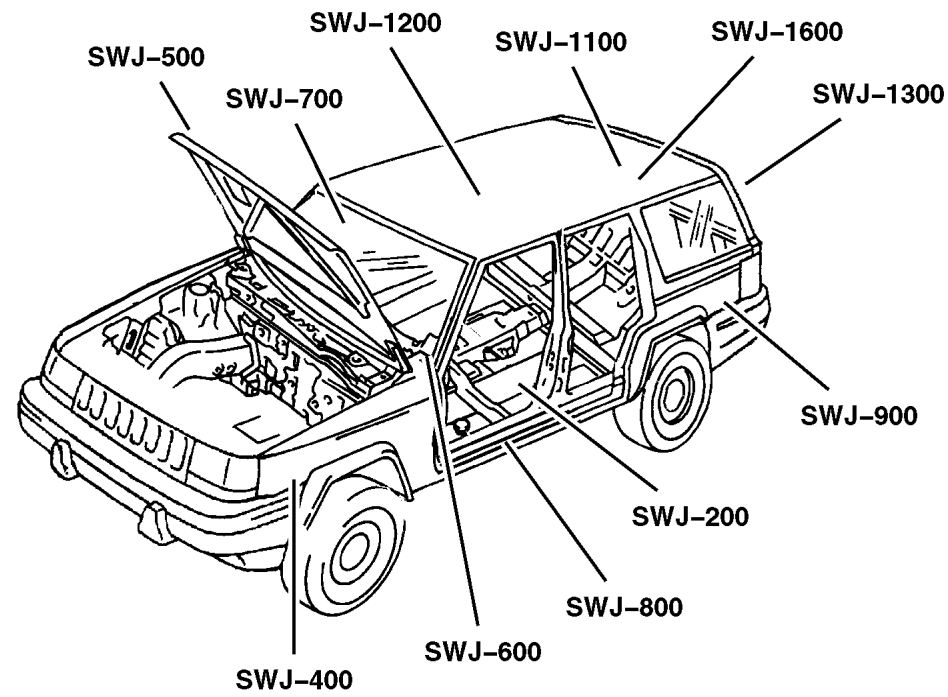
SERIES	LINE	BODY	ENGINE	TRANSMISSION
H = Laredo	J = 4WD	74 = 4 Door	ERH = 4.0L, Power Tech I-6	DGK = 4 Speed Autm, 42RE
M = Sport	T = 2WD		EVA = 4.7L, Power Tech V8	DGQ = 5 Speed Automatic, 45RFE
P = Limited			EVC = 4.7L HO V8 MPI	DG0 = All Automatic Transm
S = Overland			ERO = All 4.0L 6 Cyl Gas	
			EVO = All 4.7l Gas	

AR = Use as required - = Non illustrated part # = New this model year

May 1, 2002

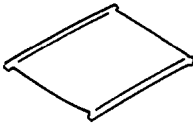

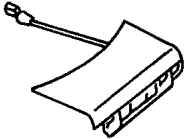

Group – SWJ

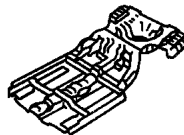

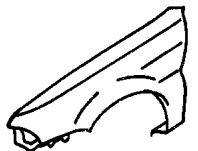
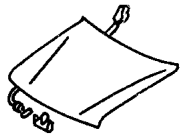
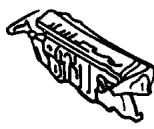

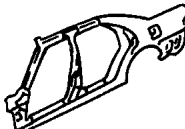
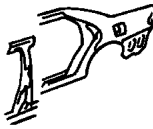
Body Sheet Metal Except Doors



Group – SWJ

Body Sheet Metal Except Doors

<p>SWJ-1100 Roof Panels</p> 	<p>SWJ-1200 Sunroof</p> 	<p>SWJ-1300 Liftgate Panel</p> 	<p>SWJ-1600 Luggage Rack</p> 
--	--	---	---

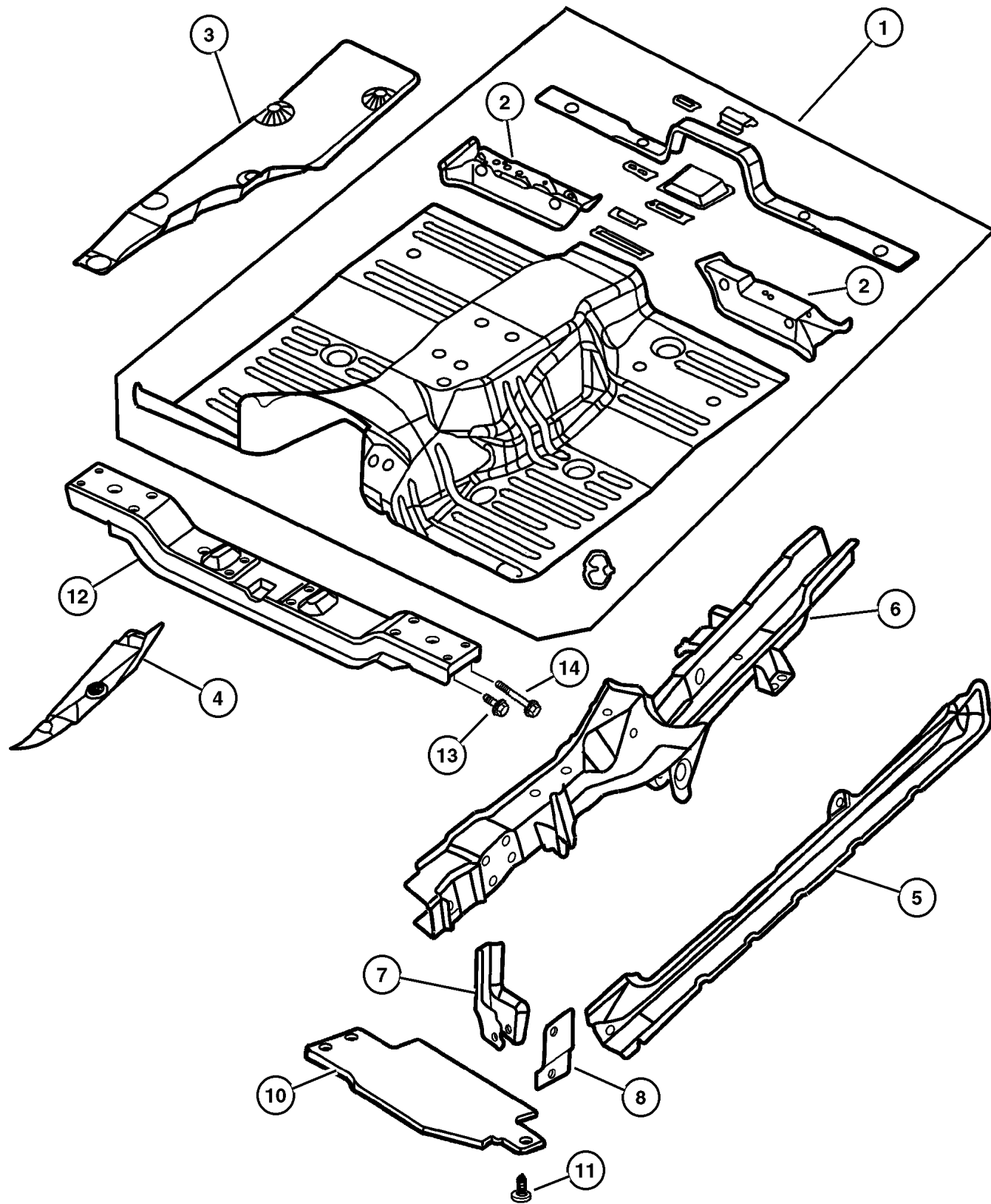
<p>SWJ-200 Floor Pans</p> 	<p>SWJ-300 Plugs</p> 	<p>SWJ-400 Front Fenders</p> 	<p>SWJ-500 Hood and Hood Release</p> 
<p>SWJ-600 Cowl and Dash Panel</p> 	<p>SWJ-700 Glass and Rear View Mirror</p> 	<p>SWJ-800 Aperture Panel</p> 	<p>SWJ-900 Quarter Panel and Pillars</p> 

GROUP SWJ - Body Sheet Metal Except Doors

Illustration Title	Group-Fig. No.
Floor Pans	
Front Floor Pan	Fig. SWJ-210
Center and Rear Floor Pan	Fig. SWJ-220
Plugs	
Plugs	Fig. SWJ-310
Front Fenders	
Front Fender	Fig. SWJ-410
Hood and Hood Release	
Hood, Latch, Hinges	Fig. SWJ-510
Cowl and Dash Panel	
Panels, Cowl and Dash	Fig. SWJ-610
Insulation, Dash And Cowl	Fig. SWJ-620
Glass and Rear View Mirror	
Glass, Windshield, Backlite, Quarter Window, Rear View Mirror	Fig. SWJ-710
Aperture Panel	
Panels, Body Side	Fig. SWJ-810
Quarter Panel and Pillars	
Panels, Rear Quarter	Fig. SWJ-910
Roof Panels	
Panels, Roof	Fig. SWJ-1110
Sunroof	
Sunroof	Fig. SWJ-1210
Liftgate Panel	
Liftgate, Latch and Hinges	Fig. SWJ-1310
Luggage Rack	
Roof Rack	Fig. SWJ-1610



Front Floor Pan
Figure SWJ-210



ITEM	PART NUMBER	QTY	LINE	BODY	DESCRIPTION
1	#55137 188AB	1			PAN, Floor
2					REINFORCEMENT, Front Seat
	55136 340AD	1			Right
	55136 341AD	1			Left
3	#55137 210AC	1			SHIELD, Heat
4	#55135 712AF	1			SHIELD, Heat, Tunnel
5					SILL, Body Side
	#55137 180AA	1			Right
	#55137 181AA	1			Left
6					RAIL, Frame Side
	#5012 524AE	1			Right
	#5012 525AE	1			Left
7	5513 6317	1			BRACKET, Track Bar, Inner
8	5513 6319	1			BRACKET, Track Bar, Outer
-9	6101 916	2			NUT, Hex Weld, M8x1.25
10	5513 5781	1			SHIELD, Splash
11	6034 608	4			PIN, Headline
12	52058 940AB	1			CROSSMEMBER, Transmission
13	6506 000AA	4			SCREW AND WASHER
14	6505 671AA	4			SCREW AND WASHER

JEEP GRAND CHEROKEE (WJ)

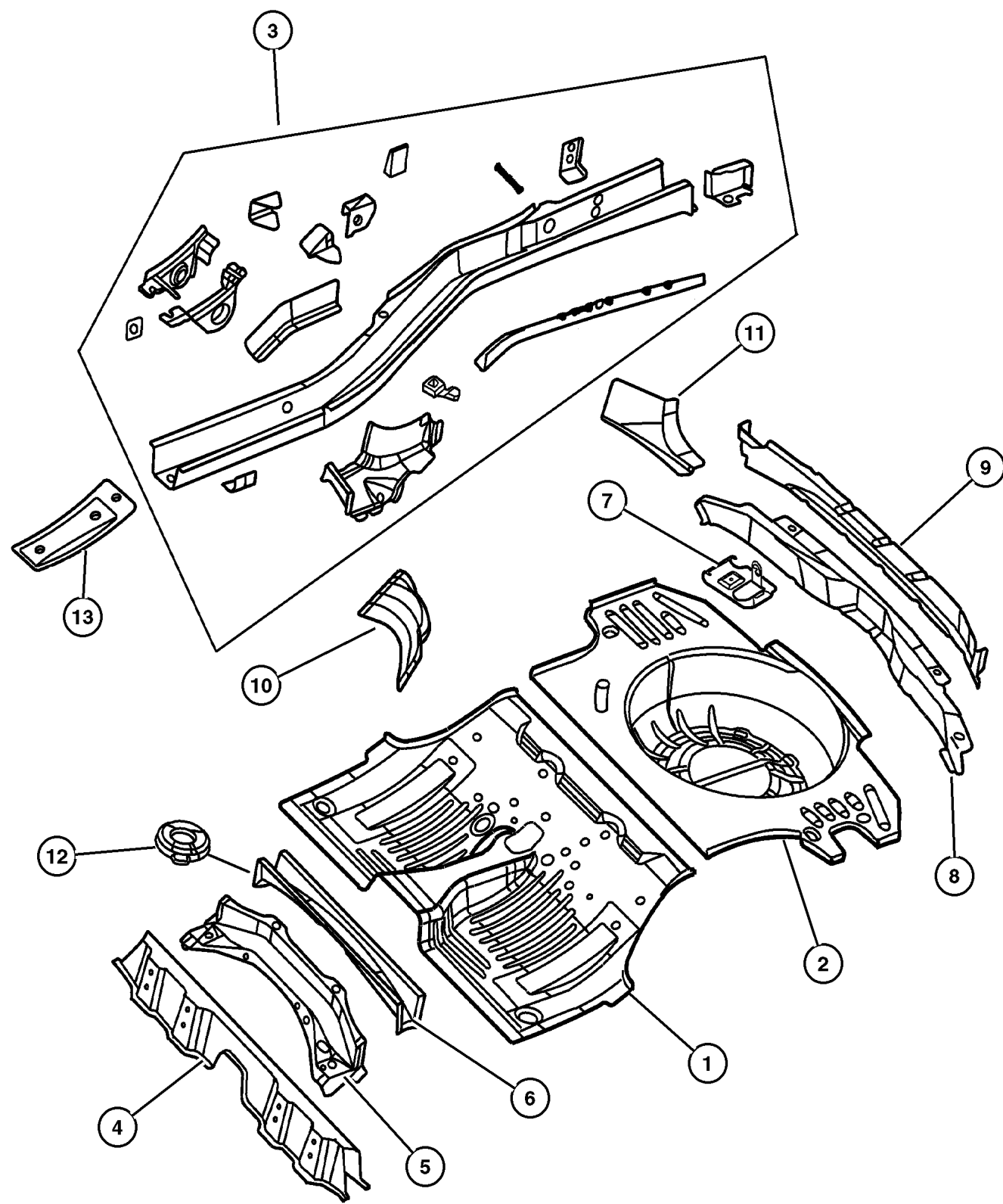
SERIES	LINE	BODY	ENGINE	TRANSMISSION
H = Laredo	J = 4WD	74 = 4 Door	ERH = 4.0L, Power Tech I-6	DGK = 4 Speed Autm, 42RE
M = Sport	T = 2WD		EVA = 4.7L, Power Tech V8	DGQ = 5 Speed Automatic, 45RFE
P = Limited			EVC = 4.7L HO V8 MPI	DG0 = All Automatic Transm
S = Overland			ERO = All 4.0L 6 Cyl Gas	
			EVO = All 4.7I Gas	

AR = Use as required - = Non illustrated part # = New this model year

May 1, 2002

**Center and Rear Floor Pan
Figure SWJ-220**

ITEM	PART NUMBER	QTY	LINE	BODY	DESCRIPTION
1	#55137 230AB	1			PAN, Floor
2	55136 377AE	1			PAN, Rear Floor
3					RAIL, Rear Floor Pan Side
	#5073 930AA	1			Right
	#5073 931AA	1			Left
4	55136 163AE	1			CROSSMEMBER, Rear Floor
5	#55137 211AD	1			CROSSMEMBER, Rear Floor Pan Front
6	#55363 143AB	1			CROSSMEMBER, Rear Floor
7	55295 800AD	1			BRACKET, Jack
8	55136 558AE	1			CROSSMEMBER, Rear Floor
9	55136 179AD	1			CROSSMEMBER, Rear Floor
10	55136 160AE	1			SHIELD, Fuel Tank
11					GUSSET, Side Member
	55135 504AC	1			Right
	55135 505AC	1			Left
12	#5014 781AB	1			GUIDE, Rear Spring, None
13	#55137 222AA	2			REINFORCEMENT, Rear Floor Pan Rear Rail



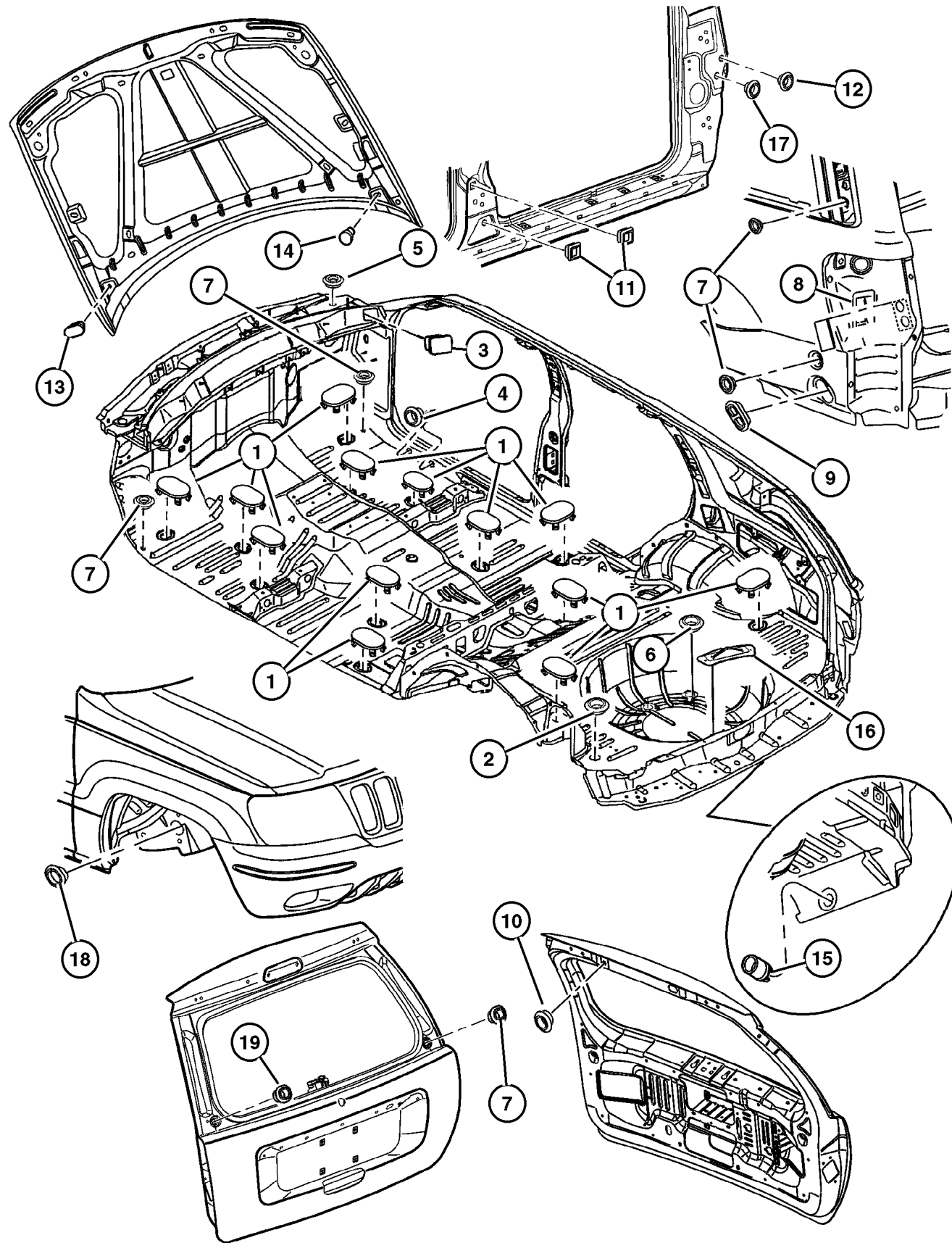
JEEP GRAND CHEROKEE (WJ)

SERIES	LINE	BODY	ENGINE	TRANSMISSION
H = Laredo	J = 4WD	74 = 4 Door	ERH = 4.0L, Power Tech I-6	DGK = 4 Speed Autm, 42RE
M = Sport	T = 2WD		EVA = 4.7L, Power Tech V8	DGQ = 5 Speed Automatic, 45RFE
P = Limited			EVC = 4.7L HO V8 MPI	DG0 = All Automatic Transm
S = Overland			ERO = All 4.0L 6 Cyl Gas	
			EVO = All 4.7I Gas	

AR = Use as required - = Non illustrated part # = New this model year

May 1, 2002

Plugs Figure SWJ-310



ITEM	PART NUMBER	QTY	LINE	BODY	DESCRIPTION
1	4580 343	13			PLUG, Floor Pan
2	2424 864	1			PLUG, Body, 1.75 Diameter
3	55136 507AB	1			PLUG, Body, Cowl Top
4	55257 380AA	12			PLUG
5	55136 456AB	1			PLUG, Body
6	55136 594AA	1			PLUG, Body
7	4440 294	7			PLUG, Rear Fascia
8	55136 948AA	2			TAPE, Body Side
9	55136 562AB	2			PLUG, Body
10	5255 217	1			PLUG, Dash Panel
11	55136 566AA	4			PLUG, Body
12	55136 859AA	2			PLUG
13	55136 755AA	1			PLUG, Body
14	55136 752AA	1			PLUG, Body
15	55135 856AB	2			PLUG, Body
16	55136 844AE	1			PLUG, Floor
17	55136 860AA	2			PLUG
18	55136 945AA	2			PLUG, Body
19	5255 216	1			PLUG, Body, .875 Diameter

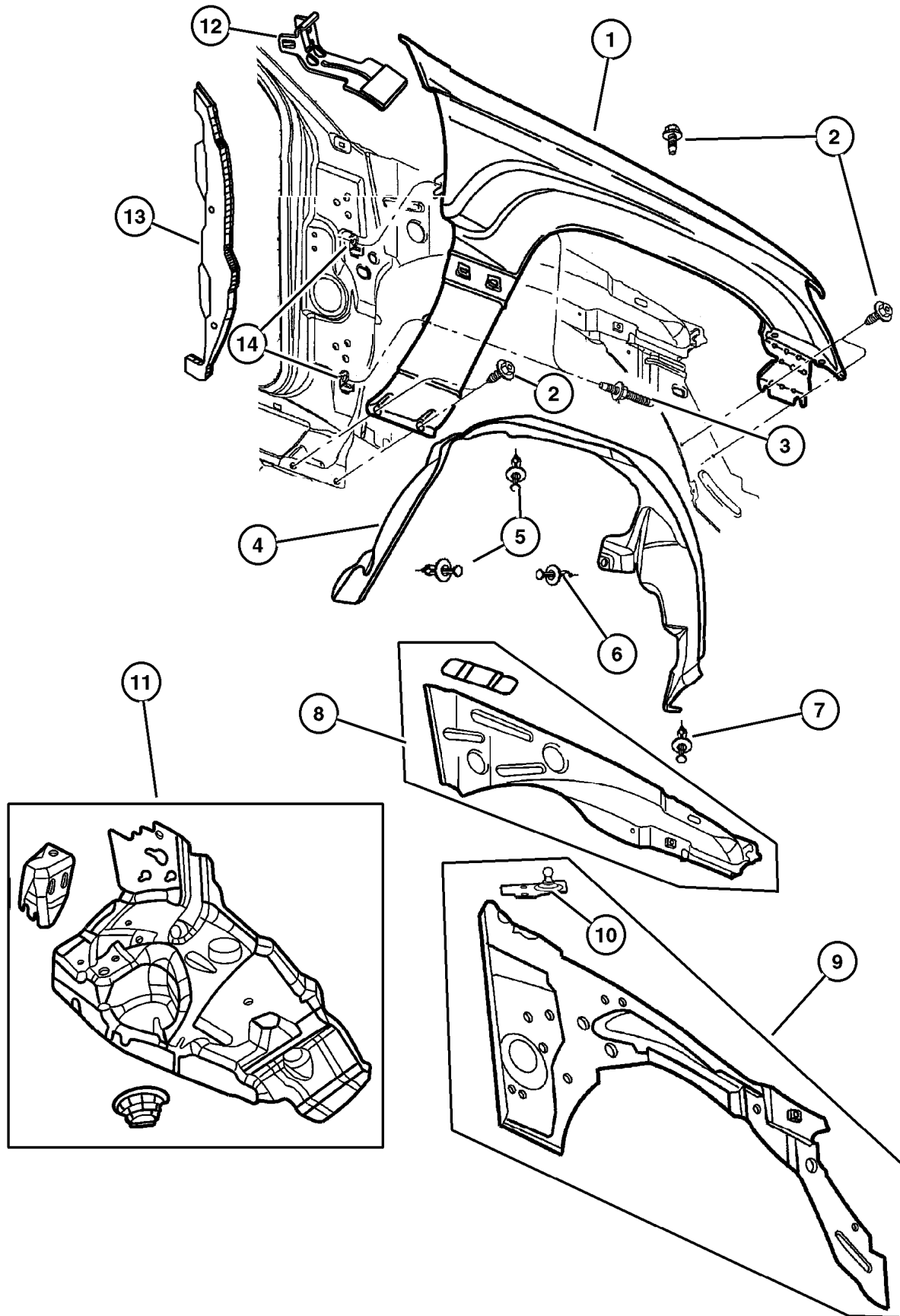
JEEP GRAND CHEROKEE (WJ)

SERIES	LINE	BODY	ENGINE	TRANSMISSION
H = Laredo	J = 4WD	74 = 4 Door	ERH = 4.0L, Power Tech I-6	DGK = 4 Speed Autm, 42RE
M = Sport	T = 2WD		EVA = 4.7L, Power Tech V8	DGQ = 5 Speed Automatic, 45RFE
P = Limited			EVC = 4.7L HO V8 MPI	DG0 = All Automatic Transm
S = Overland			ERO = All 4.0L 6 Cyl Gas	
			EVO = All 4.7I Gas	

AR = Use as required - = Non illustrated part # = New this model year

May 1, 2002

Front Fender
Figure SWJ-410



ITEM	PART NUMBER	QTY	LINE	BODY	DESCRIPTION
1					FENDER, Front
	55135 900AC	1			Right
	55135 901AC	1			Left
2					SCREW, M6X1.00X20.00~~, (NOT SERVICED)
3					STUD, Double Ended, M6X1.00X57.00~~, (NOT SERVICED)
4					LINER, Front Fender
	55136 228AB	1			Right
	55136 229AB	1			Left
5	6034 608	4			PIN, Headline
6	3420 1631	6			RIVET, M6.25x28 Black
7	6506 293AA	12			PIN, Push
8					REINFORCEMENT, Cowl Side
	55136 354AH	1			Right
	55136 355AH	1			Left
9					PANEL, Cowl
	55135 442AE	1			Right
	55135 443AE	1			Left
10					BRACKET, Ball to Body
	5513 6434	1			Right
	5513 6435	1			Left
11					SUPPORT, Front Suspension
	5017 481AC	1			Right
	5017 504AD	1			Left
12	55136 774AA	2			BRACKET, Fender
13					FILLER, Fender to Wheelhouse
	55135 793AC	1			Left
	55135 866AC	1			Right
14	55136 586AB	4			BRACKET, Fender

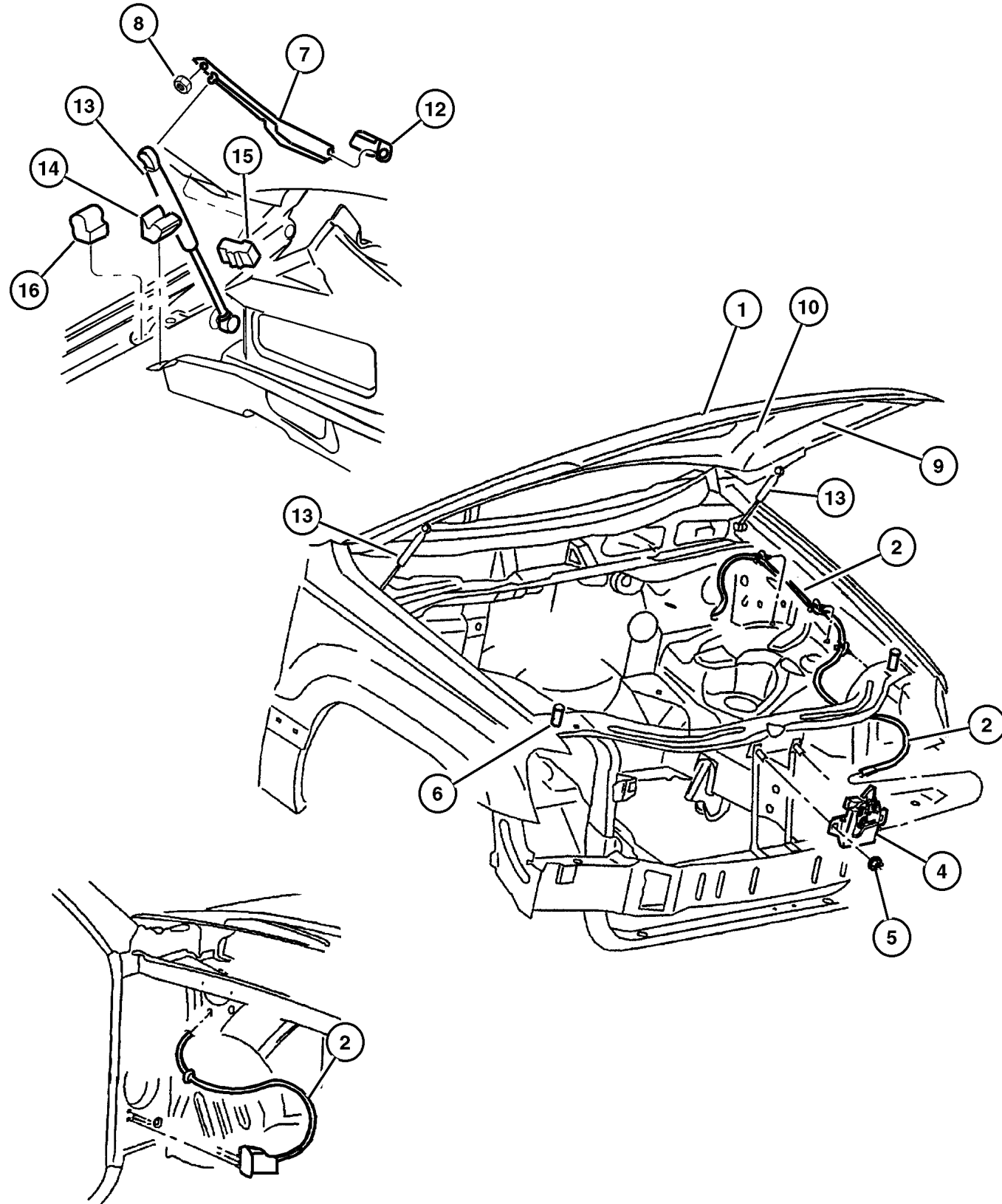
JEEP GRAND CHEROKEE (WJ)

SERIES	LINE	BODY	ENGINE	TRANSMISSION
H = Laredo	J = 4WD	74 = 4 Door	ERH = 4.0L, Power Tech I-6	DGK = 4 Speed Autm, 42RE
M = Sport	T = 2WD		EVA = 4.7L, Power Tech V8	DGQ = 5 Speed Automatic, 45RFE
P = Limited			EVC = 4.7L HO V8 MPI	DG0 = All Automatic Transm
S = Overland			ERO = All 4.0L 6 Cyl Gas	
			EVO = All 4.7l Gas	

AR = Use as required - = Non illustrated part # = New this model year

May 1, 2002

Hood, Latch, Hinges Figure SWJ-510



ITEM	PART NUMBER	QTY	LINE	BODY	DESCRIPTION
1	55076 470AE	1			HOOD
2	5513 5532	1			CABLE, Hood Release
-3	6503 794	3			CLIP, M6.3x11.2
4	5513 5600	1			LATCH, Hood
5	6101 446	2			NUT AND WASHER
6	4103 165	2			BUMPER, Hood
7					HINGE, Hood
	55256 196AB	1			Right
	55256 197AB	1			Left
8	6503 664	4			NUT AND WASHER, Hex Nut-Coned Washer, M6 x 1.00
9	55196 298AD	1			INSULATION, Hood
10	#55116 809AA	1			LABEL, Refrigerant
-11	6003 351	12			RETAINER, Hood Insulation, .415x.690
12					COVER, Hinge
	55156 110AB	1			Right
	55156 111AB	1			Left
13	55136 764AA	2			PROP, Hood
14	55363 119AA	2			SEAL, Hood, Lower
15	55136 549AA	2			SEAL, Hood, Upper
16	55136 550AA	2			SEAL, Hood, Outer

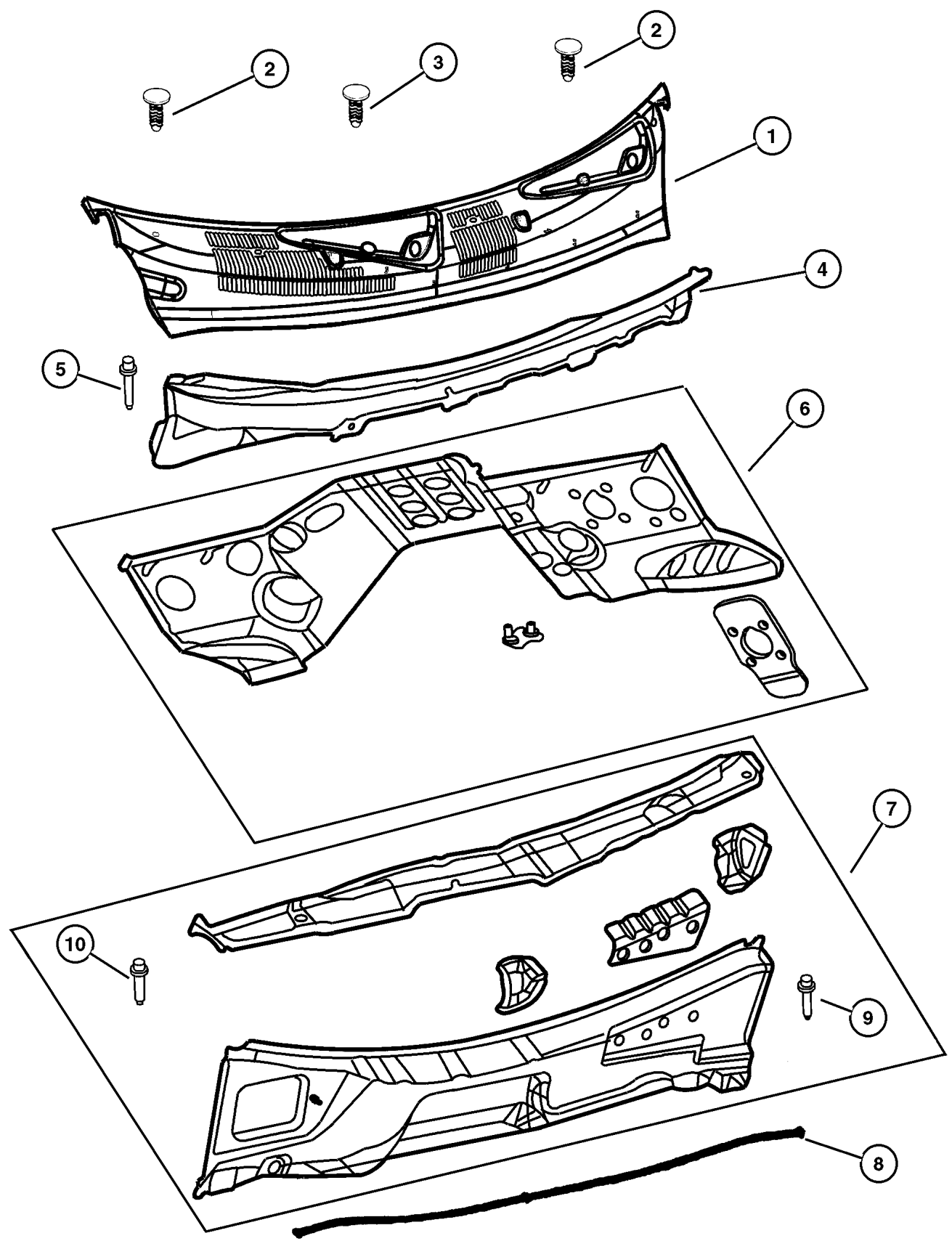
JEEP GRAND CHEROKEE (WJ)

SERIES	LINE	BODY	ENGINE	TRANSMISSION
H = Laredo	J = 4WD	74 = 4 Door	ERH = 4.0L, Power Tech I-6	DGK = 4 Speed Autm, 42RE
M = Sport	T = 2WD		EVA = 4.7L, Power Tech V8	DGQ = 5 Speed Automatic, 45RFE
P = Limited			EVC = 4.7L HO V8 MPI	DG0 = All Automatic Transm
S = Overland			ERO = All 4.0L 6 Cyl Gas	
			EVO = All 4.7L Gas	

AR = Use as required - = Non illustrated part # = New this model year

May 1, 2002

**Panels, Cowl and Dash
Figure SWJ-610**



ITEM	PART NUMBER	QTY	LINE	BODY	DESCRIPTION
1	55155 355AB	1			COVER, Cowl Grille
2	6505 319AA	4			NUT, M6x1.00
3	6503 339	2			NUT, Plastic
4	55135 369AC	1			PANEL, Cowl Top
5	6505 511AA	4			STUD
6	#55135 358AC	1			PANEL, Dash
7	55135 451AD	1			PANEL, Cowl And Plenum
8	55135 392AB	1			SEAL, Hood To Plenum
9	6504 758	3			STUD, M8x
10	6504 952AA	3			STUD

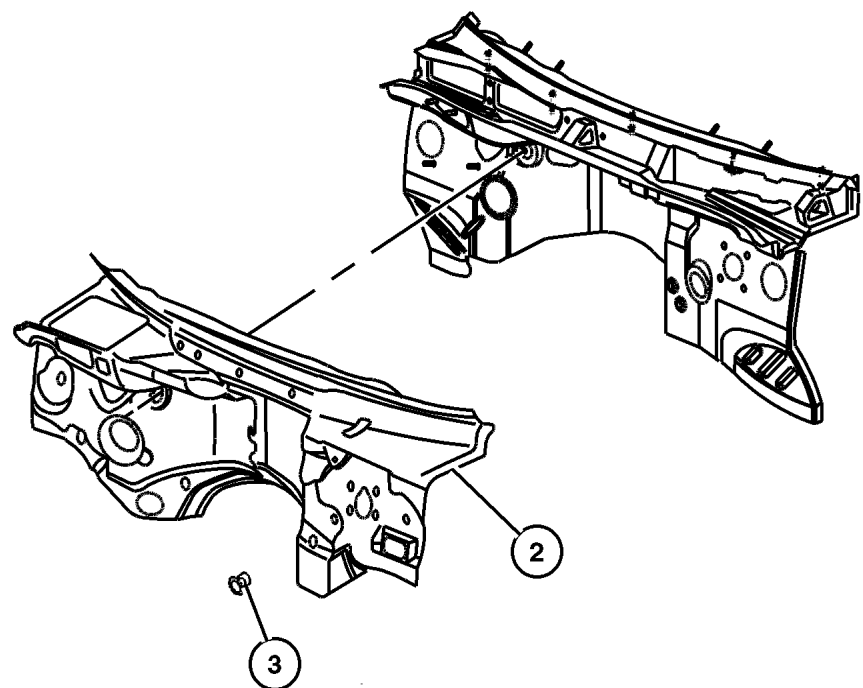
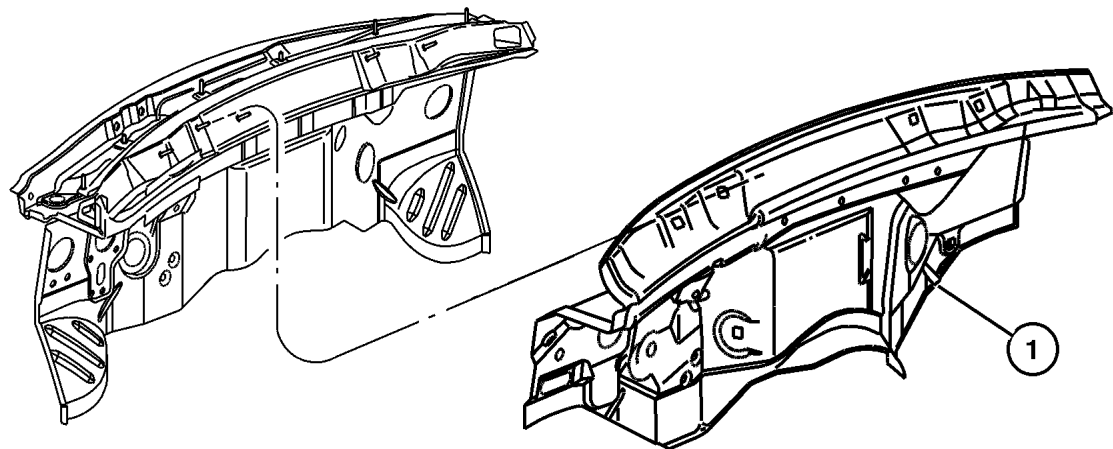
JEEP GRAND CHEROKEE (WJ)

SERIES	LINE	BODY	ENGINE	TRANSMISSION
H = Laredo	J = 4WD	74 = 4 Door	ERH = 4.0L, Power Tech I-6	DGK = 4 Speed Autm, 42RE
M = Sport	T = 2WD		EVA = 4.7L, Power Tech V8	DGQ = 5 Speed Automatic, 45RFE
P = Limited			EVC = 4.7L HO V8 MPI	DG0 = All Automatic Transm
S = Overland			ERO = All 4.0L 6 Cyl Gas	
			EVO = All 4.7I Gas	

AR = Use as required - = Non illustrated part # = New this model year

**Insulation, Dash And Cowl
Figure SWJ-620**

ITEM	PART NUMBER	QTY	LINE	BODY	DESCRIPTION
1	#55196 892AB	1			INSULATION, Dash Panel
2	#55196 836AB	1			INSULATION, Dash Panel
3	6503 274	3			NUT, Push On

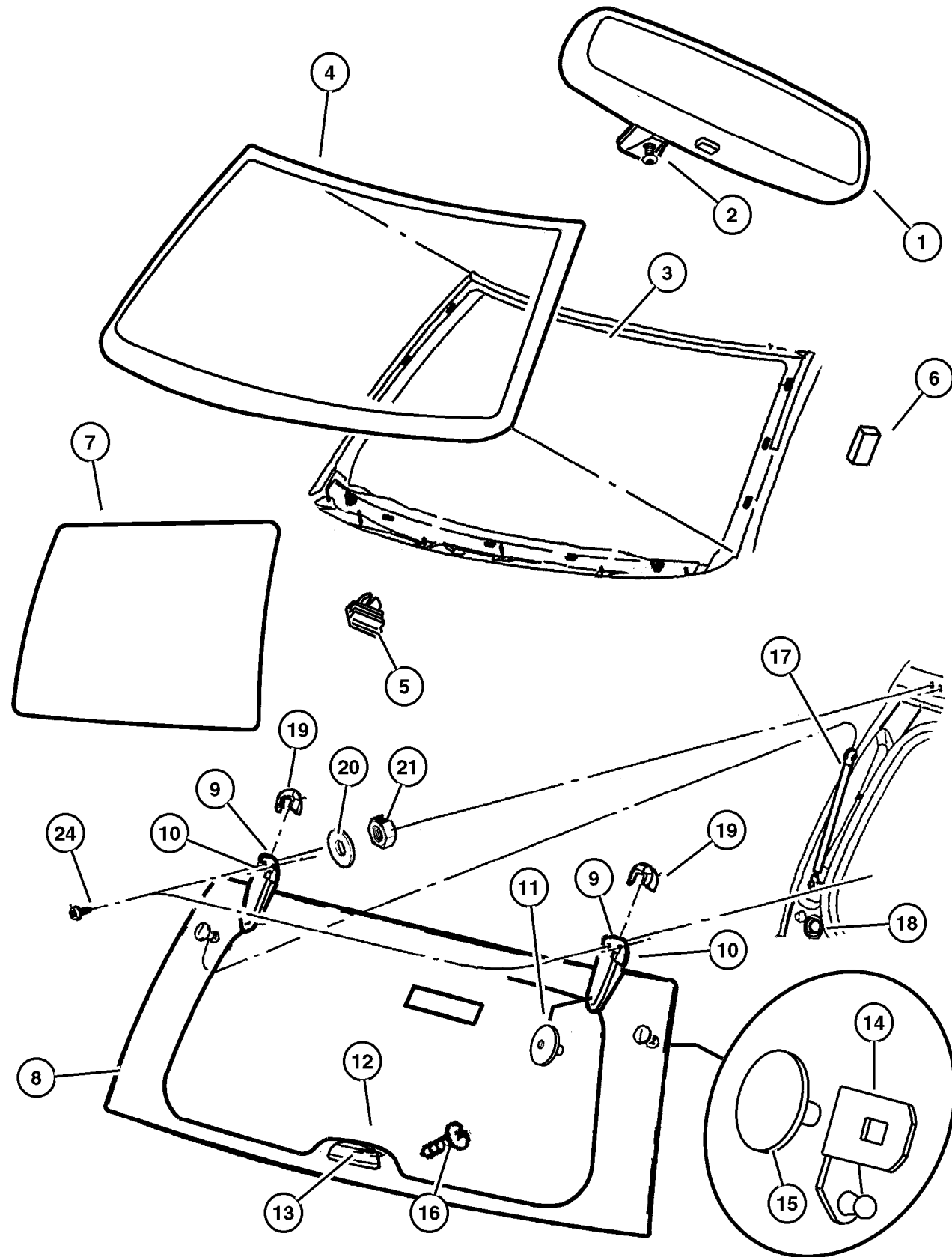


JEEP GRAND CHEROKEE (WJ)				
SERIES	LINE	BODY	ENGINE	TRANSMISSION
H = Laredo	J = 4WD	74 = 4 Door	ERH = 4.0L, Power Tech I-6	DGK = 4 Speed Autm, 42RE
M = Sport	T = 2WD		EVA = 4.7L, Power Tech V8	DGQ = 5 Speed Automatic, 45RFE
P = Limited			EVC = 4.7L HO V8 MPI	DG0 = All Automatic Transm
S = Overland			ERO = All 4.0L 6 Cyl Gas	
			EVO = All 4.7l Gas	

AR = Use as required - = Non illustrated part # = New this model year

May 1, 2002

Glass, Windshield, Backlite, Quarter Window, Rear View Mirror
Figure SWJ-710



ITEM	PART NUMBER	QTY	LINE	BODY	DESCRIPTION
1					MIRROR, Inside Rear View
	55155 380AB	1			Automatic
	4805 332AB	1			Prismatic
2	6031 094	1			SCREW, Pan Head Tapping, .19-16x.375
3	5507 6401	1			BUTTON, Rear View Mirror
4					WINDSHIELD
	5017 527AA	1			25-Lite Pack
	#5080 595AA	1			With Rain Sensor, 25-Lite Pack
5	5502 8214	9			SPACER, Windshield
6	55275 388AC	2			SPACER, Windshield
7					GLASS, Quarter Window
	55135 808AD	1			Right
	55135 809AD	1			Left
8	55136 980AB	1			GLASS, Liftgate Flipper
9					HINGE, Liftglass
	5019 418AA	1			Right
	5019 419AA	1			Left
10	5507 5164	4			GASKET, Liftgate Hinge
11	6502 900	2			SCREW, Special Head, M6x1x12.7, Hinge to Glass
12	5513 6045	1			GASKET, Liftgate Handle
13	5513 6048	1			HANDLE, Flipper Window
14					BALL STUD, Liftgate Glass
	55136 968AA	1			Right
	55136 969AA	1			Left
15	6506 200AA	2			FASTENER
16	6035 479	2			SCREW AND WASHER
17	55136 965AA	2			GAS CYLINDER, Liftgate Glass
18	55136 845AA	2			BUMPER, Liftgate Glass
19					COVER, Hinge
	4717 486AB	1			Right
	4717 487AB	1			Left
20	5529 5914	4			GASKET, Ball Stud
21	6504 513	1			NUT AND WASHER, Hex Nut-Coned Washer, M6 x 1.00
-22	5513 6044	1			STRIKER, Liftgate Glass
-23	5507 6299	2			CAP, Lock Cylinder, Locks Prop Rod
24	#6505 440AA	4			SCREW

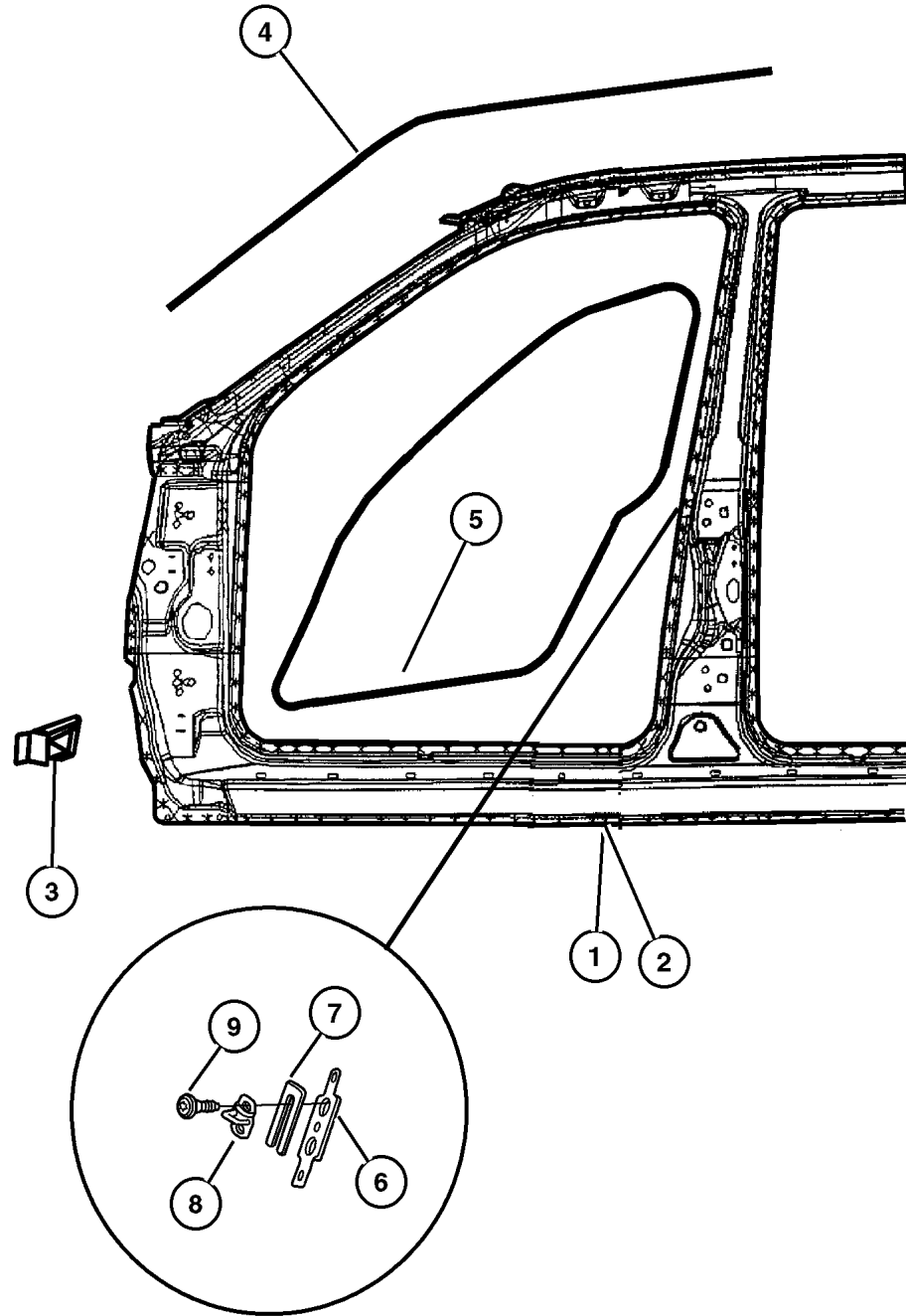
JEEP GRAND CHEROKEE (WJ)

SERIES	LINE	BODY	ENGINE	TRANSMISSION
H = Laredo	J = 4WD	74 = 4 Door	ERH = 4.0L, Power Tech I-6	DGK = 4 Speed Autm, 42RE
M = Sport	T = 2WD		EVA = 4.7L, Power Tech V8	DGQ = 5 Speed Automatic, 45RFE
P = Limited			EVC = 4.7L HO V8 MPI	DG0 = All Automatic Transm
S = Overland			ERO = All 4.0L 6 Cyl Gas	
			EVO = All 4.7I Gas	

AR = Use as required - = Non illustrated part # = New this model year

May 1, 2002

Panels, Body Side
Figure SWJ-810



ITEM	PART NUMBER	QTY	LINE	BODY	DESCRIPTION
1					PANEL, Body Side Aperture Front, Complete
	#5083 300AA	1			Right
	#5083 301AA	1			Left
2					PANEL, Body Side Aperture, Outer
	5083 360AA	1			Right
	5083 361AA	1			Left
3					TAPPING PLATE, Door Hinge, Also serviced in Item #1
	55136 436AB	1			Right
	55136 437AB	1			Left
4					SEAL, Body Side
	55135 869AC	1			Upper Right
	55135 872AC	1			Upper Left
5					SEAL, Front Door
	#55135 918AG	1			Right
	#55135 919AG	1			Left
6	55135 503AB	2			TAPPING PLATE, Striker
7	4520 289	AR			SPACER, Door Latch Striker
8	4780 607AA	2			STRIKER, Door
9	6506 749AA	4			SCREW, 6 Lobed

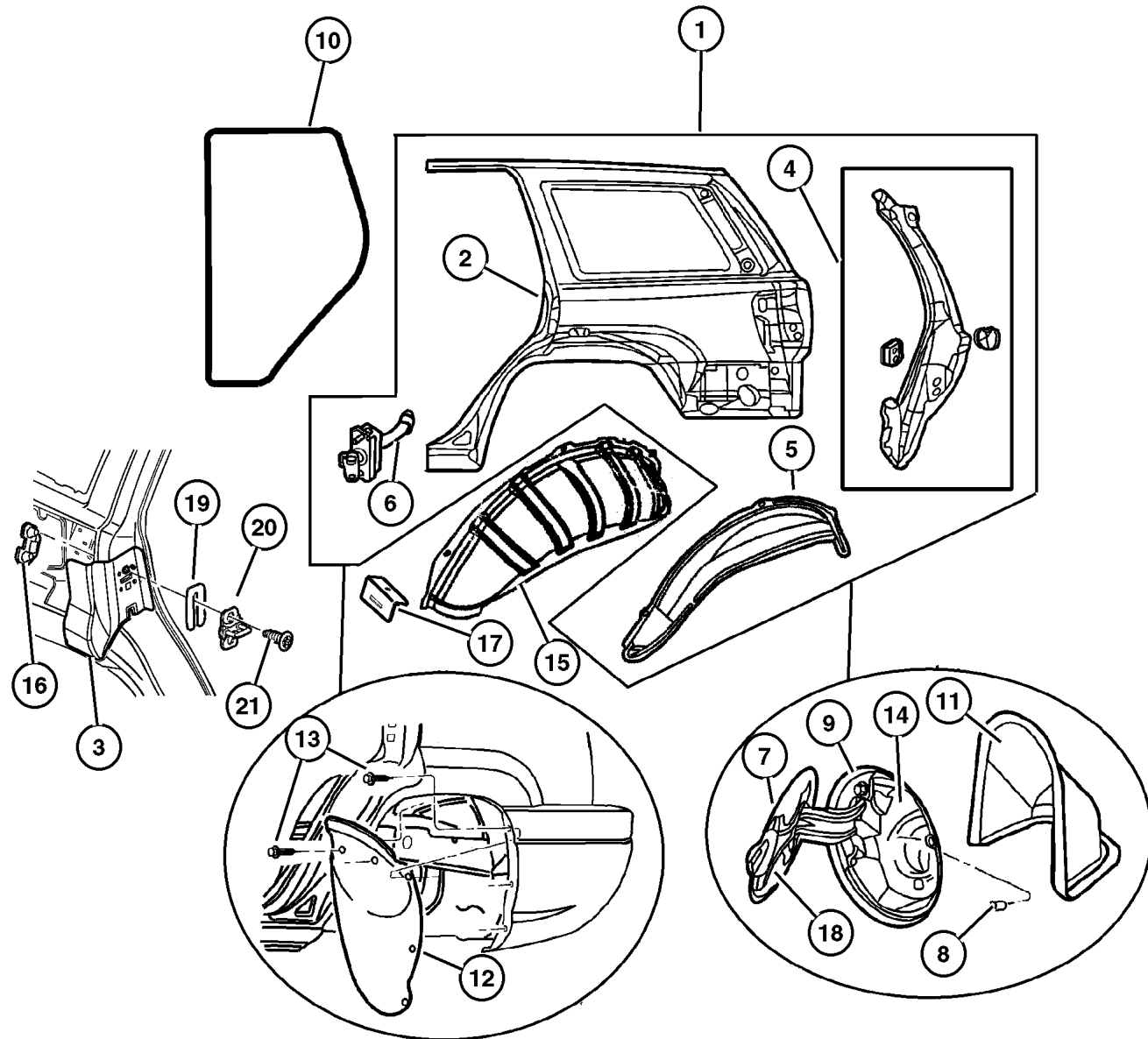
JEEP GRAND CHEROKEE (WJ)

SERIES	LINE	BODY	ENGINE	TRANSMISSION
H = Laredo	J = 4WD	74 = 4 Door	ERH = 4.0L, Power Tech I-6	DGK = 4 Speed Autm, 42RE
M = Sport	T = 2WD		EVA = 4.7L, Power Tech V8	DGQ = 5 Speed Automatic, 45RFE
P = Limited			EVC = 4.7L HO V8 MPI	DG0 = All Automatic Transm
S = Overland			ERO = All 4.0L 6 Cyl Gas	
			EVO = All 4.7l Gas	

AR = Use as required - = Non illustrated part # = New this model year

May 1, 2002

**Panels, Rear Quarter
Figure SWJ-910**



ITEM	PART NUMBER	QTY	LINE	BODY	DESCRIPTION
1					PANEL, Body Side Aperture Rear, Complete, Includes Tailamp Pocket
	#5083 110AA	1			Right
	#5083 111AA	1			Left
2					PANEL, Quarter, Outer Only, Includes Tailamp Pocket
	5017 866AB	1			Right
	5017 867AB	1			Left
3					REINFORCEMENT, Door Striker
	55135 508AC	1			Right
	55135 509AC	1			Left
4					TROUGH, Liftgate Opening
	55135 428AC	1			Right
	55135 429AC	1			Left
5					PANEL, Rear Wheelhouse
	55136 546AB	1			Right
	55136 547AB	1			Left
6					CHECK, Rear Door
	55135 658AB	1			Right
	55135 659AB	1			Left
7	55135 514AB	1			DOOR, Fuel Fill
8	55135 519AB	2			BUMPER, Fuel Door
9	6504 946AA	2			SCREW, Hex Flange Head, M6x1.0x16.0
10					SEAL, Rear Door
	#55135 958AG	1			Right
	#55135 959AG	1			Left
11					REINFORCEMENT, Fuel Filler Door
	55136 178AB	1			Inner
	55136 683AA	1			Outer
12					SHIELD, Splash
	55136 500AD	1			Right
	55136 501AD	1			Left
13	3420 1631	4			RIVET, M6.25x28 Black
14	55135 511AB	1			HOUSING, Fuel Filler
15					WHEELHOUSE, Rear Inner
	55136 996AA	1			Right
	55136 997AA	1			Left
16	4674 669	2			PLATE, Liftgate Striker
17	55136 998AA	2			BRACKET, Wheel House, Trim Panel Attach
18	#55295 856AC	2			LABEL, Fuel
19					SPACER, Door Latch Striker
	4520 289	AR			3.75 Thick
	5507 5483	AR			2.0 to 2.5 Thick

JEEP GRAND CHEROKEE (WJ)

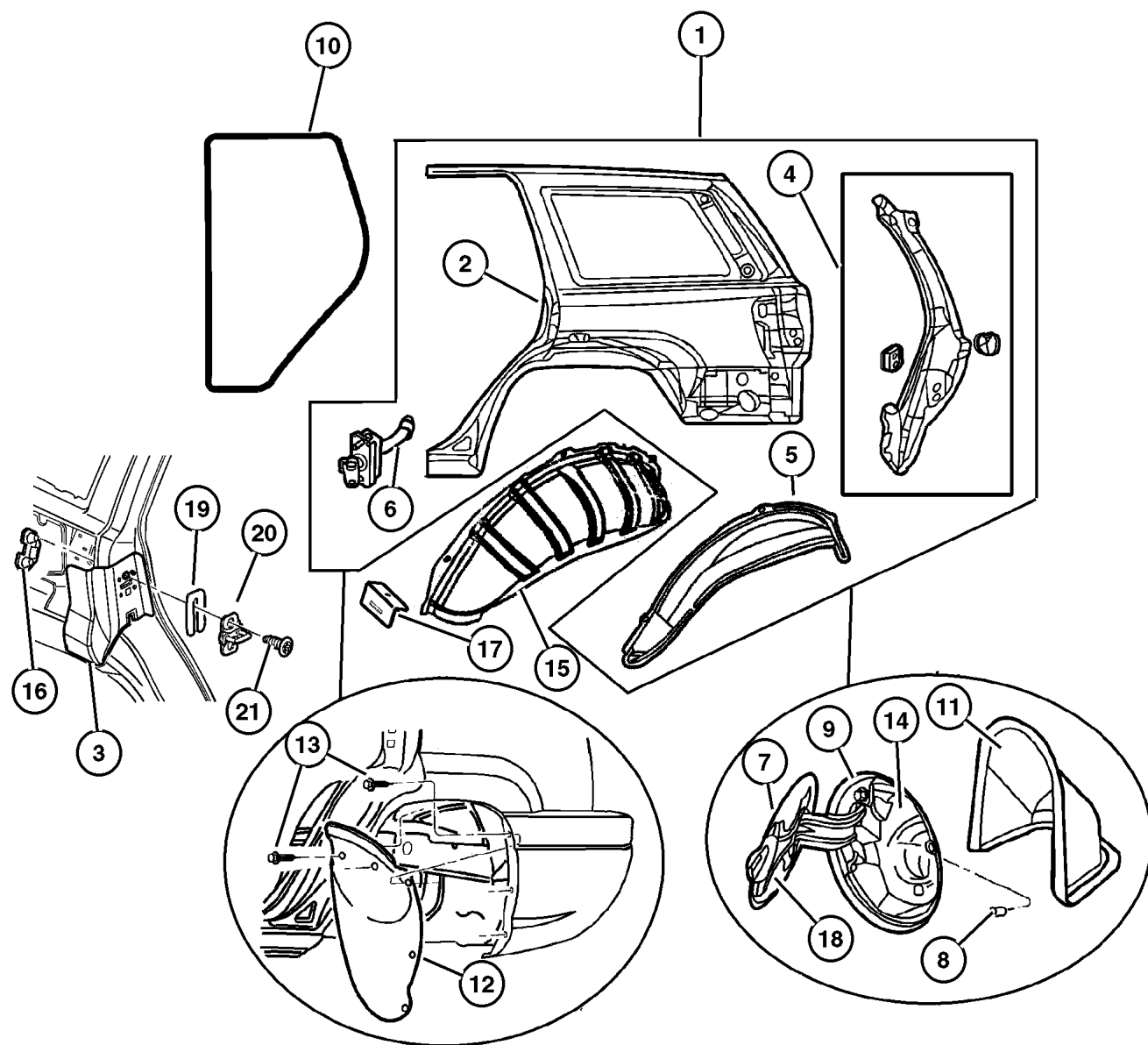
SERIES	LINE	BODY	ENGINE	TRANSMISSION
H = Laredo	J = 4WD	74 = 4 Door	ERH = 4.0L, Power Tech I-6	DGK = 4 Speed Autm, 42RE
M = Sport	T = 2WD		EVA = 4.7L, Power Tech V8	DGQ = 5 Speed Automatic, 45RFE
P = Limited			EVC = 4.7L HO V8 MPI	DG0 = All Automatic Transm
S = Overland			ERO = All 4.0L 6 Cyl Gas	
			EVO = All 4.7L Gas	

AR = Use as required - = Non illustrated part # = New this model year

May 1, 2002

Panels, Rear Quarter
Figure SWJ-910

ITEM	PART NUMBER	QTY	LINE	BODY	DESCRIPTION
20	4780 607AA	2			STRIKER, Door
21	6504 573	4			SCREW, Oval Head, SCREW



JEEP GRAND CHEROKEE (WJ)

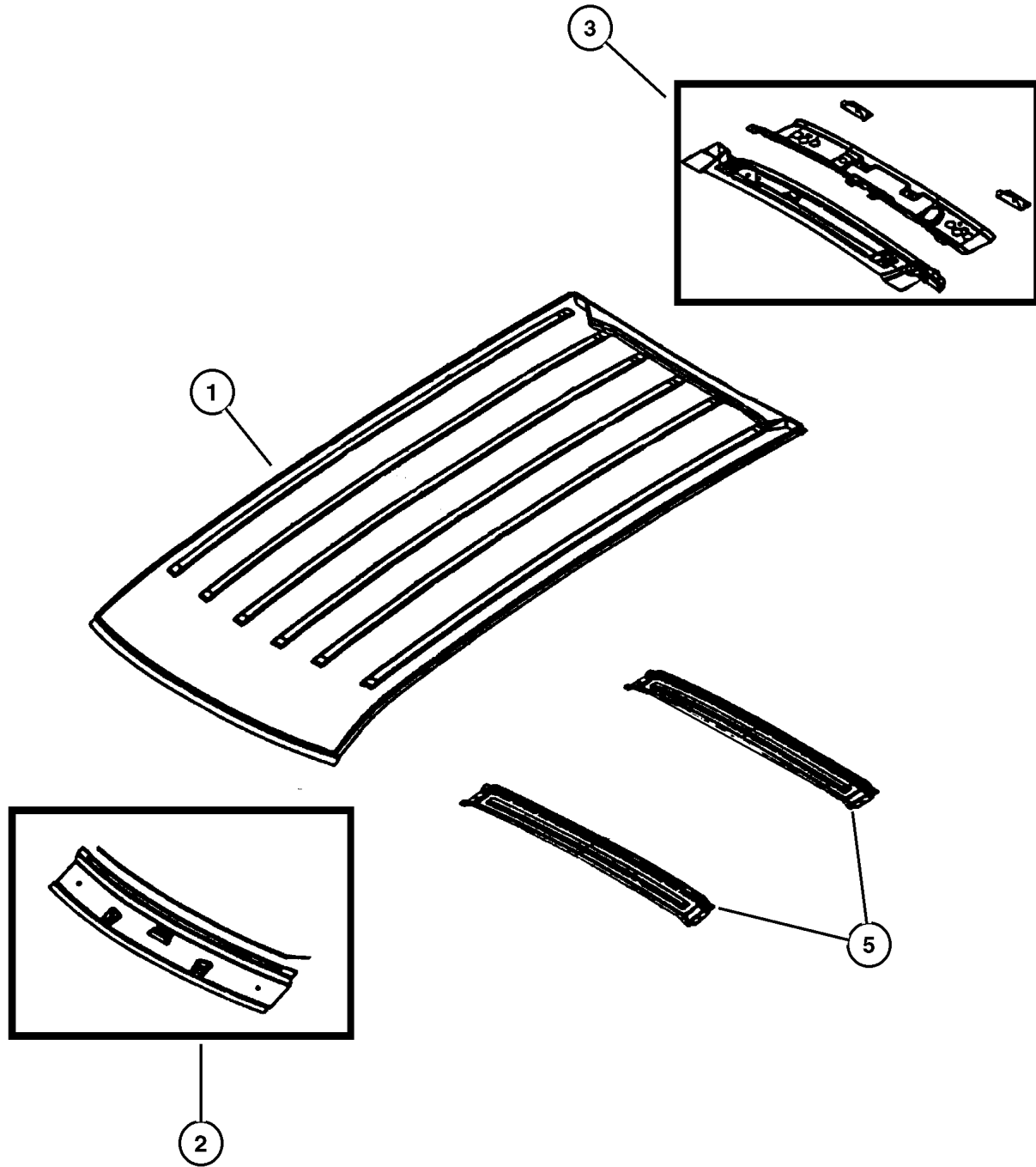
SERIES	LINE	BODY	ENGINE	TRANSMISSION
H = Laredo	J = 4WD	74 = 4 Door	ERH = 4.0L, Power Tech I-6	DGK = 4 Speed Autm, 42RE
M = Sport	T = 2WD		EVA = 4.7L, Power Tech V8	DGQ = 5 Speed Automatic, 45RFE
P = Limited			EVC = 4.7L HO V8 MPI	DG0 = All Automatic Transm
S = Overland			ERO = All 4.0L 6 Cyl Gas	
			EVO = All 4.7I Gas	

AR = Use as required - = Non illustrated part # = New this model year

May 1, 2002

Panels, Roof
Figure SWJ-1110

ITEM	PART NUMBER	QTY	LINE	BODY	DESCRIPTION
1					PANEL, Roof
	55135 461AC	1			With Sunroof
	55135 404AC	1			Without Sunroof
2	55135 545AB	1			HEADER, Roof Front, Front
3	55135 523AD	1			HEADER, Panel, Rear
-4					PIN, Headline
	6034 608	4			Roof Bow Attach
		2			Front Header Attach
		2			Rear Header Attach
5	55135 424AD	2			BOW, Roof



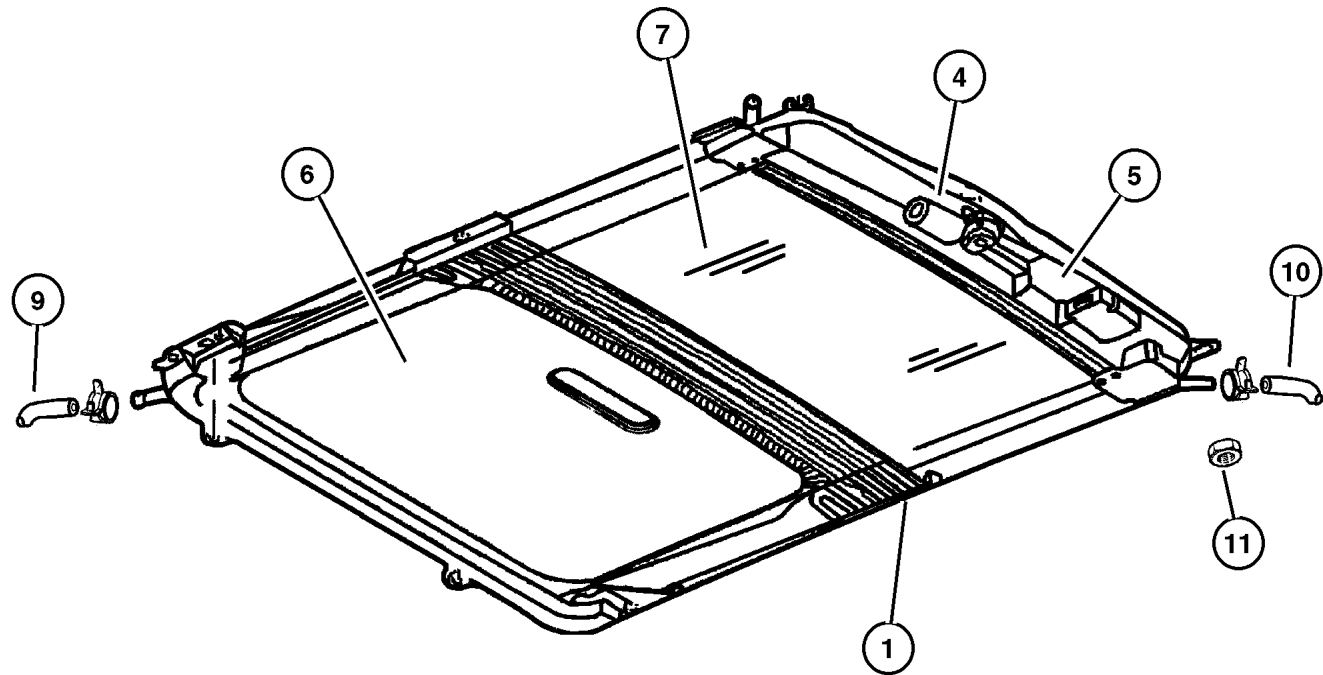
JEEP GRAND CHEROKEE (WJ)				
SERIES	LINE	BODY	ENGINE	TRANSMISSION
H = Laredo	J = 4WD	74 = 4 Door	ERH = 4.0L, Power Tech I-6	DGK = 4 Speed Autm, 42RE
M = Sport	T = 2WD		EVA = 4.7L, Power Tech V8	DGQ = 5 Speed Automatic, 45RFE
P = Limited			EVC = 4.7L HO V8 MPI	DG0 = All Automatic Transm
S = Overland			ERO = All 4.0L 6 Cyl Gas	
			EVO = All 4.7I Gas	

AR = Use as required - = Non illustrated part # = New this model year

May 1, 2002

**Sunroof
Figure SWJ-1210**

ITEM	PART NUMBER	QTY	LINE	BODY	DESCRIPTION
1	5012 772AA	1			MODULE, Sunroof
-2	5012 765AA	1			DEFLECTOR, Sunroof Wind
-3	5012 769AA	1			CHANNEL, Sunroof Drain
4	5012 768AA	1			MOTOR, Sunroof
5	5012 771AB	1			CONTROL UNIT, Sunroof
6					SUNSHADE, Sunroof
	5EZ11 TL2AB	1			[DV]
	5EZ11 XDBAB	1			[DB]
	5EZ11 XT5AB	1			[T5]
7	55135 858AB	1			GLASS, Sunroof
-8	5012 773AA	1			GUIDE, Sunroof Lid
9					HOSE, Sunroof Drain
	55136 967AD	1			Front Left
	#55137 396AA	1			Front Right
10	#55137 274AA	2			HOSE, Sunroof Drain, Rear
11	6503 504	2			NUT AND WASHER, Hex, M6x1
-12	4814 215	1			GROMMET, Tube
-13	6502 843	9			NUT AND WASHER, Hex Nut-Coned Washer, M6 x 1.00, Sunroof to Roof Reinforcement Attach
-14	4805 378AB	2			CLIP, Tube, Sunroof Drain Hose Attach

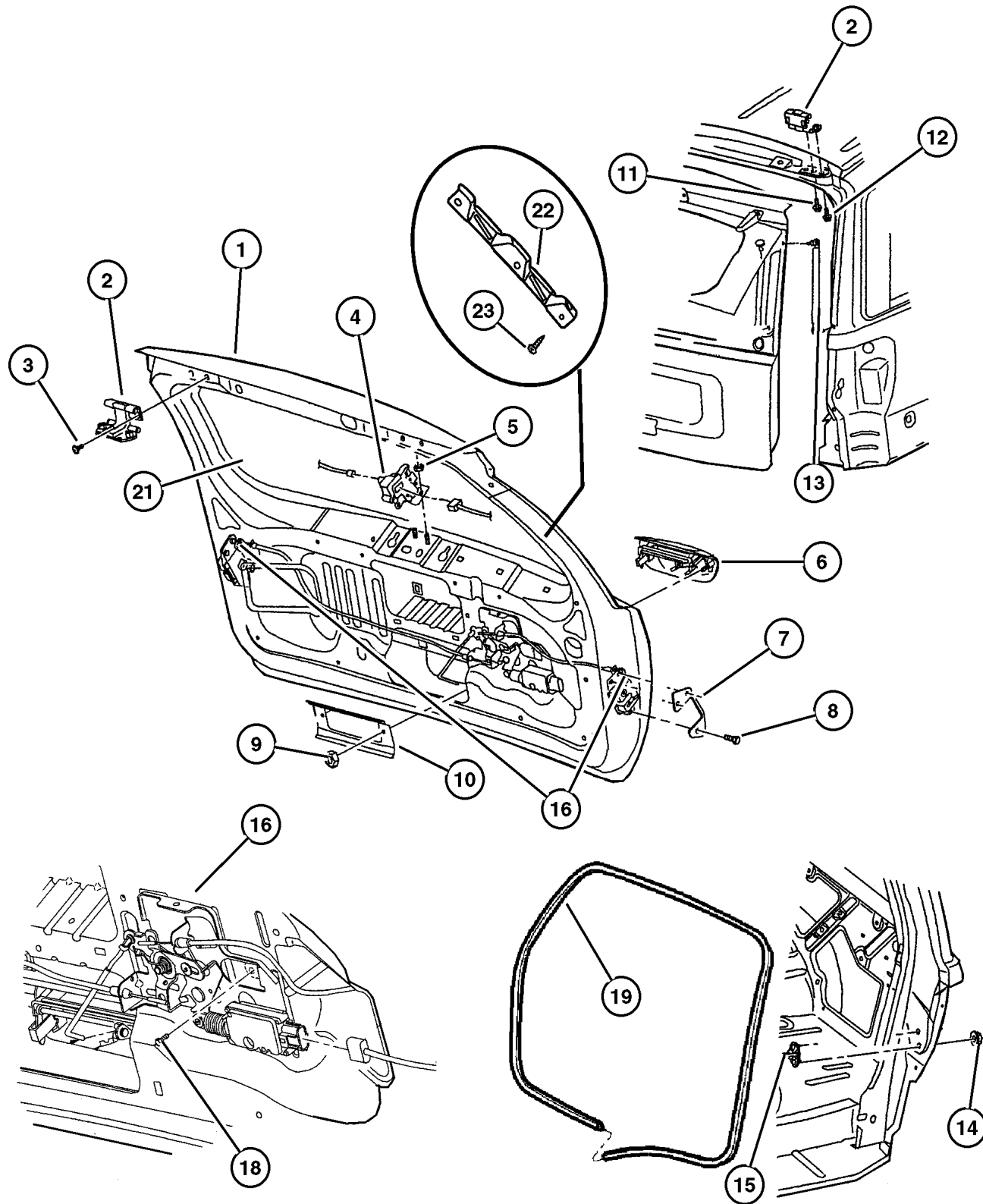


JEEP GRAND CHEROKEE (WJ)				
SERIES	LINE	BODY	ENGINE	TRANSMISSION
H = Laredo	J = 4WD	74 = 4 Door	ERH = 4.0L, Power Tech I-6	DGK = 4 Speed Autm, 42RE
M = Sport	T = 2WD		EVA = 4.7L, Power Tech V8	DGQ = 5 Speed Automatic, 45RFE
P = Limited			EVC = 4.7L HO V8 MPI	DG0 = All Automatic Transm
S = Overland			ERO = All 4.0L 6 Cyl Gas	
			EVO = All 4.7l Gas	

AR = Use as required - = Non illustrated part # = New this model year

May 1, 2002

Liftgate, Latch and Hinges
Figure SWJ-1310



ITEM	PART NUMBER	QTY	LINE	BODY	DESCRIPTION
1	55256 177AC	1			PANEL, Liftgate
2	55257 015AB	2			HINGE, Liftgate
3					SCREW AND WASHER, Hex Head, M8-1.25x30, (NOT SERVICED)
4	55136 740AA	1			LATCH, Liftgate Glass
5	6503 102	2			NUT AND WASHER, Hex Nut-Coned Washer, M6 x 1.00
6					HANDLE, Liftgate
	55136 699AC	1			Black, Laredo
	5GD47 AXRAC	1			[XR], Limited
	5GD47 DX8AC	1			[X8], Limited
		1			[X8], Laredo
	5GD47 SW1AC	1			[W1], Limited
		1			[W1], Laredo
	5GD47 WBTAC	1			[BT], Limited
		1			[BT], Laredo
	5GD47 WELAC	1			[EL], Overland
		1			[EL], Limited
		1			[EL], Laredo
	5GD47 WSBAC	1			[SB], Limited
		1			[SB], Overland
	5GD47 XBQAC	1			[BQ], Laredo
		1			[BQ], Limited
	5GD47 XRVAC	1			[RV], Limited
		1			[RV], Laredo
	5GD47 XS5AC	1			[S5], Limited
		1			[S5], Laredo
		1			[S5], Overland
	5GD47 YFFAC	1			[FF], Limited
	5GD47 YJRAC	1			[JR], Overland
		1			[JR], Limited
		1			[JR], Laredo
	5GD47 YUBAC	1			[UB], Laredo
		1			[UB], Limited
	5GD47 ZDRAC	1			[DR], Limited
		1			[DR], Laredo
		1			[DR], Overland
7					PLATE, Liftgate Latch
	55136 910AB	1			Right
	55136 911AB	1			Left
8	6503 259	6			SCREW, Tapping, M6x1x20
9	6505 316AA	2			NUT
10	55136 696AB	1			BRACKET, Outside Door Handle

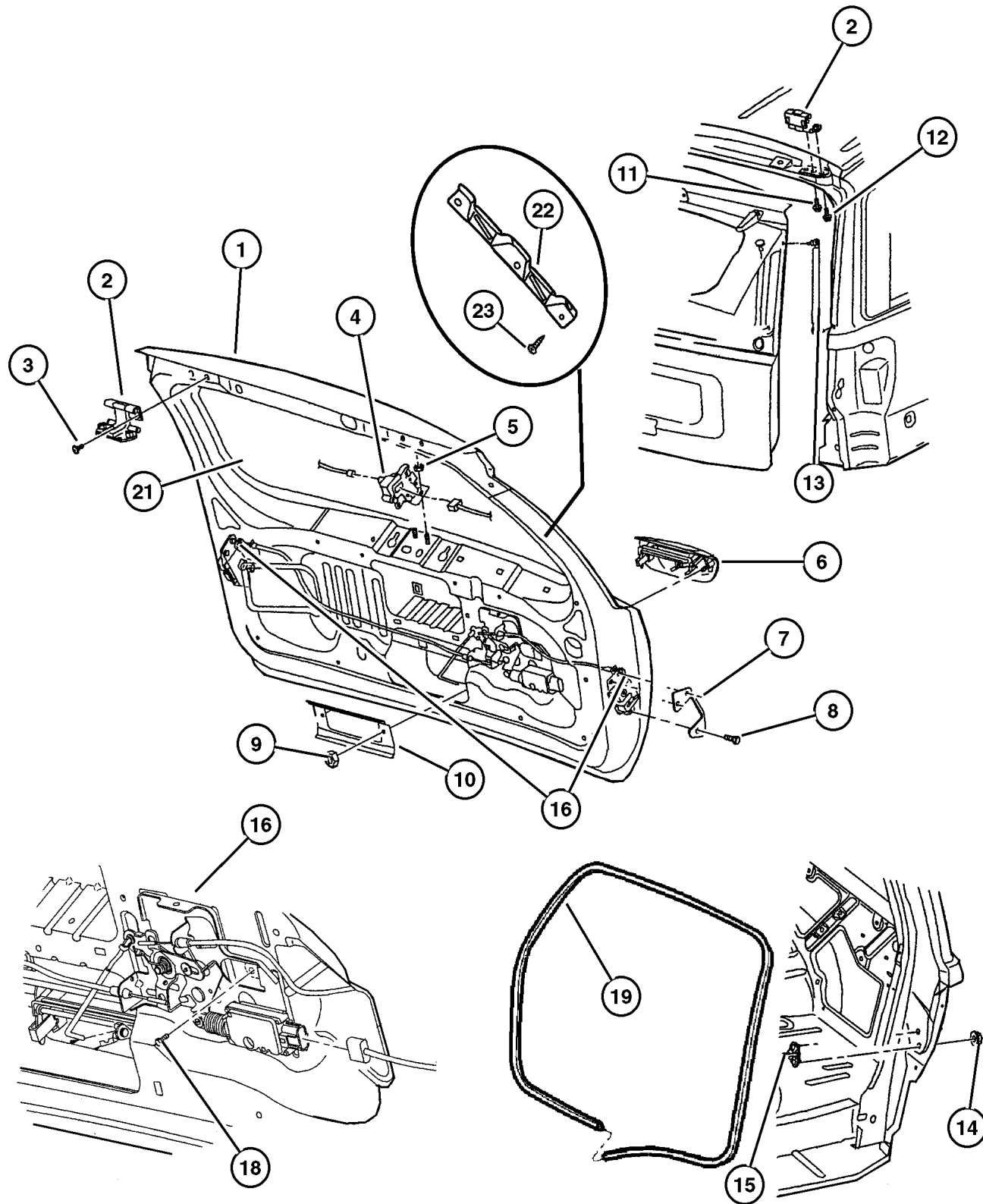
JEEP GRAND CHEROKEE (WJ)

SERIES	LINE	BODY	ENGINE	TRANSMISSION
H = Laredo	J = 4WD	74 = 4 Door	ERH = 4.0L, Power Tech I-6	DGK = 4 Speed Autm, 42RE
M = Sport	T = 2WD		EVA = 4.7L, Power Tech V8	DGQ = 5 Speed Automatic, 45RFE
P = Limited			EVC = 4.7L HO V8 MPI	DG0 = All Automatic Transm
S = Overland			ERO = All 4.0L 6 Cyl Gas	
			EVO = All 4.7L Gas	

AR = Use as required - = Non illustrated part # = New this model year

May 1, 2002

Liftgate, Latch and Hinges Figure SWJ-1310



ITEM	PART NUMBER	QTY	LINE	BODY	DESCRIPTION
11	6505 337AA	2			SCREW AND WASHER, Hex Head
12	6507 002AA	4			SCREW AND WASHER, Hex Head, M8x1.25x25
13	55137 022AB	1			SUPPORT, Liftgate Strut Right
	55137 023AB	1			Left
14	6503 533	4			SCREW, Flange Head, M8x1.25x26
15	55136 912AB	1			STRIKER, Liftgate Right
	55136 913AB	1			Left
16	55136 742AC	1			LATCH, Liftgate
-17	5018 479AA	1			ACTUATOR, Decklid Lock
18	6501 979	1			SCREW AND WASHER, Hex Head, M6x1x17
19	55135 388AC	1			SEAL, Liftgate
-20	6505 435AA	4			NUT, Plastic, License Plate Ataching
21	55363 160AB	1			WEATHERSTRIP, Liftgate Glass
22	55136 654AC	1			BRACKET, Liftgate Right
	55136 655AB	1			Left
23	6032 723	6			SCREW, Self Tapping, M4.2x1.69x19.05

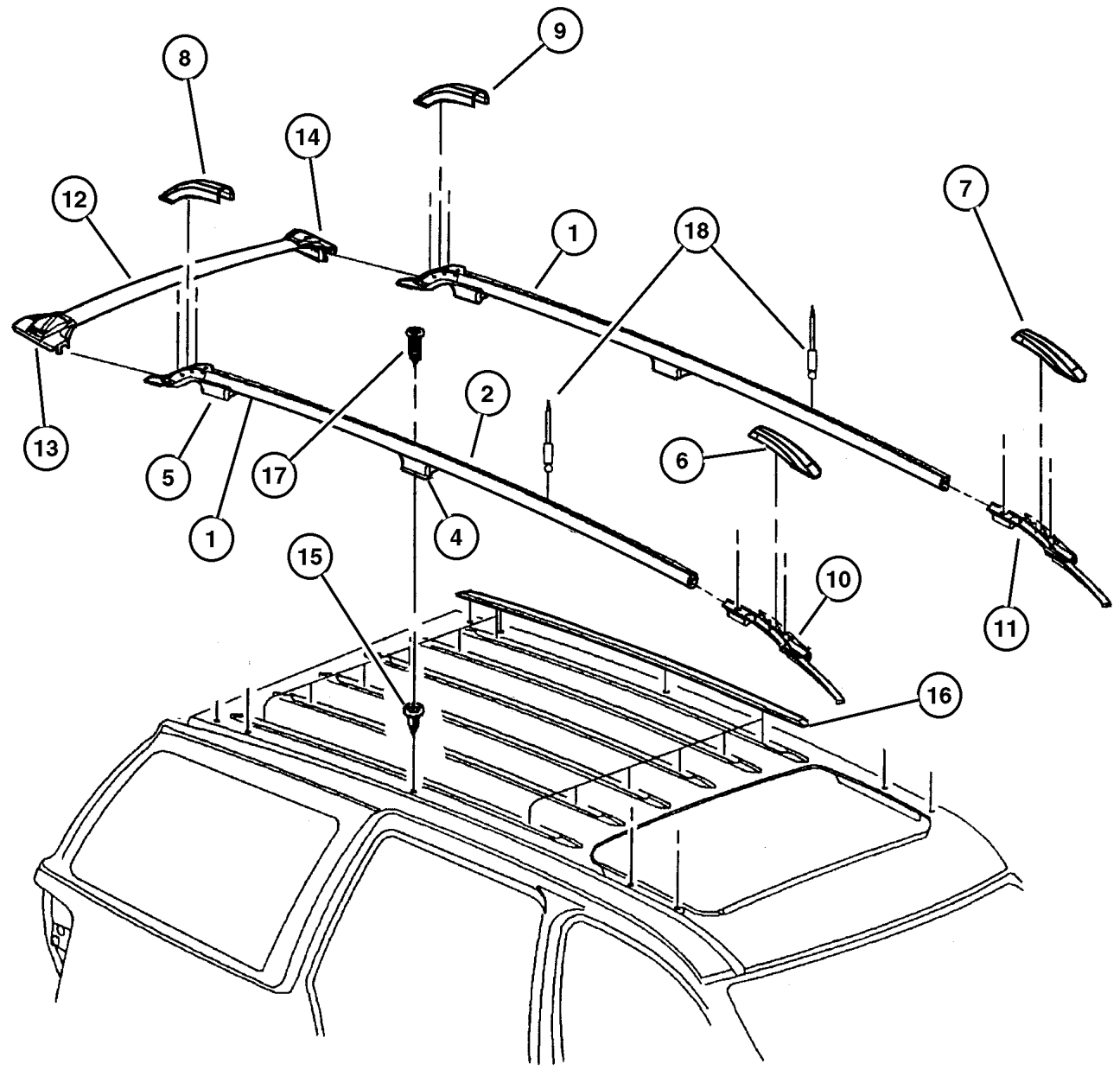
JEEP GRAND CHEROKEE (WJ)				
SERIES	LINE	BODY	ENGINE	TRANSMISSION
H = Laredo	J = 4WD	74 = 4 Door	ERH = 4.0L, Power Tech I-6	DGK = 4 Speed Autm, 42RE
M = Sport	T = 2WD		EVA = 4.7L, Power Tech V8	DGQ = 5 Speed Automatic, 45RFE
P = Limited			EVC = 4.7L HO V8 MPI	DG0 = All Automatic Transm
S = Overland			ERO = All 4.0L 6 Cyl Gas	
			EVO = All 4.7I Gas	

AR = Use as required - = Non illustrated part # = New this model year

May 1, 2002

Roof Rack Figure SWJ-1610

ITEM	PART NUMBER	QTY	LINE	BODY	DESCRIPTION
1					RAIL, Luggage Rack Side
	55136 848AB	1			Right
	55136 849AB	1			Left
2					SPACER
	55136 838AA	1			Right
	55136 839AA	1			Left
-3	55363 383AA	2			GASKET
4					SUPPORT, Luggage Rack
	55136 854AA	1			Right,Center
	55136 855AA	1			Left,Center
5					SUPPORT, Roof Rack
	55136 836AA	1			Right Rear
	55136 837AA	1			Left Rear
6	55135 970AB	1			CAP, Side Rail, Front,Right
7	55135 971AB	1			CAP, Side Rail, Front,Left
8	55136 576AA	1			CAP, Side Rail, Rear,Right
9	55136 577AA	1			CAP, Side Rail, Rear,Left
10	55136 952AC	1			SUPPORT, Roof Rack, Front,Right
11	55136 953AC	1			SUPPORT, Roof Rack, Front,Left
12	5017 213AA	2			CROSS RAIL, Roof Rack
13	55136 850AA	2			STANCHION, LUGG RACK CROSS RAIL, Right
14	55136 851AA	2			STANCHION, LUGG RACK CROSS RAIL, Left
15	6506 104AA	10			NUT
16	55135 987AB	6			SKID STRIP, Roof Rack
17					SCREW, Pan Head, M6x1.00x45.00, (NOT SERVICED)
18					



JEEP GRAND CHEROKEE (WJ)

SERIES	LINE	BODY	ENGINE	TRANSMISSION
H = Laredo	J = 4WD	74 = 4 Door	ERH = 4.0L, Power Tech I-6	DGK = 4 Speed Autm, 42RE
M = Sport	T = 2WD		EVA = 4.7L, Power Tech V8	DGQ = 5 Speed Automatic, 45RFE
P = Limited			EVC = 4.7L HO V8 MPI	DG0 = All Automatic Transm
S = Overland			ERO = All 4.0L 6 Cyl Gas	
			EVO = All 4.7l Gas	

AR = Use as required - = Non illustrated part # = New this model year

May 1, 2002